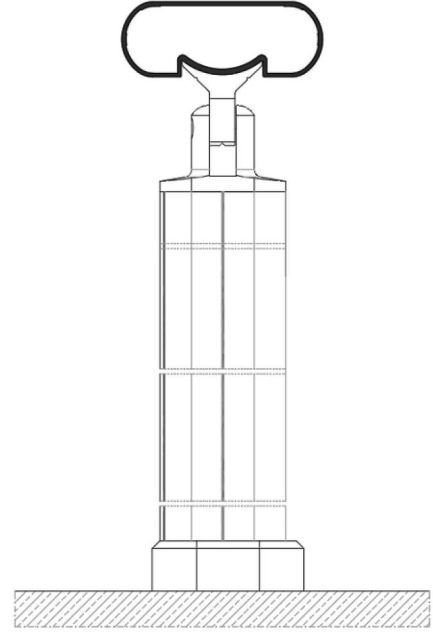


MİMARİ KATALOG
ARCHITECTURAL CATALOGUE

Alüminyum Konvansiyonel Sistemleri
Aluminium Conventional Systems



AC40



TEKNİK ÖZELLİKLERİ / TECHNICAL PROPERTIES

PROFİL ET KALINLIĞI / PROFILE WALL THICKNESS	1,5/1,7 mm
PROFİL ÇAPI / PROFILE DIAMETER	80 mm

KULLANIM SEÇENEKLERİ / APPLICATION ALTERNATIVES

OVAL KÜPEŞTE SİSTEMİ / OVAL HANDRAIL SYSTEM
İÇ VE DIŞ MEKAN KULLANIM ALTERNATİFİ / USED BOTH INDOOR AND OUTDOOR SPACE ALTERNATIVES

MİMARİ KATALOG
ARCHITECTURAL CATALOGUE

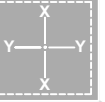
Alüminyum Konvansiyonel Sistemleri
Aluminium Conventional Systems

AC40

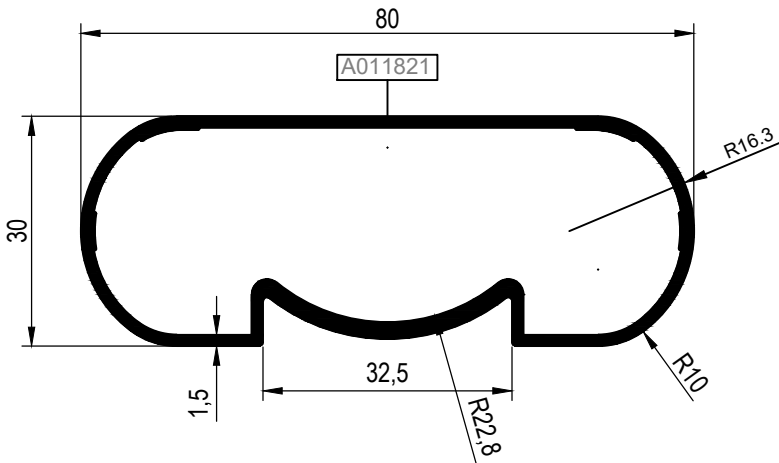
PROFİLLER

PROFILES

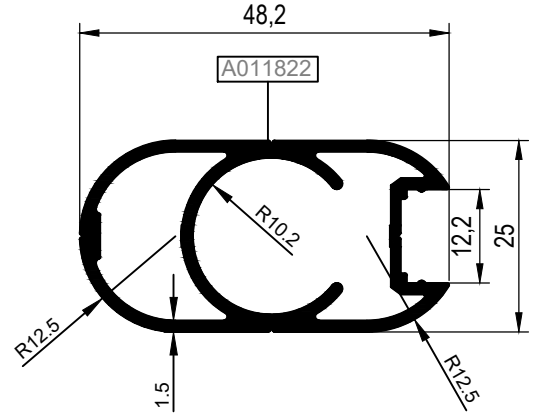
KOD / CODE	AĞIRLIK (kg/m) / WEIGHT	L m	KOD / CODE	AĞIRLIK (kg/m) / WEIGHT	L m
AC40T01	0,934	6			
AC40D01	0,773	6			
AC40D02	0,294	6			
AC40A01	0,071	6			



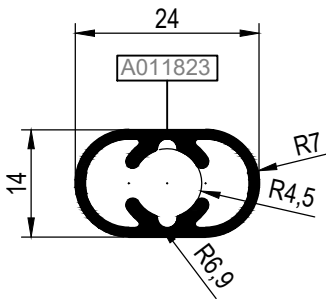
AC40T01



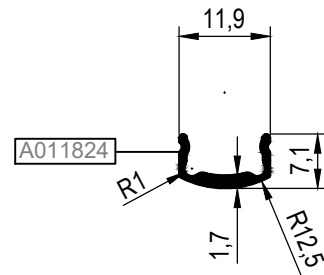
AC40D01



AC40D02



AC40A01



MİMARİ KATALOG
ARCHITECTURAL CATALOGUE

Alüminyum Konvansiyonel Sistemleri
Aluminium Conventional Systems

AC40

DETAYLAR

DETAILS

