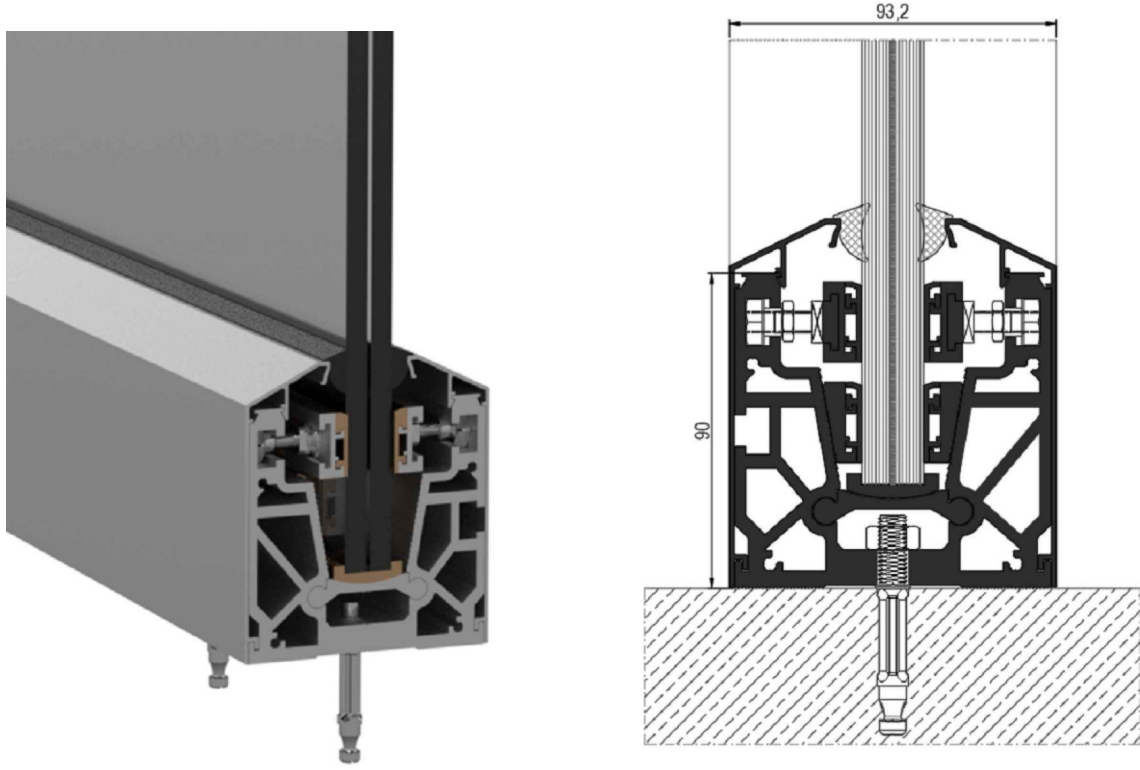


MİMARİ KATALOG
ARCHITECTURAL CATALOGUE

Alüminyum Konvansiyonel Sistemleri
Aluminium Conventional Systems



RB90



TEKNİK ÖZELLİKLERİ / TECHNICAL PROPERTIES

PROFİL YÜKSEKLİĞİ / PROFILE HEIGHT	90 mm
PROFİL GENİŞLİĞİ / PROFILE WIDTH	90 mm
MAX. CAM KALINLIKLARI / MAX. GLASS THICKNESS	8+8 mm
YÜK DAYANIMI / LOAD RESISTANCE	100 kg/mt

KULLANIM SEÇENEKLERİ / APPLICATION ALTERNATIVES

FARKLI TİPTE KAPAK ALTERNATİFLERİ / DIFFERENT TYPES OF CAP ALTERNATIVES
50MM AYAR İMKANI / 50MM ADJUSTMENT POSSIBILITY
İÇE VE DIŞA EĞİMLİ CAM UYGULAMASI / INWARDLY AND OUTWARDLY INCLINED GLASS APPLICATION

PERFORMANS DEĞERLERİ / PERFORMANCE VALUES

STATİK YÜKLEME TESTİ - ASTM E 935 (STATICAL LOADING TEST)	1 KN/M ²	ET 04.2017
--	---------------------	------------

MİMARİ KATALOG
ARCHITECTURAL CATALOGUE

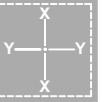
Alüminyum Konvansiyonel Sistemleri
Aluminium Conventional Systems

RB90

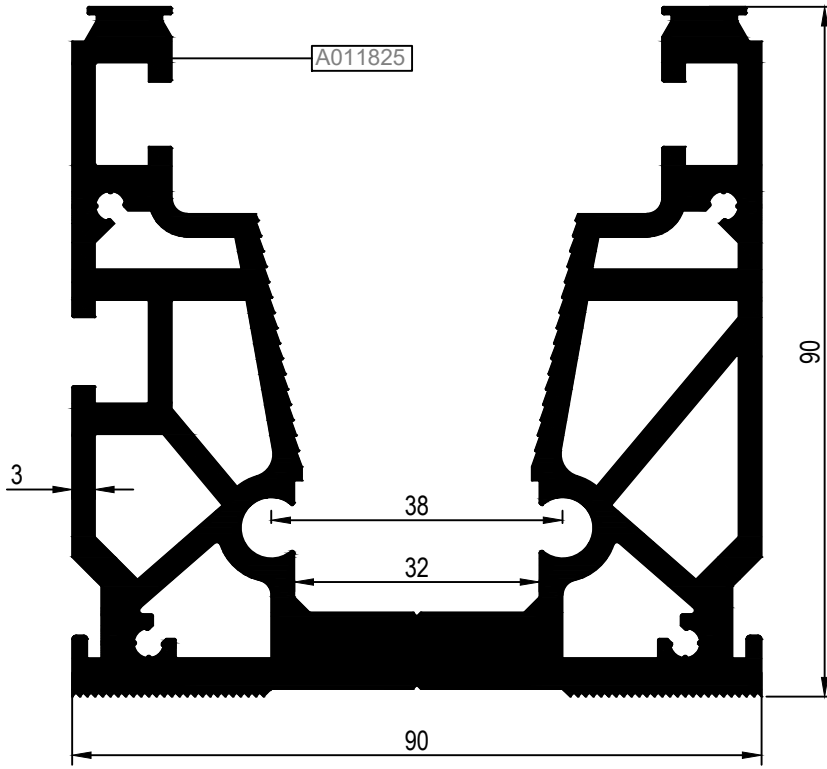
PROFİLLER

PROFILES

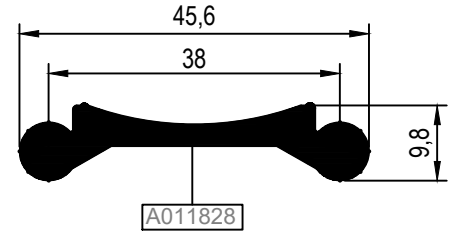
KOD / CODE	AĞIRLIK (kg/m) / WEIGHT	L m	KOD / CODE	AĞIRLIK (kg/m) / WEIGHT	L m
B90F01	6,380	6			
B90A01	0,600	6			
B90F02	6,956	6			



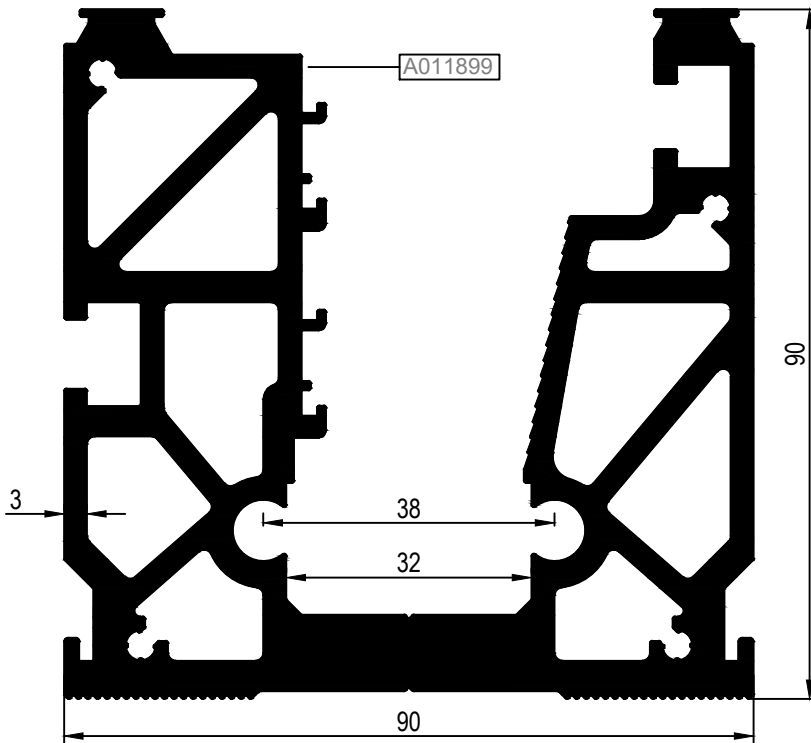
B90F01



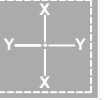
B90A01



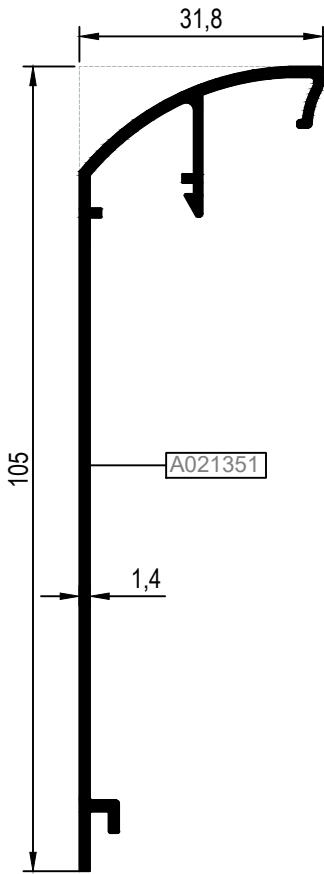
B90F02



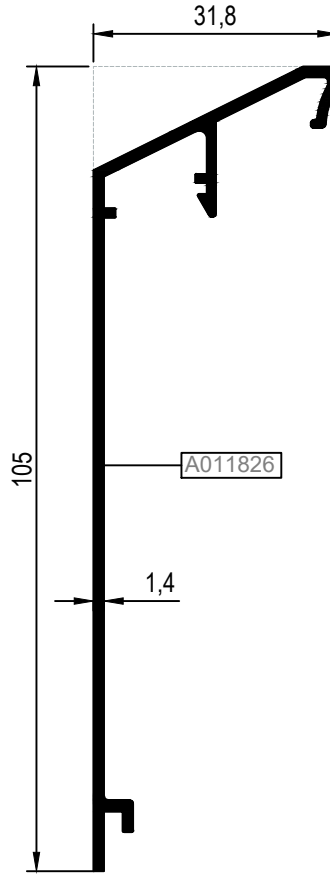
KOD / CODE	AĞIRLIK (kg/m) / WEIGHT	L m	KOD / CODE	AĞIRLIK (kg/m) / WEIGHT	L m
B90P01	0,596	6			
B90P02	0,580	6			
B90P03	-----	6			
B90P04	0,396	6			



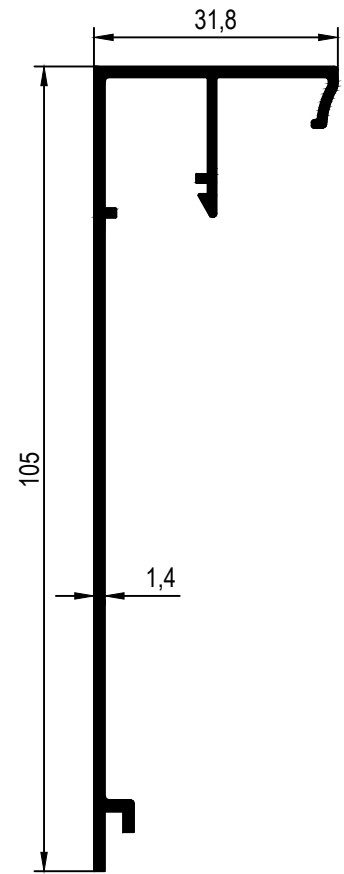
B90P01



B90P02

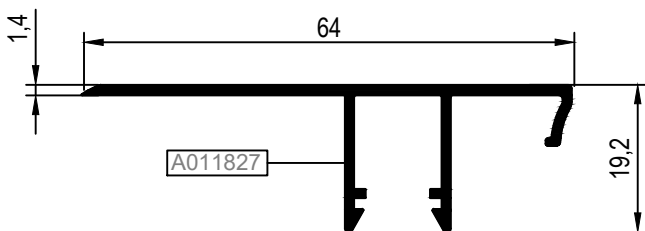


**B90P03

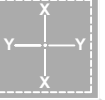


**Kalıp aktif değildir. Sipariş üzerine yapılacaktır.
The die is not active. It will be produced on order.

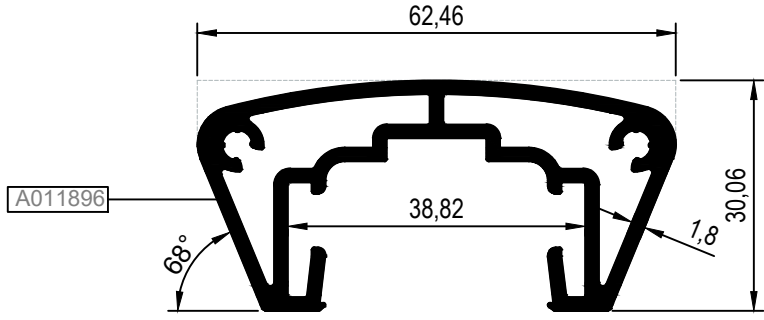
B90P04



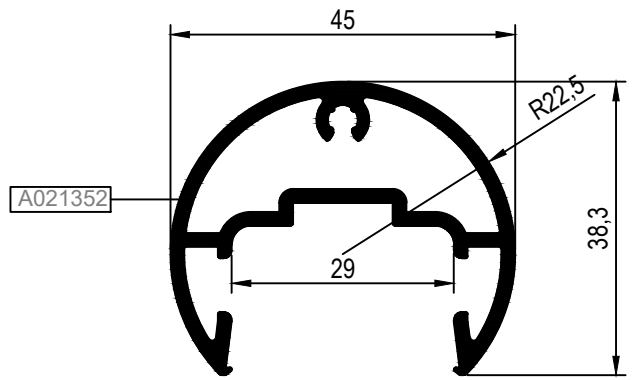
KOD / CODE	AĞIRLIK (kg/m) / WEIGHT	L m	KOD / CODE	AĞIRLIK (kg/m) / WEIGHT	L m
B120T02	0,323	6			
B120T05	0,864	6			
B120T06	1,216	6			
B120T07	1,275	6			



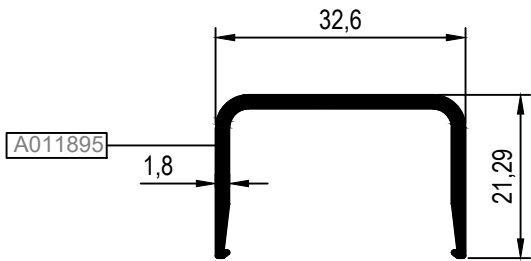
B120T06



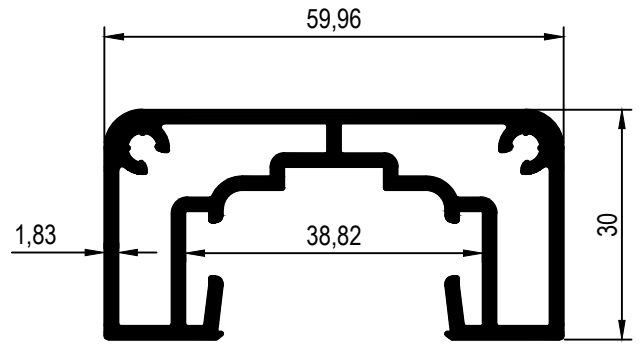
B120T05



B120T02



**B120T07



**Kalıp aktif değildir. Sipariş üzerine yapılacaktır.
The die is not active. It will be produced on order.

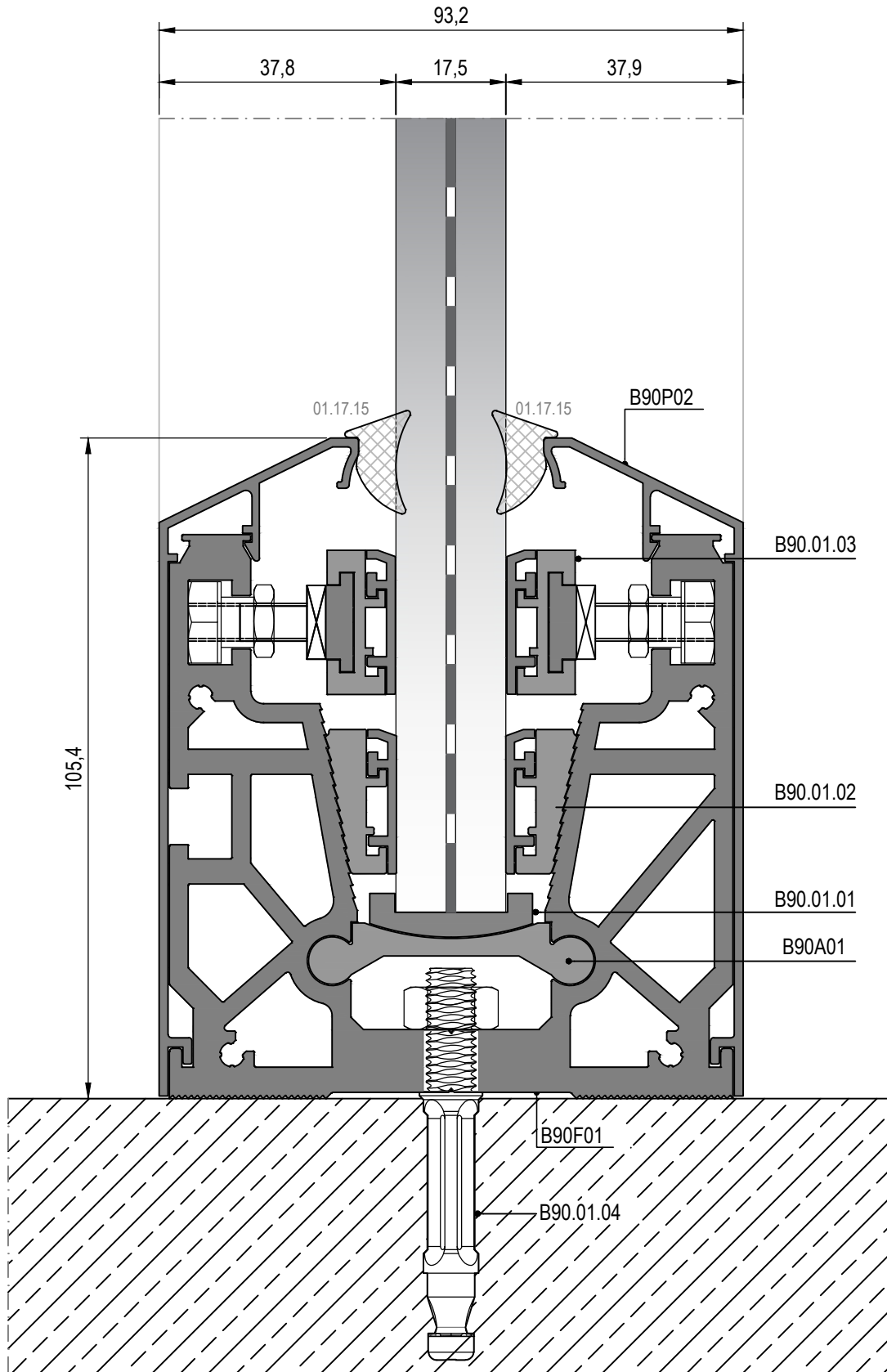
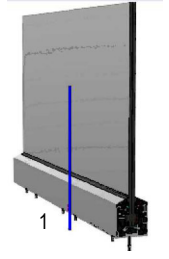
MİMARİ KATALOG
ARCHITECTURAL CATALOGUE

Alüminyum Konvansiyonel Sistemleri
Aluminium Conventional Systems

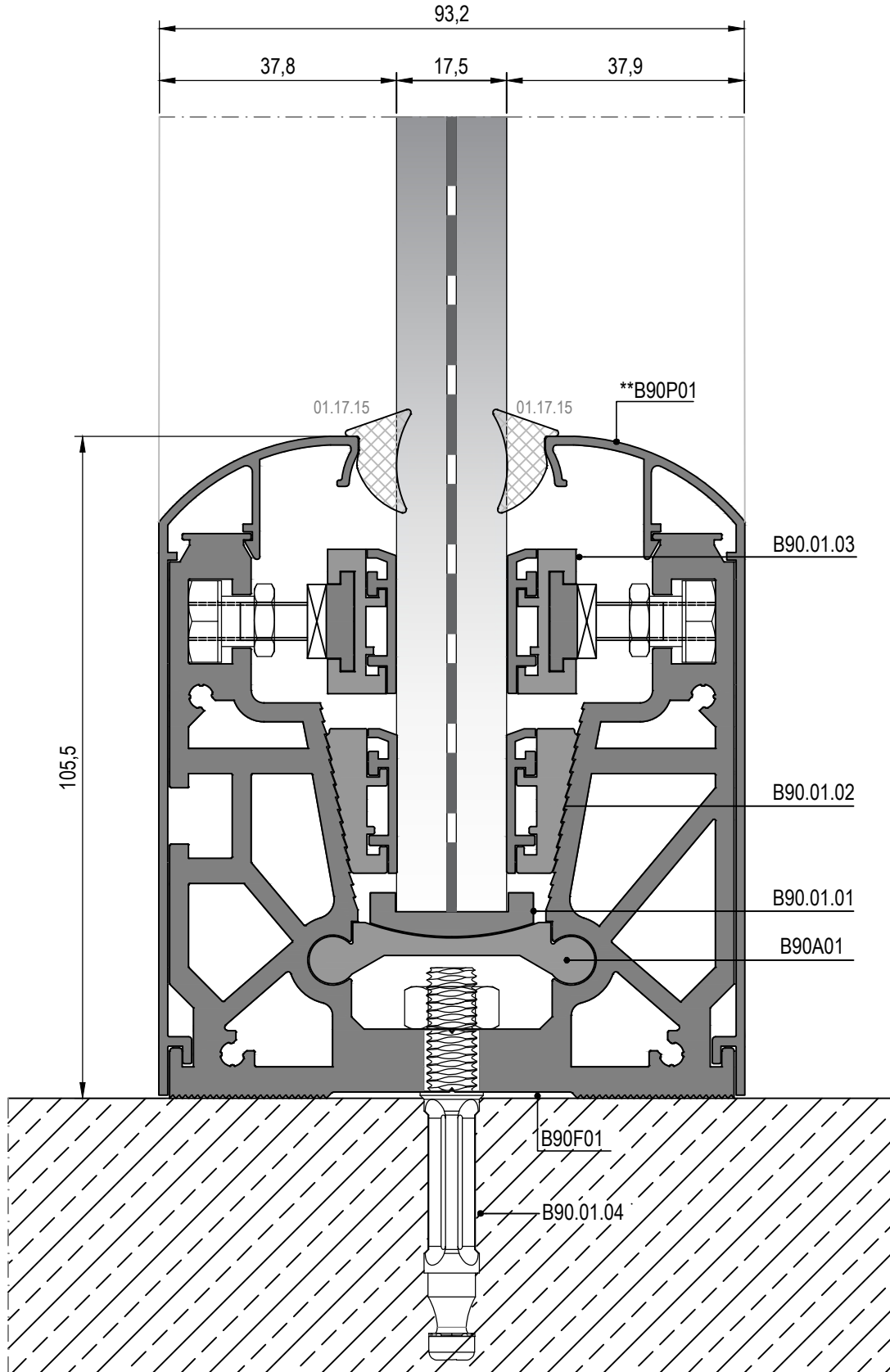
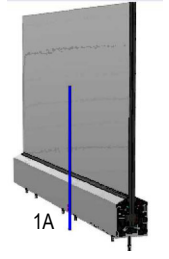
RB90

DETAYLAR

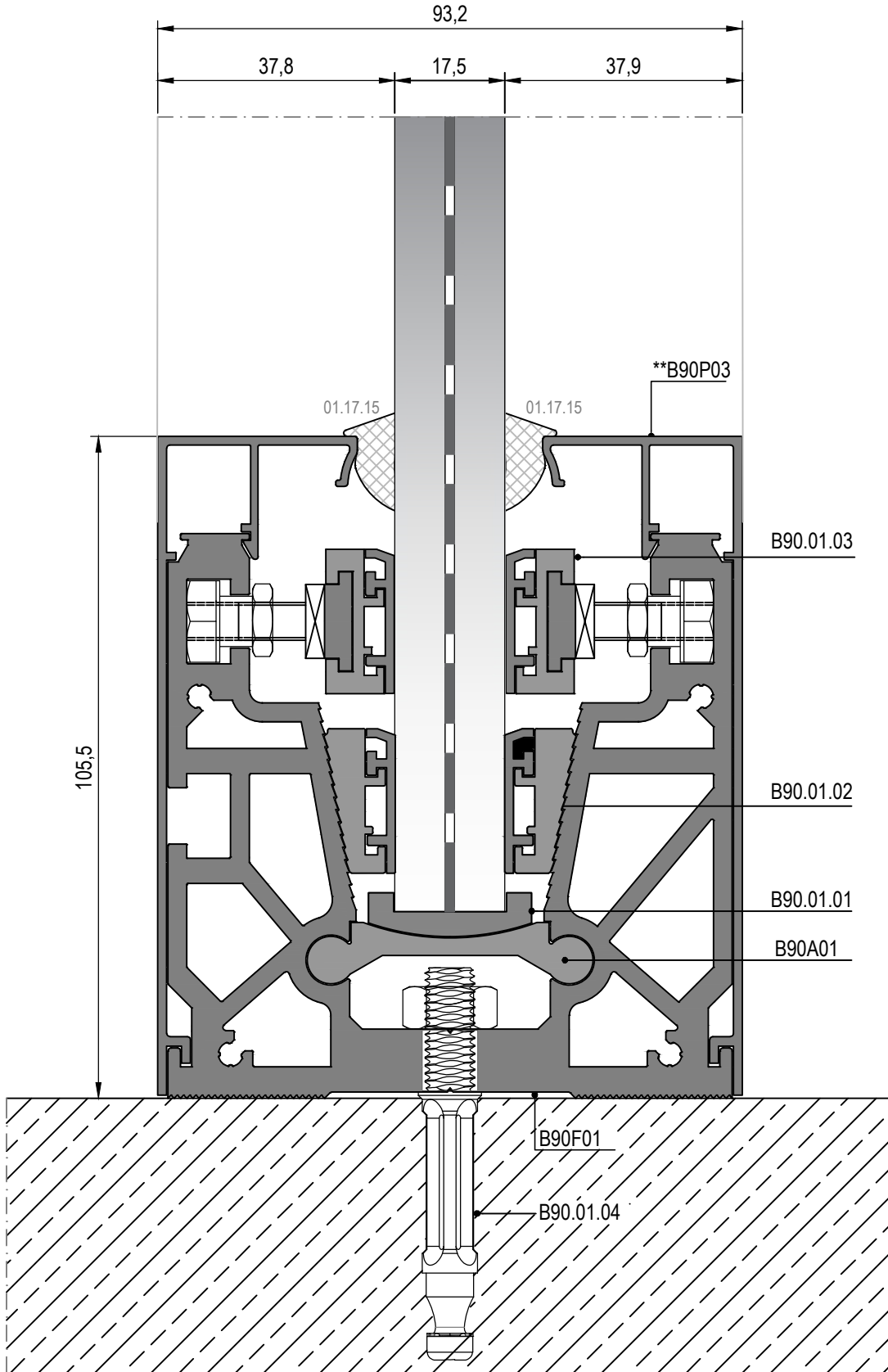
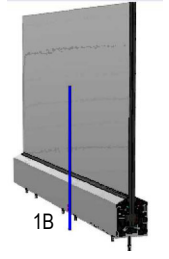
DETAILS



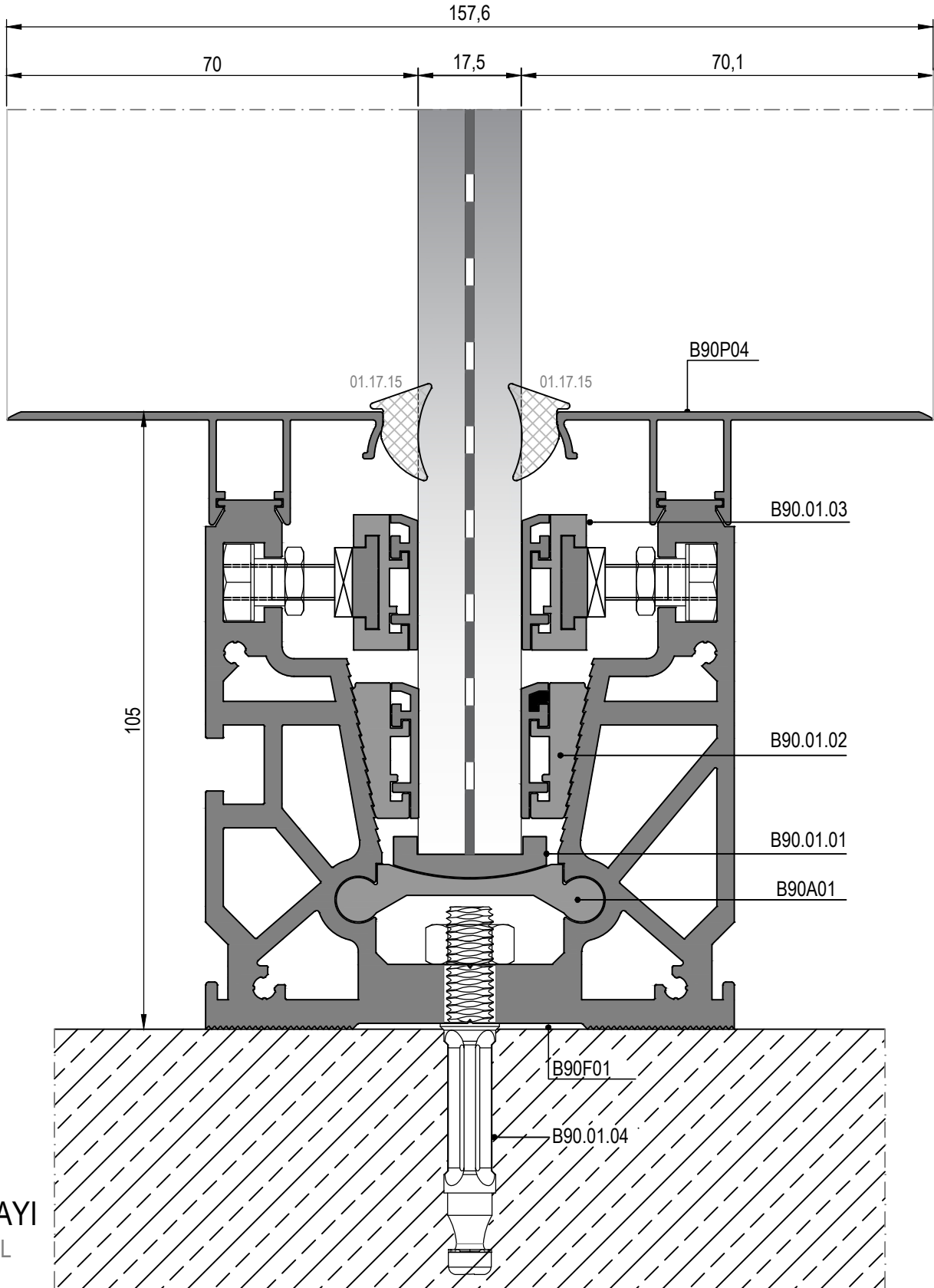
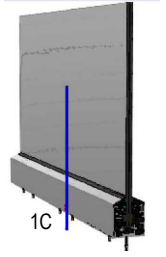
① DETAYI
DETAIL



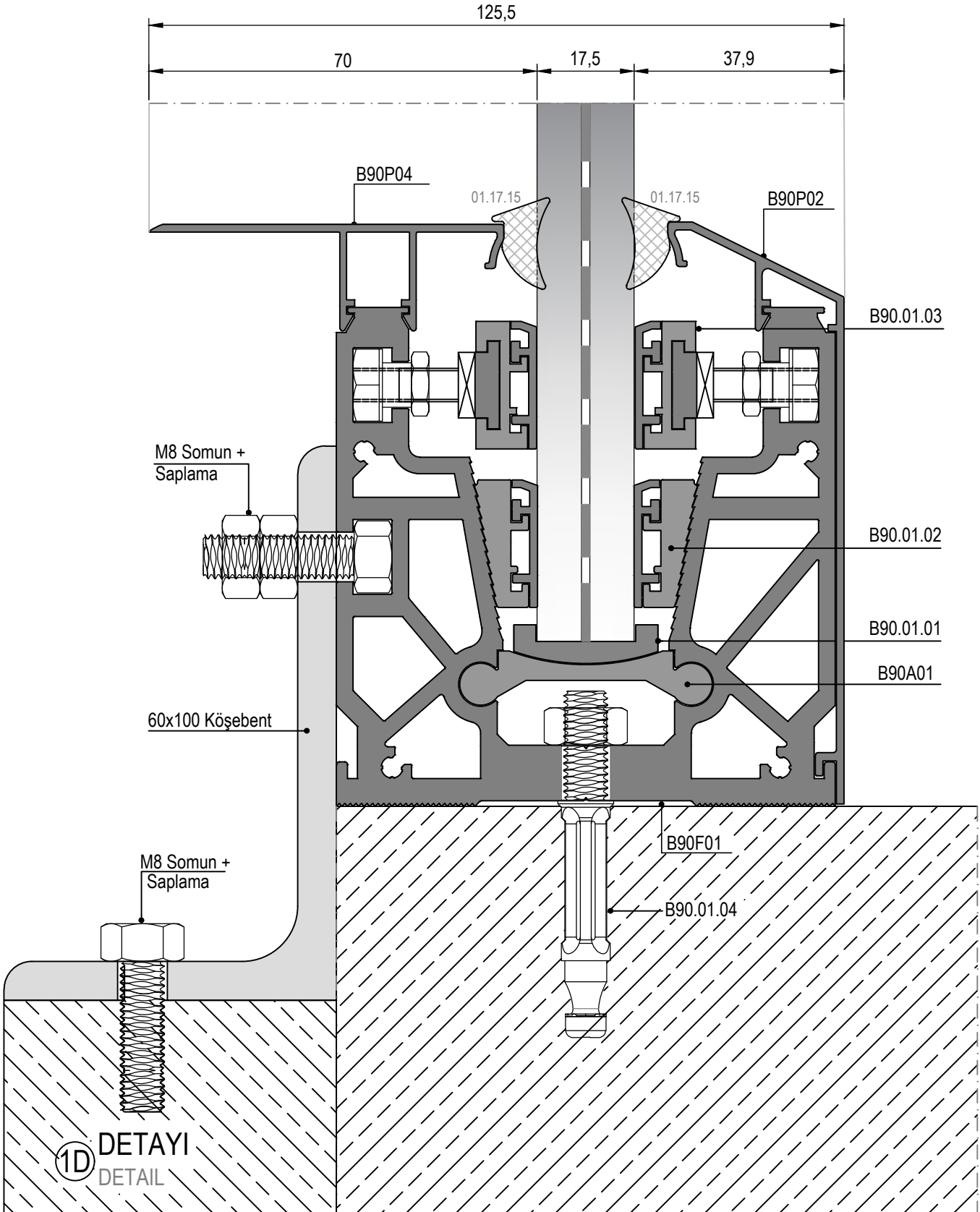
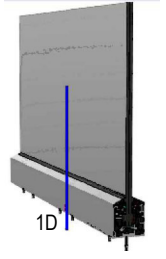
1A DETAYI
DETAIL

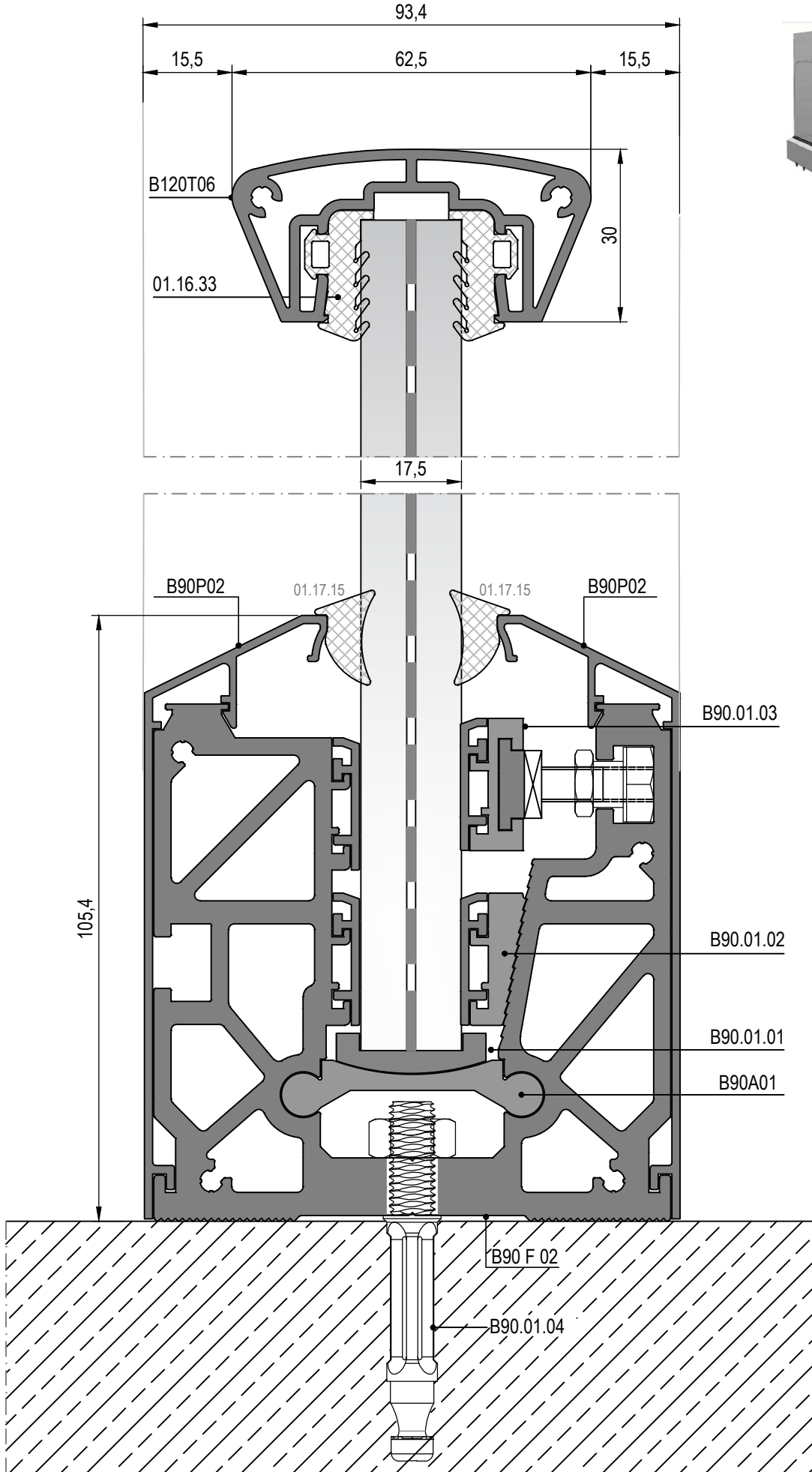


1B DETAYI
DETAIL

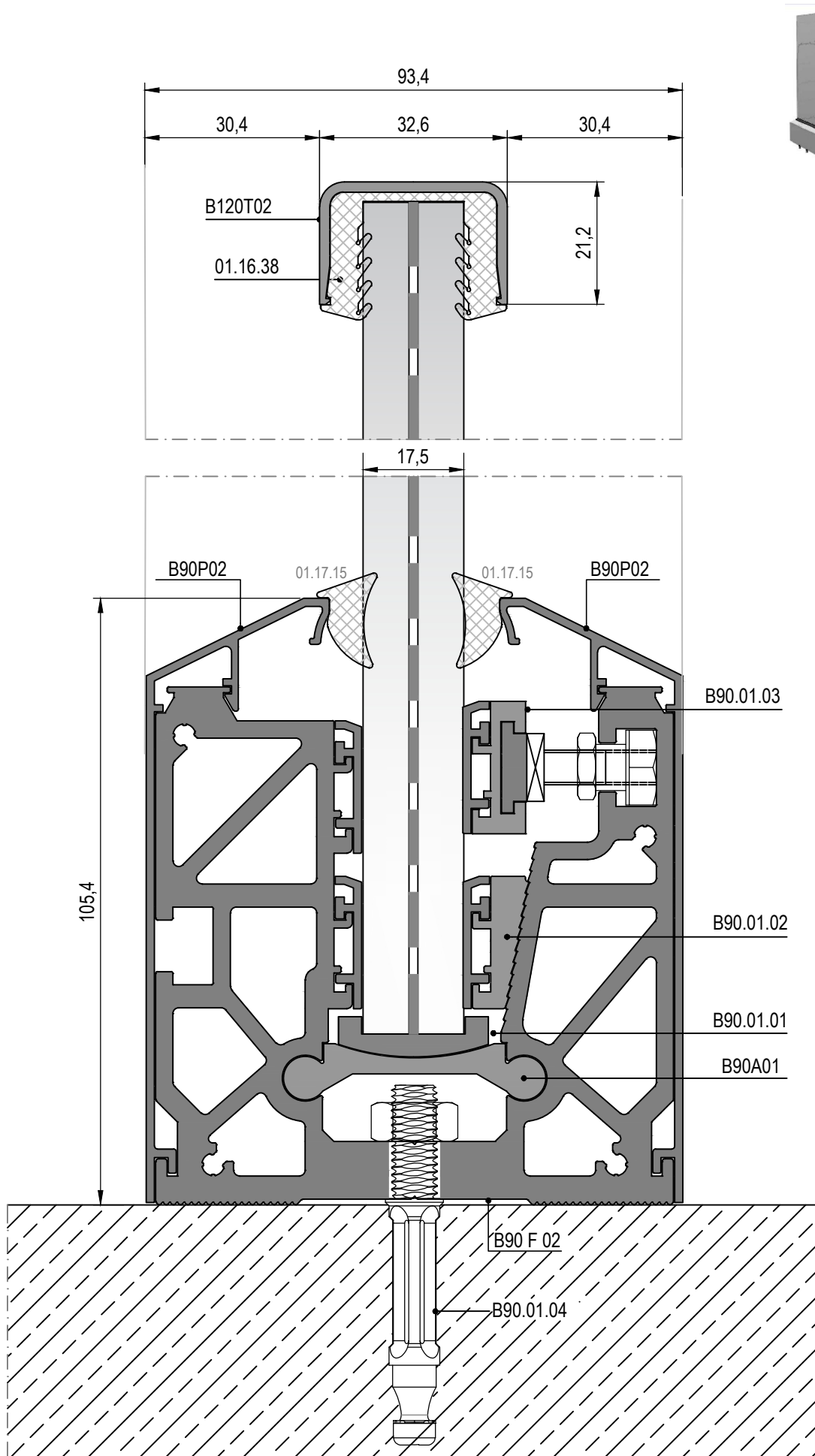


1C DETAYI
DETAIL





② DETAYI
DETAIL



2A DETAYI
DETAIL


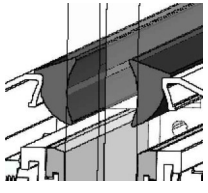
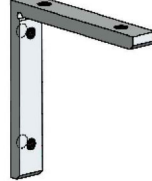
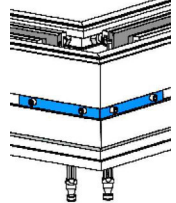
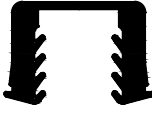
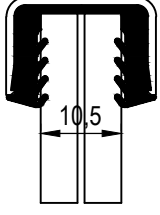
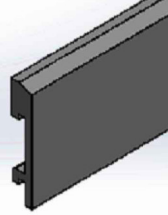

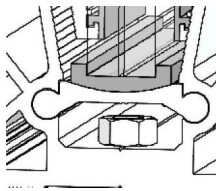
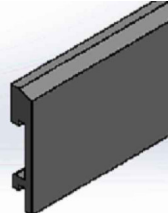
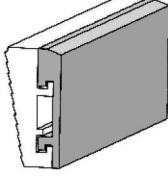
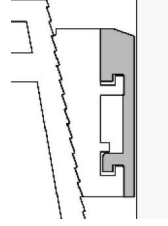
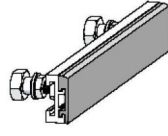
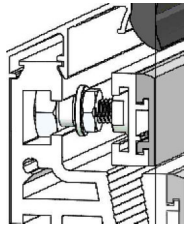

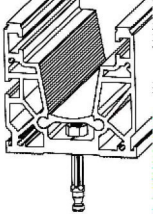

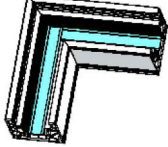
MİMARİ KATALOG
ARCHITECTURAL CATALOGUE

Alüminyum Konvansiyonel Sistemleri
Aluminium Conventional Systems

RB90

AKSESUARLAR

ACCESSORIES

	<p>01.17.15</p> <p>İÇ CAM FİTİLİ INSIDE GLAZING GASKET</p> <p>Malzeme / Material : EPDM Ağırlık / Weight : 118 gr/m Paket / Package: 127 m / 15 kg</p>			<p>B90.01.06</p> <p>KÖŞE BAĞLANTI TAKOZU CORNER JOINT</p> <p>Malzeme / Material: ÇELİK / STEEL</p>	
	<p>01.16.38</p> <p>CAM FİTİLİ GLAZING GASKET</p> <p>Malzeme / Material : EPDM Ağırlık / Weight : 370 gr/m Paket / Package: 40m / 15 kg</p>			<p>B120.01.03</p> <p>CAM DESTEK TAKOZU 150mm GLASS SUPPORT 150mm</p> <p>Malzeme / Material : PVC</p>	
	<p>B90.01.01</p> <p>CAM DESTEK TAKOZU GLASS SUPPORT</p> <p>Malzeme / Material : PVC Paket / Package: 40 adet / Koli</p>			<p>B120.01.04</p> <p>CAM DESTEK TAKOZU 300mm GLASS SUPPORT 300mm</p> <p>Malzeme / Material : PVC</p>	
	<p>B90.01.02</p> <p>DİKEY SIKIŞTIRMA GRUBU VERTICAL PRESSING GROUP</p> <p>Malzeme / Material :Aluminium+ PVC Paket / Package: 60 adet / Koli</p>				
	<p>B90.01.03</p> <p>YATAY SIKIŞTIRMA GRUBU HORIZONTAL PRESSING GROUP</p> <p>Malzeme / Material :Aluminium+ PVC Paket / Package: 40 adet / Koli</p>				
	<p>B90.01.04</p> <p>M8 DÜBEL + SOMUN M8 DUBEL + NUT</p> <p>Malzeme / Material : ÇELİK / STEEL</p>				
	<p>B90.01.05</p> <p>CAM DESTEK TAKOZU (KÖŞE İÇİN 172mm) GLASS SUPPORT (FOR CORNER 172mm)</p> <p>Malzeme / Material : PVC</p>				

MİMARİ KATALOG
ARCHITECTURAL CATALOGUE

Alüminyum Sürme Sistemleri
Aluminium Sliding Systems

RB90

İMALAT DETAYLARI

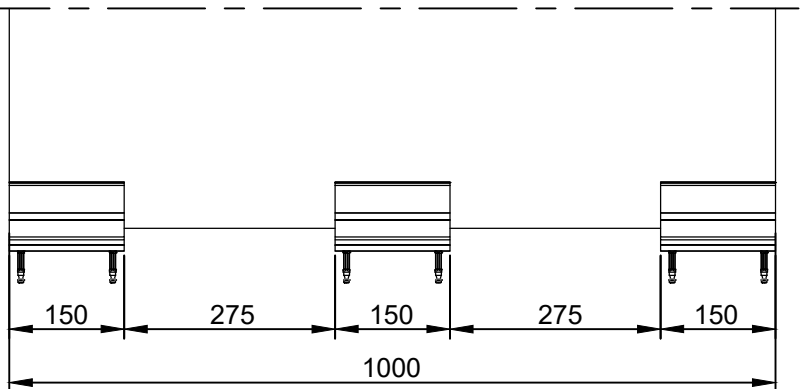
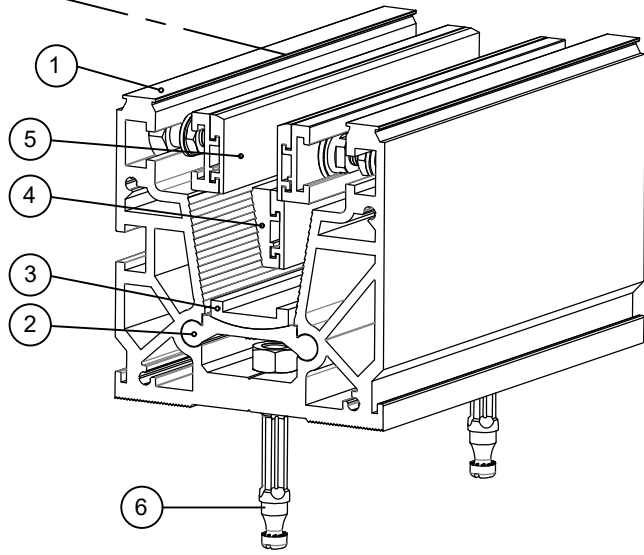
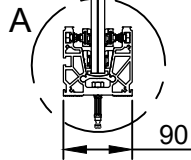
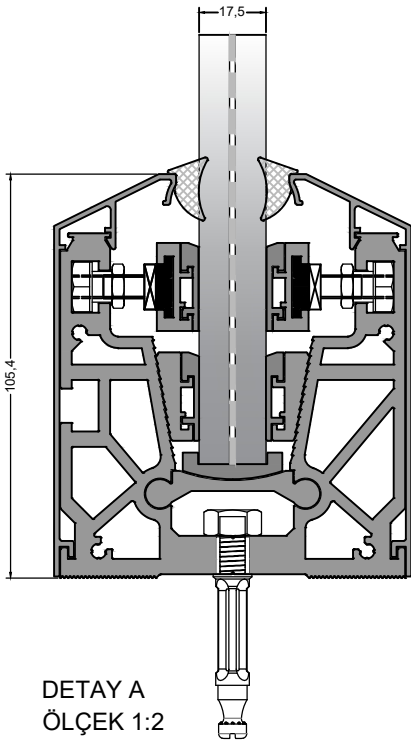
FABRICATION DETAILS

TİP-1 SET
TYPE-1 KIT

	KOD CODE	ÖLÇÜ MEASURE	TANIM DESCRIPTION	ADET NUMBER
1	B90-01-M01	15 cm	90'LİK ANA TAŞIYICI MULLION	3
2	B90-01-M02	15 cm	CAM DESTEK PROFİLİ GLASS SUPPORT PROFILE	3
3	B90-01-01	-	CAM ALTI TAKOZU GLASS SUPPORT	3
4	B90-01-02	-	DİKEY SIKIŞTIRMA GRUBU VERTICAL PRESSING GROUP	6
5	B90-01-03	-	YATAY SIKIŞTIRMA GRUBU HORIZONTAL PRESSING GROUP	6
6	B90-01-04	-	M8 DÜBEL + M8 ALTİKÖŞE SOMUN M8 DUBEL + M8 HEXAGON NUT	6

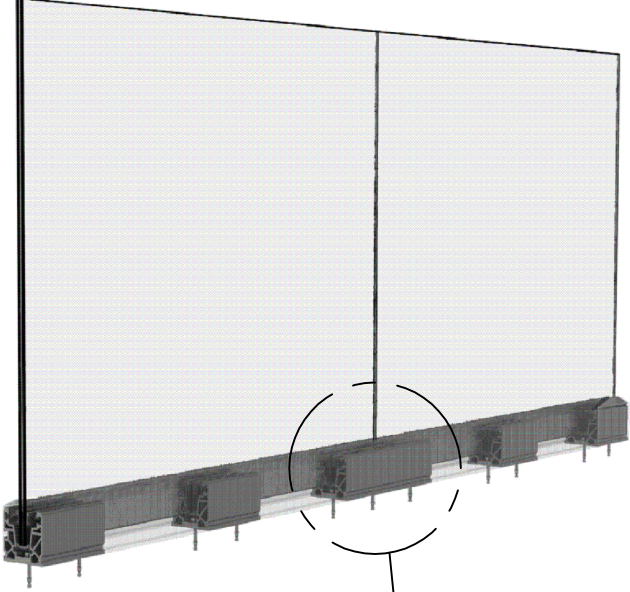
***Cam ve kapaklar sete dahil edilmemiştir.
Glass and covers are not included in the set.

TİP-1



***Uygulama Ölçüleri.
Application Measures.

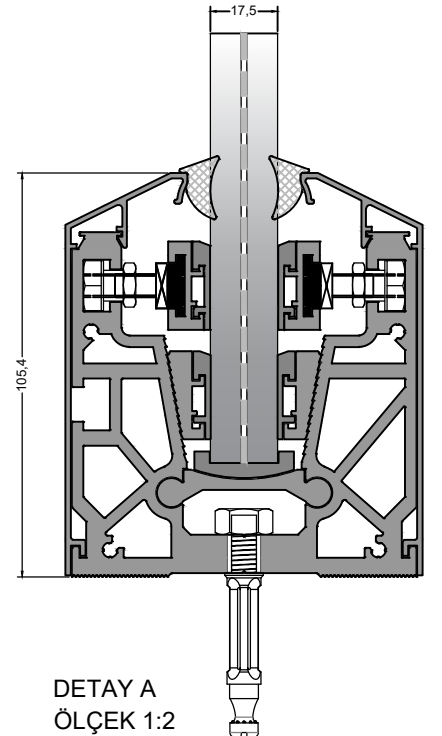
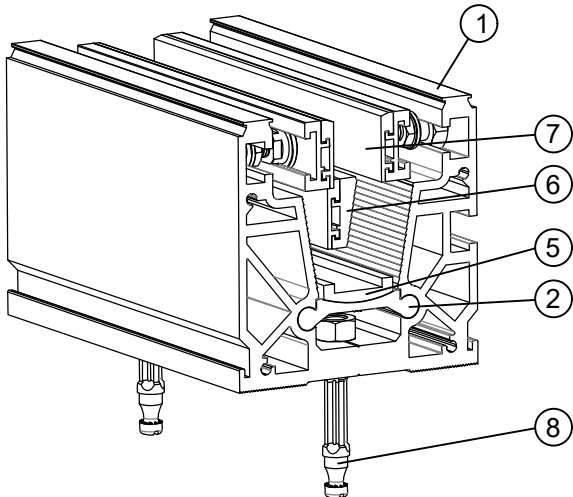
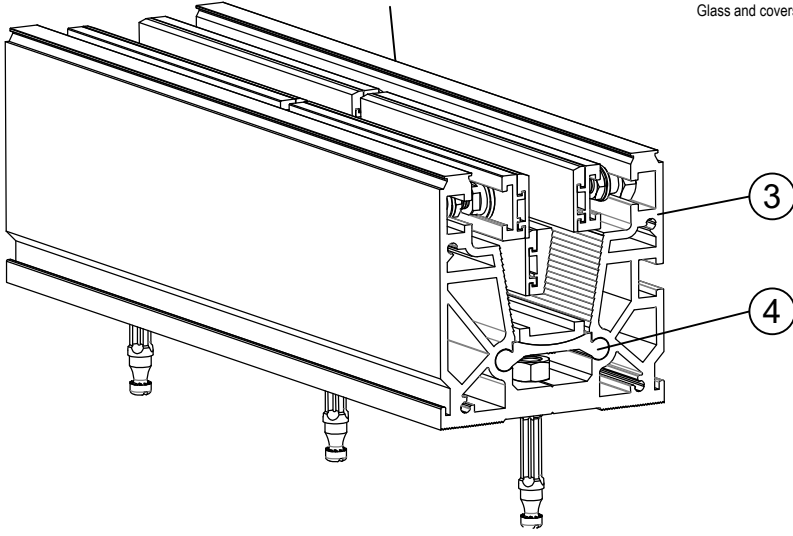
TİP-2 SET
TYPE-2 KIT

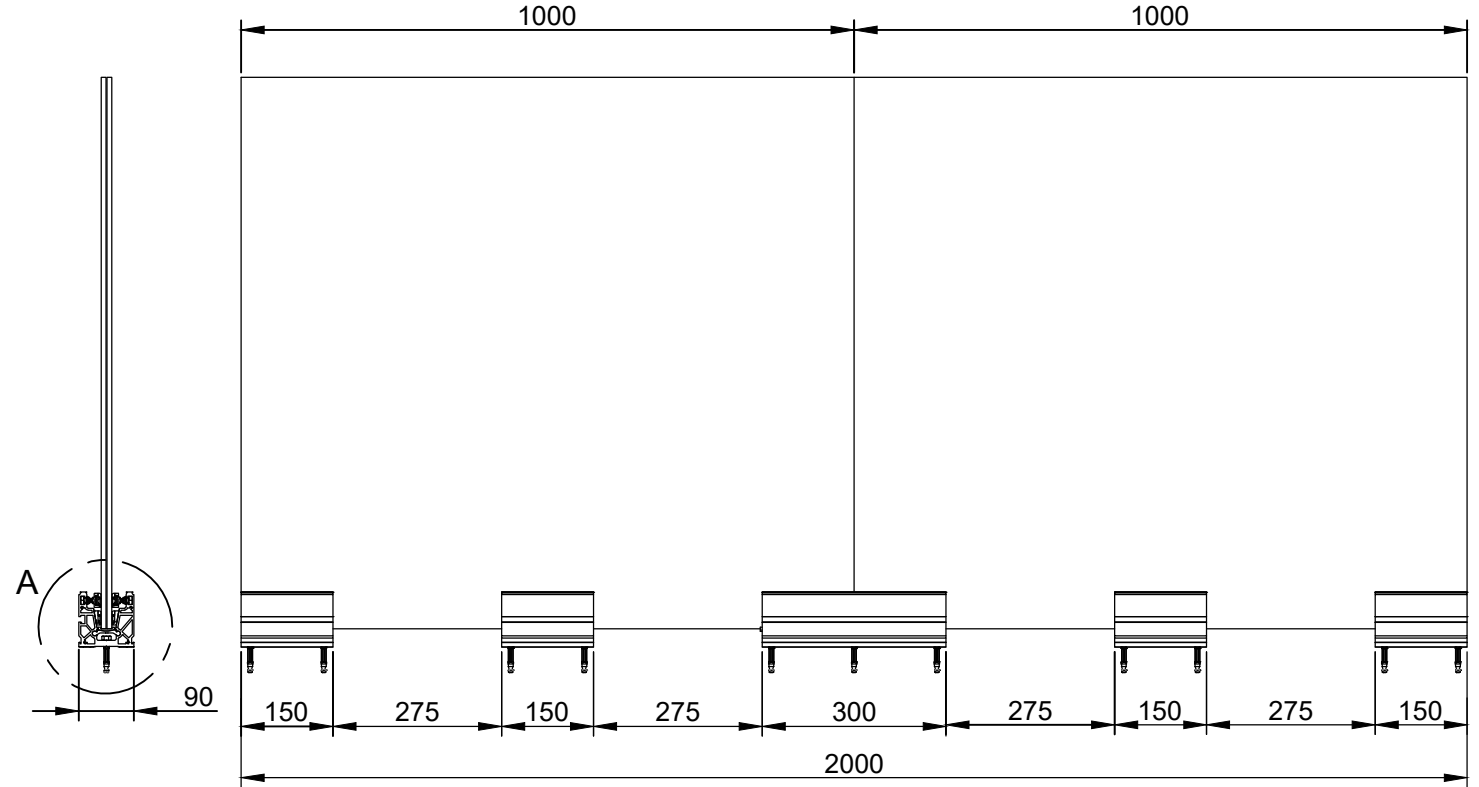
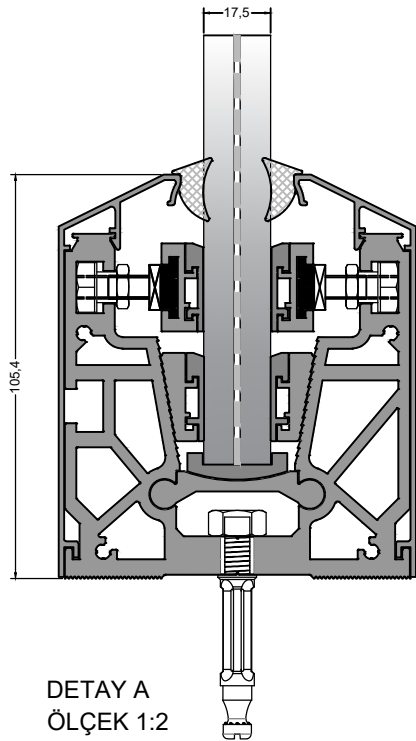


TİP-2

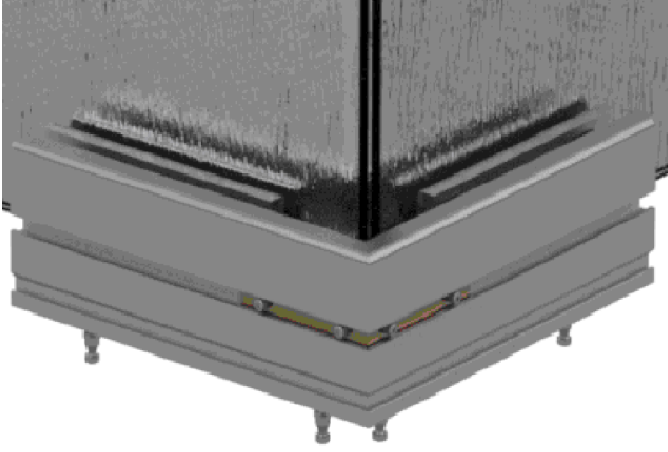
	KOD CODE	ÖLÇÜ MEASURE	TANIM DESCRIPTION	ADET NUMBER
1	B90-01-M01	15 cm	90'LİK ANA TAŞIYICI MULLION	4
2	B90-01-M02	15 cm	CAM DESTEK PROFİLİ GLASS SUPPORT PROFILE	4
3	B90-01-M03	30 cm	90'LİK ANA TAŞIYICI MULLION	1
4	B90-01-M04	30 cm	CAM DESTEK PROFİLİ GLASS SUPPORT PROFILE	1
5	B90-01-01	-	CAM ALTI TAKOZU GLASS SUPPORT	6
6	B90-01-02	-	DİKEY SIKIŞTIRMA GRUBU VERTICAL PRESSING GROUP	12
7	B90-01-03	-	YATAY SIKIŞTIRMA GRUBU HORIZONTAL PRESSING GROUP	12
8	B90-01-04	-	M8 DÜBEL + M8 ALTIKÖŞE SOMUN M8 DUBEL + M8 HEXAGON NUT	11

***Cam ve kapaklar sete dahil edilmemiştir.
Glass and covers are not included in the set.





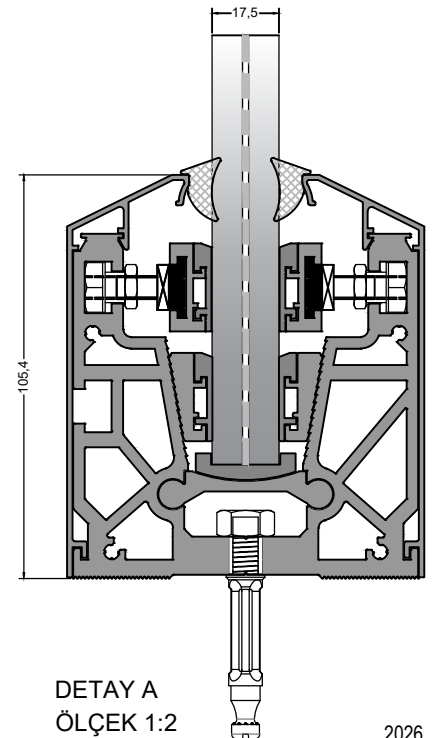
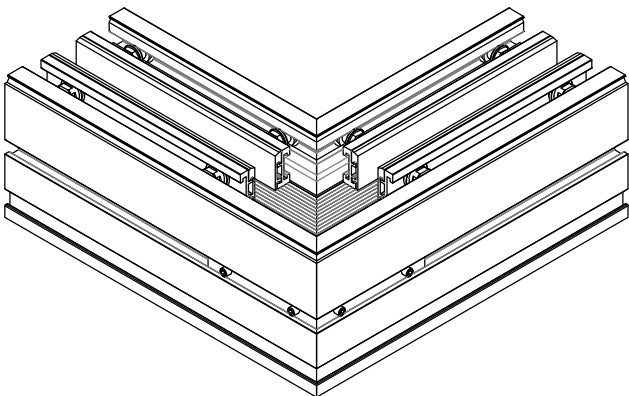
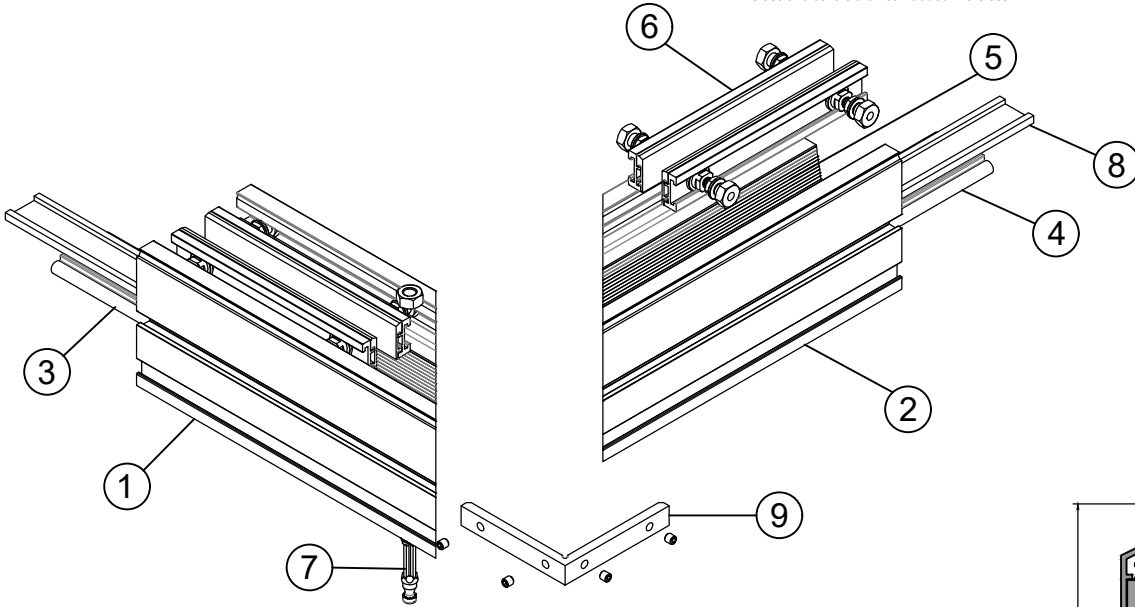
TİP-3 SET
TYPE-3 KIT



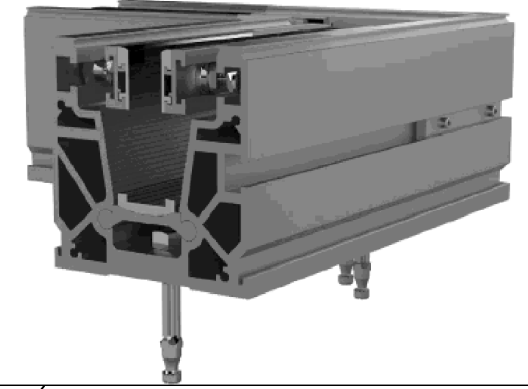
TİP-3

	KOD CODE	ÖLÇÜ MEASURE	TANIM DESCRIPTION	ADET NUMBER
1	B90-01-M05	23 cm	90'LİK ANA TAŞIYICI SOL (90°) MULLION (LEFT)	1
2	B90-01-M06	23 cm	90'LİK ANA TAŞIYICI SAĞ (90°) MULLION (RIGHT)	1
3	B90-01-M07	23 cm	CAM DESTEK PROFİLİ SOL (90°) GLASS SUPPORT PROFILE (LEFT)	1
4	B90-01-M08	23 cm	CAM DESTEK PROFİLİ SAĞ (90°) GLASS SUPPORT PROFILE (RIGHT)	1
5	B90-01-02	-	DİKEY SIKIŞTIRMA GRUBU VERTICAL PRESSING GROUP	4
6	B90-01-03	-	YATAY SIKIŞTIRMA GRUBU HORIZONTAL PRESSING GROUP	4
7	B90-01-04	-	M8 DÜBEL + M8 ALTİKÖŞE SOMUN M8 DUBEL + M8 HEXAGON NUT	4
8	B90-01-05	-	CAM ALTI TAKOZU GLASS SUPPORT	2
9	B90-01-06	-	KÖŞE ÇAVUŞU CORNER CONNECTION PART	1

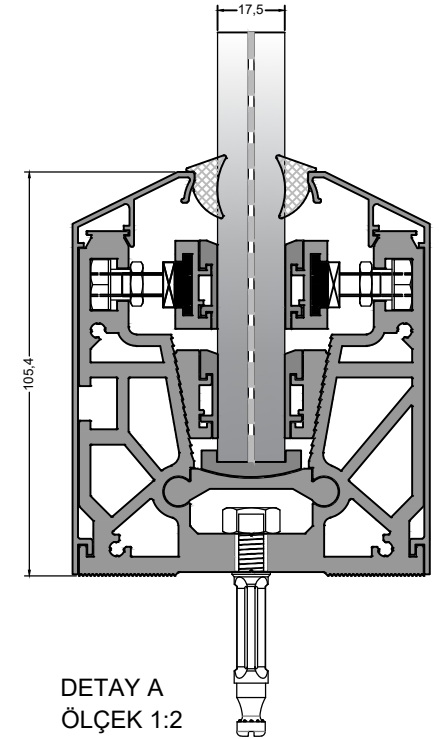
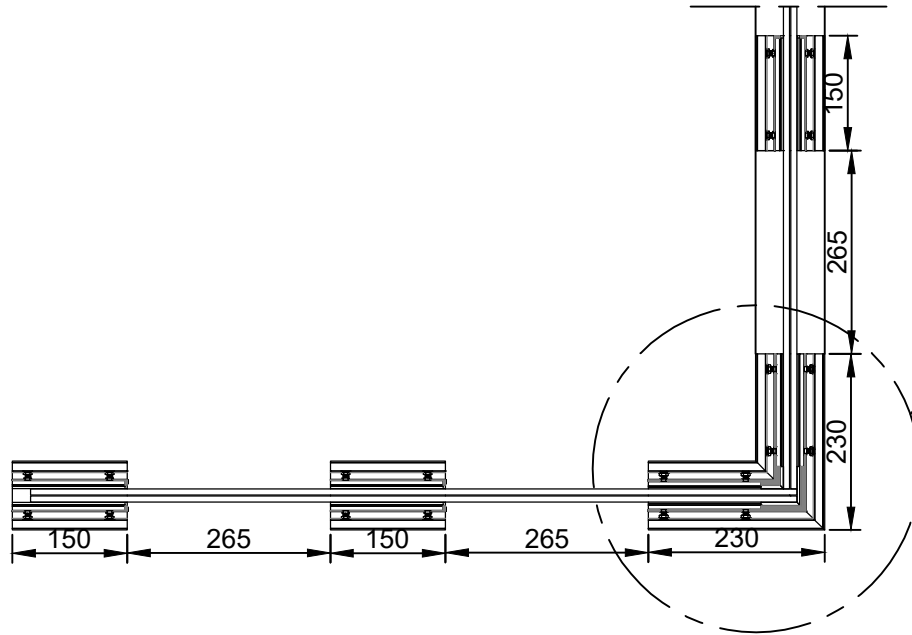
***Cam ve kapaklar sete dahil edilmemiştir.
Glass and covers are not included in the set.



DETAY A
ÖLÇEK 1:2

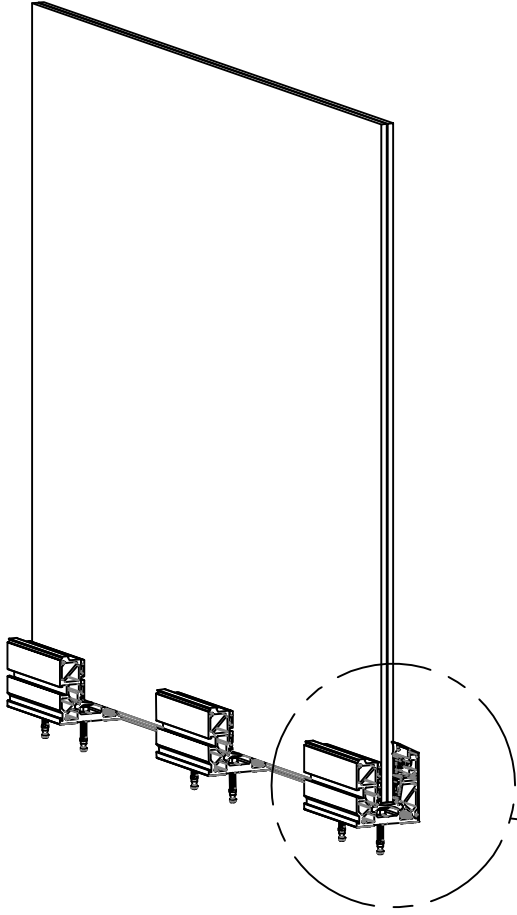


TİP-3

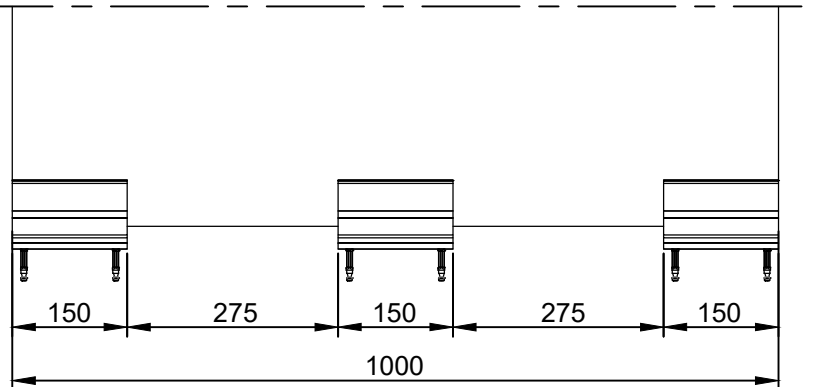
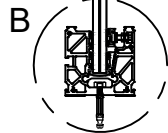
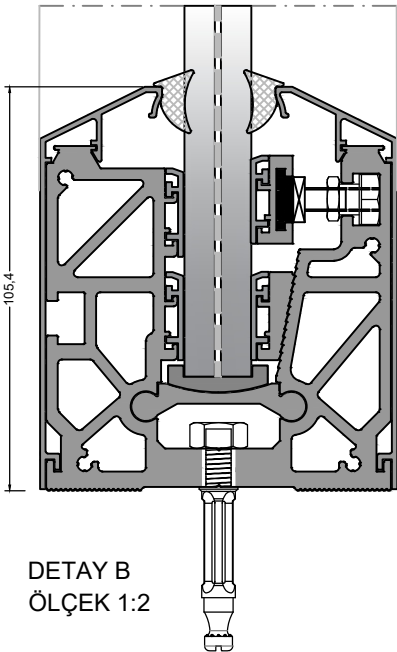
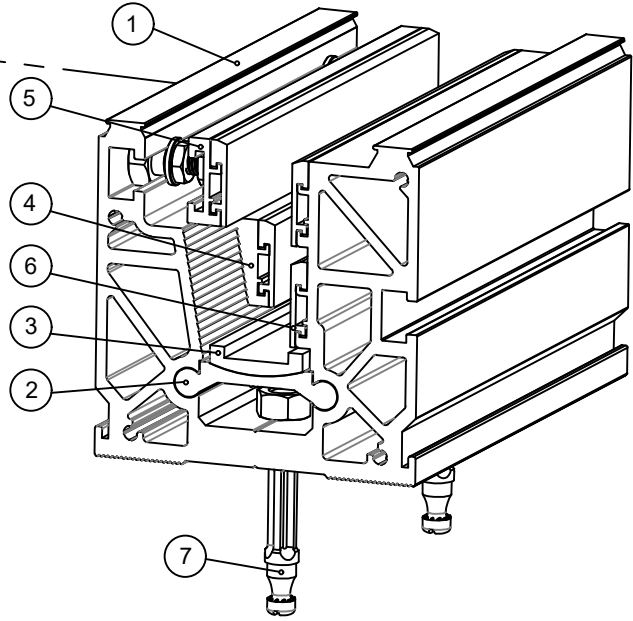


TİP-1 SET
TYPE-1 KIT

	KOD CODE	ÖLÇÜ MEASURE	TANIM DESCRIPTION	ADET NUMBER
1	B90-01-M09	15 cm	90'LİK ANA TAŞIYICI MULLION	3
2	B90-01-M02	15 cm	CAM DESTEK PROFİLİ GLASS SUPPORT PROFILE	3
3	B90-01-01	-	CAM ALTI TAKOZU GLASS SUPPORT	3
4	B90-01-02	-	DİKEY SIKIŞTIRMA GRUBU VERTICAL PRESSING GROUP	3
5	B90-01-03	-	YATAY SIKIŞTIRMA GRUBU HORIZONTAL PRESSING GROUP	3
6	B120-01-03	15 cm	CAM DESTEK TAKOZU(150mm) GLASS SUPPORT	6
7	B90-01-04	-	M8 DÜBEL + M8 ALTİKÖŞE SOMUN M8 DUBEL + M8 HEXAGON NUT	6

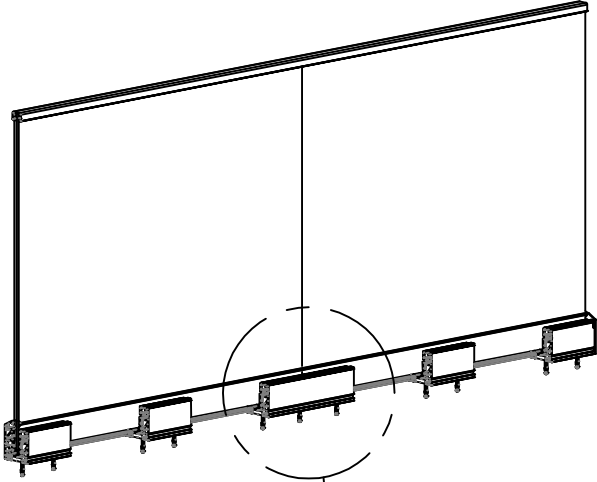


***Cam ve kapaklar sete dahil edilmemiştir.
Glass and covers are not included in the set.



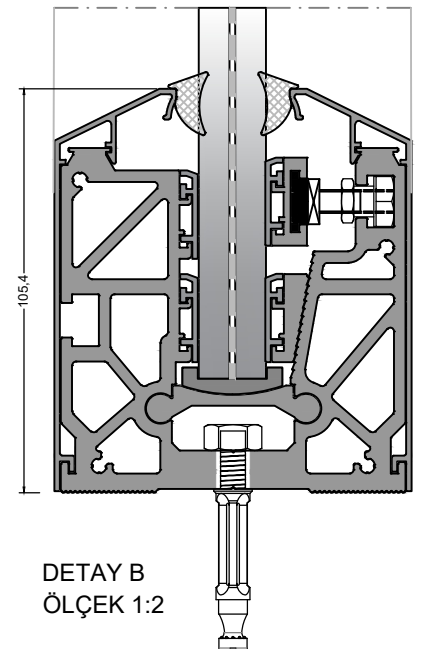
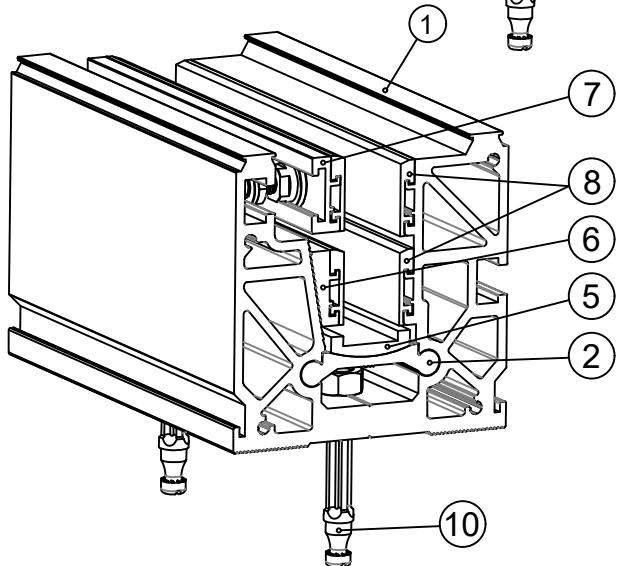
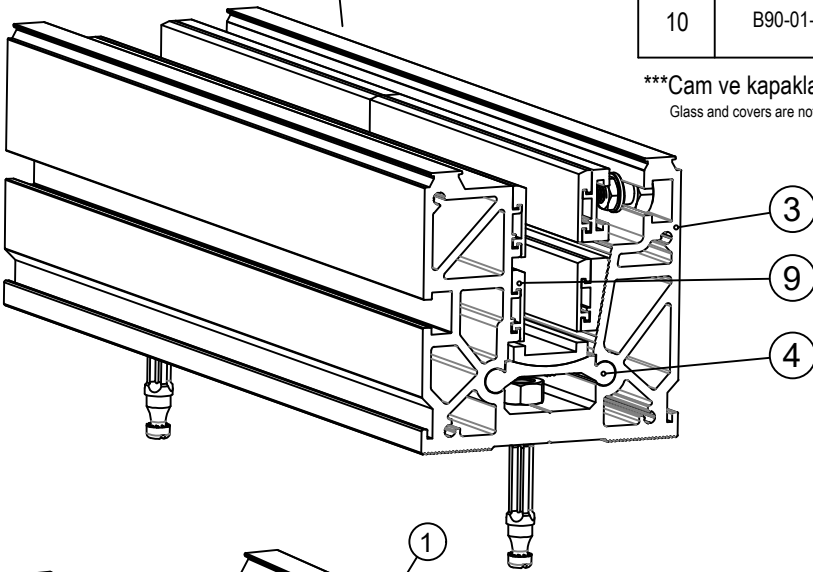
***Uygulama Ölçüleri.
Application Measures.

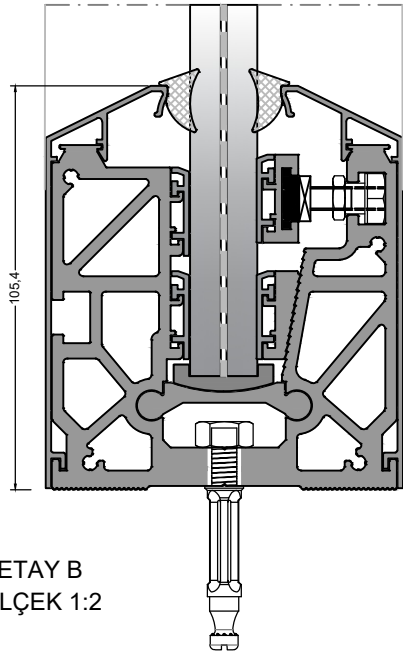
TİP-2 SET
TYPE-2 KIT



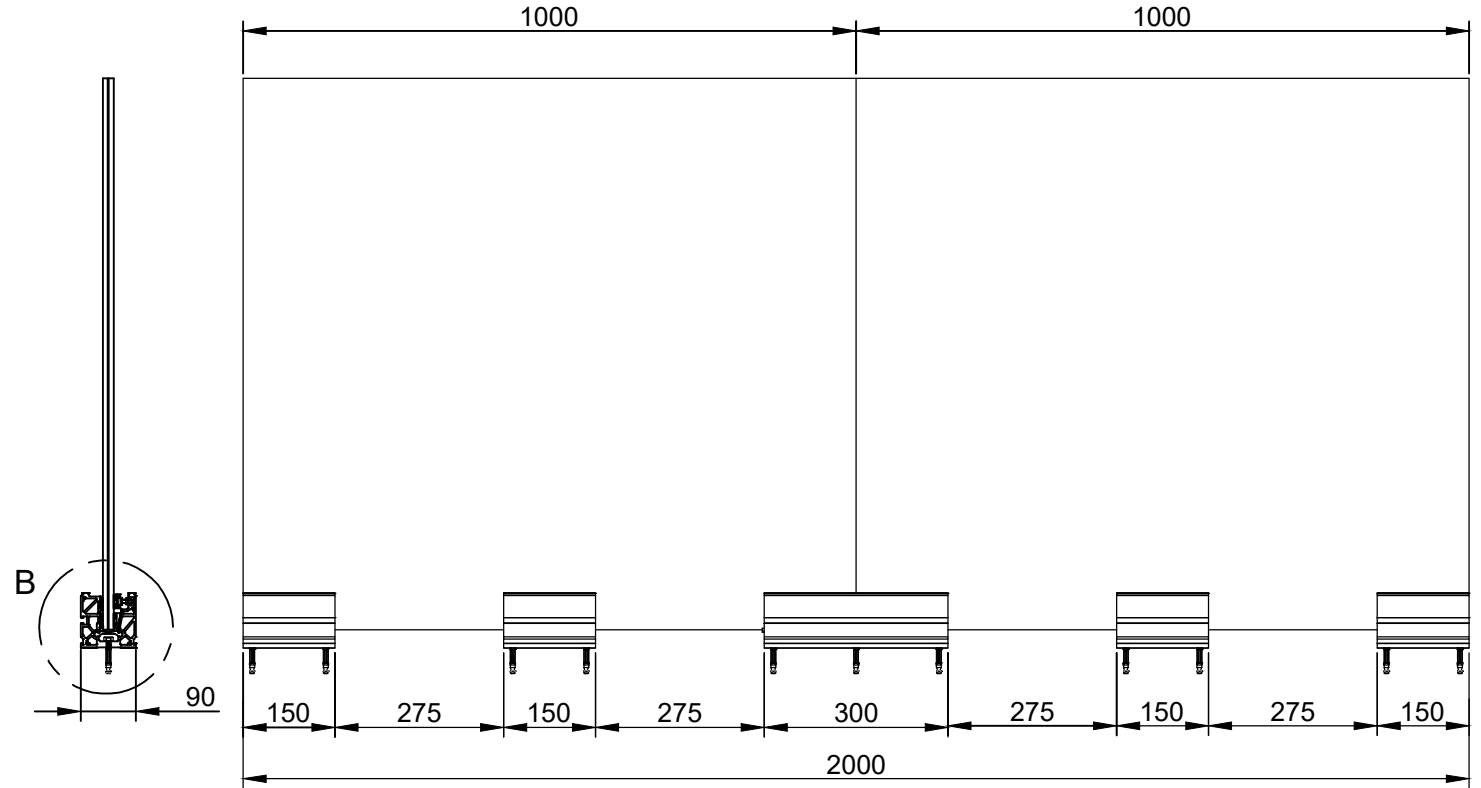
	KOD CODE	ÖLÇÜ MEASURE	TANIM DESCRIPTION	ADET NUMBER
1	B90-01-M09	15 cm	90'LİK ANA TAŞIYICI MULLION	4
2	B90-01-M02	15 cm	CAM DESTEK PROFİLİ GLASS SUPPORT PROFILE	4
3	B90-01-M10	30 cm	90'LİK ANA TAŞIYICI MULLION	1
4	B90-01-M04	30 cm	CAM DESTEK PROFİLİ GLASS SUPPORT PROFILE	1
5	B90-01-01	-	CAM ALTI TAKOZU GLASS SUPPORT	6
6	B90-01-02	-	DIKEY SIKIŞTIRMA GRUBU VERTICAL PRESSING GROUP	6
7	B90-01-03	-	YATAY SIKIŞTIRMA GRUBU HORIZONTAL PRESSING GROUP	6
8	B120-01-03	-	CAM DESTEK TAKOZU(150mm) GLASS SUPPORT	8
9	B120-01-04	-	CAM DESTEK TAKOZU(300mm) GLASS SUPPORT	2
10	B90-01-04	-	M8 DÜBEL + M8 ALTİKÖŞE SOMUN M8 DUBEL + M8 HEXAGON NUT	11

***Cam ve kapaklar sete dahil edilmemiştir.
Glass and covers are not included in the set.





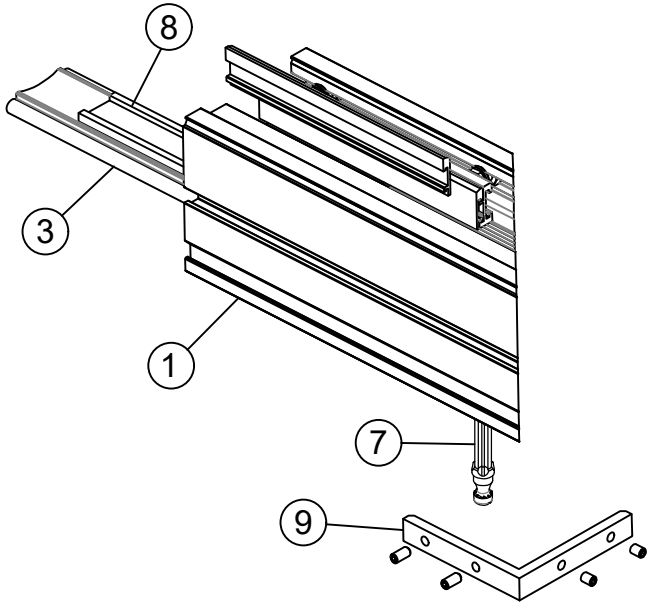
DETAY B
ÖLÇEK 1:2



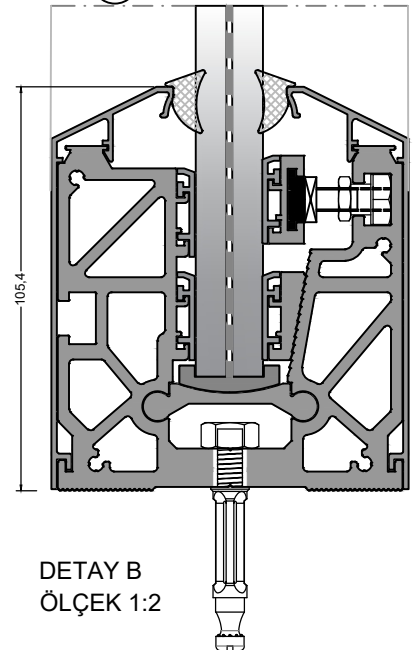
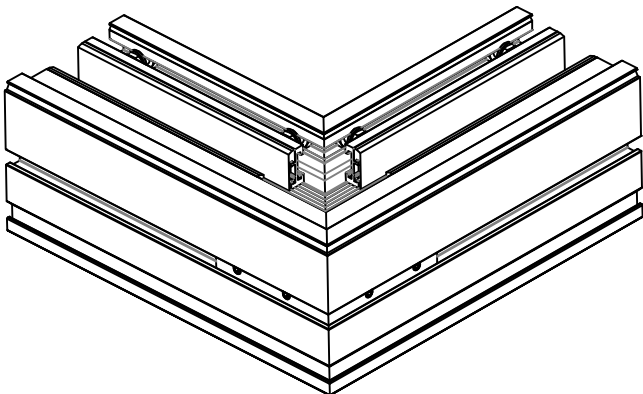
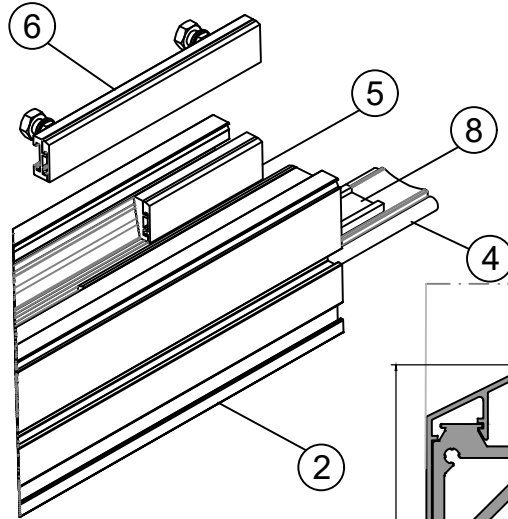
TİP-3 SET
TYPE-3 KIT



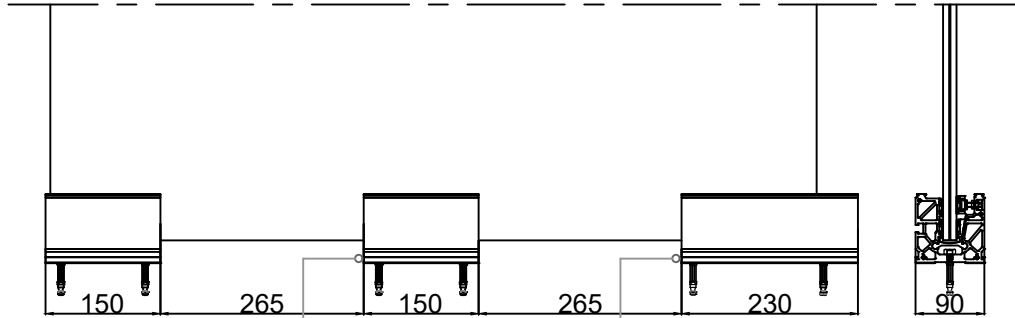
	KOD CODE	ÖLÇÜ MEASURE	TANIM DESCRIPTION	ADET NUMBER
1	B90-01-M011	23 cm	90'LİK ANA TAŞIYICI SOL (90°) MULLION (LEFT)	1
2	B90-01-M012	23 cm	90'LİK ANA TAŞIYICI SAĞ (90°) MULLION (RIGHT)	1
3	B90-01-M07	23 cm	CAM DESTEK PROFİLİ SOL (90°) GLASS SUPPORT PROFILE (LEFT)	1
4	B90-01-M08	23 cm	CAM DESTEK PROFİLİ SAĞ (90°) GLASS SUPPORT PROFILE (RIGHT)	1
5	B90-01-02	-	DİKEY SIKIŞTIRMA GRUBU VERTICAL PRESSING GROUP	2
6	B90-01-03	-	YATAY SIKIŞTIRMA GRUBU HORIZONTAL PRESSING GROUP	2
7	B90-01-04	-	M8 DÜBEL + M8 ALTİKÖŞE SOMUN M8 DUBEL + M8 HEXAGON NUT	4
8	B90-01-05	-	CAM ALTI TAKOZU GLASS SUPPORT	2
9	B90-01-06	-	KÖŞE ÇAVUŞU CORNER CONNECTION PART	1
10	B120-01-03	-	SIKIŞTIRMA PARÇASI CORNER CONNECTION PART	4



***Cam ve kapaklar sete dahil edilmemiştir.
Glass and covers are not included in the set.

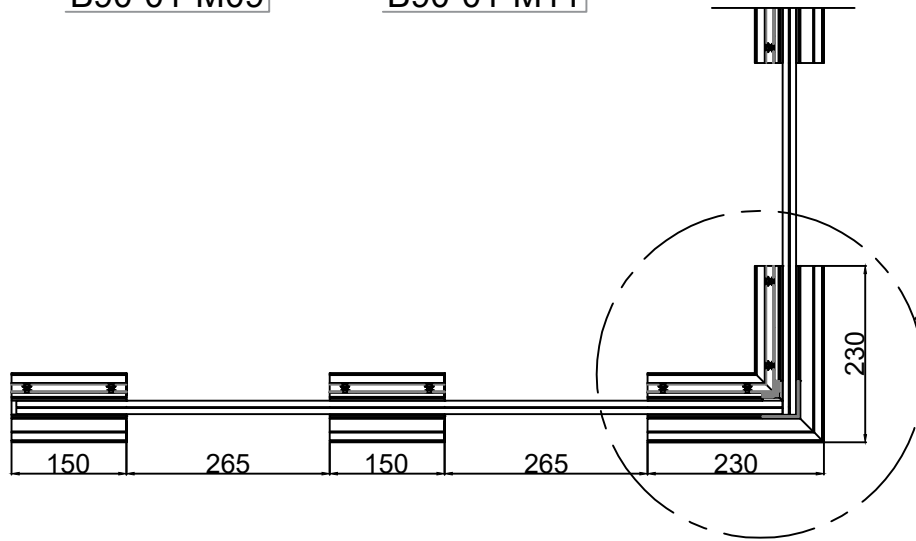


DETAY B
ÖLÇEK 1:2



B90-01-M09

B90-01-M11



B90-01-M011

