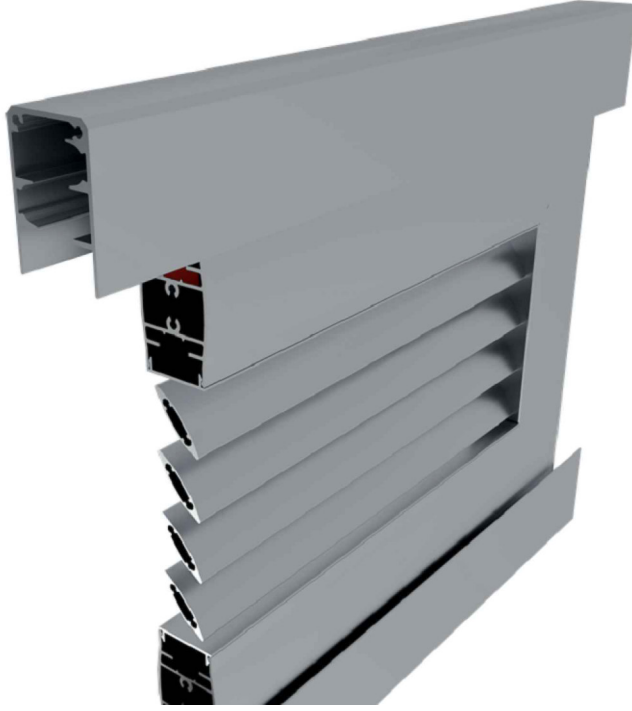


**MİMARİ KATALOG**  
ARCHITECTURAL CATALOGUE

**Alüminyum Konvansiyonel Sistemleri**  
Aluminium Conventional Systems



**RSC40**



## TEKNİK ÖZELLİKLERİ / TECHNICAL PROPERTIES

**KASA DERİNLİĞİ / FRAME DEPTH**

40/80 mm

## KULLANIM SEÇENEKLERİ / APPLICATION ALTERNATIVES

**GÜNEŞ KIRICI SİSTEMİ / BRISE-SOLEIL SYSTEM**

**SÜRME PANJUR ALTERNATİFİ / SLIDING SHUTTER SYSTEM**

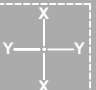
**MİMARİ KATALOG**  
**ARCHITECTURAL CATALOGUE**

**Alüminyum Konvansiyonel Sistemleri**  
Aluminium Conventional Systems

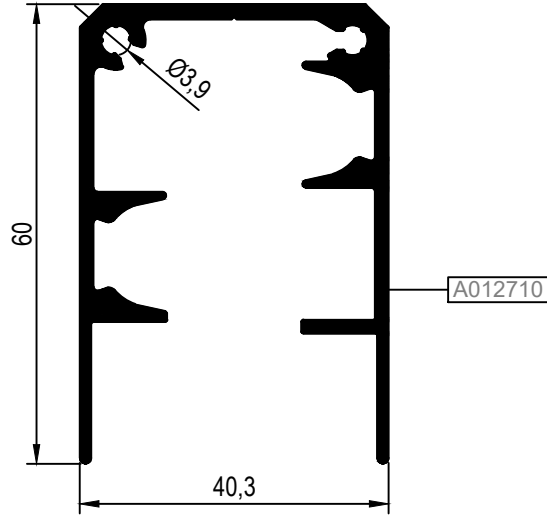
# RSC40

**PROFİLLER**

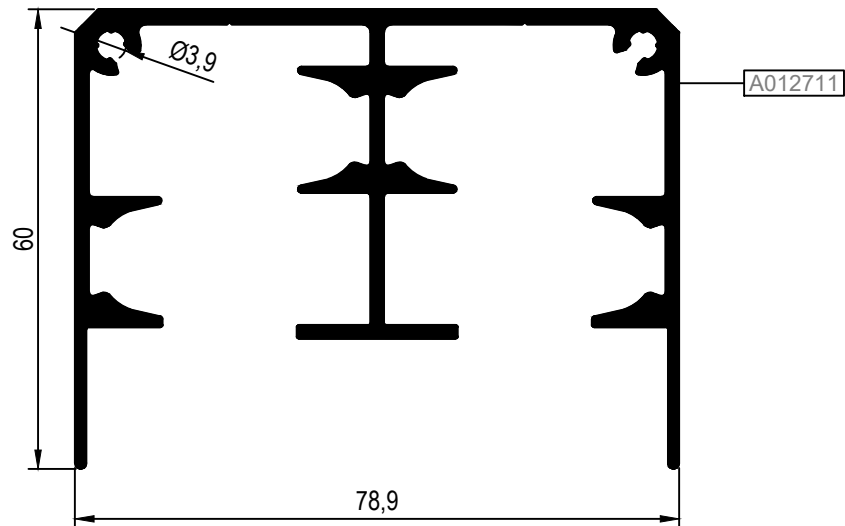
**PROFILES**

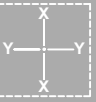
KOD / CODE	AĞIRLIK (kg/m) / WEIGHT	Jxx cm <sup>4</sup>	Jyy cm <sup>4</sup>	L m	
SC40F01	1,150	11,644	12,985	6	
SC40F02	1,878	53,783	19,392	6	

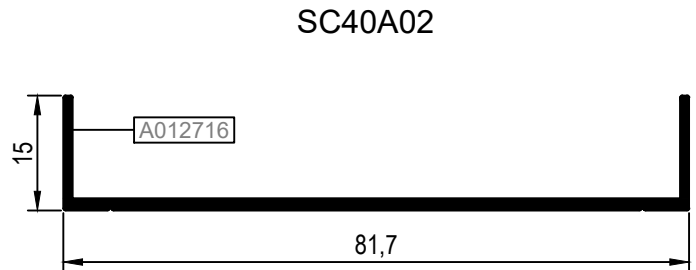
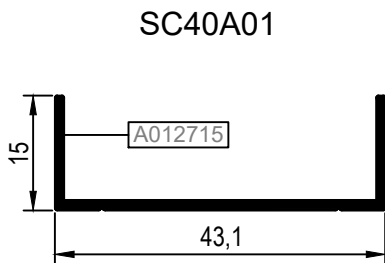
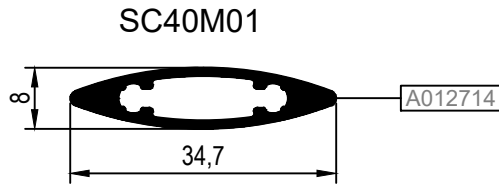
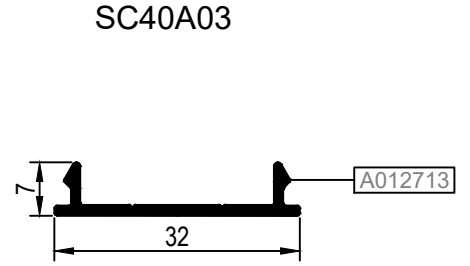
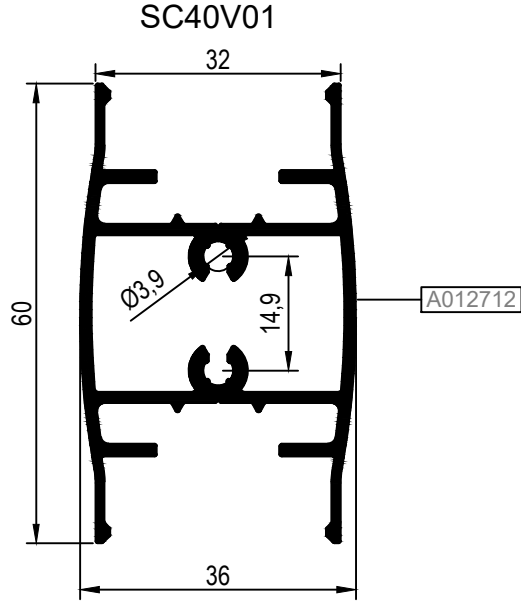
SC40F01



SC40F02



KOD / CODE	AĞIRLIK (kg/m) / WEIGHT	Jxx cm <sup>4</sup>	Jyy cm <sup>4</sup>	L m	
SC40V01	1,008	6,109	8,053	6	
SC40M01	0,308	0,763	0,051	6	
SC40A01	0,251	2,361	0,169	6	
SC40A02	0,457	12,424	0,195	6	
SC40A03	0,162	0,651	0,018	6	



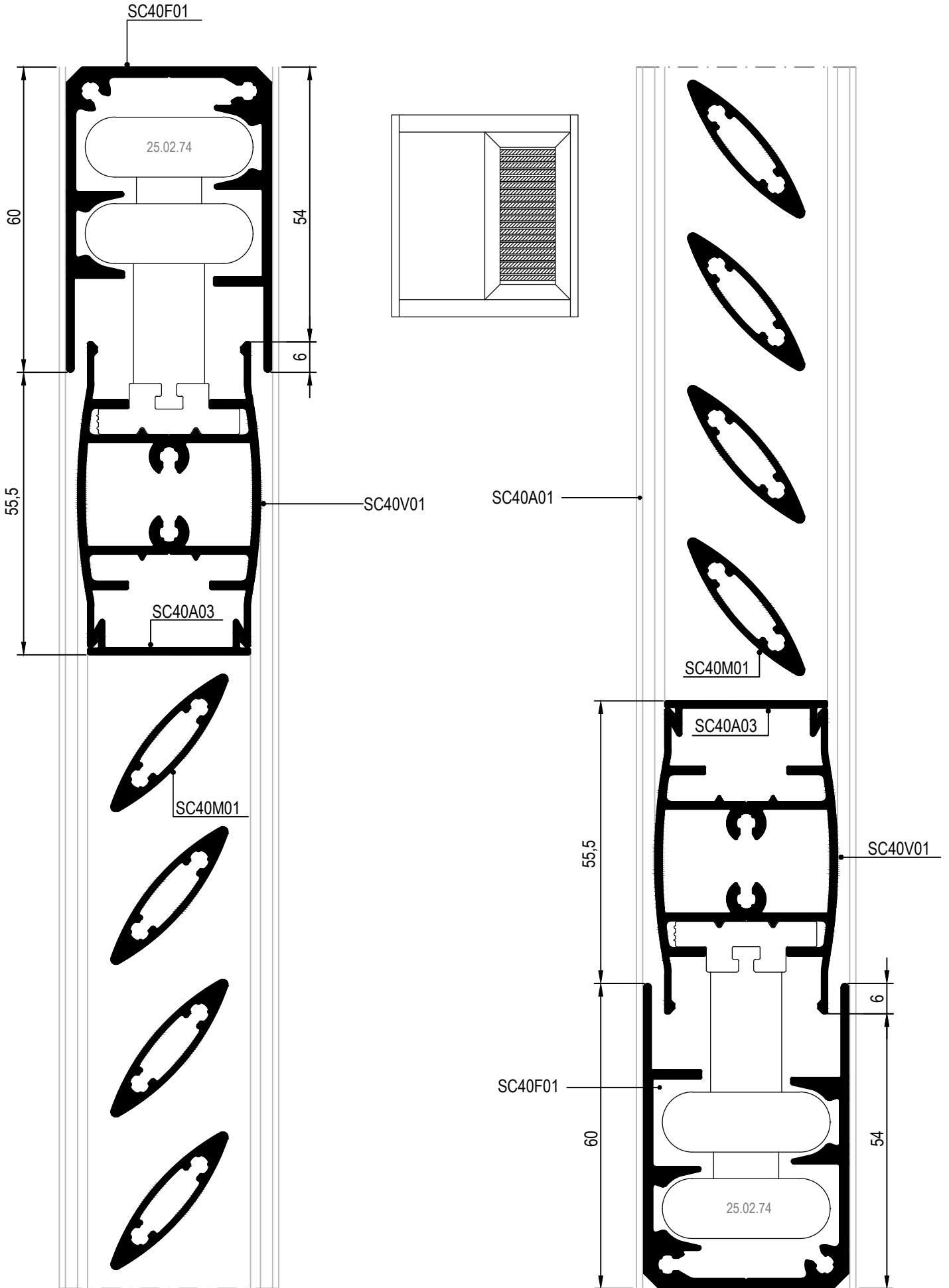
**MİMARİ KATALOG**  
ARCHITECTURAL CATALOGUE

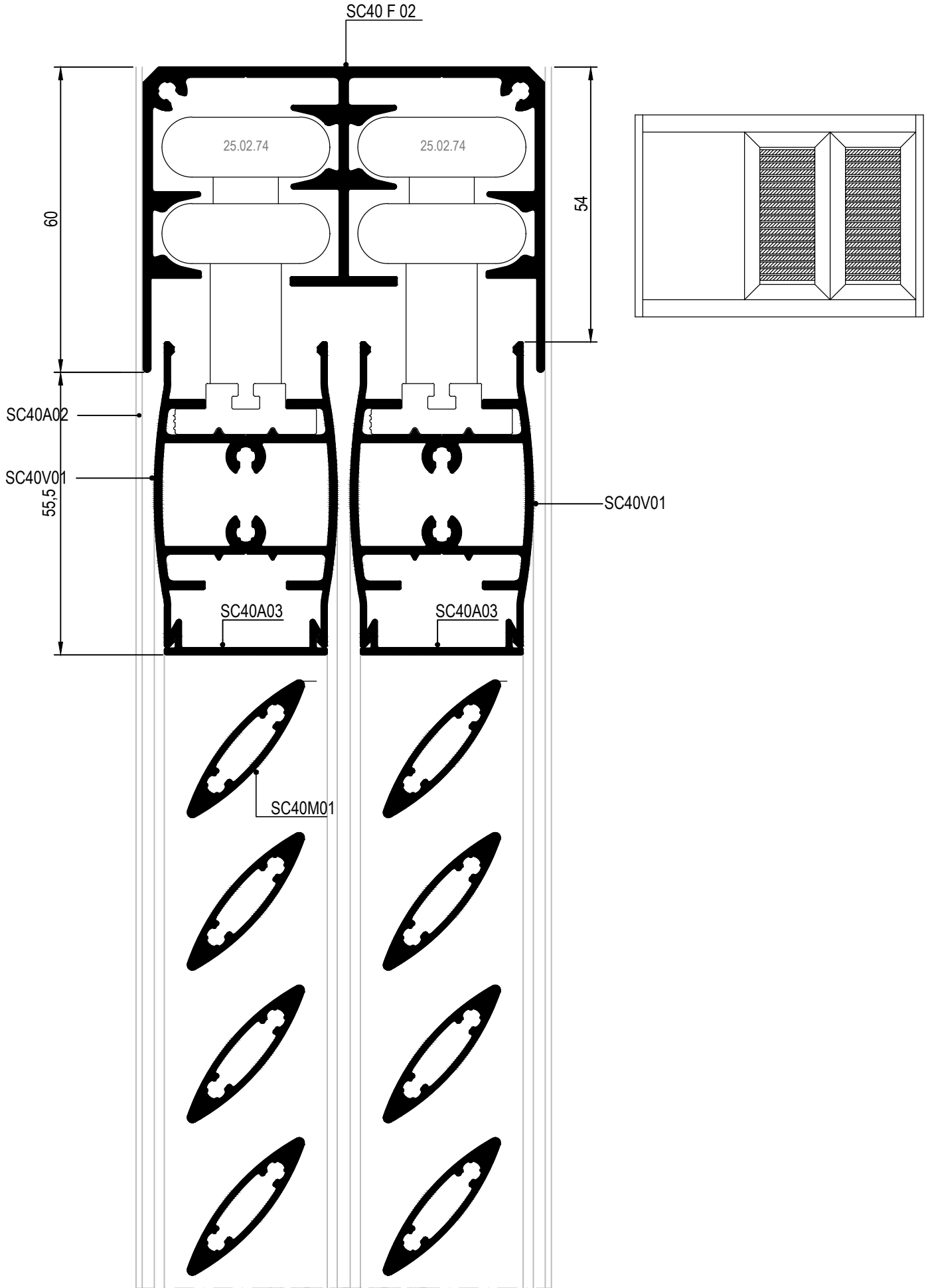
Alüminyum Konvansiyonel Sistemleri  
Aluminium Conventional Systems

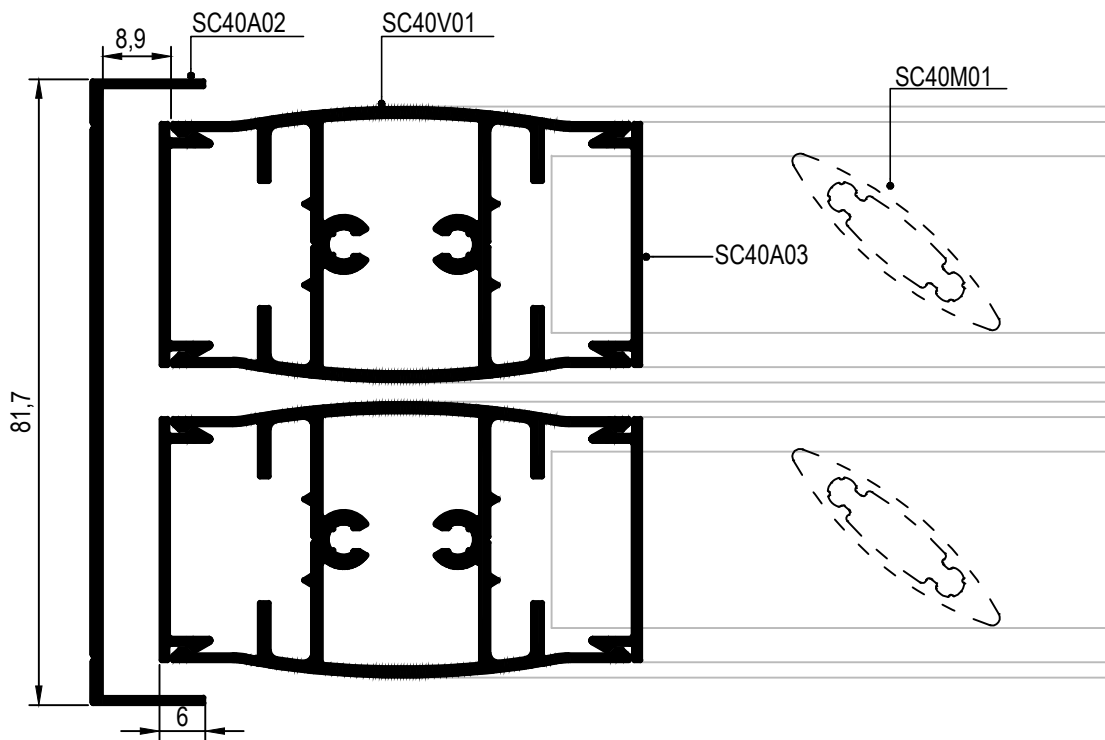
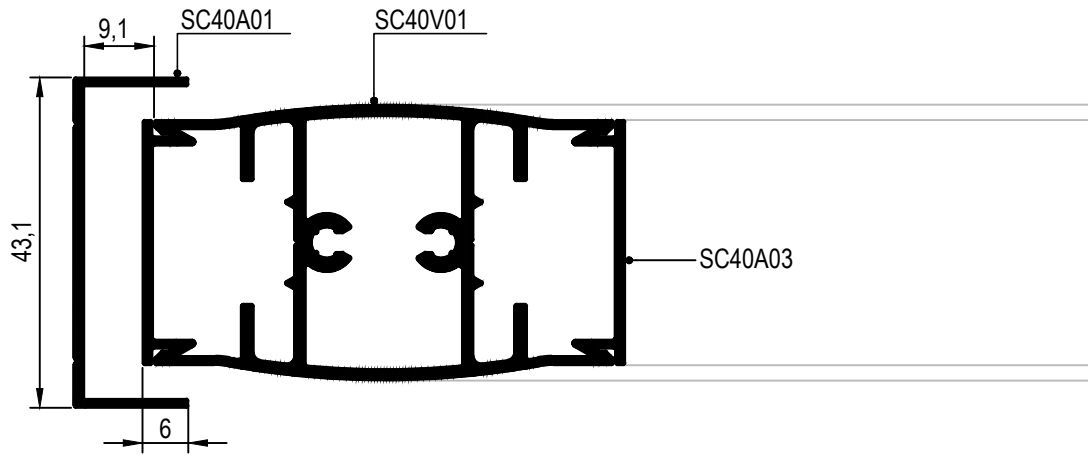
# RSC40

**DETAYLAR**

**DETAILS**







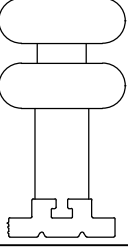
**MİMARİ KATALOG**  
**ARCHITECTURAL CATALOGUE**

**Alüminyum Konvansiyonel Sistemleri**  
Aluminium Conventional Systems

# RSC40

**AKSESUARLAR**

**ACCESSORIES**

	<p>25.02.74</p> <p>DÜZ TEKER SIMPLE ROLLER</p>	