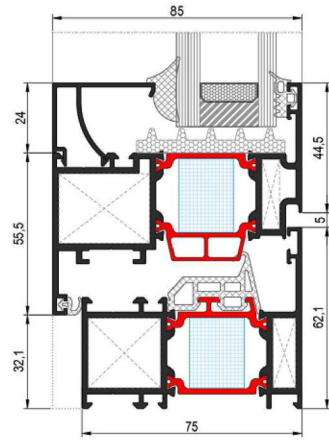
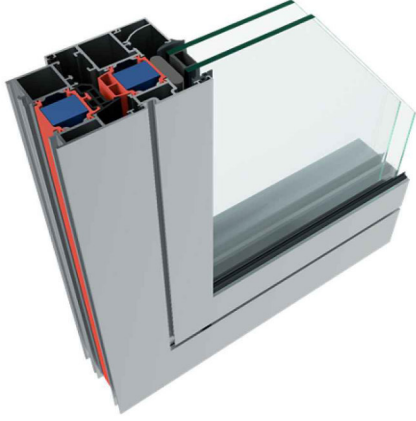


**MİMARİ KATALOG**  
**ARCHITECTURAL CATALOGUE**

**Alüminyum Kapı ve Pencere Sistemleri**  
Aluminium Door and Window Systems



**RWT75**




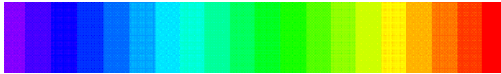

TEKNİK ÖZELLİKLER / TECHNICAL PROPERTIES

KASA DERİNLİĞİ / FRAME DEPTH	75mm
KANAT DERİNLİĞİ / VENT DEPTH	75 / 85mm
PROFİL ET KALINLIĞI / PROFILE GLASS THICKNESS	1,6 / 2mm
MAKS. CAM KALINLIĞI / MAX. GLASS THICKNESS	48mm / 58mm
ISI BARIYERLERİ / THERMAL INSULATION BAR	34mm

KULLANIM SEÇENEKLERİ / APPLICATION ALTERNATIVES

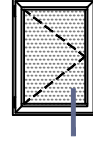
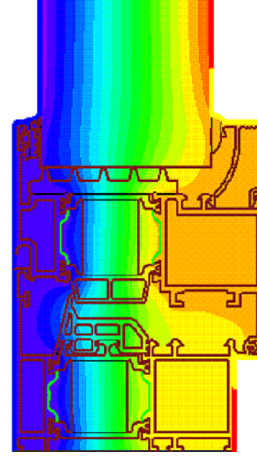
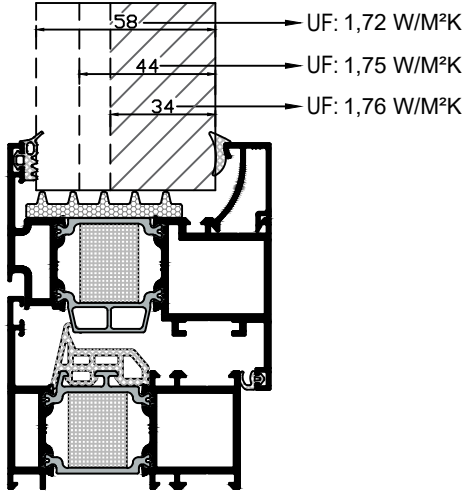
	KAPI DOOR	PENCERE WINDOW
İÇE AÇILIR / INWARD OPENING	•	•
DIŞA AÇILIR / OUTWARD OPENING	•	•
VASİSTAS / BOTTOM HUNG		•
İÇE AÇILIR HEMİYÜZ KAPI / INWARD OPENING FLUSH DOOR	•	
ÇİFT EKSEN AÇILIM / TILT&TURN OPENING	•	•
PVC AKSESUAR İÇİN KANAT / VENT FOR PVC ACCESSORIES	•	•
ÇEK&SÜR / TILT&SLIDE	•	•

PERFORMANS DEĞERLERİ / PERFORMANCE VALUES 

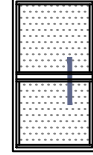
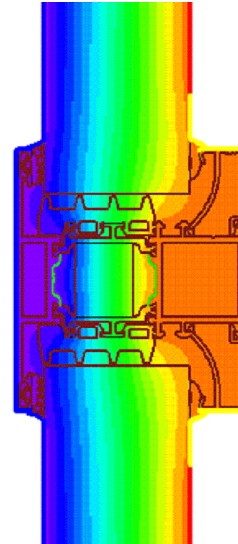
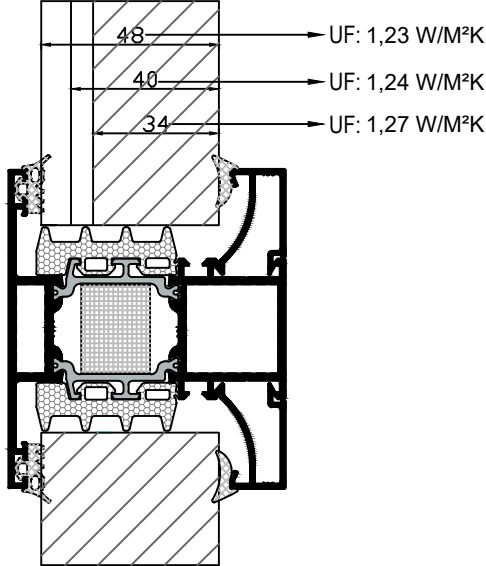
HAVA GEÇİRGENLİĞİ - EN 12207 (AIR PERMEABILITY)	1 (150 Pa)	2 (300 Pa)	3 (450 Pa)	4 (600 Pa)						
SU SIZDIRMAZLIĞI - EN 12208 (WATERTIGHTNESS)	2A (50 Pa)	3A (100 Pa)	4A (150 Pa)	5A (200 Pa)	6A (250 Pa)	7A (300 Pa)	8A (450 Pa)	9A (600 Pa)	E... (600+ Pa)	E1650 (1650 Pa)
RÜZGAR YÜKÜNE DAYANIM - EN 12210 (RESISTANCE TO WIND LOAD)	1 (400 Pa)	2 (800 Pa)	3 (1200 Pa)	4 (1600 Pa)	5 (2000 Pa)	E... (2000+ Pa)				
SEHİM KRİTERİ - EN 12210 (DEFLECTION CRITERIA)	A (L/150)	B (L/200)	C (L/300)							
STATİK BURULMA - TS EN 13115 (STATIC TORSION)	4 (350 N)									
SİSTEM UF DEĞERİ - EN 10077-2 (THERMAL INSULATION VALUE)					1,23~1,93 W/m²K					
SİSTEM SES YALITIMI - TS EN ISO 717-1 (ACOUSTIC PERFORMANCE VALUE)					Rw(C;Ctr)=42(-2;-6) dB					

## ISI YALITIM DEĞERLERİ (UF) / THERMAL INSULATION VALUE (UF):

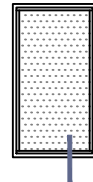
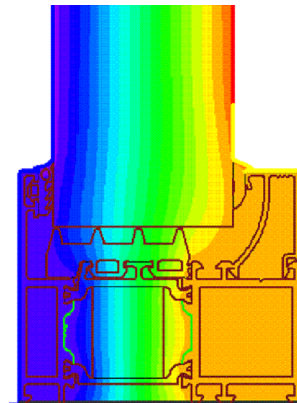
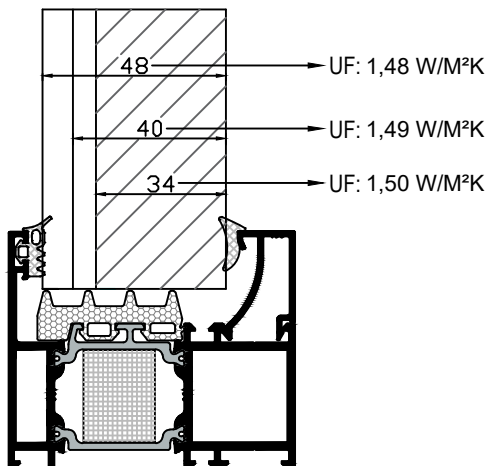
Cam Kalınlıkları (glass thickness) : min. 29mm - max. 58mm



Cam Kalınlıkları (glass thickness) : min. 23mm - max. 48mm



Cam Kalınlıkları (glass thickness) : min. 23mm - max. 48mm



**Hesaplanan ısı performans değerleri sistemin straforlu olarak kullanımı halinde geçerlidir.**

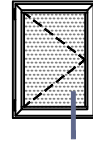
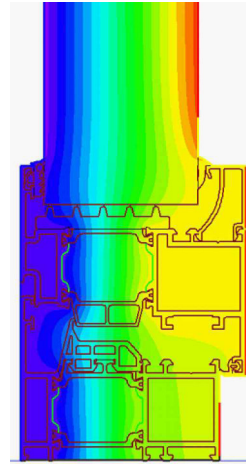
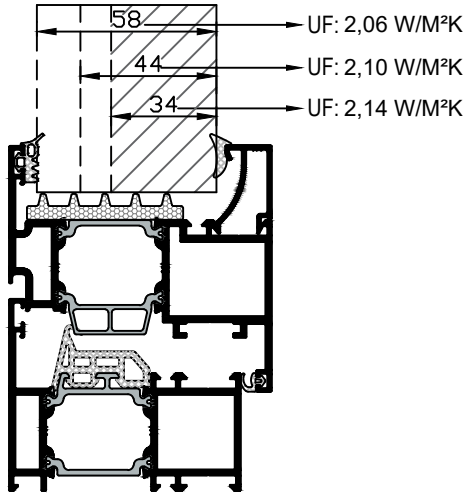
**Straforsuz kullanım için sipariş aşamasında müşteri temsilcisine bilgi verilmelidir.**

Calculated thermal performance values are valid if the system is used with styrofoam.

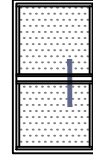
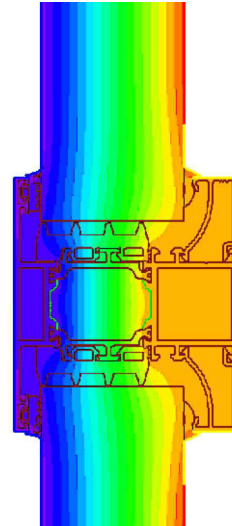
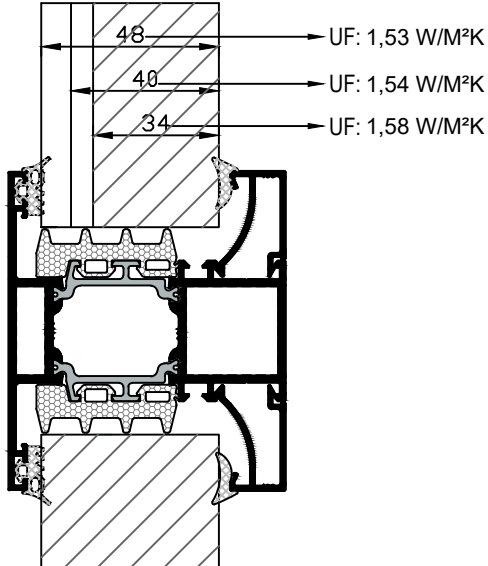
For use without styrofoam, the customer representative must be informed when ordering.

## ISI YALITIM DEĞERLERİ (UF) / THERMAL INSULATION VALUE (UF):

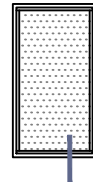
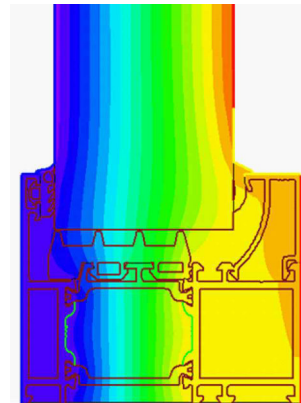
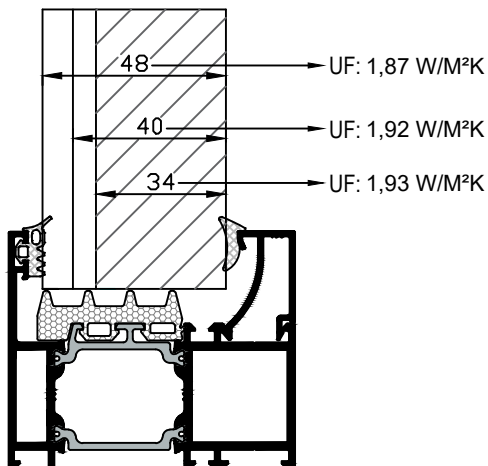
Cam Kalınlıkları (glass thickness) : min. 29mm - max. 58mm



Cam Kalınlıkları (glass thickness) : min. 23mm - max. 48mm



Cam Kalınlıkları (glass thickness) : min. 23mm - max. 48mm



**Hesaplanan ısı performans değerleri sistemin straforsuz olarak kullanımı halinde geçerlidir.**

**Straforlu kullanım için sipariş aşamasında müşteri temsilcisine bilgi verilmelidir.**

Calculated thermal performance values are valid if the system is without styrofoam.

For use with styrofoam, the customer representative must be informed when ordering.

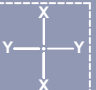
**MİMARİ KATALOG**  
ARCHITECTURAL CATALOGUE

Alüminyum Kapı ve Pencere Sistemleri  
Aluminium Door and Window Systems

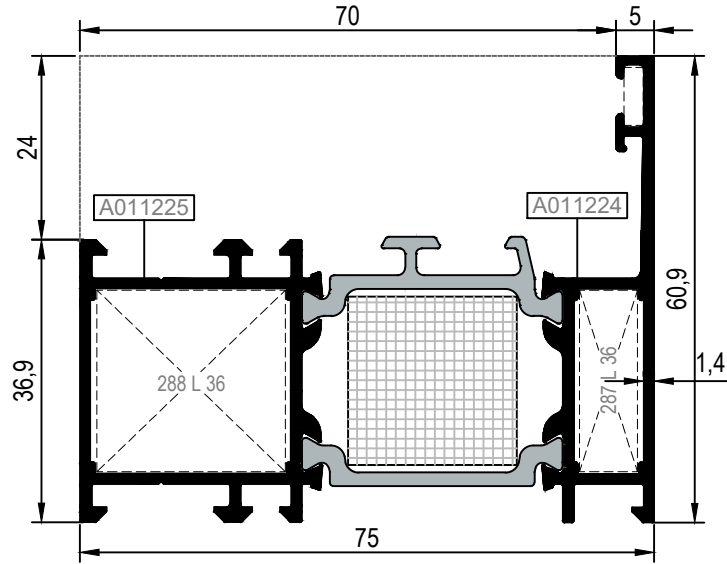
# RWT75

**PROFİLLER**

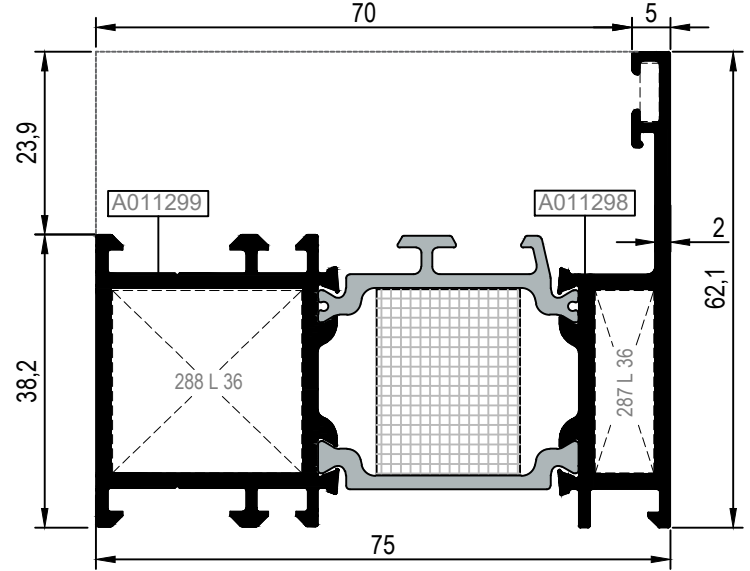
**PROFILES**

KOD / CODE	AĞIRLIK (kg/m) / WEIGHT	Jxx cm4	Jyy cm4	L m	
AMT75F02	1,482	26,305	10,363	6	
AMT75F05	2,078	43,378	27,169	6	
AMT75F03	1,774	32,727	12,297	6	

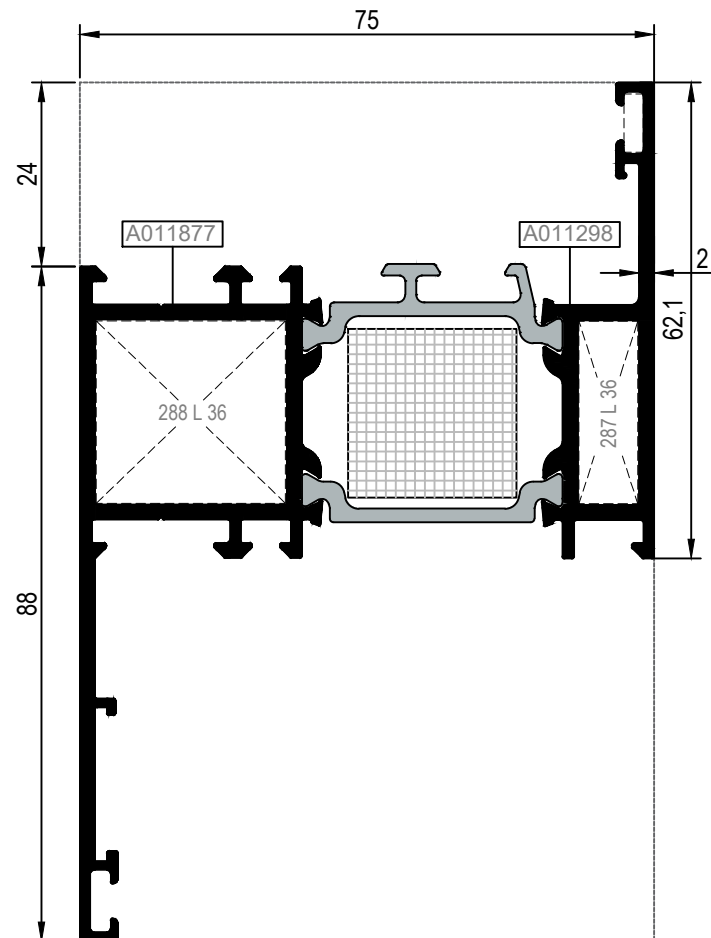
AMT75F02





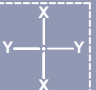
AMT75F03



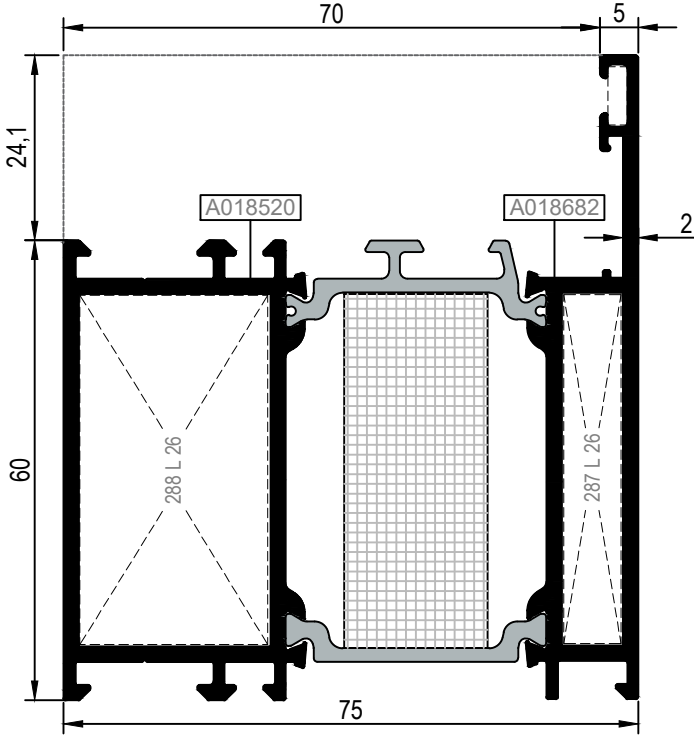
AMT75F05



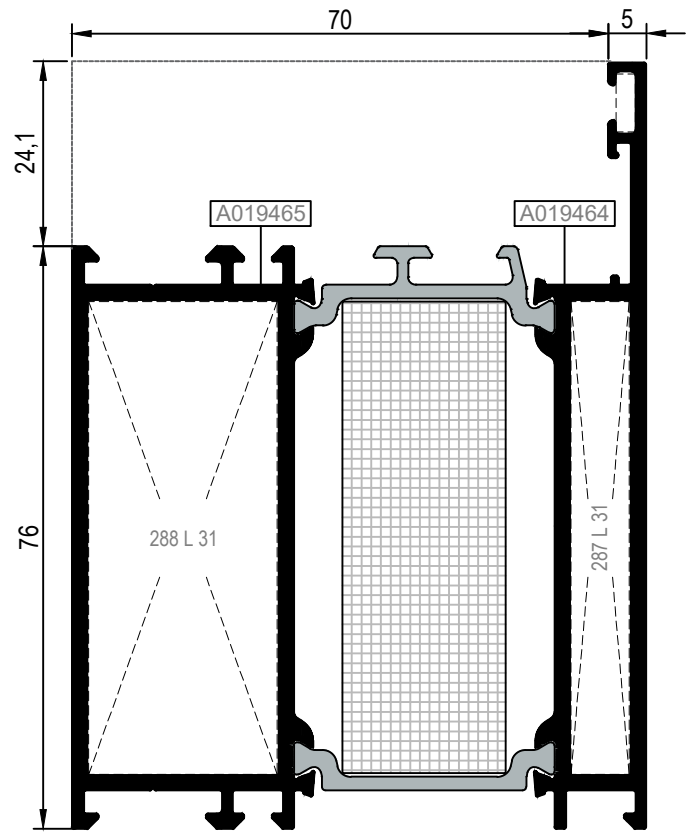
Nr		 L m	KESİM ÖLÇÜSÜ CUTTING SIZE	 AKS. KODU ACS. CODE
AMT75F02	A011225	25L36 (A002397)	24,6 mm	288 L 36
	A011224	25L36 (A002397)	7,6 mm	287 L 36
AMT75F03	A011299	25L36 (A002397)	24,6 mm	288 L 36
	A011298	25L36 (A002397)	7,6 mm	287 L 36
AMT75F05	A011877	25L36 (A002397)	24,6 mm	288 L 36
	A011298	25L36 (A002397)	7,6 mm	287 L 36





KOD / CODE	AĞIRLIK (kg/m) / WEIGHT	Jxx cm <sup>4</sup>	Jyy cm <sup>4</sup>	L m	
AMT75F08	2,235	43,938	35,114	6	
AMT75F09	2,584	52,038	62,60	6	

AMT75F08



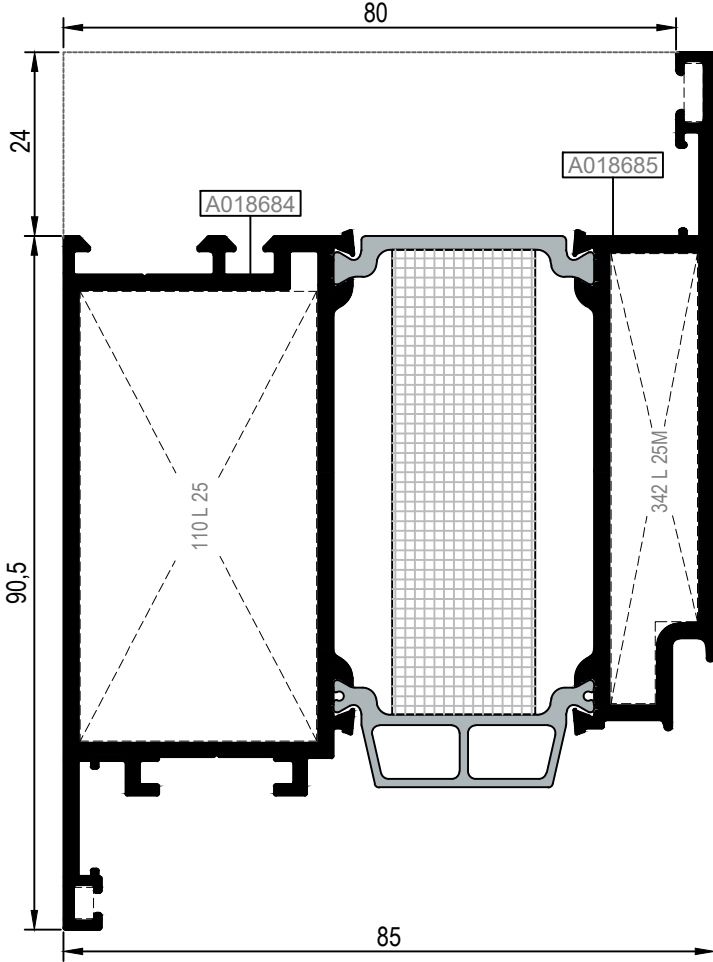
AMT75F09



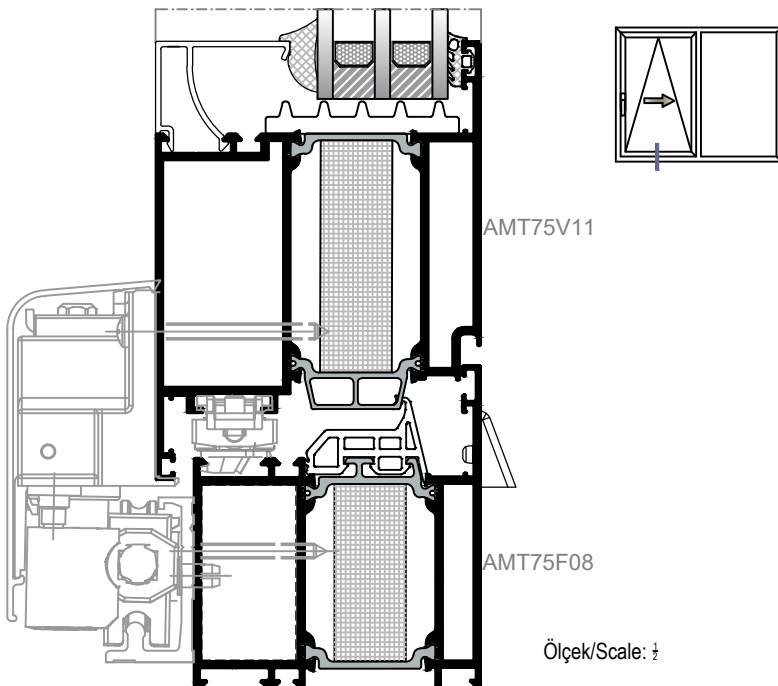
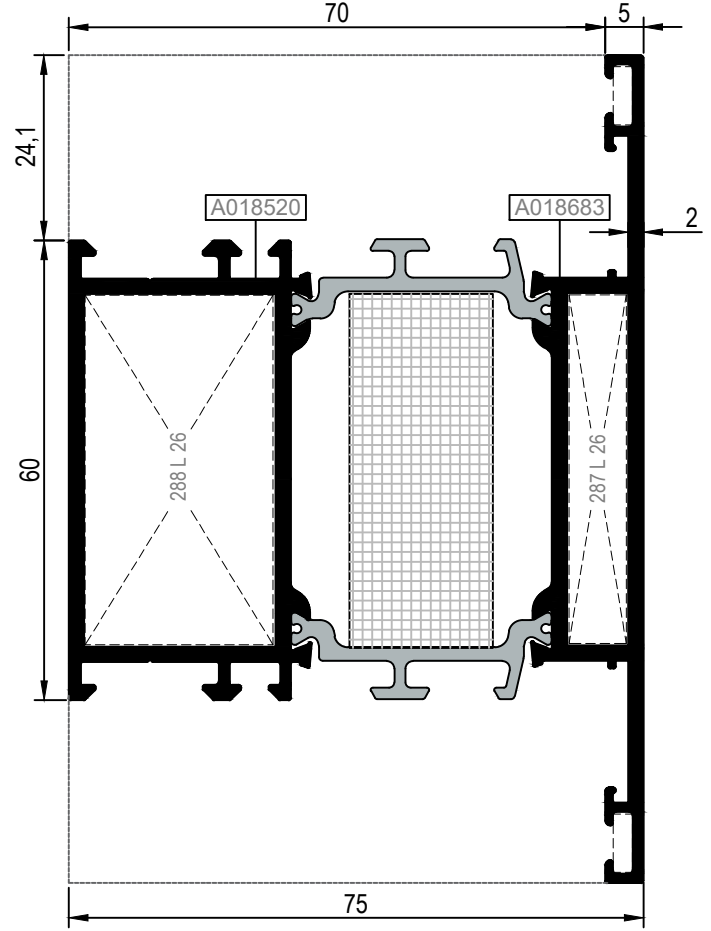
Nr	 L m	KESİM ÖLÇÜSÜ CUTTING SIZE	 AKS. KODU ACS. CODE
AMT75F08	A018520 25J27 (A011352)	45,5 mm	136 J 27
	A018682 25J43 (A011874)	45,5 mm	136 J 43
Nr	 L m	KESİM ÖLÇÜSÜ CUTTING SIZE	 AKS. KODU ACS. CODE
AMT75F08	A018520 25L26 (A010540)	24,6 mm	288 L 26
	A018682 25L26 (A010540)	7,6 mm	287 L 26
AMT75F09	A019465 25L31 (A010545)	24,6 mm	288 L 31
	A019464 25L31 (A010545)	7,6 mm	287 L 31

KOD / CODE	AĞIRLIK (kg/m) / WEIGHT	Jxx cm <sup>4</sup>	Jyy cm <sup>4</sup>	L m	
AMT75M11	2,405	47,987	45,832	6	
AMT75V11	2,759	69,862	69,90	6	

AMT75V11



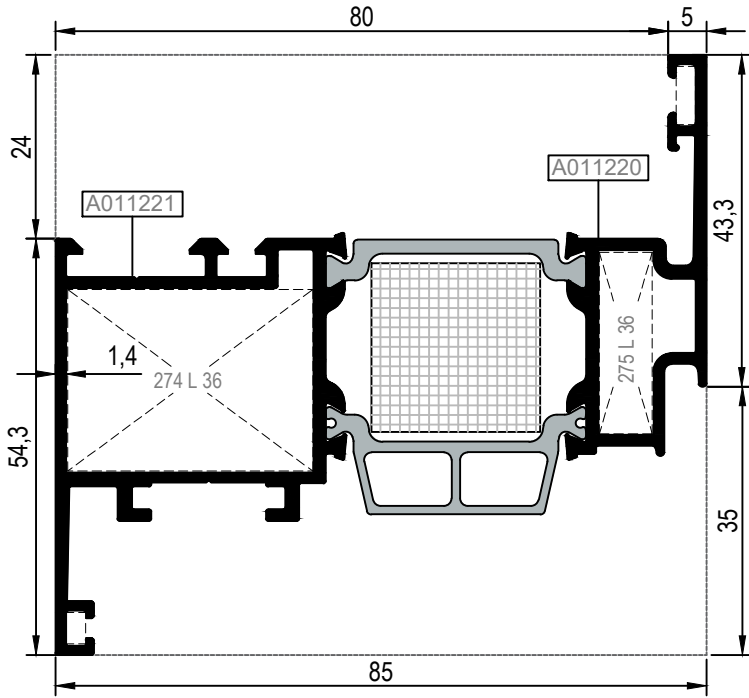
AMT75M11



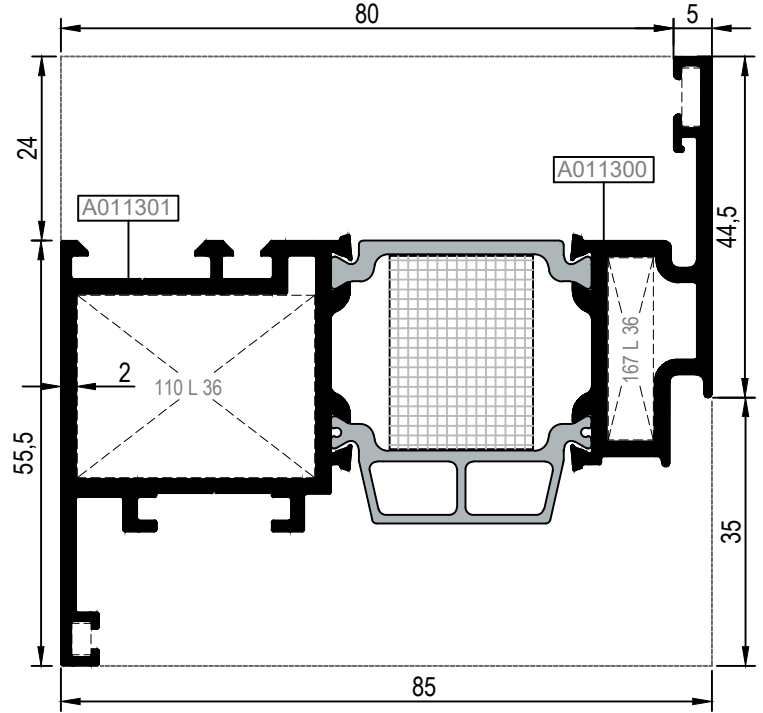
Nr		KESİM ÖLÇÜSÜ CUTTING SIZE	AKS. KODU ACS. CODE
AMT75M11	A018520 25J27 (A011352)	45,5 mm	136 J 27
	A018683 25J43 (A011874)	45,5 mm	136 J 43
Nr		KESİM ÖLÇÜSÜ CUTTING SIZE	AKS. KODU ACS. CODE
AMT75M11	A018520 25L26 (A010540)	24,6 mm	288 L 26
	A018683 25L26 (A010540)	7,6 mm	287 L 26
AMT75V11	A018684 25L25 (A010539)	30,9 mm	110 L 25
	A018685 25L25(A010539M01)	11,3 mm	342 L 25M

KOD / CODE	AĞIRLIK (kg/m) / WEIGHT	Jxx cm <sup>4</sup>	Jyy cm <sup>4</sup>	L m	
AMT75V02	1,673	38,361	14,133	6	
AMT75V03	1,879	52,561	25,988	6	
AMT75V04	2,022	47,465	16,841	6	

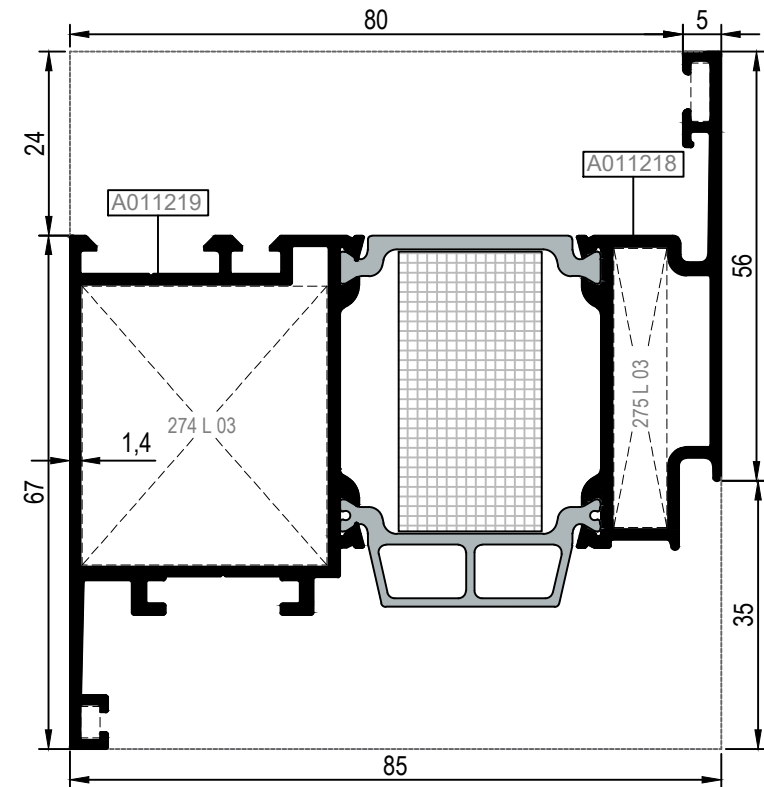
AMT75V02





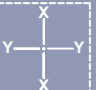
AMT75V04



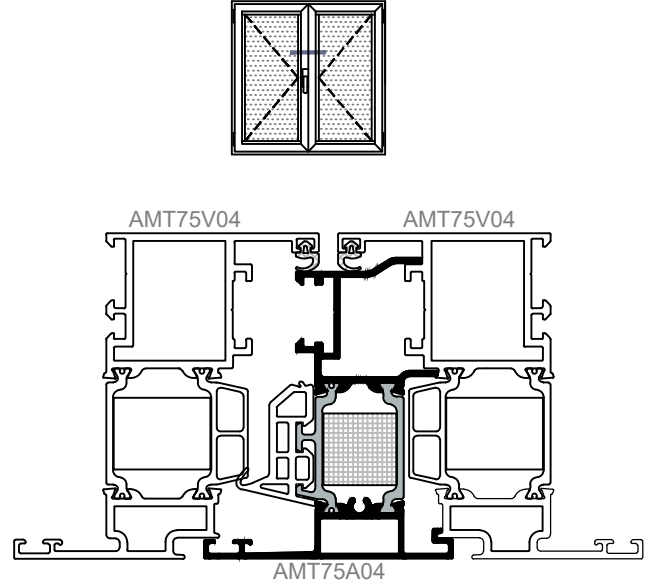
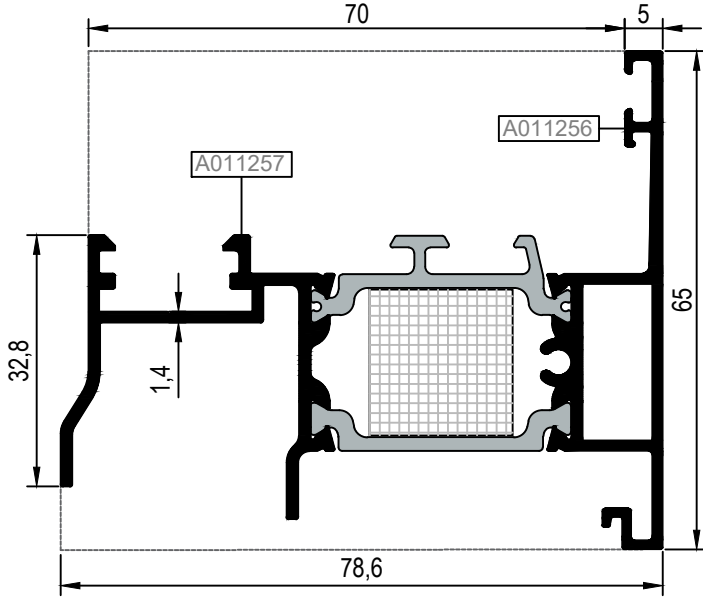
AMT75V03



Nr	 L m	KESİM ÖLÇÜSÜ CUTTING SIZE	 AKS. KODU ACS. CODE	
AMT75V02	A011221	25L36 (A002397)	31,9 mm	274 L 36
	A011220	25L36 (A002397)	6,8 mm	275 L 36
AMT75V04	A011301	25L36 (A002397)	30,9 mm	110 L 36
	A011300	25L36 (A002397)	5,8 mm	167 L 36
AMT75V03	A011219	25L03 (A002021)	31,9 mm	274 L 03
	A011218	25L03 (A002021)	6,8 mm	275 L 03

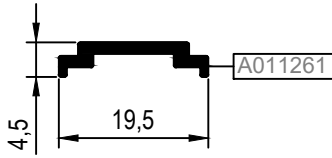
KOD / CODE	AĞIRLIK (kg/m) / WEIGHT	Jxx cm <sup>4</sup>	Jyy cm <sup>4</sup>	L m	
AMT75A04	1,397	24,337	8,346	6	
25I06	0,104	----	----	6	
25I07	0,143	----	----	6	
MT75A12	0,22	----	----	6	

AMT75A04

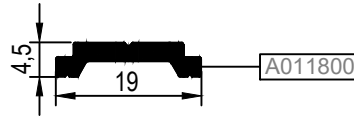


Ölçek/Scale: 1/2

25I06

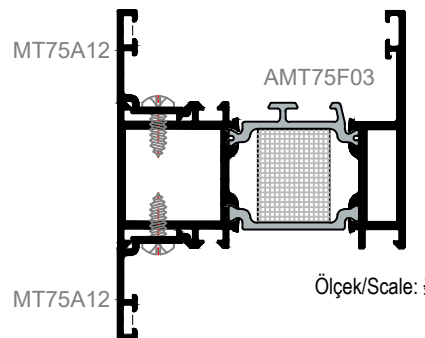
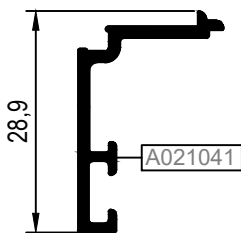


25I07\*



\*\*\*Giesse kol ve kilitleme aksesuarları sadece 25 I 07 tij profili ile kullanılmalıdır.  
Giesse handle and locking accessories should be used with only 25 I 07 rod profile

MT75A12

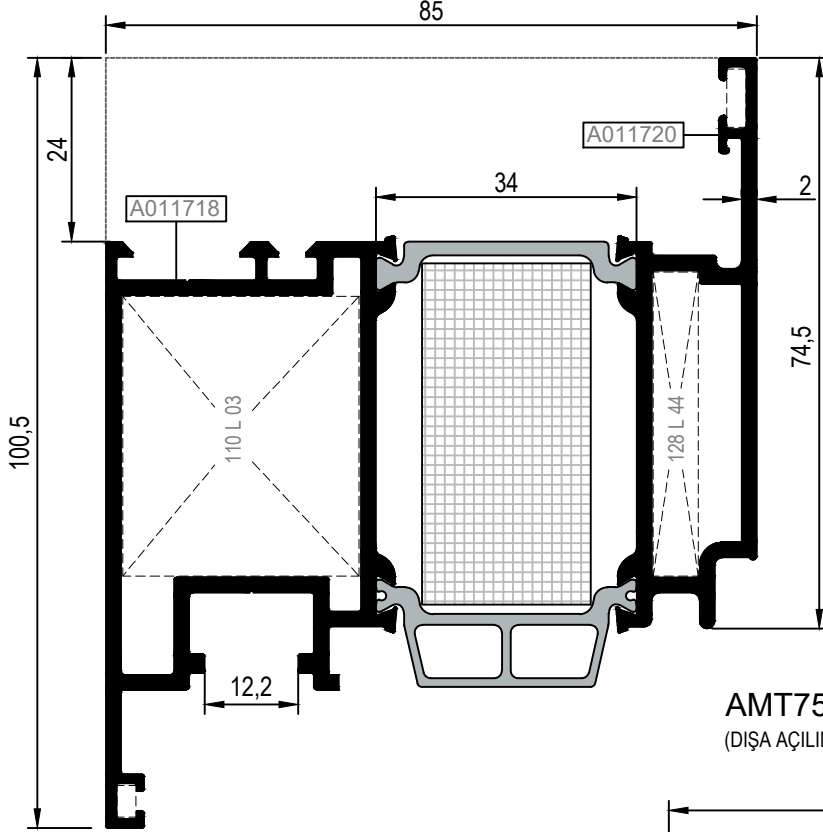


Ölçek/Scale: 1/2

KOD / CODE	AĞIRLIK (kg/m) / WEIGHT	Jxx cm <sup>4</sup>	Jyy cm <sup>4</sup>	L m	
AMT75DV05	2,556	62,125	42,495	6	
AMT75DV06	2,509	59,275	40,131	6	

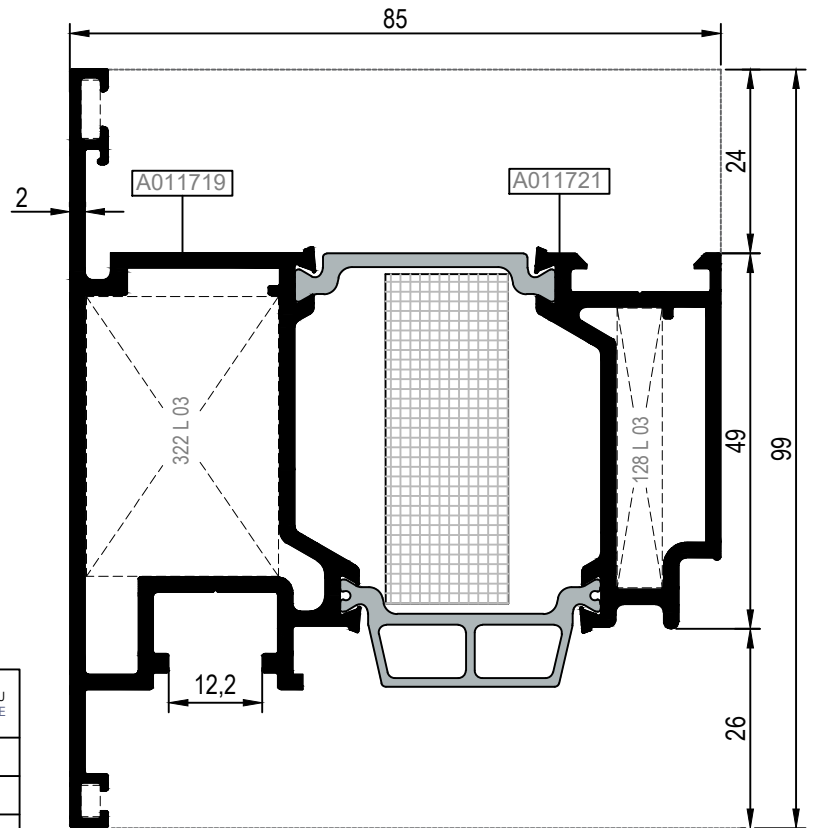
## AMT75DV05



(İÇE AÇILIM KAPI KANADI / INWARD OPENING DOOR VENT)



## AMT75DV06

(DIŞA AÇILIM KAPI KANADI / OUTWARD OPENING DOOR VENT)



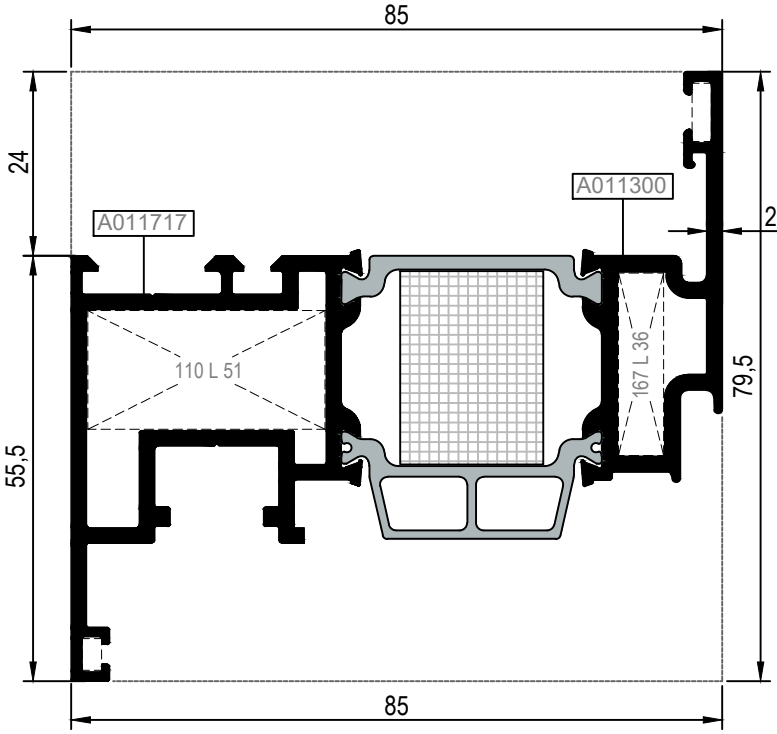
Nr	 L m	KESİM ÖLÇÜSÜ CUTTING SIZE	 AKS. KODU ACS. CODE	
AMT75DV05	A011718	25L03 (A002021)	30,9 mm	110 L 03
	A011720	25L44 (A010786)	5,9 mm	128 L 44
AMT75DV06	A011719	25L03 (A002021)	24,9 mm	322 L 03
	A011721	25L03 (A002021)	5,9 mm	128 L 03

KANAT PROFİLLERİ (PVC AKSESUARINA UYGUN - 9 AKS)  
VENT PROFILES (FOR PVC ACCESSORY - 9 AXLE)

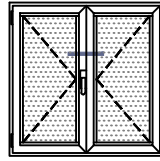
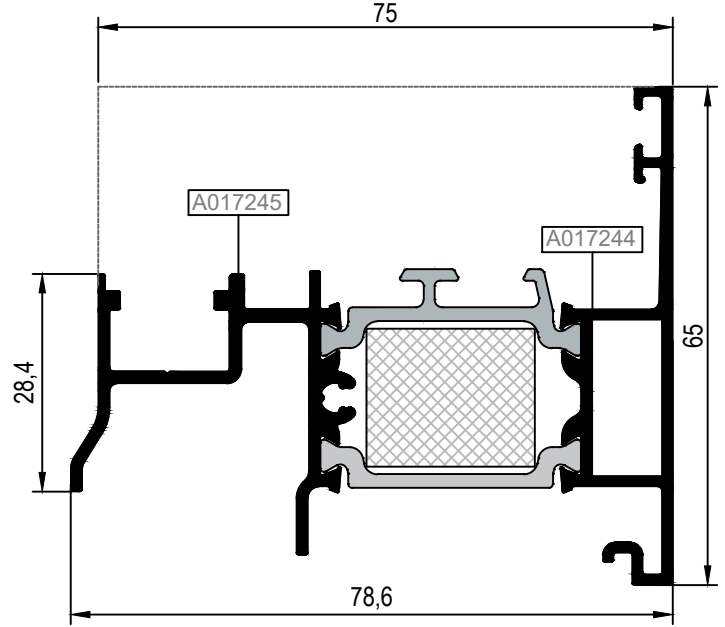
# RWT75

KOD / CODE	AĞIRLIK (kg/m) / WEIGHT	Jxx cm <sup>4</sup>	Jyy cm <sup>4</sup>	L m	
AMT75V05	2,094	48,632	16,542	6	
AMT75A05	1,403	--	--	6	

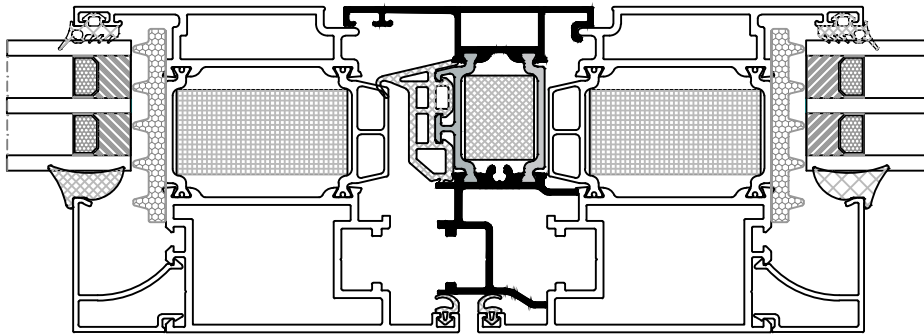
AMT75V05



AMT75A05



AMT75A05

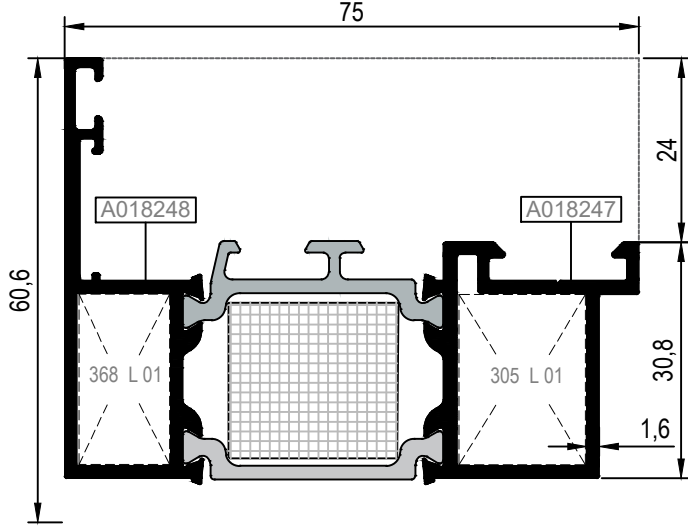


Ölçek/Scale: 1/2

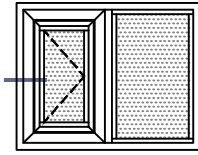
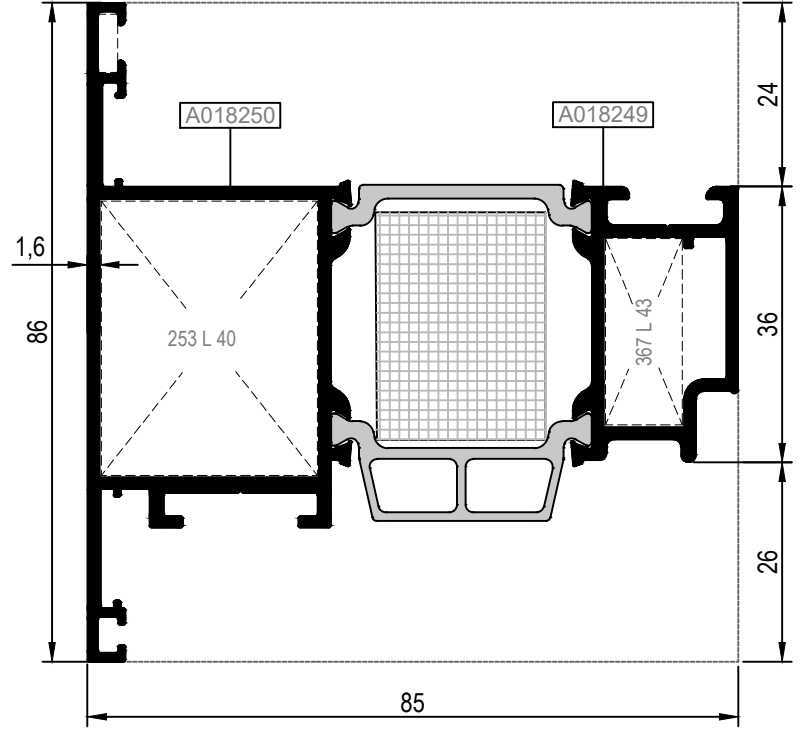
Nr		L m	KESİM ÖLÇÜSÜ CUTTING SIZE	AKS. KODU ACS. CODE
AMT75V05	A011717	25L51 (A010887)	30,9 mm	110 L 51
	A011300	25L36 (A002397)	5,8 mm	167 L 36

KOD / CODE	AĞIRLIK (kg/m) / WEIGHT	Jxx cm <sup>4</sup>	Jyy cm <sup>4</sup>	L m	
AMT75V08	1,882	42,45	21,85	6	
AMT75A07	1,397	23,13	8,00	6	

AMT75A07

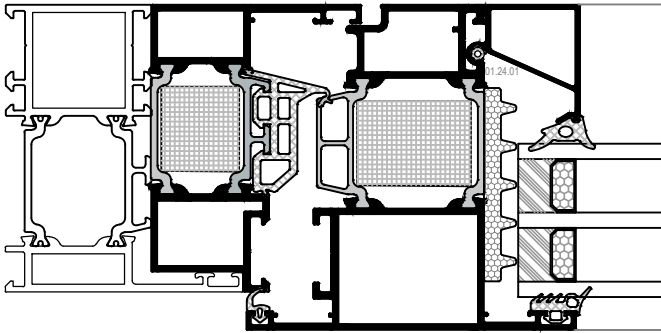


AMT75V08





AMT75A07

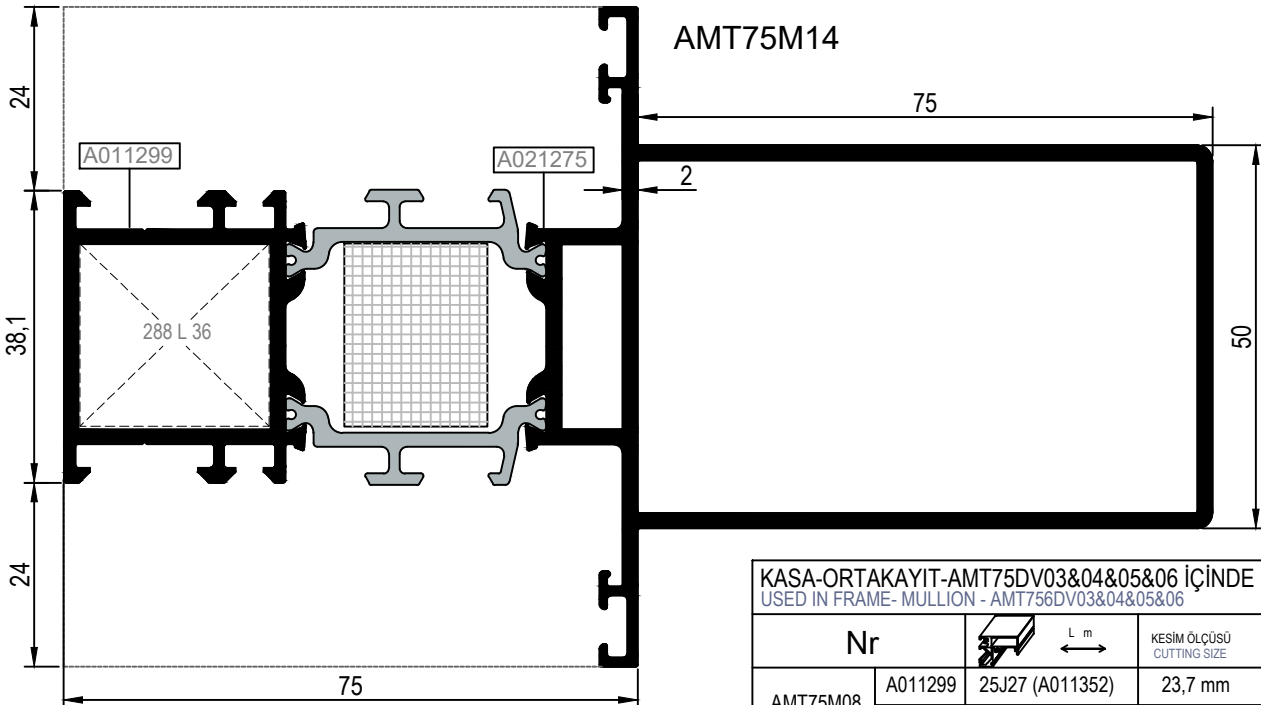
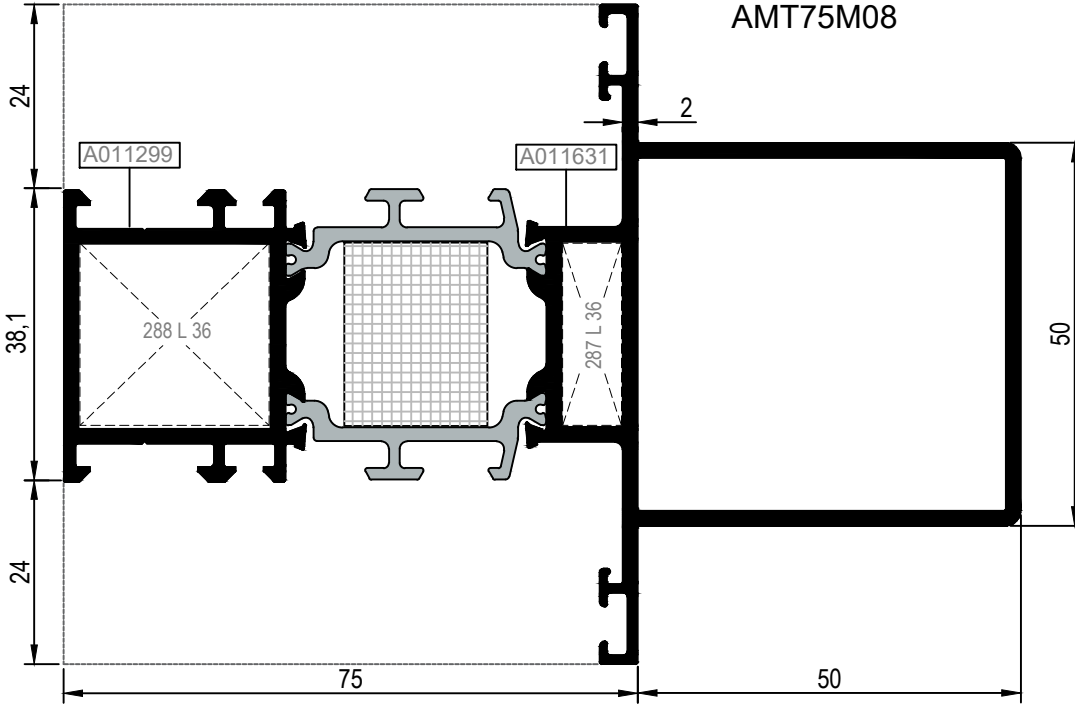
AMT75V08



Ölçek/Scale: 1:1

Nr	 L m	KESİM ÖLÇÜSÜ CUTTING SIZE	 AKS. KODU ACS. CODE	
AMT75V08	A018250	25L40 (A010702)	28,2 mm	253 L 40
	A018249	25L43 (A010785)	10,0 mm	367 L 43
AMT75A07	A018248	25L01 (A002019)	11,8 mm	368 L 01
	A018247	25L01 (A002019)	16,5 mm	305 L 01

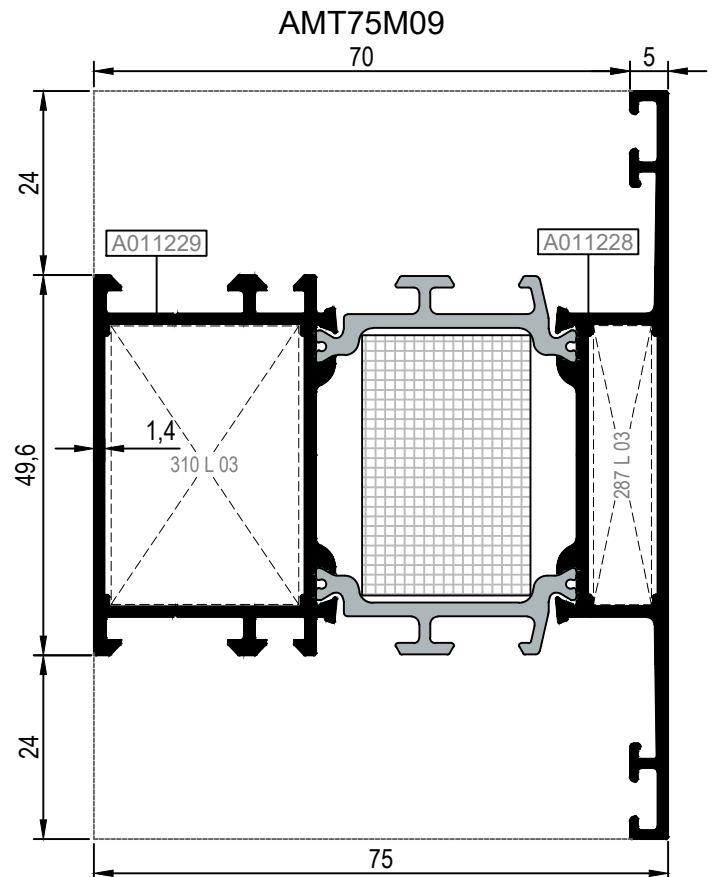
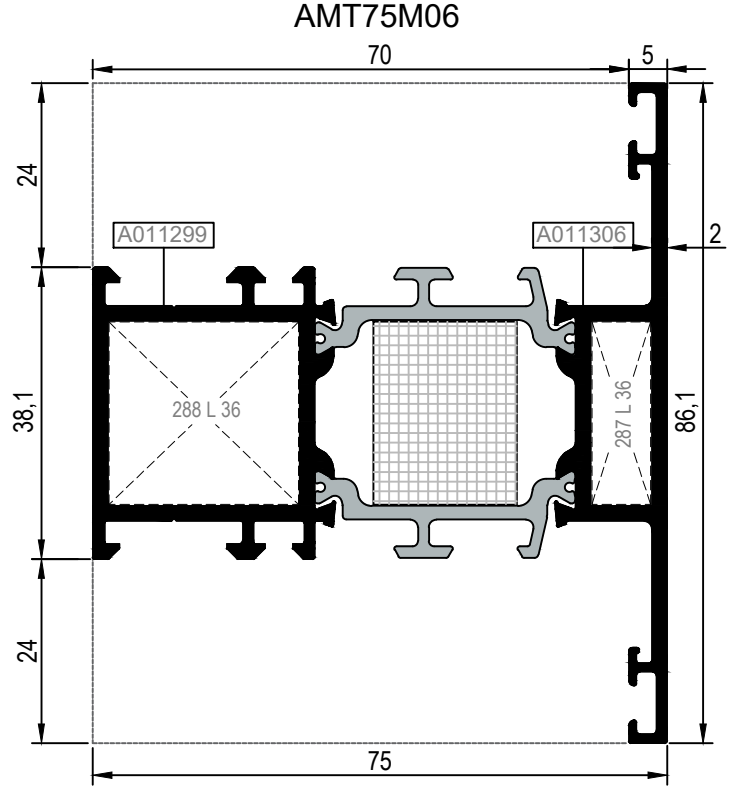
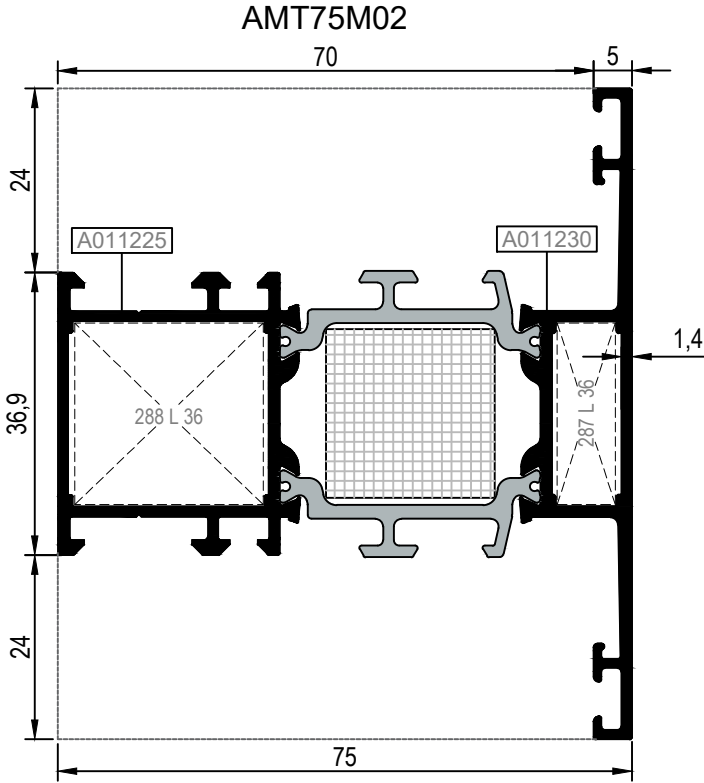
KOD / CODE	AĞIRLIK (kg/m) / WEIGHT	Jxx cm <sup>4</sup>	Jyy cm <sup>4</sup>	L m	
AMT75M08	2,729	103,152	31,607	6	
AMT75M14	2,801	161,4	37,4	6	



KASA-ORTAKAYIT-AMT75DV03&04&05&06 İÇİNDE KULLANILIRSA  
USED IN FRAME- MULLION - AMT756DV03&04&05&06

Nr	L m	KESİM ÖLÇÜSÜ CUTTING SIZE	AKS. KODU ACS. CODE
AMT75M08	A011299 25J27 (A011352)	23,7 mm	285 J 27
	A011631 25J43 (A011874)	23,7 mm	285 J 43
AMT75M14	A011299 25J27 (A011352)	23,7 mm	285 J 27
	A021275 25J43 (A011874)	23,7 mm	285 J 43
Nr	L m	KESİM ÖLÇÜSÜ CUTTING SIZE	AKS. KODU ACS. CODE
AMT75M08	A011299 25L36 (A002397)	24,6 mm	288 L 36
	A011631 25L36 (A002397)	7,6 mm	287 L 36
AMT75M14	A011299 25L36 (A002397)	24,6 mm	288 L 36
	A021275 25L36 (A002397)	7,6 mm	287 L 36

KOD / CODE	AĞIRLIK (kg/m) / WEIGHT	Jxx cm <sup>4</sup>	Jyy cm <sup>4</sup>	L m	
AMT75M02	1,632	29,707	16,107	6	
AMT75M09	1,853	34,337	27,518	6	
AMT75M06	1,942	36,730	18,555	6	



**KASA-ORTAKAYIT-AMT75DV03&04&05&06 İÇİNDE KULLANILIRSA  
USED IN FRAME- MULLION - AMT75DV03&04&05&06**

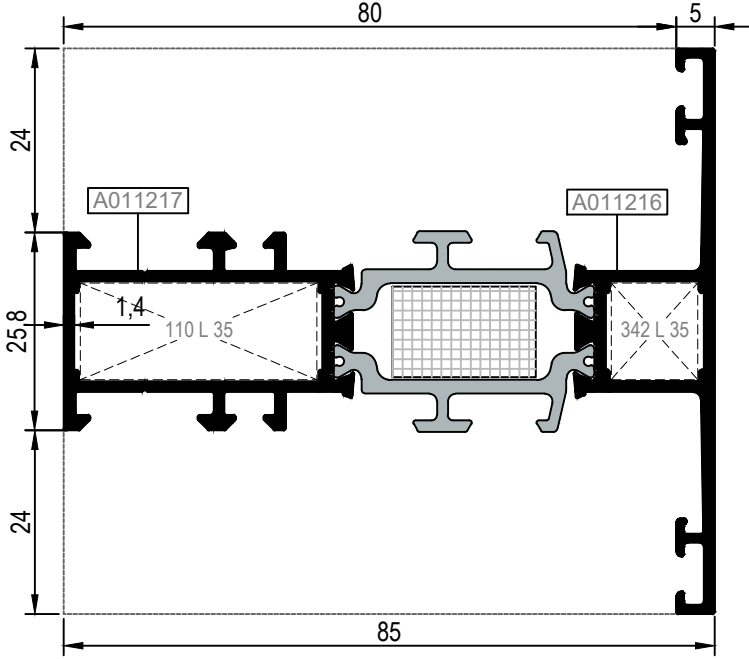
Nr	L m	KESİM ÖLÇÜSÜ CUTTING SIZE	AKS. KODU ACS. CODE	
AMT75M02	A011225	25J27 (A011352)	23,7 mm	285 J 27
	A011230	25J43 (A011874)	23,7 mm	285 J 43
AMT75M06	A011299	25J27 (A011352)	23,7 mm	285 J 27
	A011306	25J43 (A011874)	23,7 mm	285 J 43
AMT75M09	A011229	25J27 (A011352)	36,4 mm	163 J 27
	A011228	25J43 (A011874)	36,4 mm	163 J 43
Nr	L m	KESİM ÖLÇÜSÜ CUTTING SIZE	AKS. KODU ACS. CODE	
AMT75M02	A011225	25L36 (A002397)	24,6 mm	288 L 36
	A011230	25L36 (A002397)	7,6 mm	287 L 36
AMT75M06	A011299	25L36 (A002397)	24,6 mm	288 L 36
	A011306	25L36 (A002397)	7,6 mm	287 L 36
AMT75M09	A011229	25L03 (A002021)	24,5 mm	310 L 03
	A011228	25L03 (A002021)	7,6 mm	287 L 03

KANAT İÇİ ORTA KAYIT PROFİLLERİ  
MULLION PROFILES FOR VENT

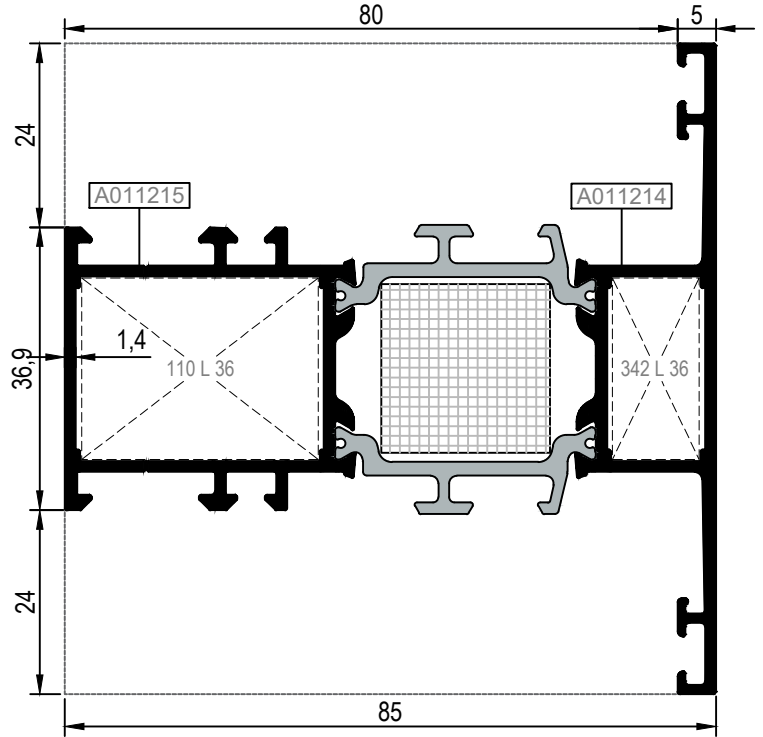
# RWT75

KOD / CODE	AĞIRLIK (kg/m) / WEIGHT	Jxx cm <sup>4</sup>	Jyy cm <sup>4</sup>	L m	
AMT75M04	1,508	34,408	9,407	6	
AMT75M05	1,708	39,568	16,466	6	

AMT75M04



AMT75M05

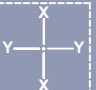


KASA-ORTAKAYIT-AMT75DV03&04&05&06 İÇİNDE KULLANILIRSA  
USED IN FRAME- MULLION - AMT756DV03&04&05&06

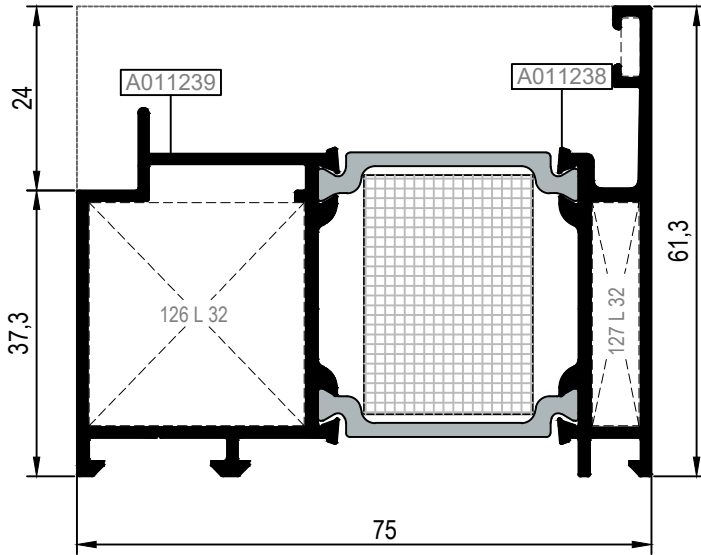
Nr	L m	KESİM ÖLÇÜSÜ CUTTING SIZE	AKS. KODU ACS. CODE
AMT75M04	A011217 25J41 (A011872)	12,6 mm	286 J 41
	A011216 25J42 (A011873)	12,6 mm	286 J 42
AMT75M05	A011215 25J41 (A011872)	23,7 mm	285 J 41
	A011214 25J42 (A011873)	23,7 mm	285 J 42
Nr	L m	KESİM ÖLÇÜSÜ CUTTING SIZE	AKS. KODU ACS. CODE
AMT75M04	A011217 25L35 (A010076)	30,9 mm	110 L 35
	A011216 25L35 (A010076)	11,3 mm	342 L 35
AMT75M05	A011215 25L36 (A002397)	30,9 mm	110 L 36
	A011214 25L36 (A002397)	11,3 mm	342 L 36

# HEMYÜZ KAPI KASA PROFİLLERİ FRAME PROFILES FOR FLUSH-FITTED DOOR

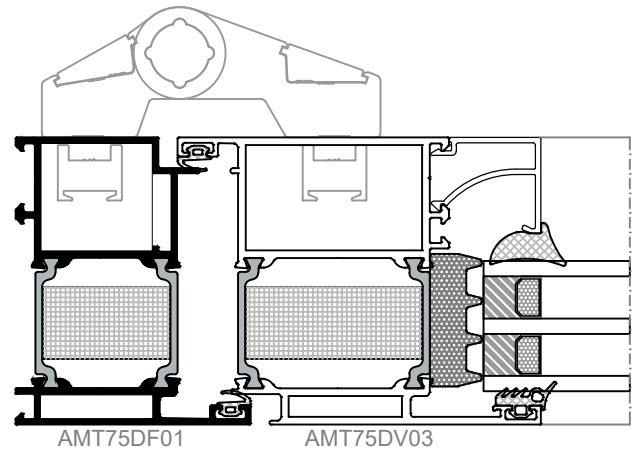
# RWT75

KOD / CODE	AĞIRLIK (kg/m) / WEIGHT	Jxx cm <sup>4</sup>	Jyy cm <sup>4</sup>	L m	
AMT75DF01	1,508	9,248	36,114	6	
AMT75DF02	1,498	9,243	36,584	6	

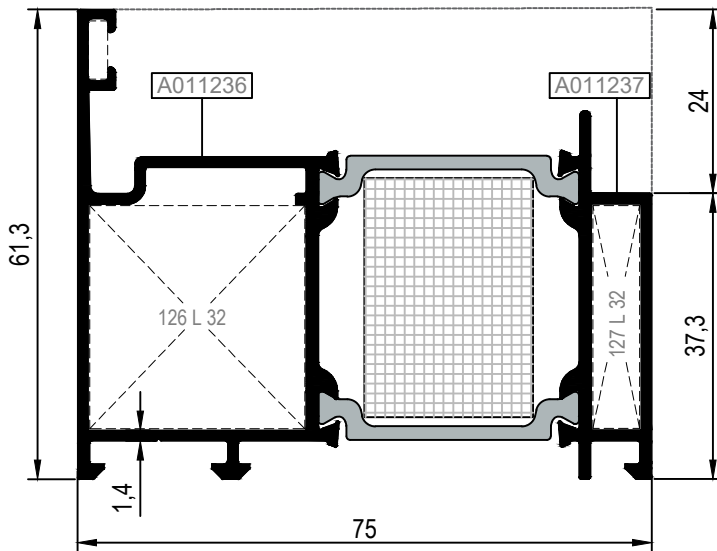
## AMT75DF01



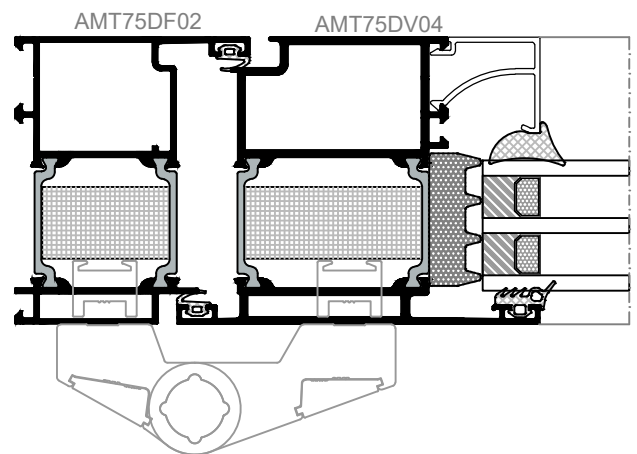
## İÇE AÇILIM (INWARD OPENING)



## AMT75DF02



## DIŞA AÇILIM (OUTWARD OPENING)



Nr		L m	KESİM ÖLÇÜSÜ CUTTING SIZE	AKS. KODU ACS. CODE
AMT75DF01	A011239	25L32 (A002430)	28,1 mm	126 L 32
	A011238	25L32 (A002430)	6,1 mm	127 L 32
AMT75DF02	A011236	25L32 (A002430)	28,1 mm	126 L 32
	A011237	25L32 (A002430)	6,1 mm	127 L 32

# HEMYÜZ KAPI KANAT PROFİLLERİ

## VENT PROFILES FOR FLUSH-FITTED DOOR

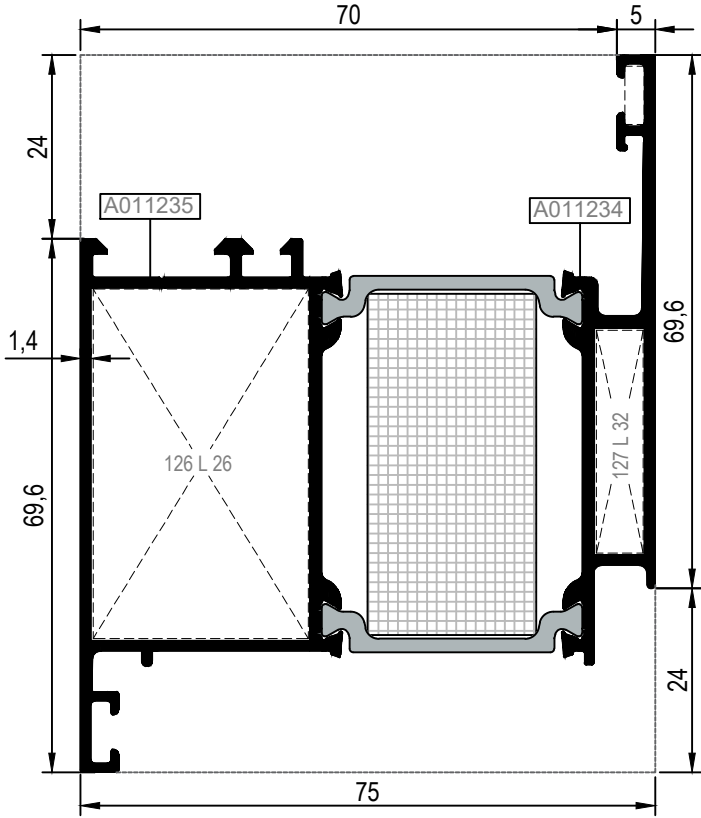
# RWT75

KOD / CODE	AĞIRLIK (kg/m) / WEIGHT	Jxx cm4	Jyy cm4	L m	
AMT75DV01	1,753	35,000	28,212	6	
AMT75DV03	2,147	43,669	33,536	6	

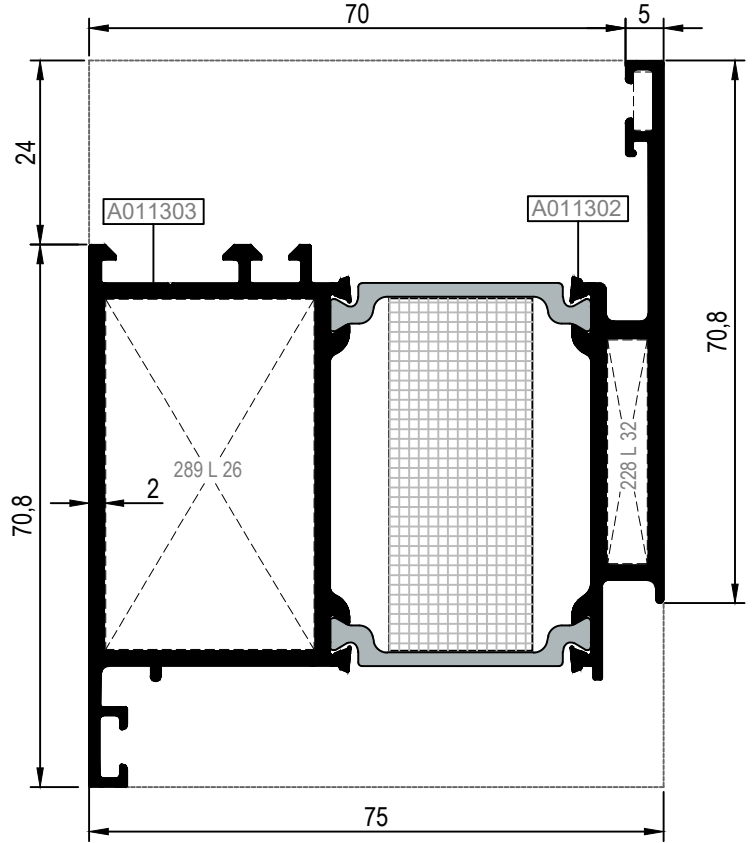
### İÇE AÇILIM HEMYÜZ KAPI KANAT PROFİLLERİ


#### VENT PROFILES FOR INWARD OPENING FLUSH DOOR

AMT75DV01



AMT75DV03



Nr		L m	KESİM ÖLÇÜSÜ CUTTING SIZE	AKS. KODU ACS. CODE
AMT75DV01	A011235	25L26 (A010540)	28,1 mm	126 L 26
	A011234	25L32 (A002430)	6,1 mm	127 L 32
AMT75DV03	A011303	25L26 (A010540)	27,1 mm	289 L 26
	A011302	25L32 (A002430)	5,1 mm	228 L 32

# HEMYÜZ KAPI KANAT PROFİLLERİ

## VENT PROFILES FOR FLUSH-FITTED DOOR

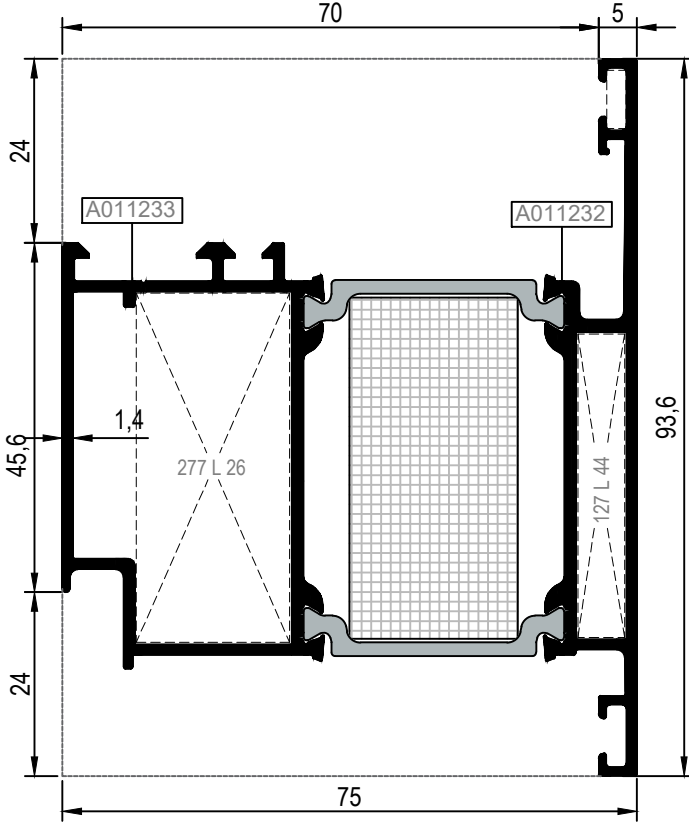
# RWT75

KOD / CODE	AĞIRLIK (kg/m) / WEIGHT	Jxx cm4	Jyy cm4	L m	
AMT75DV02	1,802	34,368	28,887	6	
AMT75DV04	2,184	42,725	33,602	6	

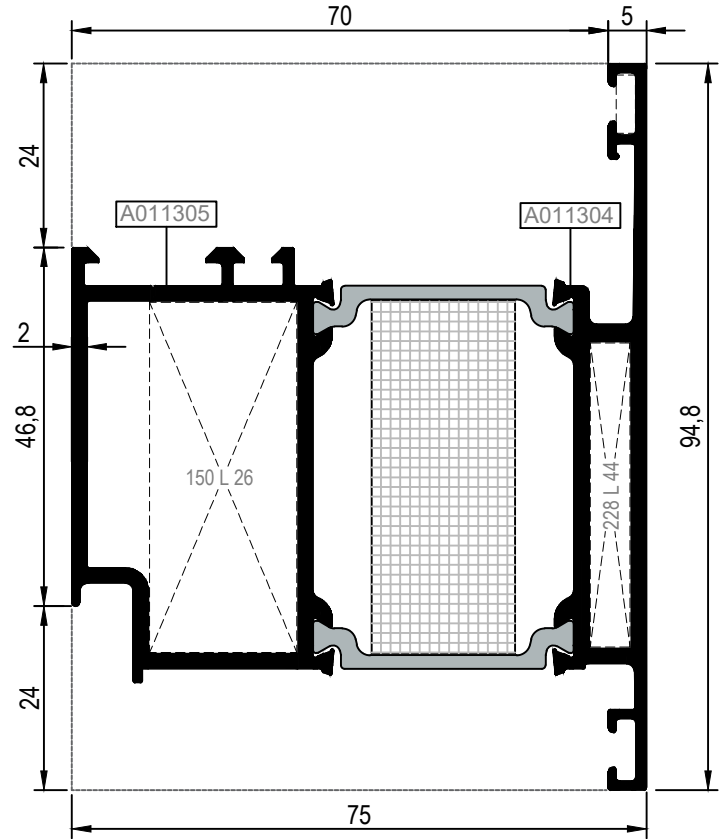
### DIŞA AÇILIM HEMYÜZ KAPI KANAT PROFİLLERİ

#### VENT PROFILES FOR OUTWARD OPENING FLUSH DOOR

#### AMT75DV02



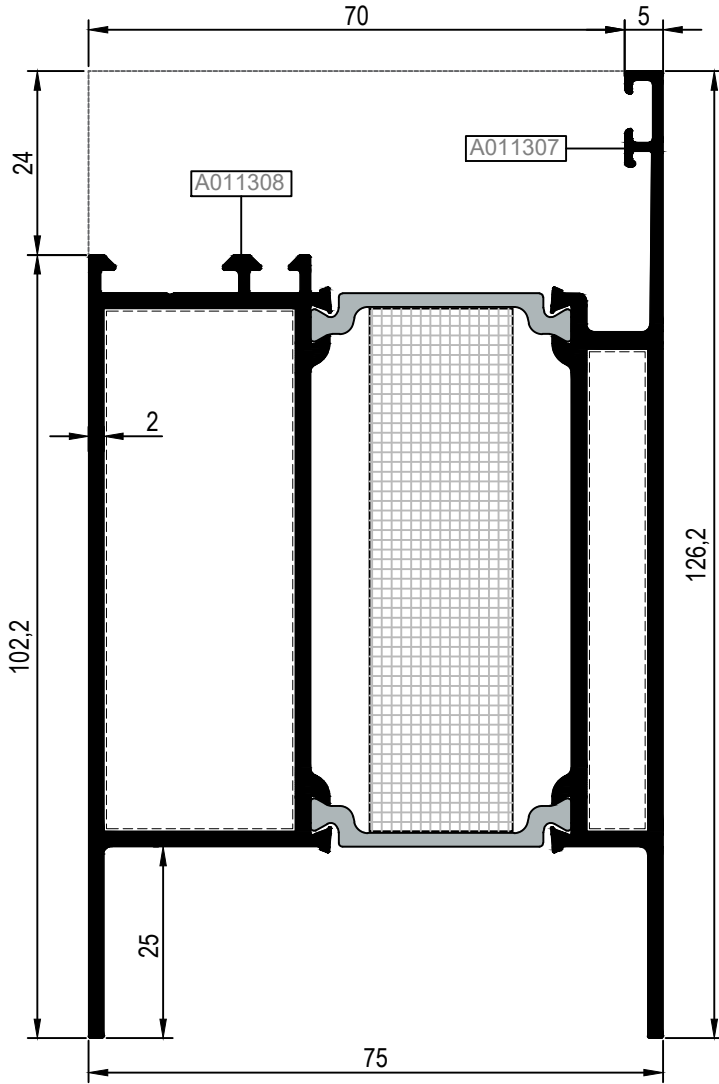
#### AMT75DV04



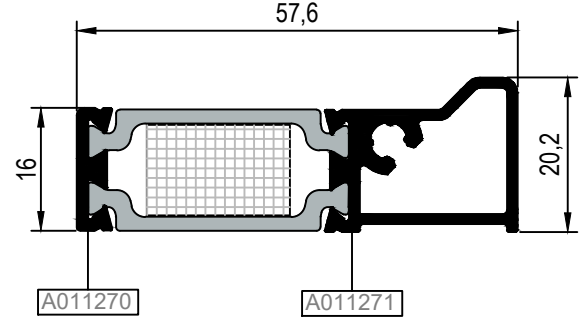
Nr		L m	KESİM ÖLÇÜSÜ CUTTING SIZE	AKS. KODU ACS. CODE
AMT75DV02	A011233	25L26 (A010540)	20,0 mm	277 L 26
	A011232	25L44 (A010786)	6,1 mm	127 L 44
AMT75DV04	A011305	25L26 (A010540)	19,1 mm	150 L 26
	A011304	25L44 (A010786)	5,1 mm	228 L 44

KOD / CODE	AĞIRLIK (kg/m) / WEIGHT	Jxx cm <sup>4</sup>	Jyy cm <sup>4</sup>	L m	
AMT75K02	0,771	5,609	0,678	6	
AMT75K03	1,013	13,798	1,733	6	
AMT75K04	2,851	61,900	91,506	6	

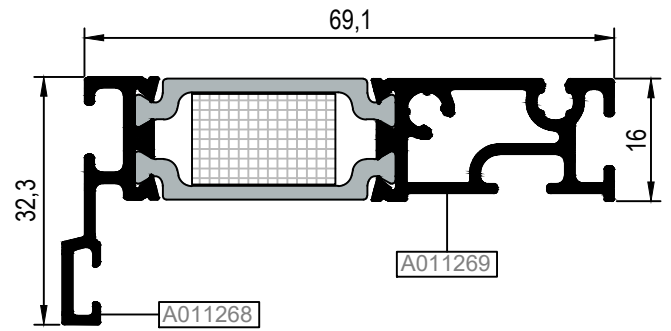
AMT75K04



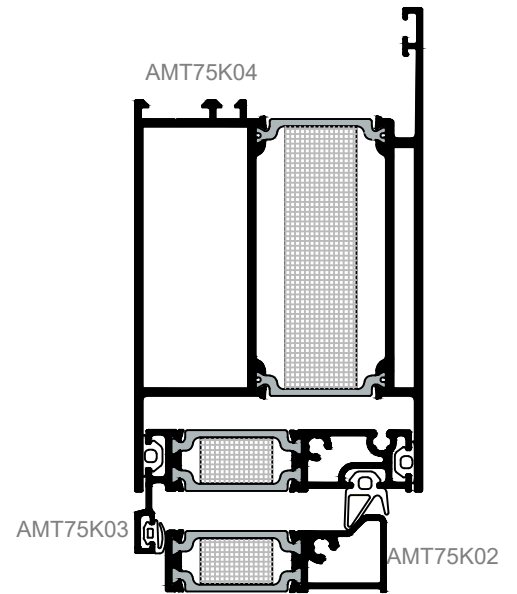
AMT75K02



AMT75K03

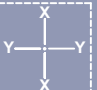


AMT75K04

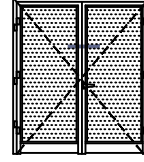
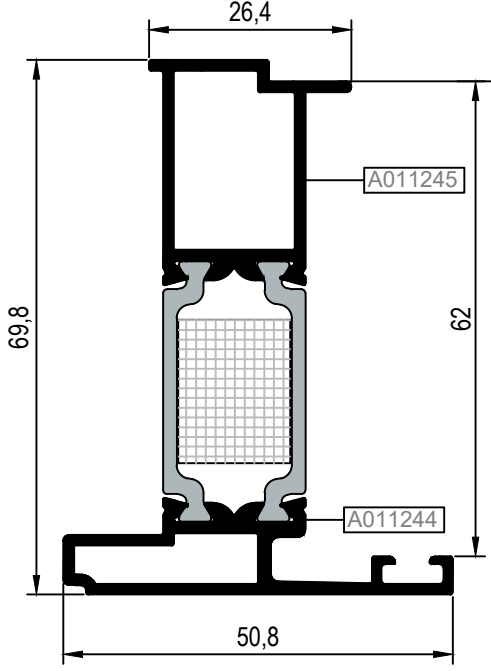


Ölçek/Scale: 1/2

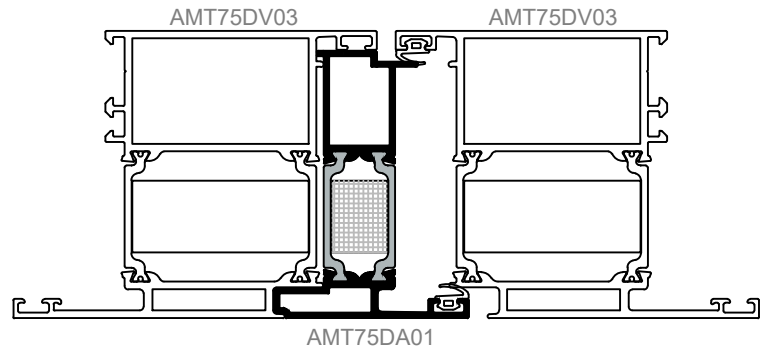
Nr		L m	KESİM ÖLÇÜSÜ CUTTING SIZE	AKS. KODU ACS. CODE
AMT75K04	A011308	25J27 (A011352)	67,6 mm	284 J 27
	A011307	25J43 (A011874)	62,5 mm	283 J 43

KOD / CODE	AĞIRLIK (kg/m) / WEIGHT	Jxx cm <sup>4</sup>	Jyy cm <sup>4</sup>	L m	
AMT75DA01	1,136	17,145	4,120	6	
AMT75DA02	1,083	14,705	4,082	6	

AMT75DA01 (AMT75DV03 İLE)

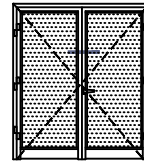
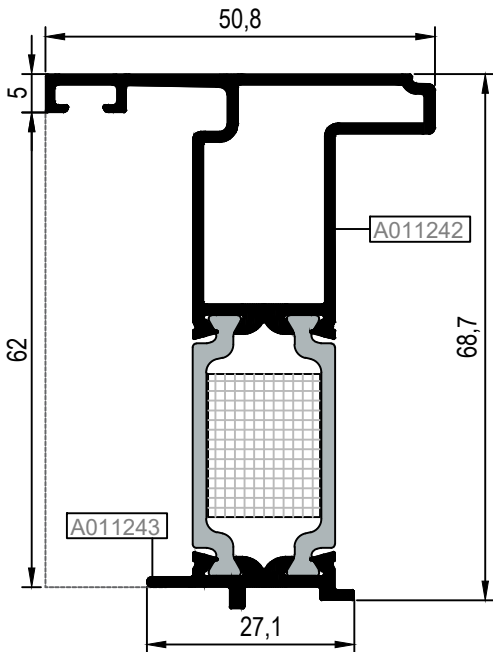


İÇE AÇILIM (INWARD OPENING)

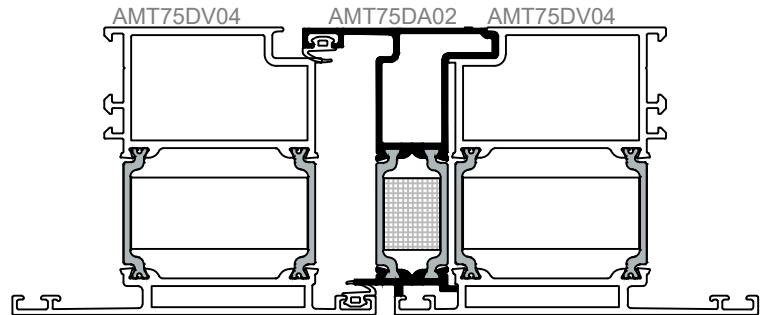


Ölçek/Scale: 1/2

AMT75DA02 (AMT75DV04 İLE)



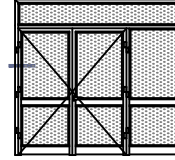
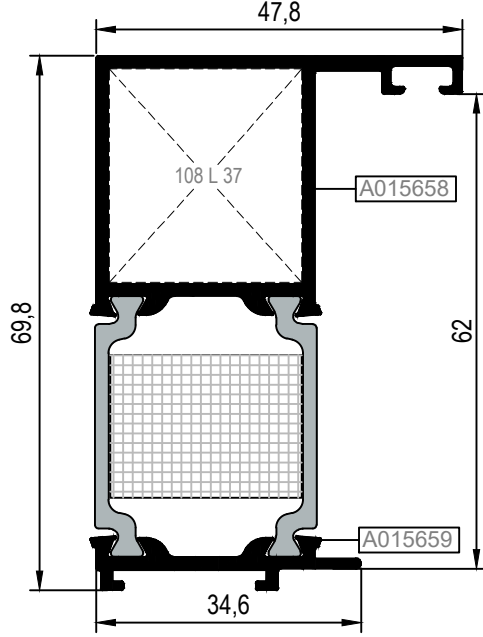
DIŞA AÇILIM (OUTWARD OPENING)



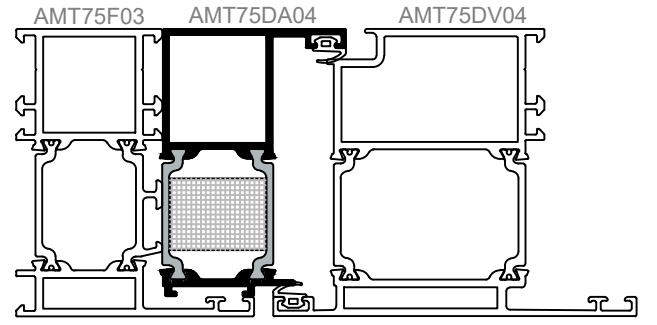
Ölçek/Scale: 1/2

KOD / CODE	AĞIRLIK (kg/m) / WEIGHT	Jxx cm4	Jyy cm4	L m	
AMT75DA04	1,179	----	----	6	
MT65A01	0,273	----	----	6	

AMT75DA04 (AMT75DV04 İLE)

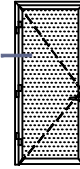
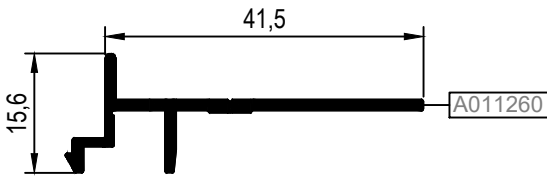


DIŞA AÇILIM (OUTWARD OPENING)

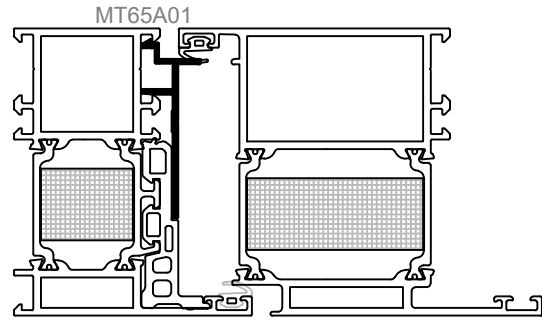


Ölçek/Scale: 1/2

MT65A01



İÇE AÇILIM (INWARD OPENING)



Ölçek/Scale: 1/2

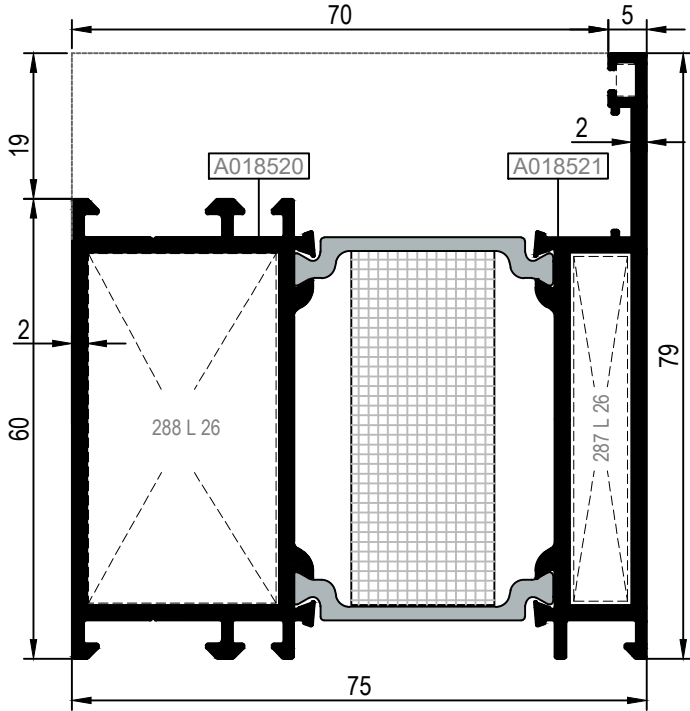
Nr		L m	KESİM ÖLÇÜSÜ CUTTING SIZE	AKS. KODU ACS. CODE
AMT75DA04	A015658	25L37 (A002398)	27,7 mm	108 L 37

TİJ KANALLI KAPI KASA PROFİLLERİ  
EUROGROOVE DOOR FRAME PROFILES

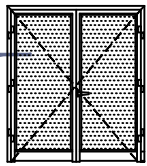
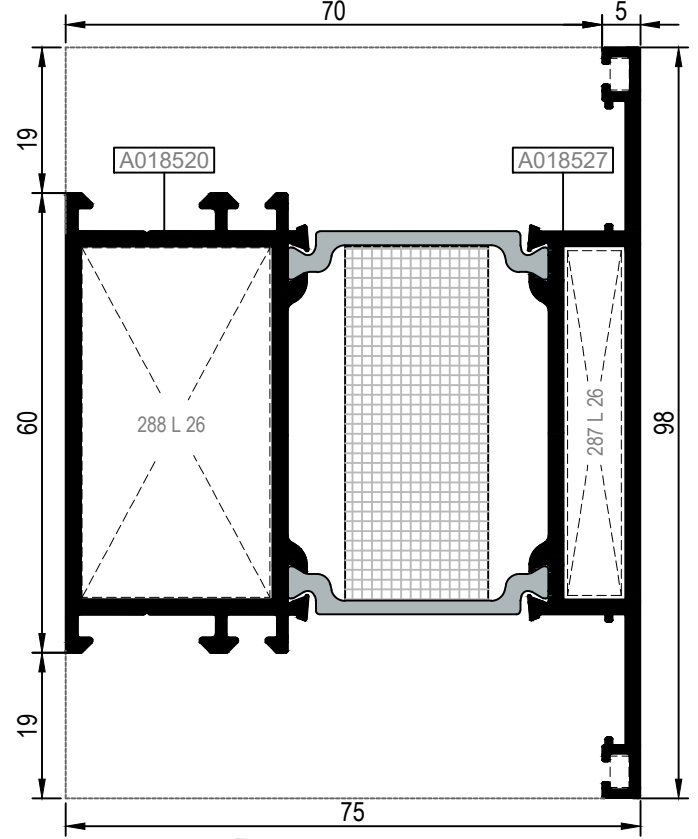
# RWT75

KOD / CODE	AĞIRLIK (kg/m) / WEIGHT	Jxx cm <sup>4</sup>	Jyy cm <sup>4</sup>	L m	
AMT75F07	2,174	43,101	32,431	6	
AMT75M10	2,281	46,483	39,895	6	

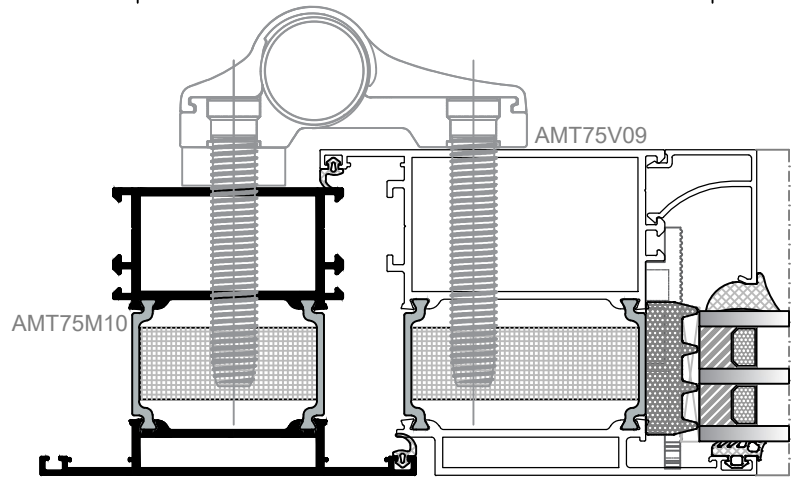
AMT75F07



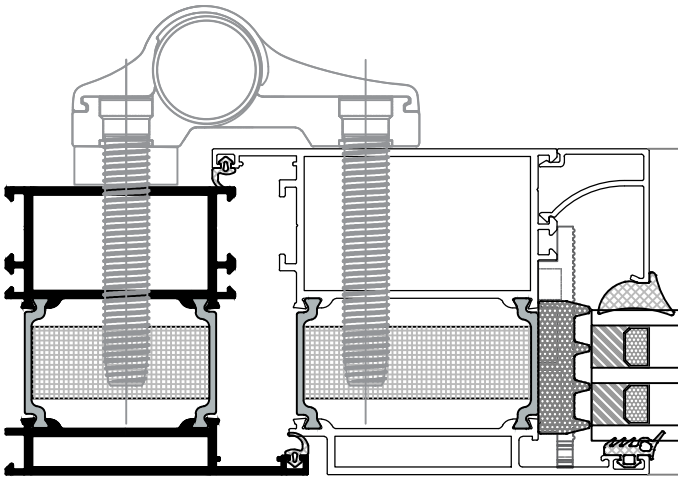
AMT75M10







İÇE AÇILIM (INWARD OPENING)



Ölçek/Scale: 1/2

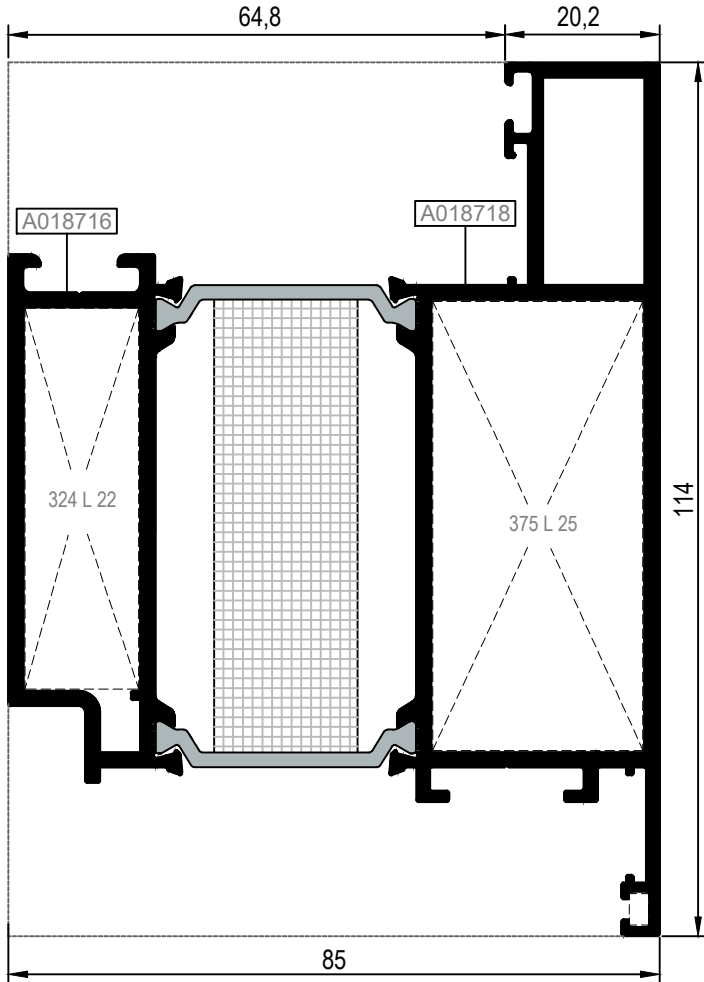


Ölçek/Scale: 1/2

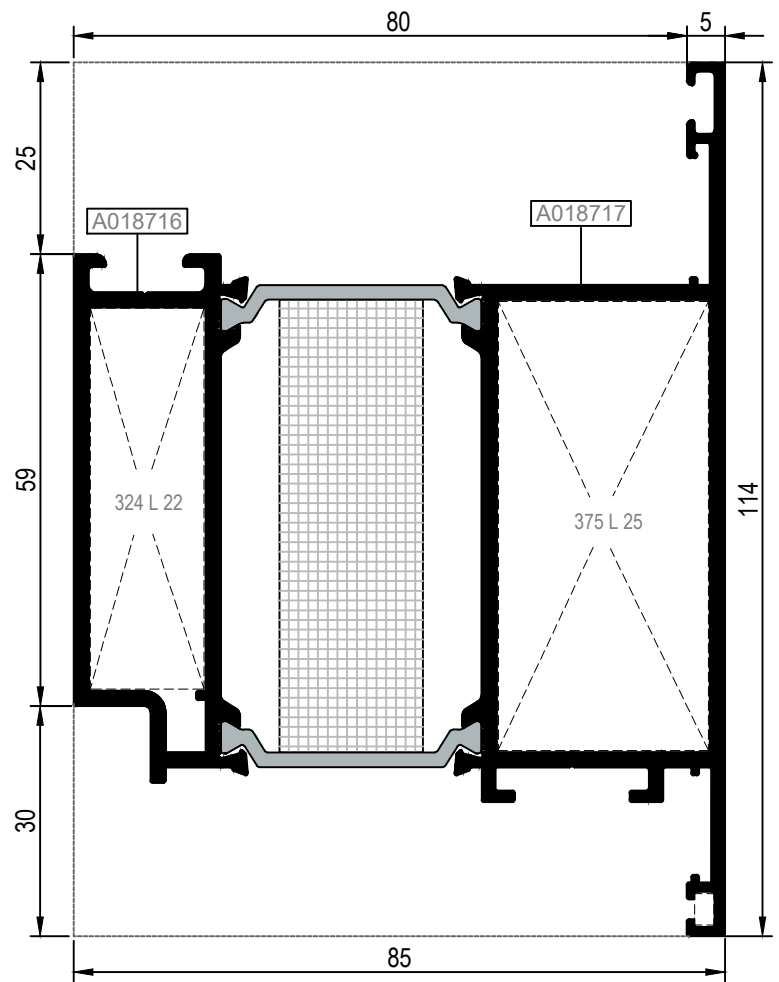
Nr	 L m	KESİM ÖLÇÜSÜ CUTTING SIZE	 AKS. KODU ACS. CODE	
AMT75M10	A018520	25J27 (A011352)	45,5 mm	136 J 27
	A018527	25J43 (A011874)	45,5 mm	136 J 43
Nr	 L m	KESİM ÖLÇÜSÜ CUTTING SIZE	 AKS. KODU ACS. CODE	
AMT75F07	A018520	25L26 (A010540)	24,6 mm	288 L 26
	A018521	25L26 (A010540)	7,6 mm	287 L 26
AMT75M10	A018520	25L26 (A010540)	24,6 mm	288 L 26
	A018527	25L26 (A010540)	7,6 mm	287 L 26

KOD / CODE	AĞIRLIK (kg/m) / WEIGHT	Jxx cm <sup>4</sup>	Jyy cm <sup>4</sup>	L m	
AMT75DV07	2,650	68,163	66,166	6	
AMT75DV08	2,879	71,299	85,767	6	

AMT75DV08

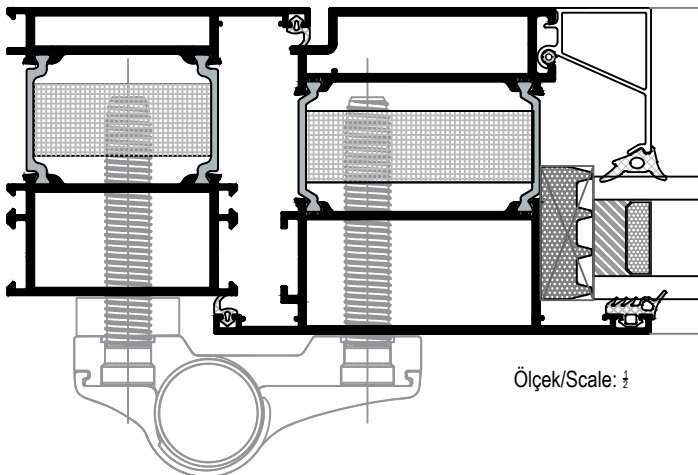


AMT75DV07

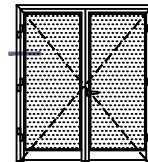


AMT75F07

AMT75DV07



Ölçek/Scale: 1/2

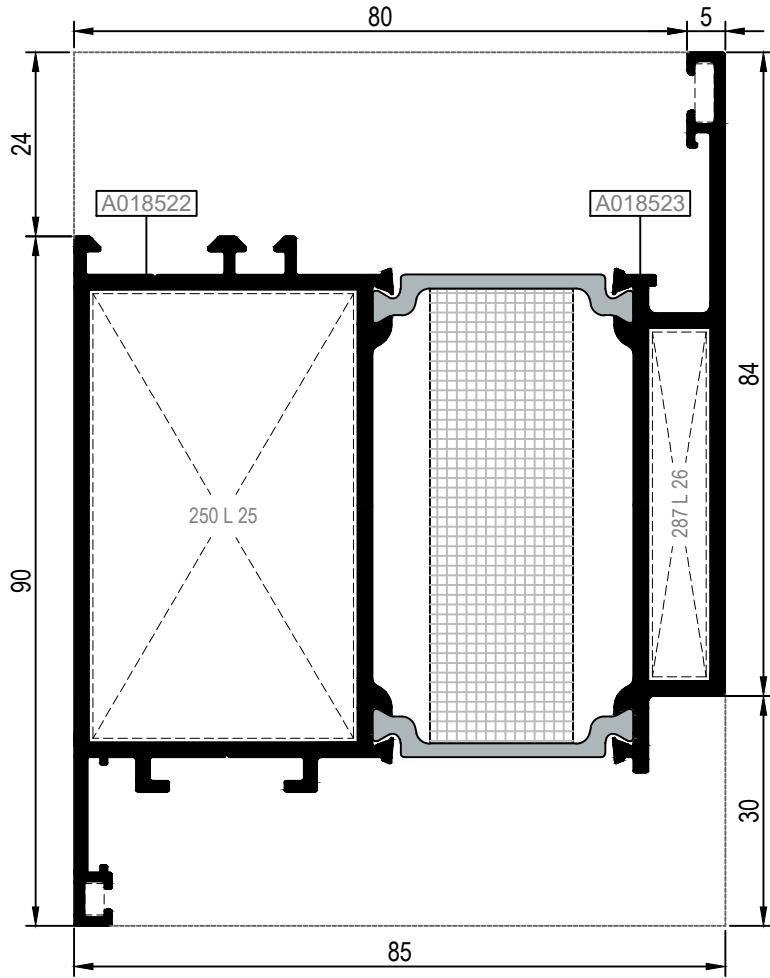


DIŞA AÇILIM (OUTWARD OPENING)

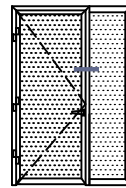
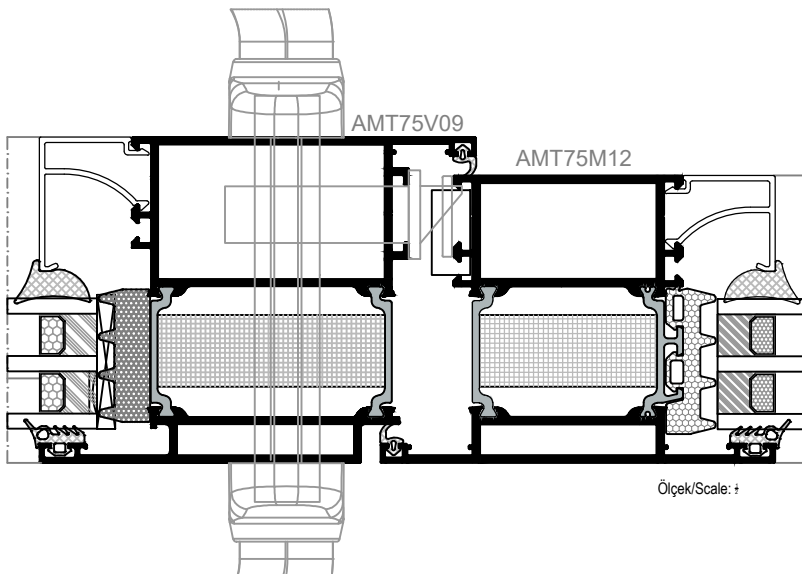
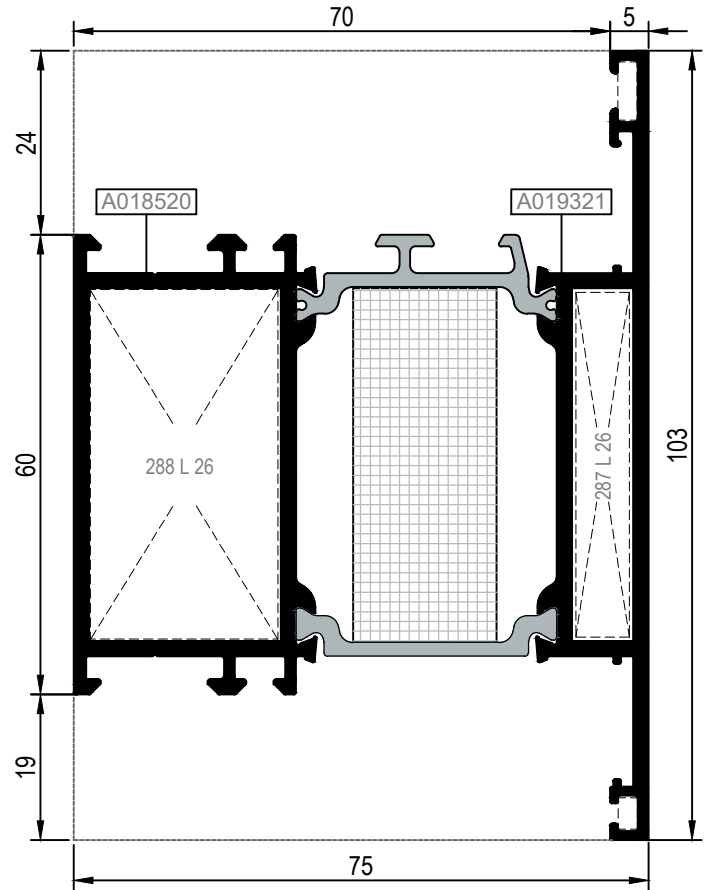
Nr		L m	KESİM ÖLÇÜSÜ CUTTING SIZE	AKS. KODU ACS. CODE
AMT75DV07	A018716	25L22 (A002168)	14,8 mm	324 L 22
	A018717	25L25 (A010539)	27,4 mm	375 L 25
AMT75DV08	A018716	25L22 (A002168)	14,8 mm	324 L 22
	A018718	25L25 (A010539)	27,4 mm	375 L 25

KOD / CODE	AĞIRLIK (kg/m) / WEIGHT	Jxx cm <sup>4</sup>	Jyy cm <sup>4</sup>	L m	
AMT75V09	2,631	69,643	65,655	6	
AMT75M12	2,344	47,238	42,825	6	

AMT75V09

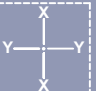


AMT75M12

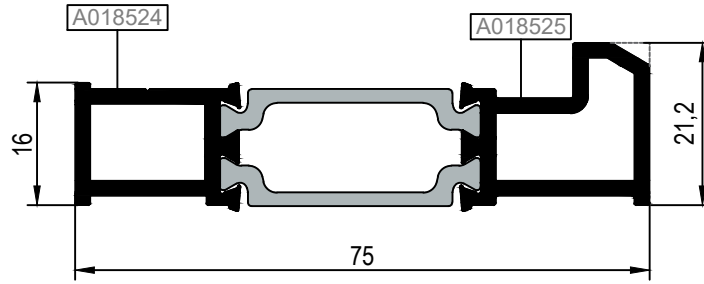


İÇE AÇILIM (INWARD OPENING)

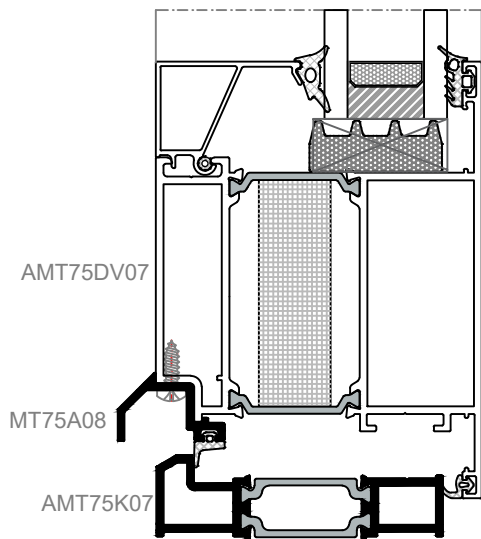
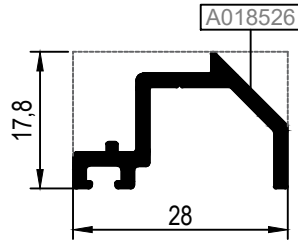
Nr		KESİM ÖLÇÜSÜ CUTTING SIZE	AKS. KODU ACS. CODE	
AMT75M12	A018520	25J27 (A011352)	45,5 mm	136 J 27
	A019321	25J43 (A011874)	45,5 mm	136 J 43
Nr		KESİM ÖLÇÜSÜ CUTTING SIZE	AKS. KODU ACS. CODE	
AMT75V09	A018522	25L25 (A010539)	34,6 mm	250 L 25
	A018523	25L26 (A010540)	7,6 mm	287 L 26
AMT75M12	A018520	25L26 (A010540)	24,6 mm	288 L 26
	A019321	25L26 (A010540)	7,6 mm	287 L 26

KOD / CODE	AĞIRLIK (kg/m) / WEIGHT	Jxx cm <sup>4</sup>	Jyy cm <sup>4</sup>	L m	
AMT75K07	1,077	----	----	6	
MT75A08	0,285	----	----	6	

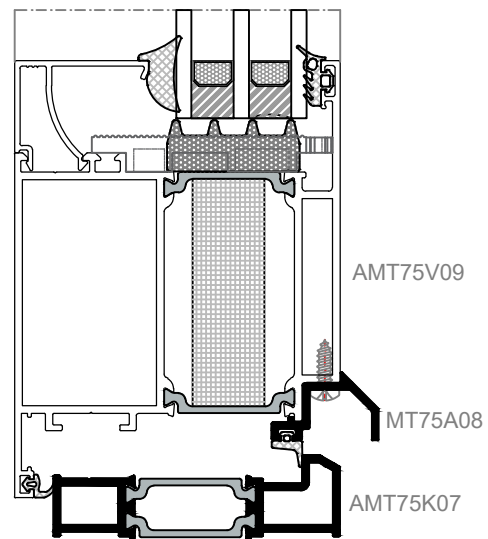
AMT75K07



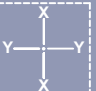
MT75A08



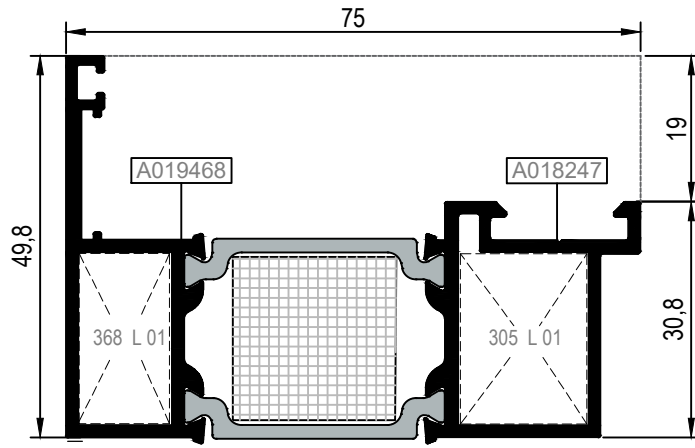
Ölçek/Scale: 1:1



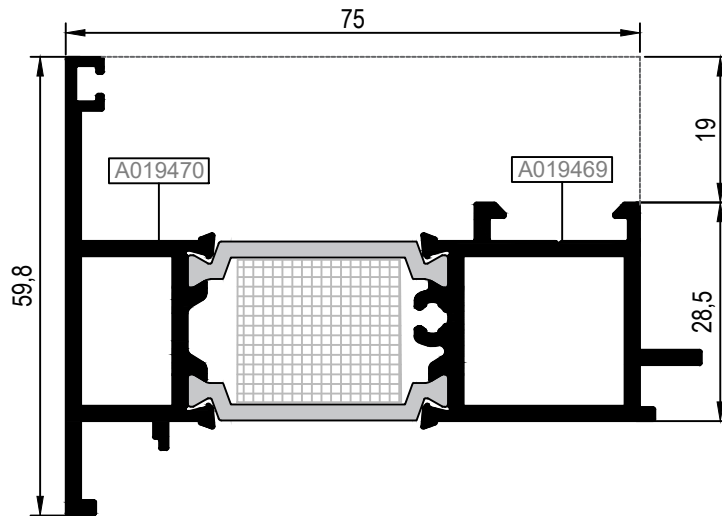
Ölçek/Scale: 1:1



KOD / CODE	AĞIRLIK (kg/m) / WEIGHT	Jxx cm <sup>4</sup>	Jyy cm <sup>4</sup>	L m	
AMT75DA05	1,335	----	----	6	
AMT75DA06	1,629	----	----	6	

AMT75DA05



AMT75DA06



Nr	 L m	KESİM ÖLÇÜSÜ CUTTING SIZE	 AKS. KODU ACS. CODE	
AMT75DA05	A019468	25L01 (A002019)	11,8 mm	368 L 01
	A018247	25L01 (A002019)	16,5 mm	305 L 01

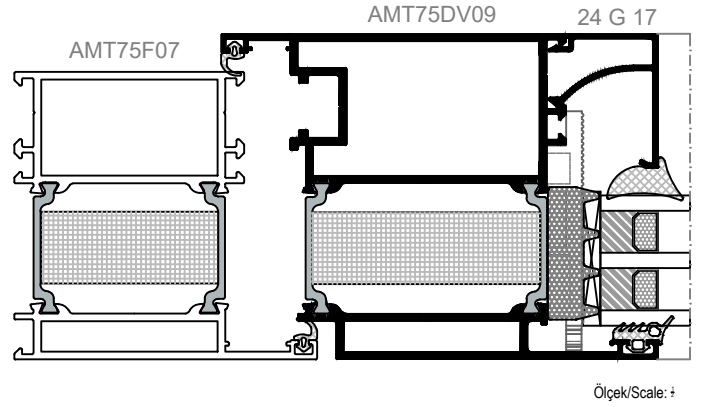
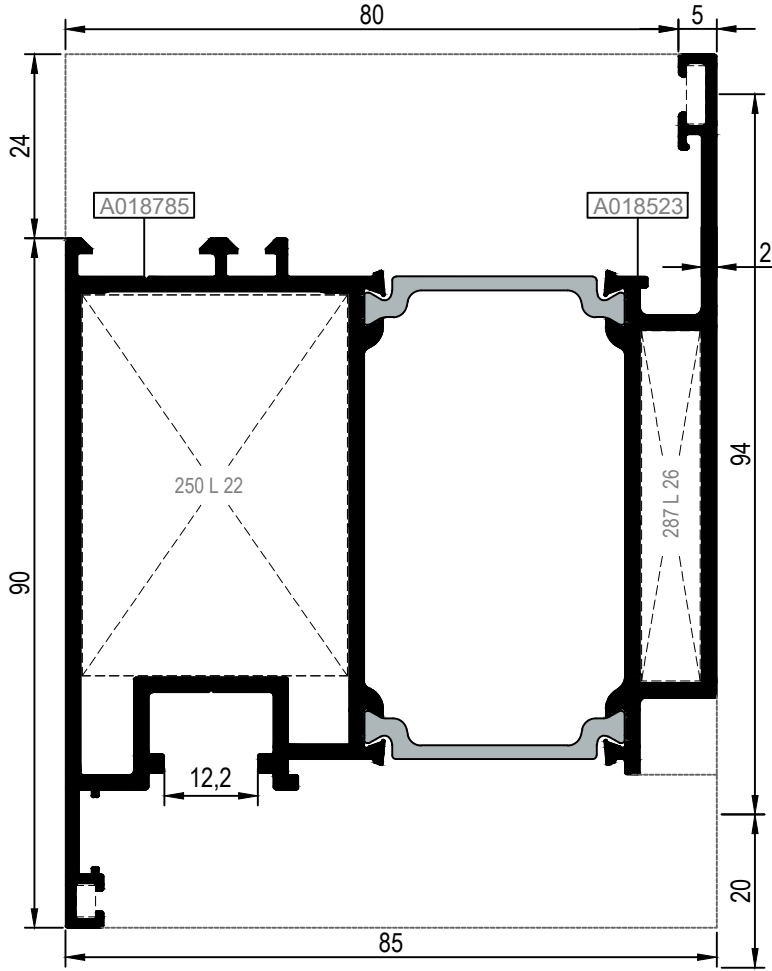
KANAT PROFİLLERİ (PVC AKSESUARINA UYGUN - 9 AKS)  
VENT PROFILES (FOR PVC ACCESSORY - 9 AXLE)

# RWT75

KOD / CODE	AĞIRLIK (kg/m) / WEIGHT	Jxx cm <sup>4</sup>	Jyy cm <sup>4</sup>	L m	
AMT75DV09	2,743	----	----	6	
AMT75DV10	2,789	----	----	6	

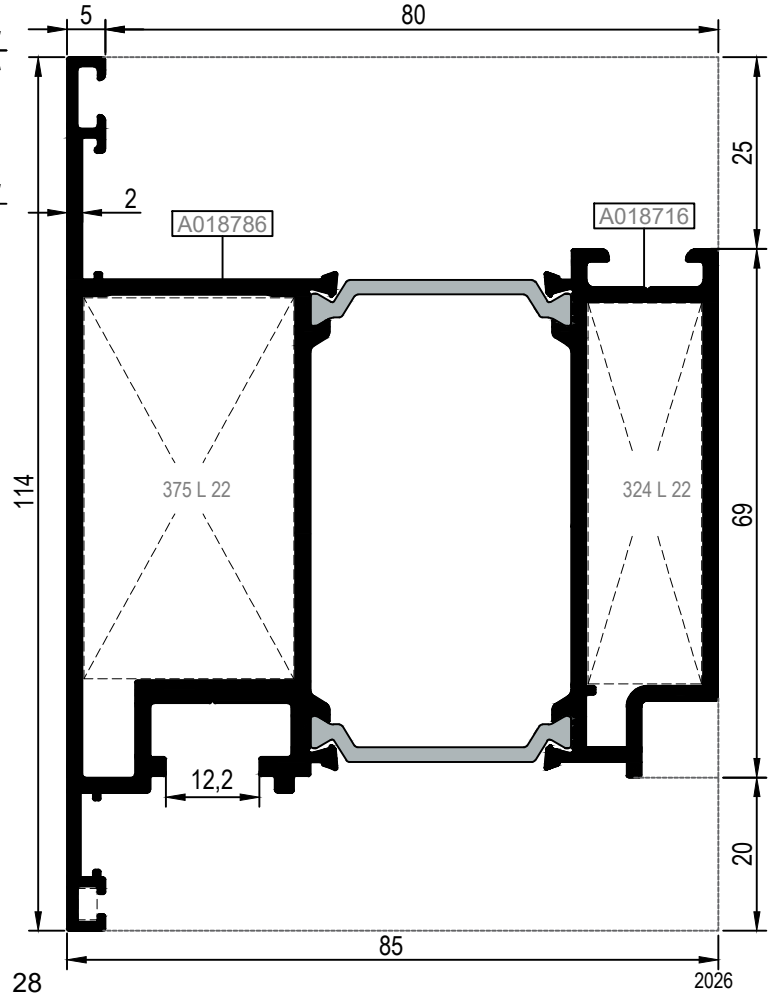
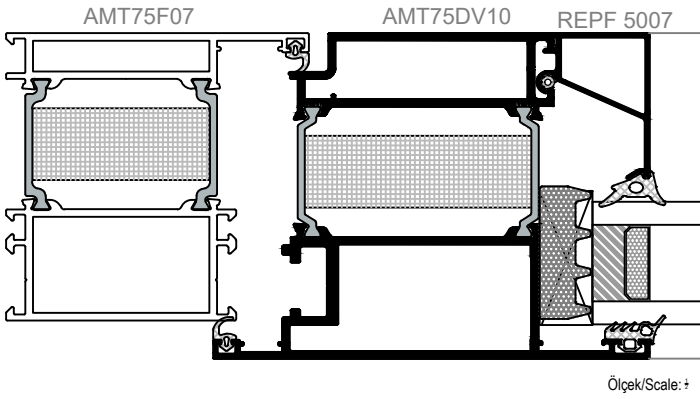
## AMT75DV09

(İÇE AÇILIM KAPI KANADI / INWARD OPENING DOOR VENT)

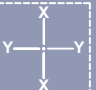


## AMT75DV10

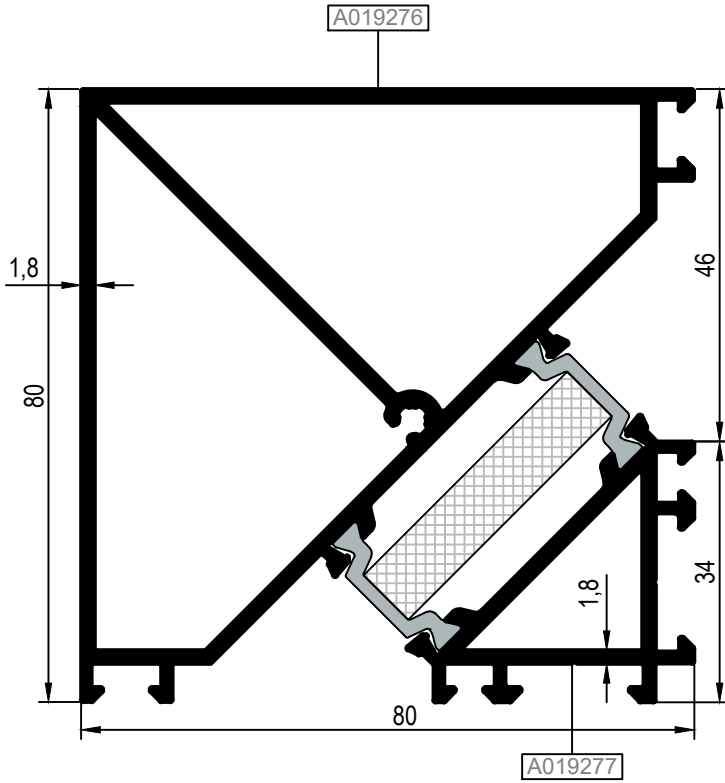
(DIŞA AÇILIM KAPI KANADI / OUTWARD OPENING DOOR VENT)



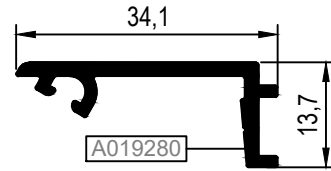
Nr		L m	KESİM ÖLÇÜSÜ CUTTING SIZE	AKS. KODU ACS. CODE
AMT75DV09	A018523	25L26 (A010540)	34,6 mm	287 L 26
	A018785	25L22 (A002168)	7,6 mm	250 L 22
AMT75DV10	A018786	25L22 (A002168)	27,4 mm	375 L 22
	A018716	25L22 (A002168)	14,8 mm	324 L 22

KOD / CODE	AĞIRLIK (kg/m) / WEIGHT	Jxx cm <sup>4</sup>	Jyy cm <sup>4</sup>	L m	
AMT75A09	2,581			6	
AMT75A10	2,271			6	
MT75A11	0,273			6	
T55A11	0,127			6	

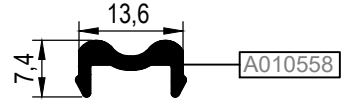
AMT75A09



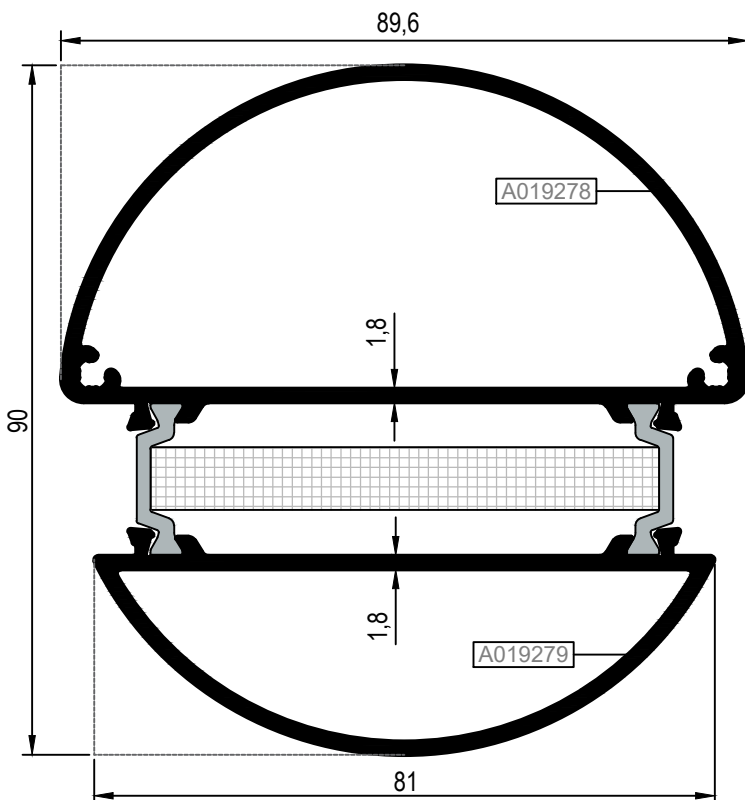
MT75A11



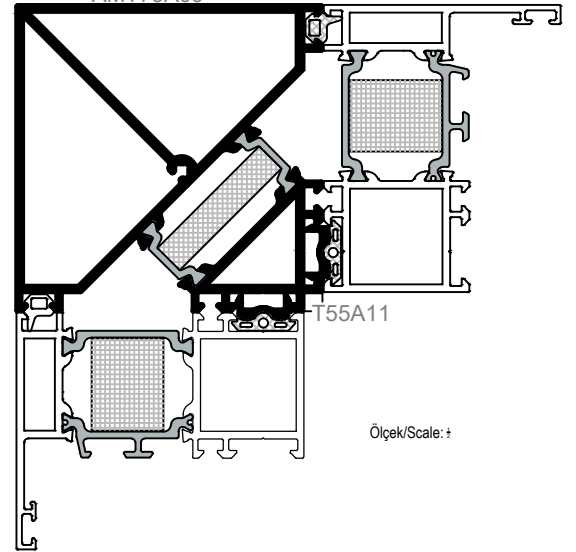
T55A11



AMT75A10

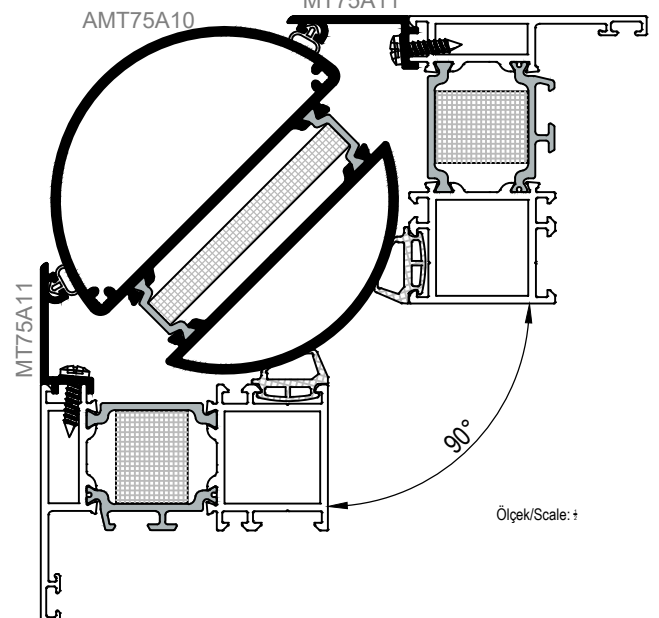


AMT75A09

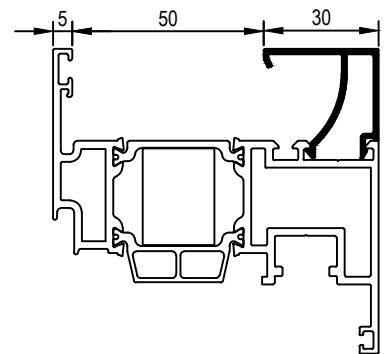
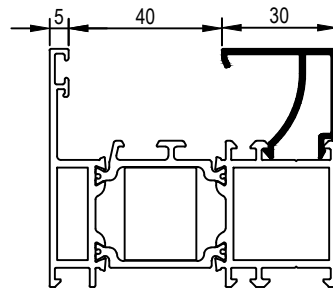
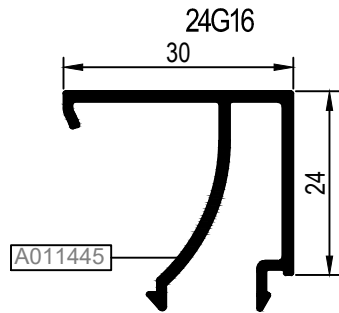
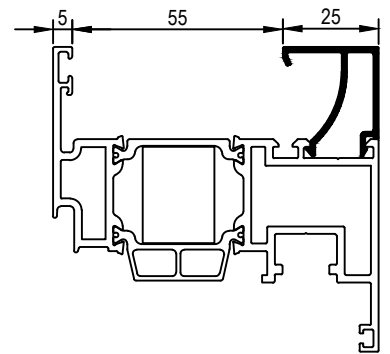
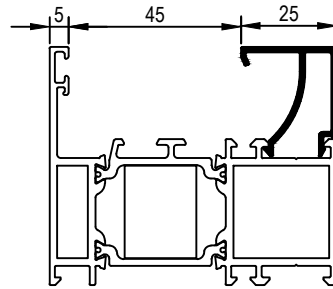
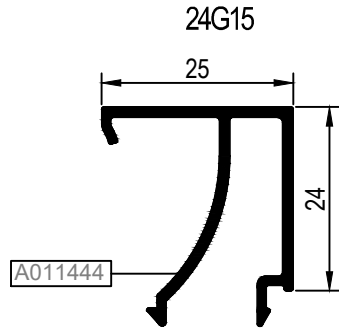
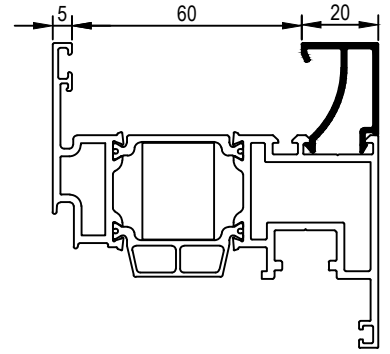
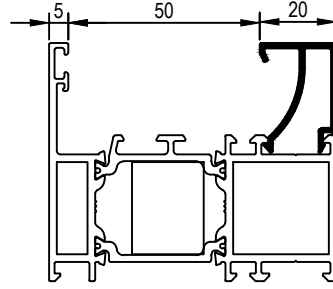
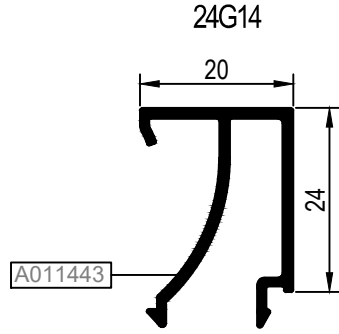
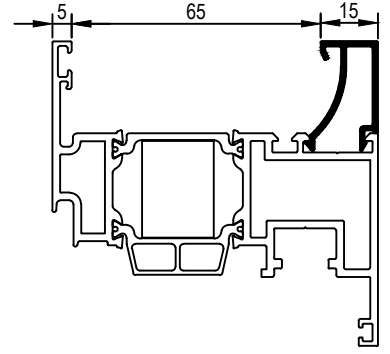
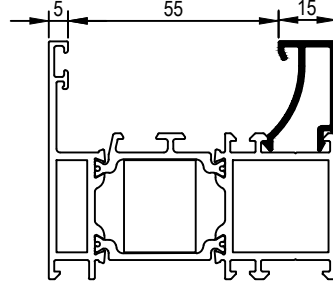
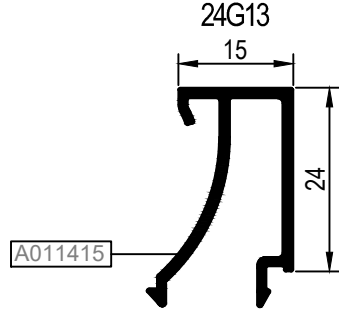


AMT75A10

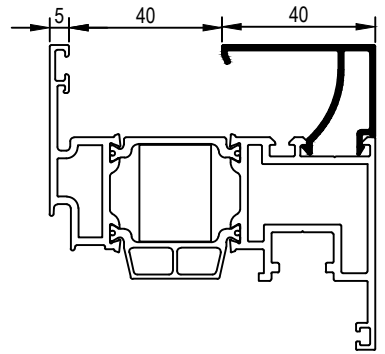
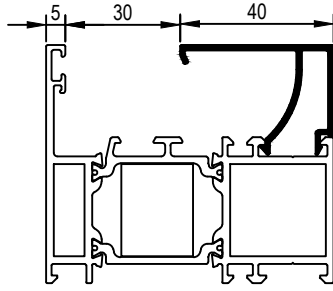
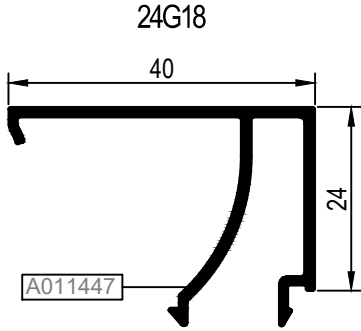
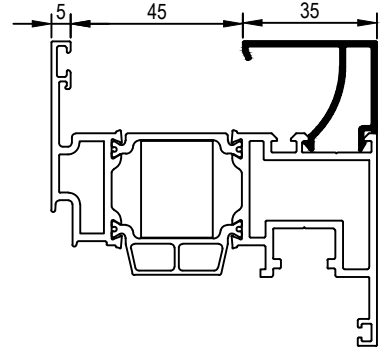
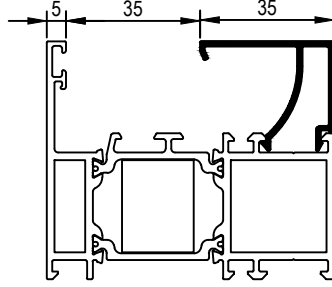
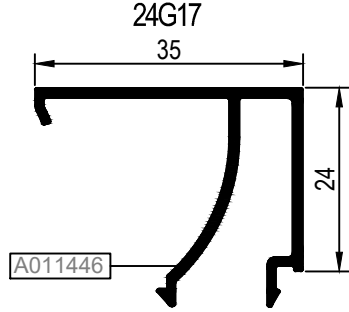
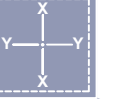
MT75A11



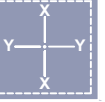
KOD / CODE	AĞIRLIK (kg/m) / WEIGHT	L m	KOD / CODE	AĞIRLIK (kg/m) / WEIGHT	L m
24G13	0,296	6			
24G14	0,315	6			
24G15	0,334	6			
24G16	0,353	6			



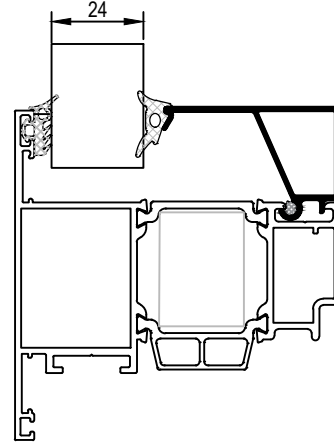
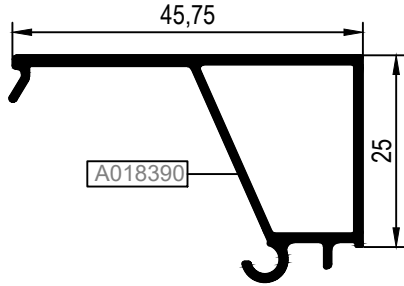
KOD / CODE	AĞIRLIK (kg/m) / WEIGHT	L m	KOD / CODE	AĞIRLIK (kg/m) / WEIGHT	L m
24G17	0,372	6			
24G18	0,391	6			



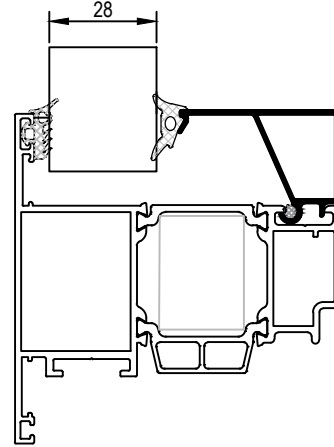
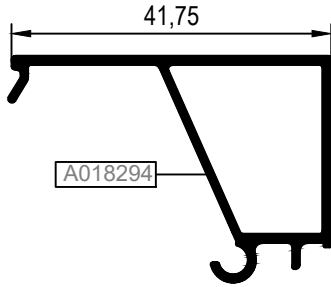
KOD / CODE	AĞIRLIK (kg/m) / WEIGHT	L m	KOD / CODE	AĞIRLIK (kg/m) / WEIGHT	L m
REPF5004	0,387	6			
REPF5005	0,398	6			
REPF5006	0,376	6			
REPF5007	0,368	6			



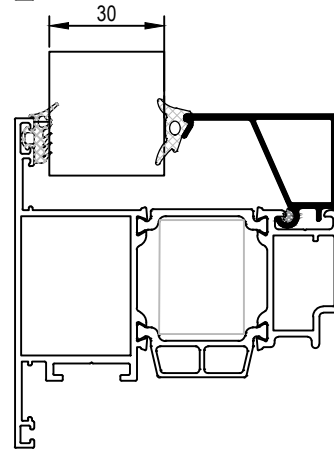
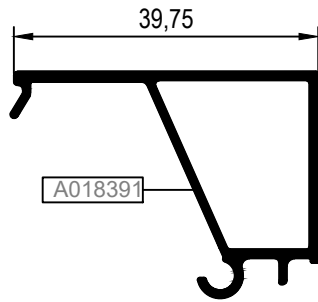
REPF5005



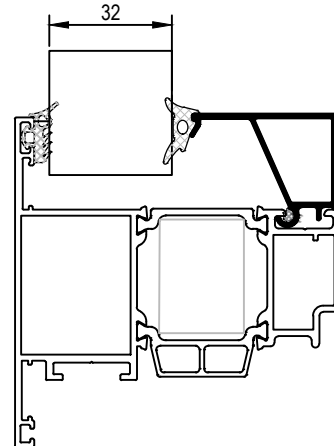
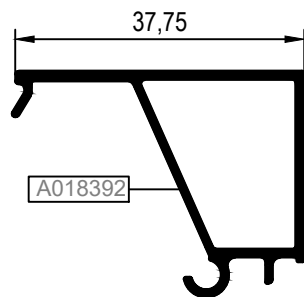
REPF5004



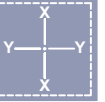
REPF5006



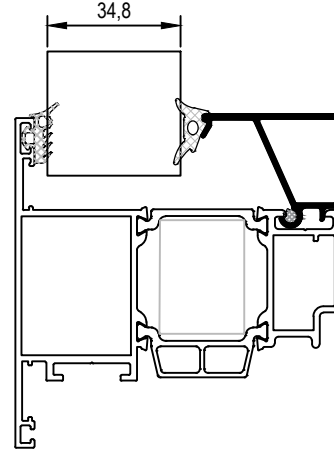
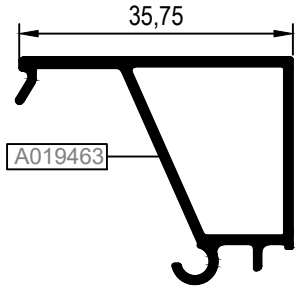
REPF5007



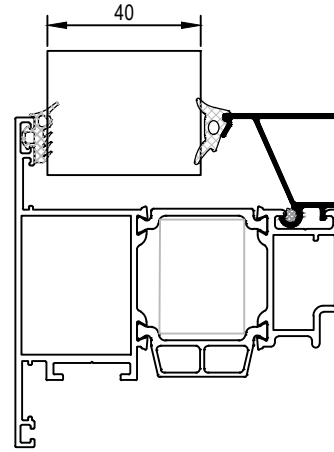
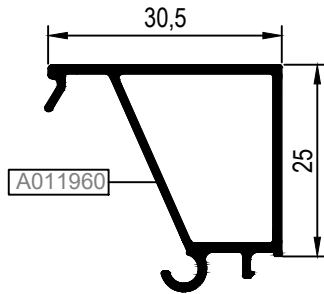
KOD / CODE	AĞIRLIK (kg/m) / WEIGHT	L m	KOD / CODE	AĞIRLIK (kg/m) / WEIGHT	L m
REPF5009	0,373	6			
REPF5001	0,337	6			
REPF5002	0,339	6			
REPF5003	0,305	6			



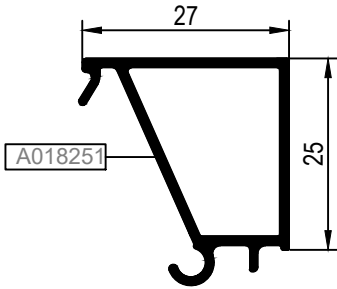
REPF5009



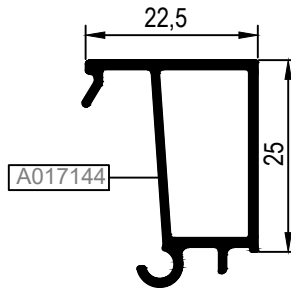
REPF5001



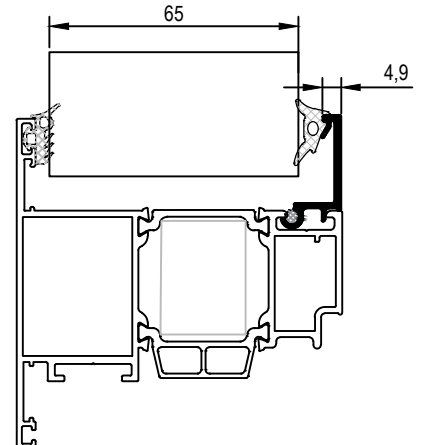
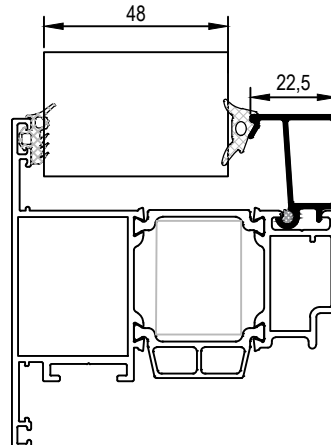
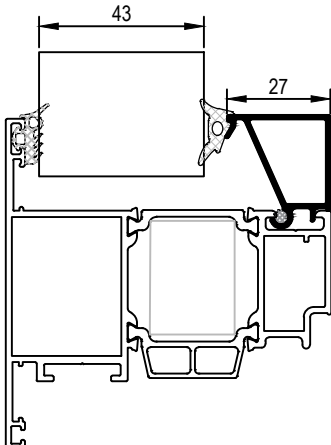
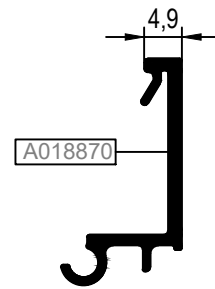
REPF5002



REPF5003



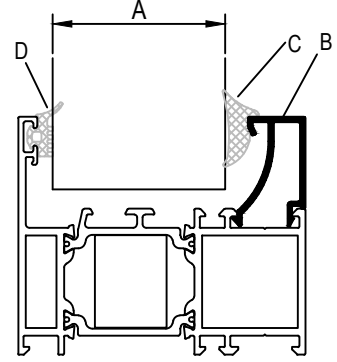
REPF5008



UYGULANAN PROFİLLER: AMT75F02-AMT75F03-AMT75DV01-AMT75DV02-AMT75DV03-AMT75DV04-AMT75M06-AMT75M08-AMT75M09-AMT75K04  
USE WITH: AMT75F02-AMT75F03-AMT75DV01-AMT75DV02-AMT75DV03-AMT75DV04-AMT75M06-AMT75M08-AMT75M09-AMT75K04

B, CAM ÇITASI GLAZING BEAD	C, İÇ CAM FİTİLİ GLAZING GASKET	A, CAM KALINLIĞI GLASS THICKNESS	D, DIŞ CAM FİTİLİ GLAZING GASKET
24G13	01.17.20	48 mm	01.11.15
24G13	01.17.05	47 mm	01.11.15
24G13	01.17.14	46 mm	01.11.15
24G13	01.17.15	45 mm	01.11.15
24G13	01.17.21	44 mm	01.11.15
24G14	01.17.20	43 mm	01.11.15
24G14	01.17.05	42 mm	01.11.15
24G14	01.17.14	41 mm	01.11.15
24G14	01.17.15	40 mm	01.11.15
24G14	01.17.21	39 mm	01.11.15
24G15	01.17.20	38 mm	01.11.15
24G15	01.17.05	37 mm	01.11.15
24G15	01.17.14	36 mm	01.11.15
24G15	01.17.15	35 mm	01.11.15
24G15	01.17.21	34 mm	01.11.15
24G16	01.17.20	33 mm	01.11.15
24G16	01.17.05	32 mm	01.11.15
24G16	01.17.14	31 mm	01.11.15
24G16	01.17.15	30 mm	01.11.15
24G16	01.17.21	29 mm	01.11.15

B, CAM ÇITASI GLAZING BEAD	C, İÇ CAM FİTİLİ GLAZING GASKET	A, CAM KALINLIĞI GLASS THICKNESS	D, DIŞ CAM FİTİLİ GLAZING GASKET
24G17	01.17.20	28 mm	01.11.15
24G17	01.17.05	27 mm	01.11.15
24G17	01.17.14	26 mm	01.11.15
24G17	01.17.15	25 mm	01.11.15
24G17	01.17.21	24 mm	01.11.15
24G18	01.17.20	23 mm	01.11.15



CAM MONTAJINDA SADECE BU SİSTEM İÇİN TASARLANAN VE ÜRETİLEN FİTİLLER KULLANILMALIDIR. FARKLI MALZEME KULLANIMLARI İŞLEVSEL VE TASARIMSAL SORUNLARA SEBEP OLABİLİR. THE GASKETS USED DURING INSTALLING THE GLASS SHOULD BE ONLY THE ONES CREATED FOR THIS SYSTEM. THE USE OF OTHER MATERIALS MAY CAUSE FUNCTIONAL AND DESIGN PROBLEMS.

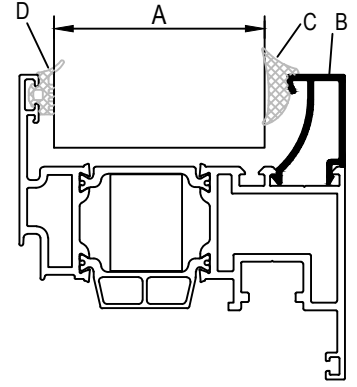
TABLODA VERİLEN CAM KALINLIKLARI TEORİK OLUP SİSTEMİN ISI PERFORMANS KRİTERLERİNDEN BAĞIMSIZDIR. THE GLASS THICKNESSES IN THE TABLE ARE THEORETICAL AND INDEPENDENT FROM THERMAL PERFORMANCE CRITERIA OF THE SYSTEM.

YUKARIDAKİ TABLODA VERİLEN CAM-FİTİL VE PROFİL İLİŞKİSİ TEORİK OLUP PROFİL VE CAM TOLERANSLARINDAN KAYNAKLI ÖLÇÜ FARKLILIKLARI OLUŞABİLİR. THE RELATIONSHIP BETWEEN GLASS-GASKET AND PROFILE PROVIDED IN THE TABLE IS THEORETICAL. IT MAY OCCUR DIMENSION DIFFERENCES FROM THE TOLERANCES OF PROFILE AND GLASS.

UYGULANAN PROFİLLER:AMT75V02-AMT75V04-AMT75V03-AMT75DV05-AMT75DV06-AMT75V05  
USE WITH: AMT75V02-AMT75V04-AMT75V03-AMT75DV05-AMT75DV06-AMT75V05

B, CAM ÇITASI GLAZING BEAD	C, İÇ CAM FİTİLİ GLAZING GASKET	A, CAM KALINLIĞI GLASS THICKNESS	D, DIŞ CAM FİTİLİ GLAZING GASKET
24G13	01.17.20	58 mm	01.11.15
24G13	01.17.05	57 mm	01.11.15
24G13	01.17.14	56 mm	01.11.15
24G13	01.17.15	55 mm	01.11.15
24G13	01.17.21	54 mm	01.11.15
24G14	01.17.20	53 mm	01.11.15
24G14	01.17.05	52 mm	01.11.15
24G14	01.17.14	51 mm	01.11.15
24G14	01.17.15	50 mm	01.11.15
24G14	01.17.21	49 mm	01.11.15
24G15	01.17.20	48 mm	01.11.15
24G15	01.17.05	47 mm	01.11.15
24G15	01.17.14	46 mm	01.11.15
24G15	01.17.15	45 mm	01.11.15
24G15	01.17.21	44 mm	01.11.15
24G16	01.17.20	43 mm	01.11.15
24G16	01.17.05	42 mm	01.11.15
24G16	01.17.14	41 mm	01.11.15
24G16	01.17.15	40 mm	01.11.15
24G16	01.17.21	39 mm	01.11.15

B, CAM ÇITASI GLAZING BEAD	C, İÇ CAM FİTİLİ GLAZING GASKET	A, CAM KALINLIĞI GLASS THICKNESS	D, DIŞ CAM FİTİLİ GLAZING GASKET
24G17	01.17.20	38 mm	01.11.15
24G17	01.17.05	37 mm	01.11.15
24G17	01.17.14	36 mm	01.11.15
24G17	01.17.15	35 mm	01.11.15
24G17	01.17.21	34 mm	01.11.15
24G18	01.17.20	33 mm	01.11.15
24G18	01.17.05	32 mm	01.11.15
24G18	01.17.14	31 mm	01.11.15
24G18	01.17.15	30 mm	01.11.15
24G18	01.17.21	29 mm	01.11.15



CAM MONTAJINDA SADECE BU SİSTEM İÇİN TASARLANAN VE ÜRETİLEN FİTİLLER KULLANILMALIDIR. FARKLI MALZEME KULLANIMLARI İŞLEVSEL VE TASARIMSAL SORUNLARA SEBEP OLABİLİR. THE GASKETS USED DURING INSTALLING THE GLASS SHOULD BE ONLY THE ONES CREATED FOR THIS SYSTEM. THE USE OF OTHER MATERIALS MAY CAUSE FUNCTIONAL AND DESIGN PROBLEMS.

TABLODA VERİLEN CAM KALINLIKLARI TEORİK OLUP SİSTEMİN ISI PERFORMANS KRİTERLERİNDEN BAĞIMSIZDIR. THE GLASS THICKNESSES IN THE TABLE ARE THEORETICAL AND INDEPENDENT FROM THERMAL PERFORMANCE CRITERIA OF THE SYSTEM.

YUKARIDAKİ TABLODA VERİLEN CAM-FİTİL VE PROFİL İLİŞKİSİ TEORİK OLUP PROFİL VE CAM TOLERANSLARINDAN KAYNAKLI ÖLÇÜ FARKLILIKLARI OLUŞABİLİR. THE RELATIONSHIP BETWEEN GLASS-GASKET AND PROFILE PROVIDED IN THE TABLE IS THEORETICAL. IT MAY OCCUR DIMENSION DIFFERENCES FROM THE TOLERANCES OF PROFILE AND GLASS.

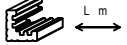
KÖŞE TAKOZLARI (CORNER CLEATS)


PROFİL KODU (PROFILE CODE)	25L03	25L22	25L25	25L25M
FABRİKA KODU(FACTORY CODE)	A002021	A002168	A010539	A010539-M01
AĞIRLIK (WEIGHT)	4,315 kg/m	12,627 kg/m	8,394 kg/m	
ÇİZİM (DRAWING)				
PROFİL KODU (PROFILE CODE)	25L26	25L31	25L32	25L35
FABRİKA KODU(FACTORY CODE)	A010540	A010545	A002430	A010076
AĞIRLIK (WEIGHT)	4,870 kg/m		3,702 kg/m	4,192 kg/m
ÇİZİM (DRAWING)				
PROFİL KODU (PROFILE CODE)	25L36	25L37	25L44	25L51
FABRİKA KODU(FACTORY CODE)	A002397	A002398	A010786	A010887
AĞIRLIK (WEIGHT)	3,229 kg/m	7,970 kg/m	6,652 kg/m	4,409 kg/m
ÇİZİM (DRAWING)				

DIŞA AÇILIM KÖŞE TAKOZU PROFİLLERİ  
CORNER CLEATS PROFILES FOR OUTWARD OPENING

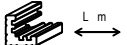
KÖŞE TAKOZLARI (CORNER CLEATS)

PROFİL KODU (PROFILE CODE)	25L40	25L43	25L01	
FABRİKA KODU(FACTORY CODE)	A010702	A010785	A002019	
AĞIRLIK (WEIGHT)	4,304 kg/m	6,427 kg/m	5,894 kg/m	
ÇİZİM (DRAWING)				

Nr			KESİM ÖLÇÜSÜ CUTTING SIZE	AKS. KODU ACS. CODE
AMT75F02	A011225	25L36 (A002397)	24,6 mm	288 L 36
	A011224	25L36 (A002397)	7,6 mm	287 L 36
AMT75F03	A011299	25L36 (A002397)	24,6 mm	288 L 36
	A011298	25L36 (A002397)	7,6 mm	287 L 36
AMT75F05	A011877	25L36 (A002397)	24,6 mm	288 L 36
	A011298	25L36 (A002397)	7,6 mm	287 L 36
AMT75F07	A018520	25L26 (A010540)	24,6 mm	288 L 26
	A018521	25L26 (A010540)	7,6 mm	287 L 26
AMT75F08	A018520	25L26 (A010540)	24,6 mm	288 L 26
	A018682	25L26 (A010540)	7,6 mm	287 L 26
AMT75F09	A019465	25L31 (A010545)	24,6 mm	288 L 31
	A019464	25L31 (A010545)	7,6 mm	287 L 31
AMT75DF01	A011239	25L32 (A002430)	28,1 mm	126 L 32
	A011238	25L32 (A002430)	6,1 mm	127 L 32
AMT75DF02	A011236	25L32 (A002430)	28,1 mm	126 L 32
	A011237	25L32 (A002430)	6,1 mm	127 L 32
AMT75M02	A011225	25L36 (A002397)	24,6 mm	288 L 36
	A011230	25L36 (A002397)	7,6 mm	287 L 36
AMT75M04	A011217	25L35 (A010076)	30,9 mm	110 L 35
	A011216	25L35 (A010076)	11,3 mm	342 L 35
AMT75M05	A011215	25L36 (A002397)	30,9 mm	110 L 36
	A011214	25L36 (A002397)	11,3 mm	342 L 36
AMT75M06	A011299	25L36 (A002397)	24,6 mm	288 L 36
	A011306	25L36 (A002397)	7,6 mm	287 L 36
AMT75M08	A011299	25L36 (A002397)	24,6 mm	288 L 36
	A011631	25L36 (A002397)	7,6 mm	287 L 36
AMT75M09	A011229	25L03 (A002021)	24,5 mm	310 L 03
	A011228	25L03 (A002021)	7,6 mm	287 L 03
AMT75M10	A018520	25L26 (A010540)	24,6 mm	288 L 26
	A018527	25L26 (A010540)	7,6 mm	287 L 26
AMT75M11	A018520	25L26 (A010540)	24,6 mm	288 L 26
	A018683	25L26 (A010540)	7,6 mm	287 L 26
AMT75M12	A018520	25L26 (A010540)	24,6 mm	288 L 26
	A019321	25L26 (A010540)	7,6 mm	287 L 26
AMT75M14	A011299	25L36 (A002397)	24,6 mm	288 L 36
	A021275	25L36 (A002397)	7,6 mm	287 L 36

Nr			KESİM ÖLÇÜSÜ CUTTING SIZE	AKS. KODU ACS. CODE
AMT75V02	A011221	25L36 (A002397)	31,9 mm	274 L 36
	A011220	25L36 (A002397)	6,8 mm	275 L 36
AMT75V03	A011219	25L03 (A002021)	31,9 mm	274 L 03
	A011218	25L03 (A002021)	6,8 mm	275 L 03
AMT75V04	A011301	25L36 (A002397)	30,9 mm	110 L 36
	A011300	25L36 (A002397)	5,8 mm	167 L 36
AMT75V05	A011717	25L51 (A010887)	30,9 mm	110 L 51
	A011300	25L36 (A002397)	5,8 mm	167 L 36
AMT75V09	A018522	25L25 (A010539)	34,6 mm	250 L 25
	A018523	25L26 (A010540)	7,6 mm	287 L 26
AMT75V11	A018684	25L25 (A010539)	30,9 mm	110 L 25
	A018685	25L25(A010539M01)	11,3 mm	342 L 25M
AMT75DV01	A011235	25L26 (A010540)	28,1 mm	126 L 26
	A011234	25L32 (A002430)	6,1 mm	127 L 32
AMT75DV02	A011233	25L26 (A010540)	20,0 mm	277 L 26
	A011232	25L44 (A010786)	6,1 mm	127 L 44
AMT75DV03	A011303	25L26 (A010540)	27,1 mm	289 L 26
	A011302	25L32 (A002430)	5,1 mm	228 L 32
AMT75DV04	A011305	25L26 (A010540)	19,1 mm	150 L 26
	A011304	25L44 (A010786)	5,1 mm	228 L 44
AMT75DV05	A011718	25L03 (A002021)	30,9 mm	110 L 03
	A011720	25L44 (A010786)	5,9 mm	128 L 44
AMT75DV06	A011719	25L03 (A002021)	24,9 mm	322 L 03
	A011721	25L03 (A002021)	5,9 mm	128 L 03
AMT75DV07	A018716	25L22 (A002168)	14,8 mm	324 L 22
	A018717	25L25 (A010539)	27,4 mm	375 L 25
AMT75DV08	A018716	25L22 (A002168)	14,8 mm	324 L 22
	A018718	25L25 (A010539)	27,4 mm	375 L 25
AMT75DV09	A018523	25L26 (A010540)	34,6 mm	287 L 26
	A018785	25L22 (A002168)	7,6 mm	250 L 22
AMT75DV10	A018786	25L22 (A002168)	27,4 mm	375 L 22
	A018716	25L22 (A002168)	14,8 mm	324 L 22
AMT75DA04	A015658	25L37 (A002398)	27,7 mm	108 L 37
AMT75DA05	A019468	25L01 (A002019)	11,8 mm	368 L 01
	A018247	25L01 (A002019)	16,5 mm	305 L 01

DIŞA AÇILIM KÖŞE TAKOZU PROFİLLERİ  
CORNER CLEATS PROFILES FOR OUTWARD OPENING

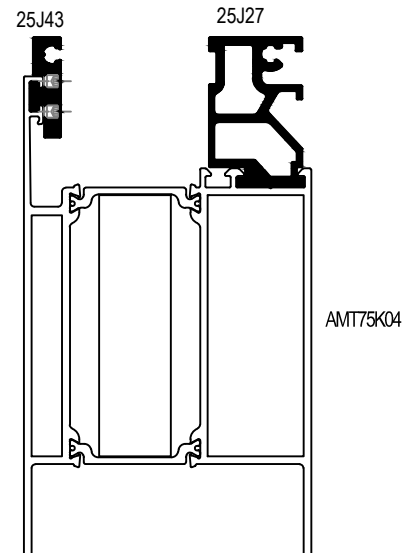
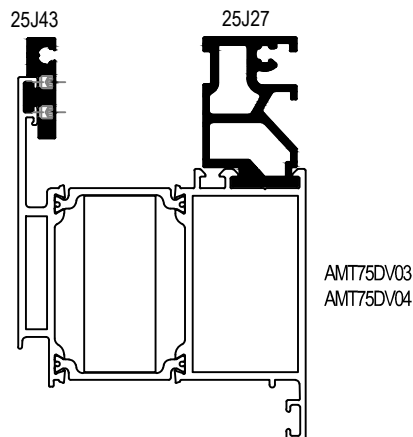
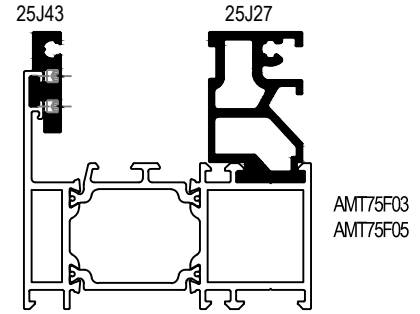
Nr			KESİM ÖLÇÜSÜ CUTTING SIZE	AKS. KODU ACS. CODE
AMT75V08	A018250	25L40 (A010702)	28,2 mm	253 L 40
	A018249	25L43 (A010785)	10,0 mm	367 L 43
AMT75A07	A018248	25L01 (A002019)	11,8 mm	368 L 01
	A018247	25L01 (A002019)	16,5 mm	305 L 01

ORTA KAYIT BAĞLANTILAR (MULLION CONNECTION PIECES)

PROFİL KODU (PROFILE CODE)	25J27	25J41	25J42	25J43
FABRİKA KODU(FACTORY CODE)	A011352	A011872	A011873	A011874
AĞIRLIK (WEIGHT)	0,889 kg/m	0,992 kg/m	0,456 kg/m	0,403 kg/m
ÇİZİM (DRAWING)				

KASA-ORTAKAYIT-AMT75DV03&04&05&06 İÇİNDE KULLANILIRSA  
USED IN FRAME- MULLION - AMT756DV03&04&05&06

Nr		L m	KESİM ÖLÇÜSÜ CUTTING SIZE	AKS. KODU ACS. CODE
AMT75M02	A011225	25J27 (A011352)	23,7 mm	285 J 27
	A011230	25J43 (A011874)	23,7 mm	285 J 43
AMT75M04	A011217	25J41 (A011872)	12,6 mm	286 J 41
	A011216	25J42 (A011873)	12,6 mm	286 J 42
AMT75M05	A011215	25J41 (A011872)	23,7 mm	285 J 41
	A011214	25J42 (A011873)	23,7 mm	285 J 42
AMT75M06	A011299	25J27 (A011352)	23,7 mm	285 J 27
	A011306	25J43 (A011874)	23,7 mm	285 J 43
AMT75M08	A011299	25J27 (A011352)	23,7 mm	285 J 27
	A011631	25J43 (A011874)	23,7 mm	285 J 43
AMT75M09	A011229	25J27 (A011352)	36,4 mm	163 J 27
	A011228	25J43 (A011874)	36,4 mm	163 J 43
AMT75M10	A018520	25J27 (A011352)	45,5 mm	136 J 27
	A018527	25J43 (A011874)	45,5 mm	136 J 43
AMT75M11	A018520	25J27 (A011352)	45,5 mm	136 J 27
	A018683	25J43 (A011874)	45,5 mm	136 J 43
AMT75M12	A018520	25J27 (A011352)	45,5 mm	136 J 27
	A019321	25J43 (A011874)	45,5 mm	136 J 43
AMT75M14	A011299	25J27 (A011352)	23,7 mm	285 J 27
	A021275	25J43 (A011874)	23,7 mm	285 J 43
AMT75K04	A011308	25J27 (A011352)	67,6 mm	284 J 27
	A011307	25J43 (A011874)	62,5 mm	283 J 43



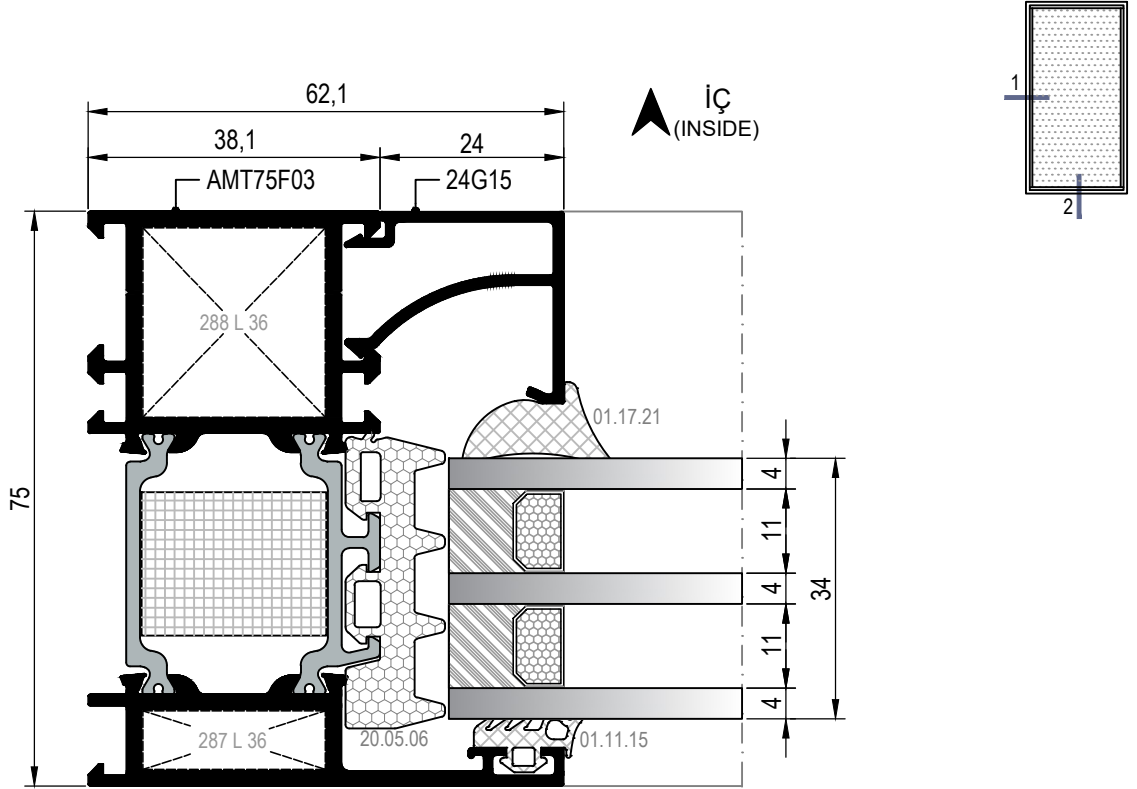
**MİMARİ KATALOG**  
ARCHITECTURAL CATALOGUE

Alüminyum Kapı ve Pencere Sistemleri  
Aluminium Door and Window Systems

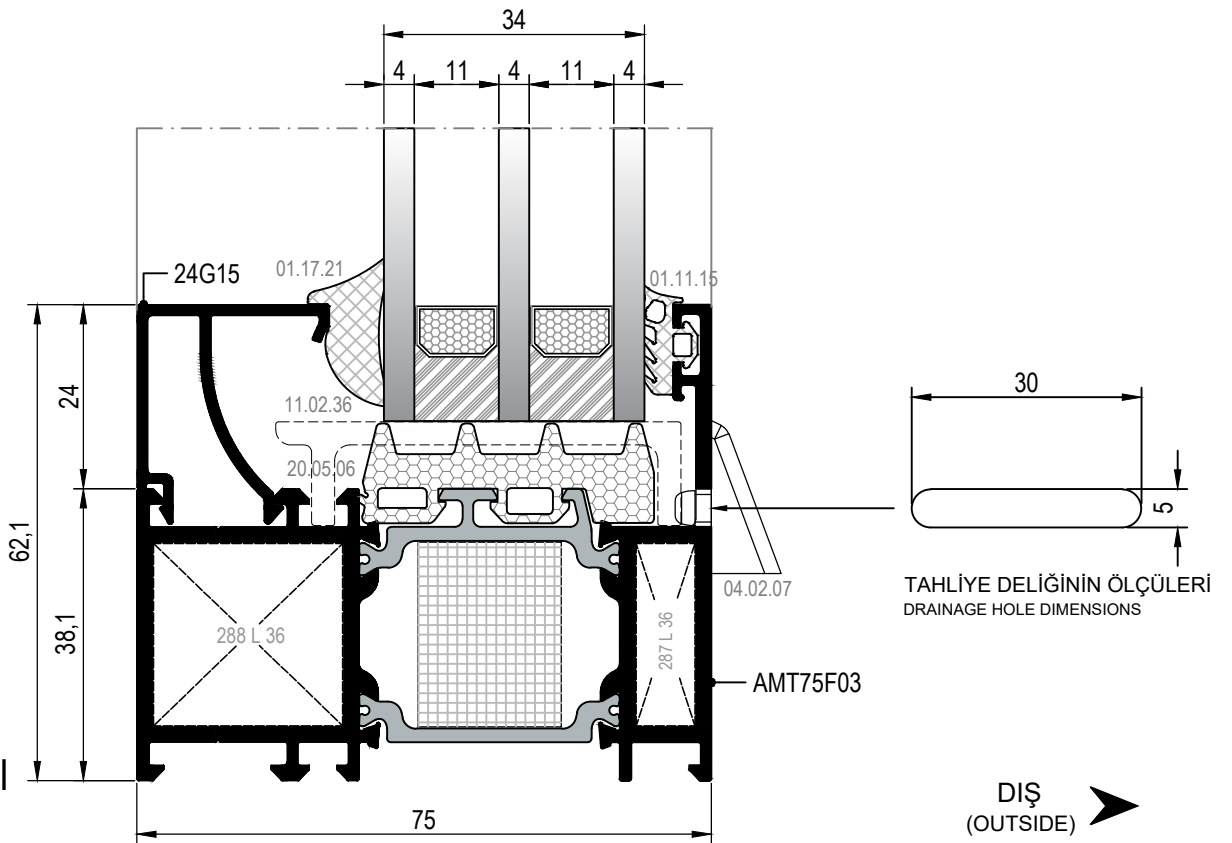
# RWT75

**İÇE-DIŞA AÇILIM PENCERE DETAYLARI**

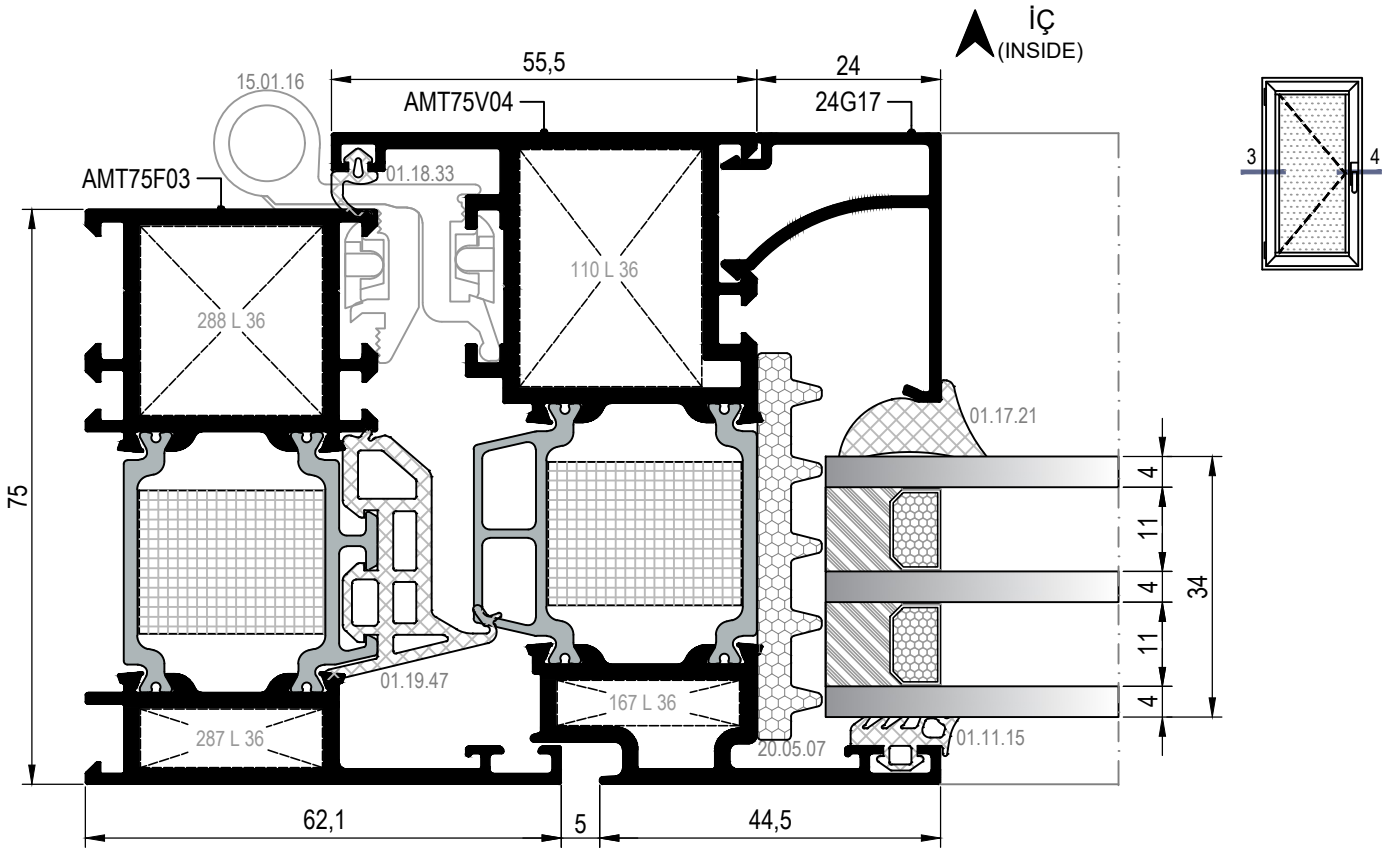
**INWARD-OUTWARD OPENING WINDOW**



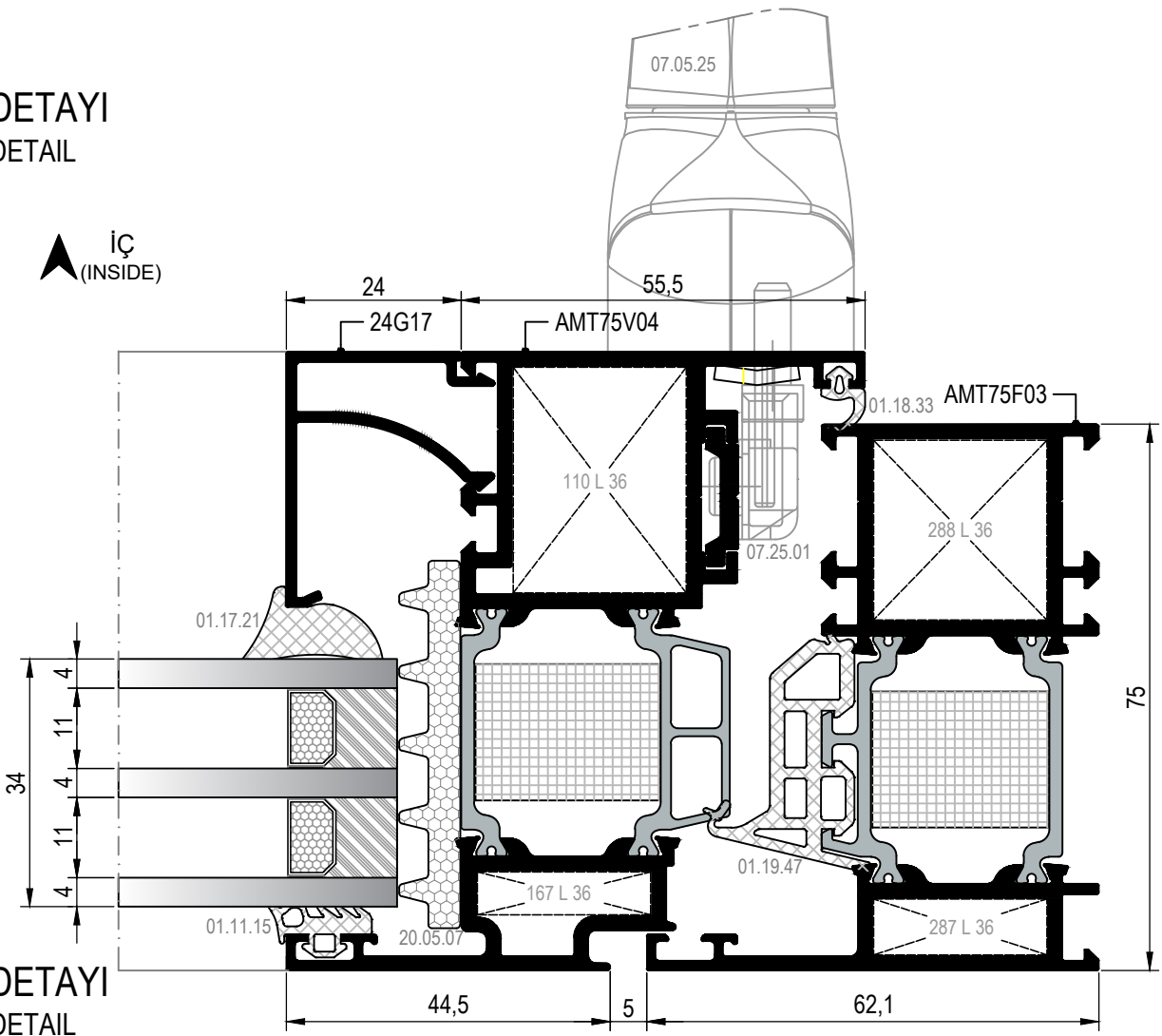
① DETAYI  
DETAIL



② DETAYI  
DETAIL



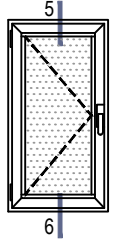
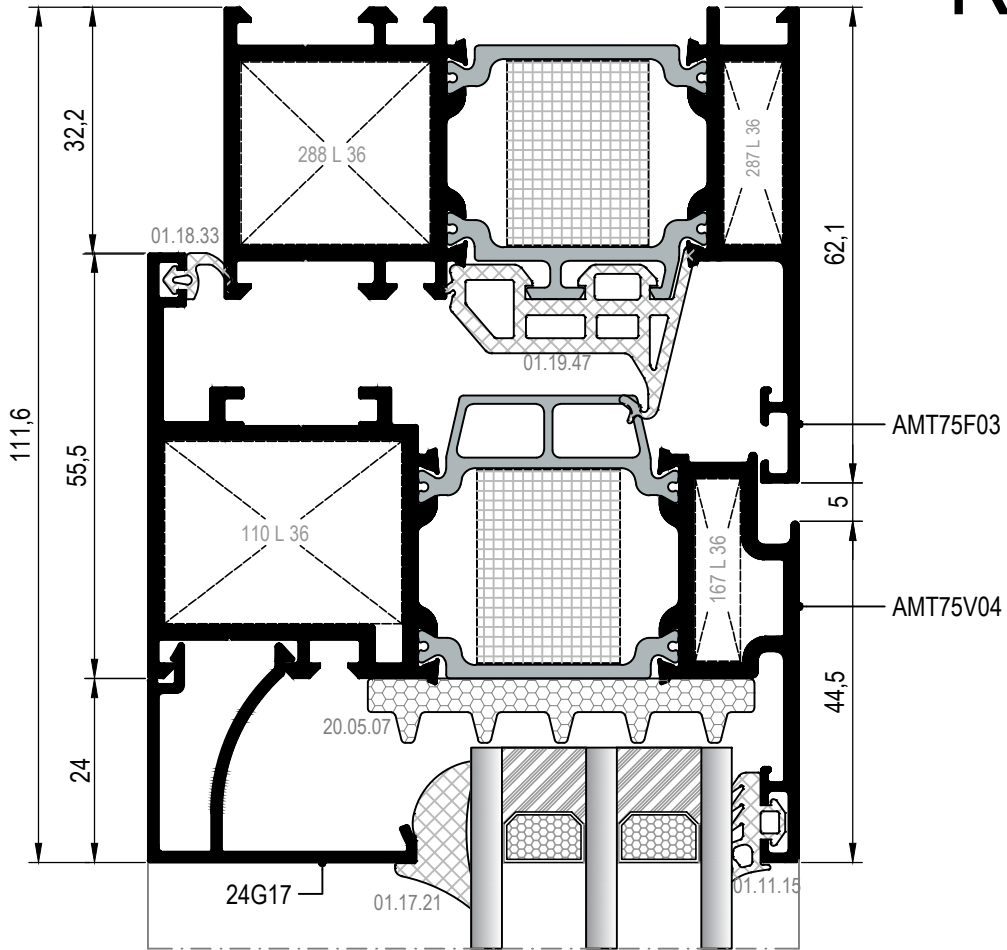
③ DETAYI  
DETAIL



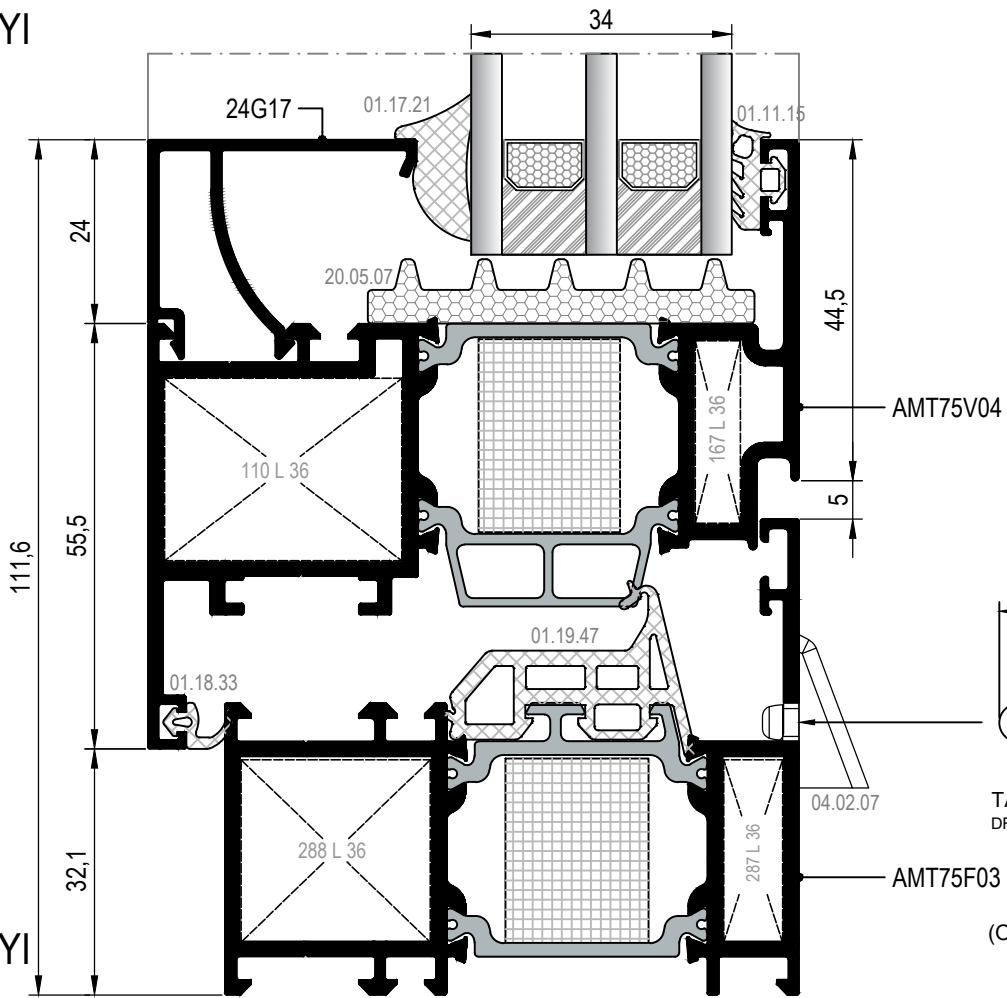
④ DETAYI  
DETAIL

DETAYLAR  
DETAILS

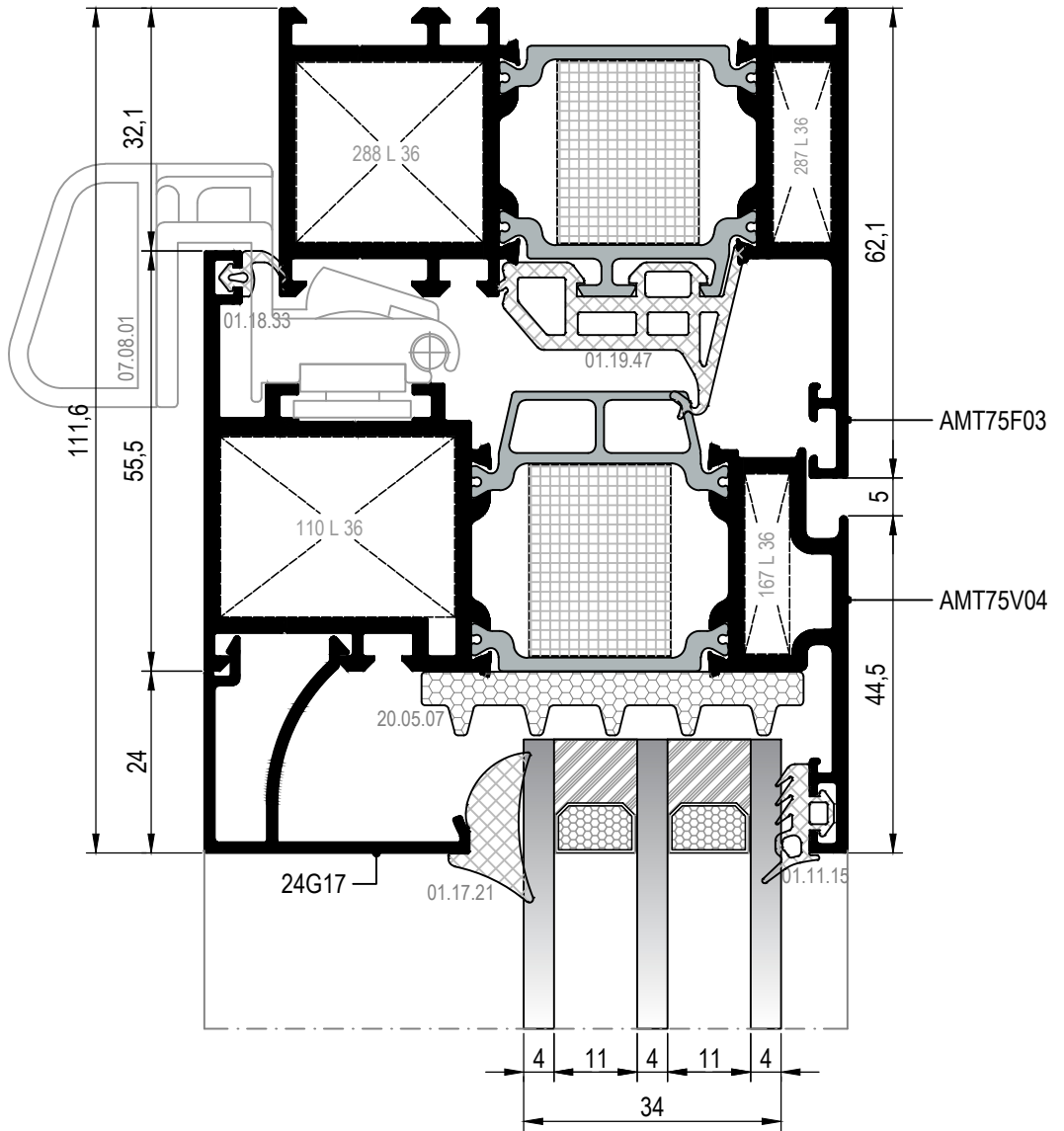
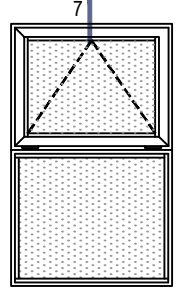
# RWT75



⑤ DETAYI  
DETAIL

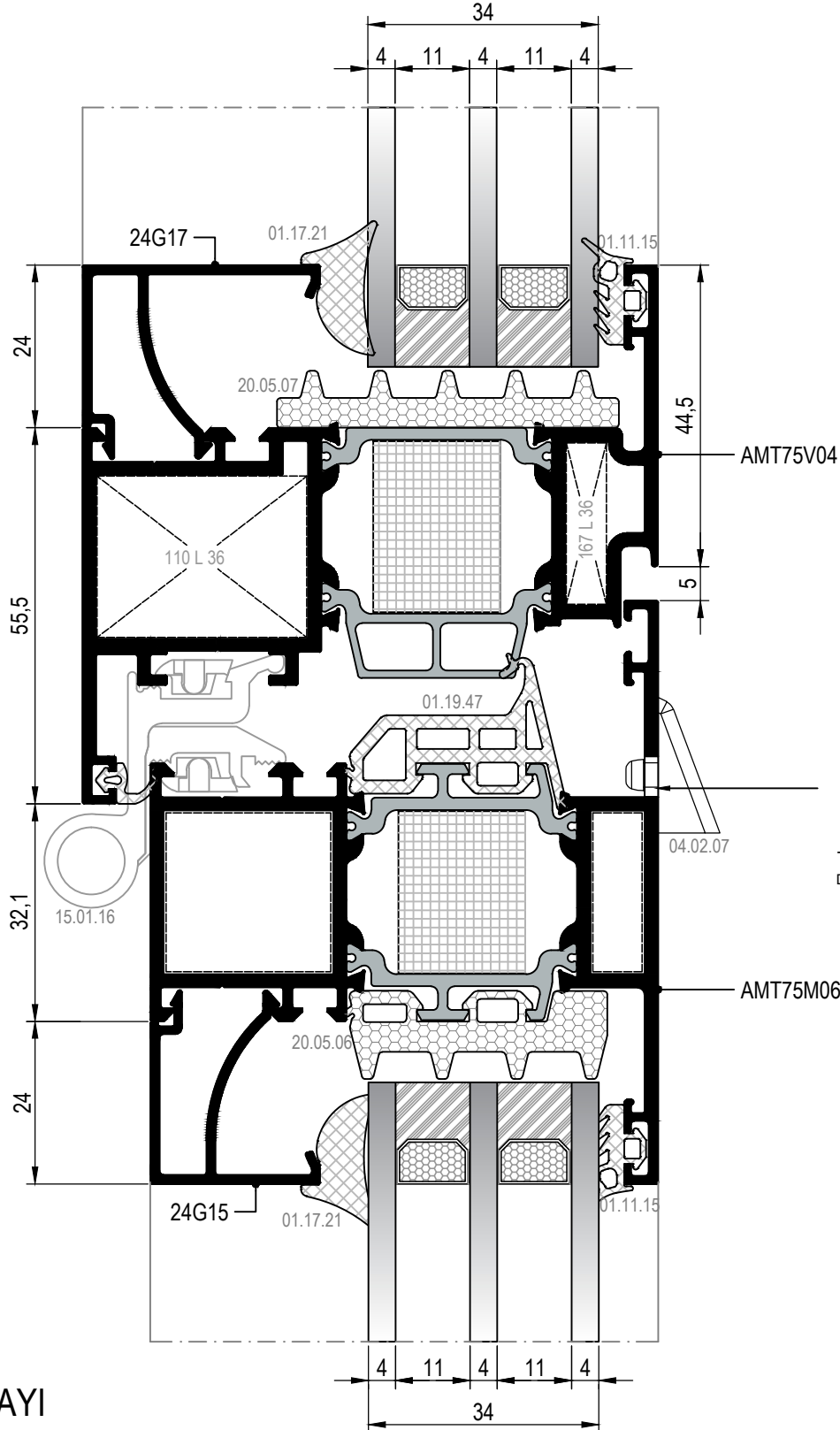
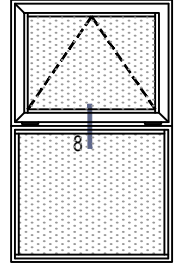


⑥ DETAYI  
DETAIL



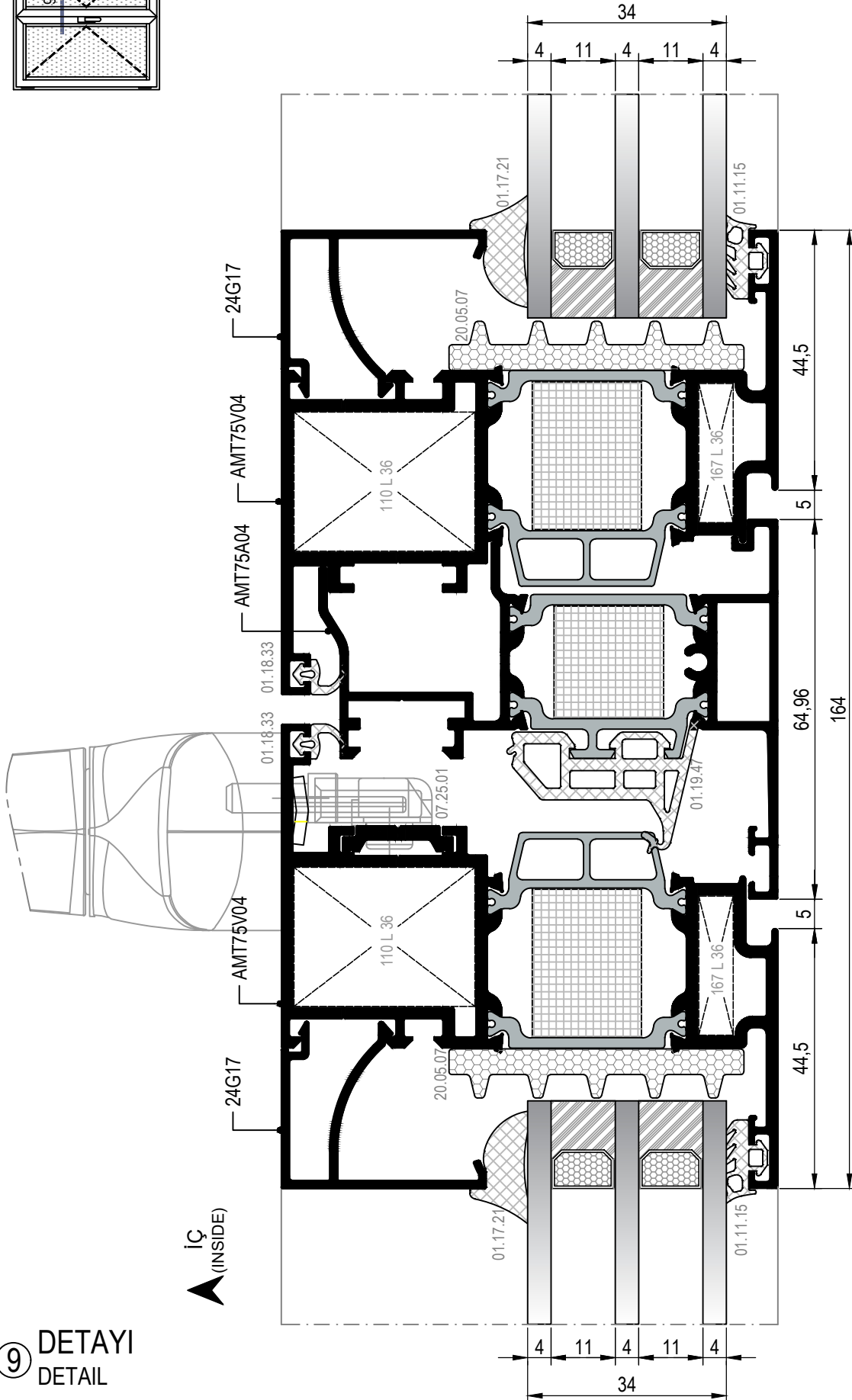
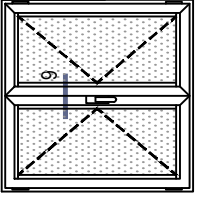
⑦ DETAYI  
DETAIL

DIŞ  
(OUTSIDE) ➔



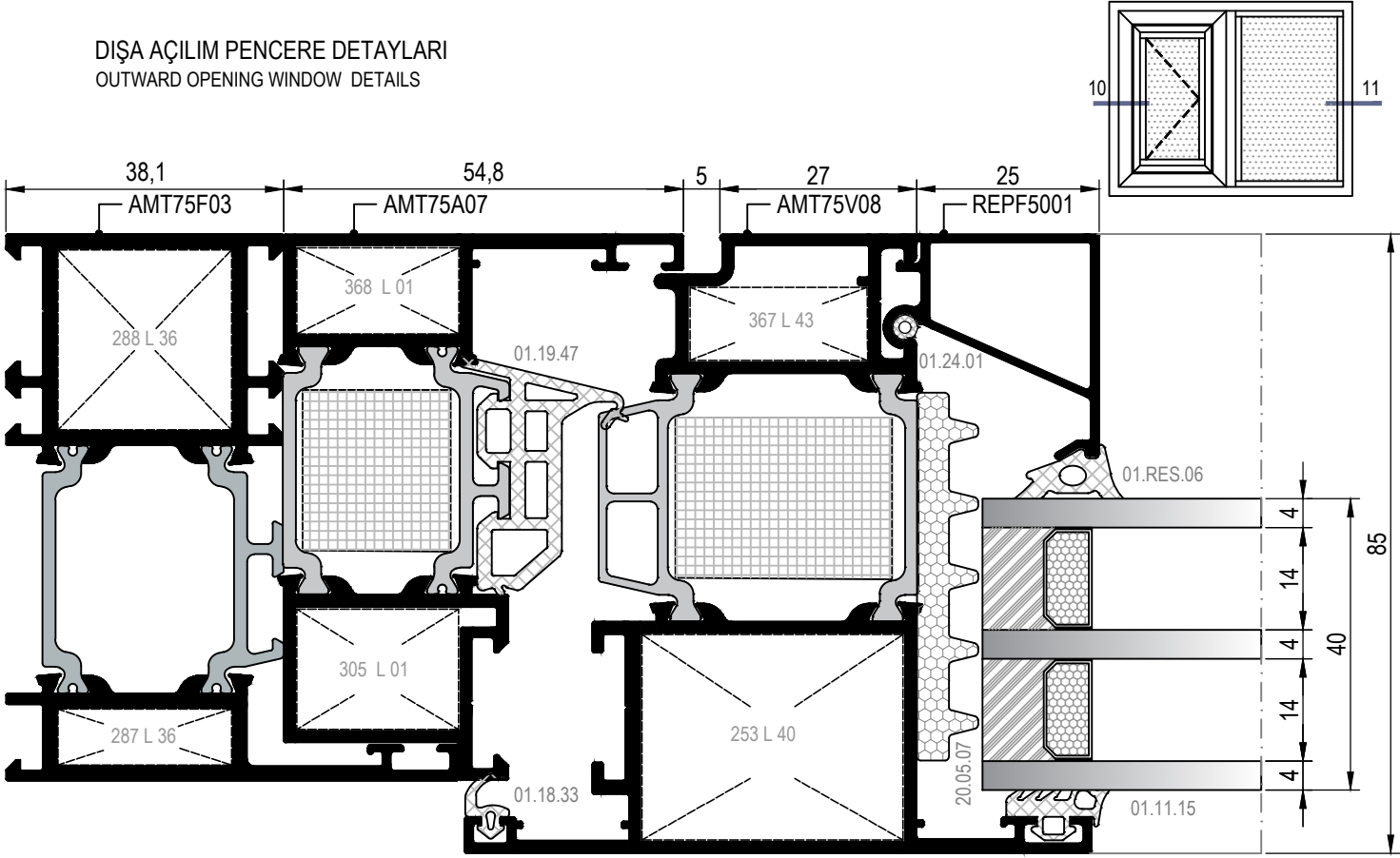
⑧ DETAYI  
DETAIL

DIŞ  
(OUTSIDE) ➔

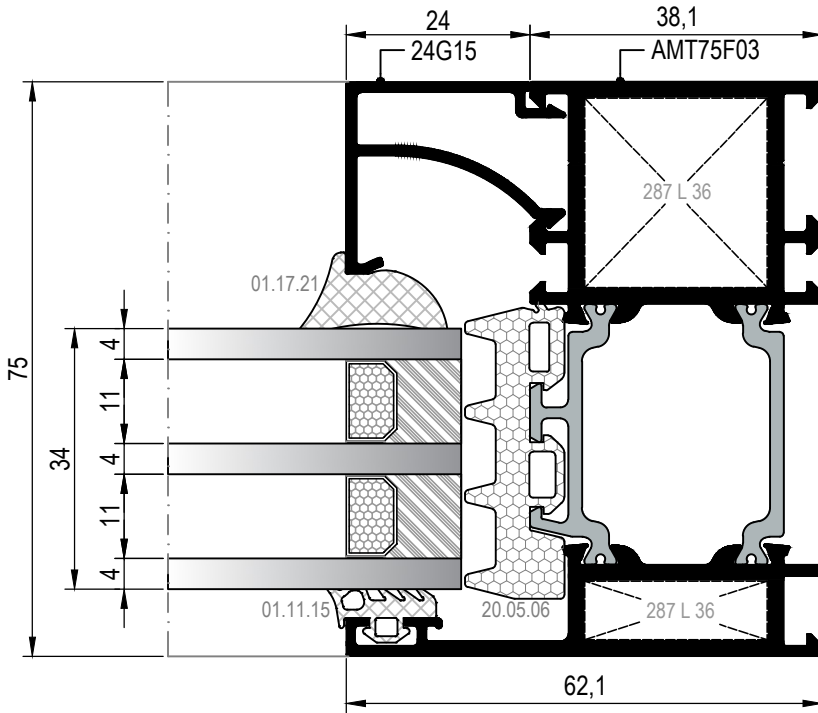


9 DETAYI  
DETAIL

DİŐA AÇILIM PENCERE DETAYLARI  
OUTWARD OPENING WINDOW DETAILS

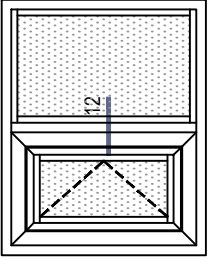


10 DETAYI  
DETAIL

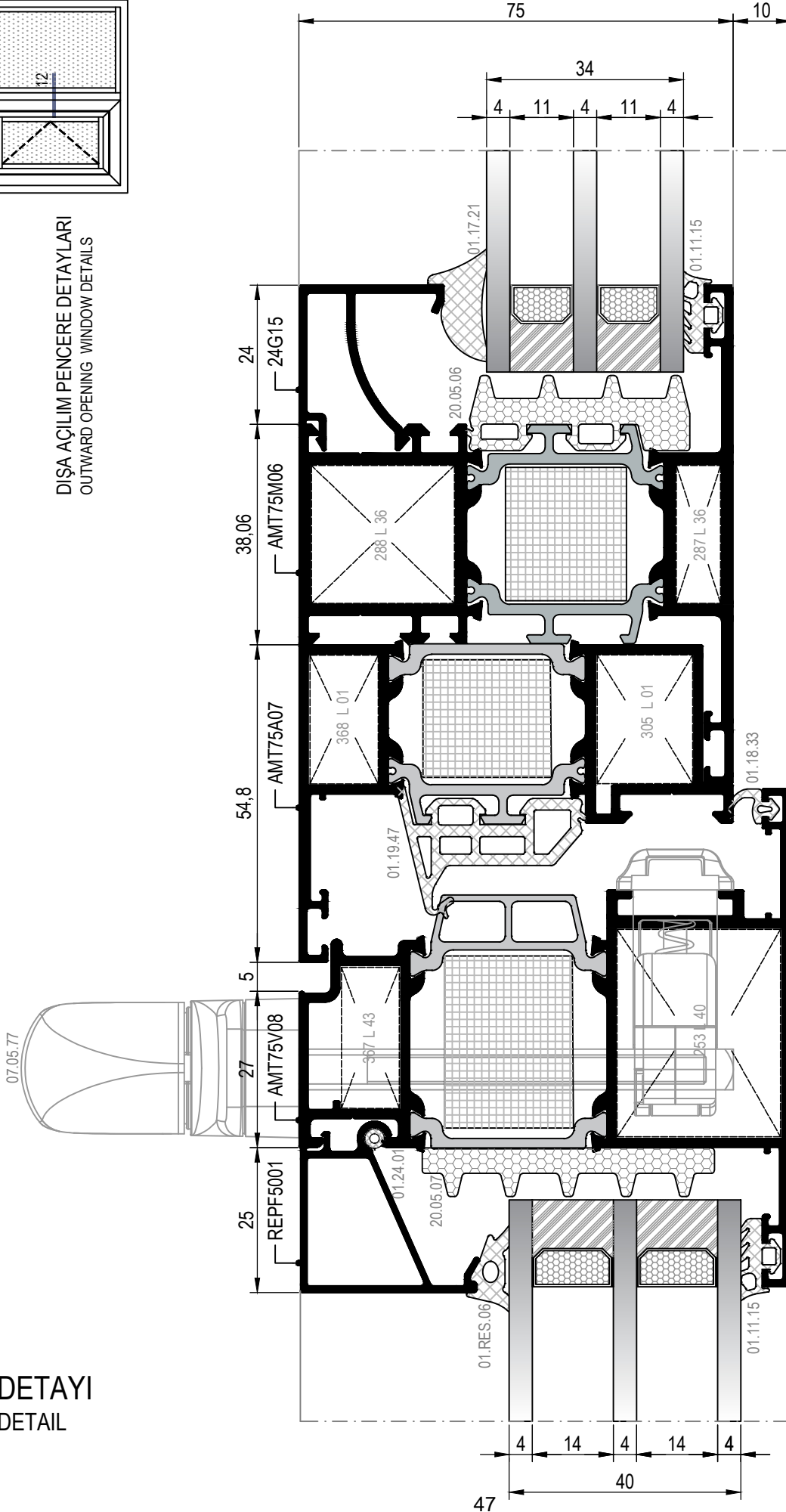


11 DETAYI  
DETAIL

▼ DİŐ  
(OUTSIDE)



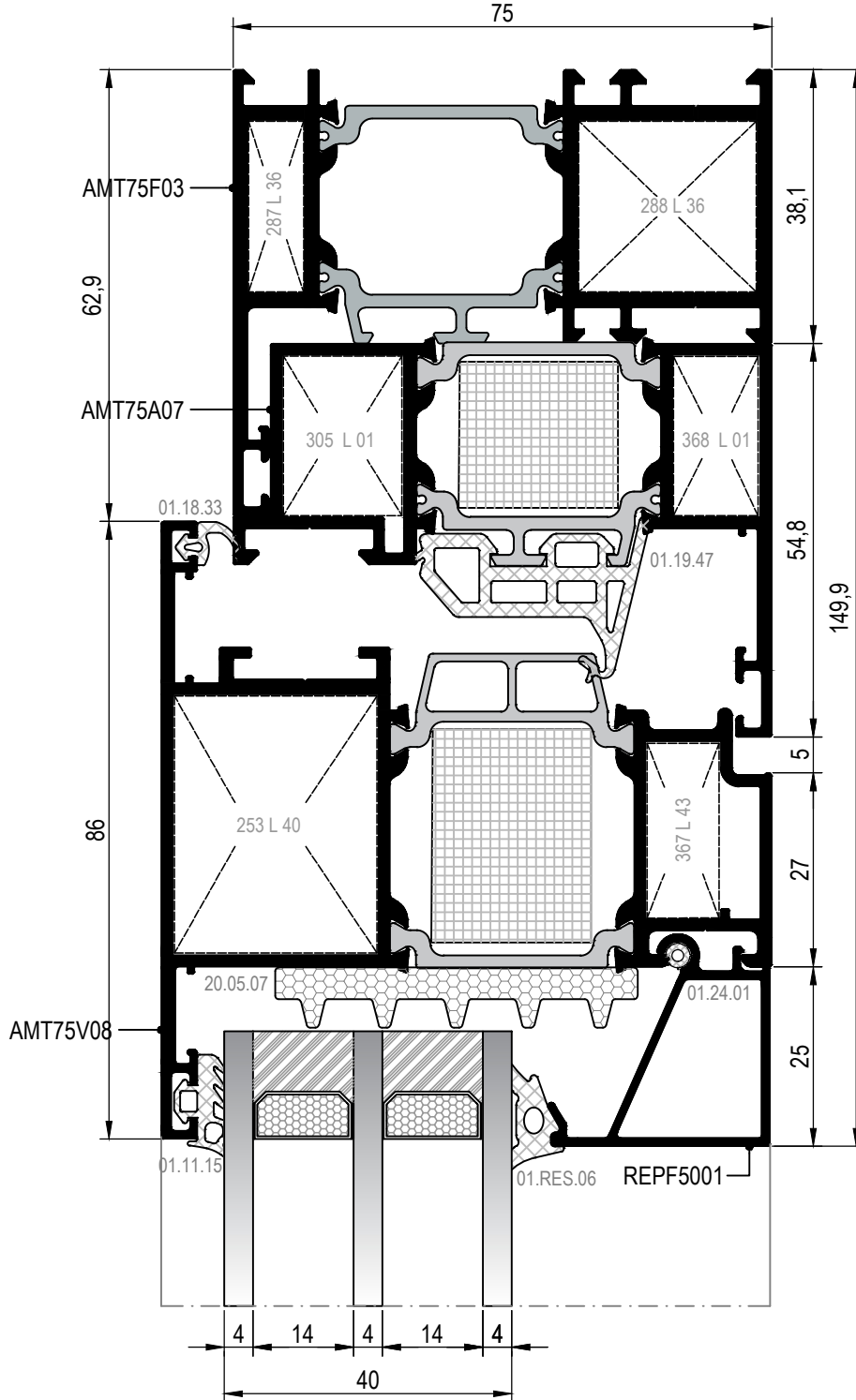
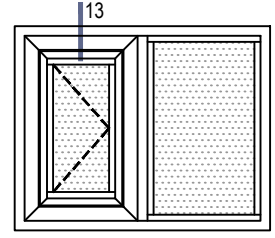
DIŐA AÇILIM PENCERE DETAYLARI  
OUTWARD OPENING WINDOW DETAILS



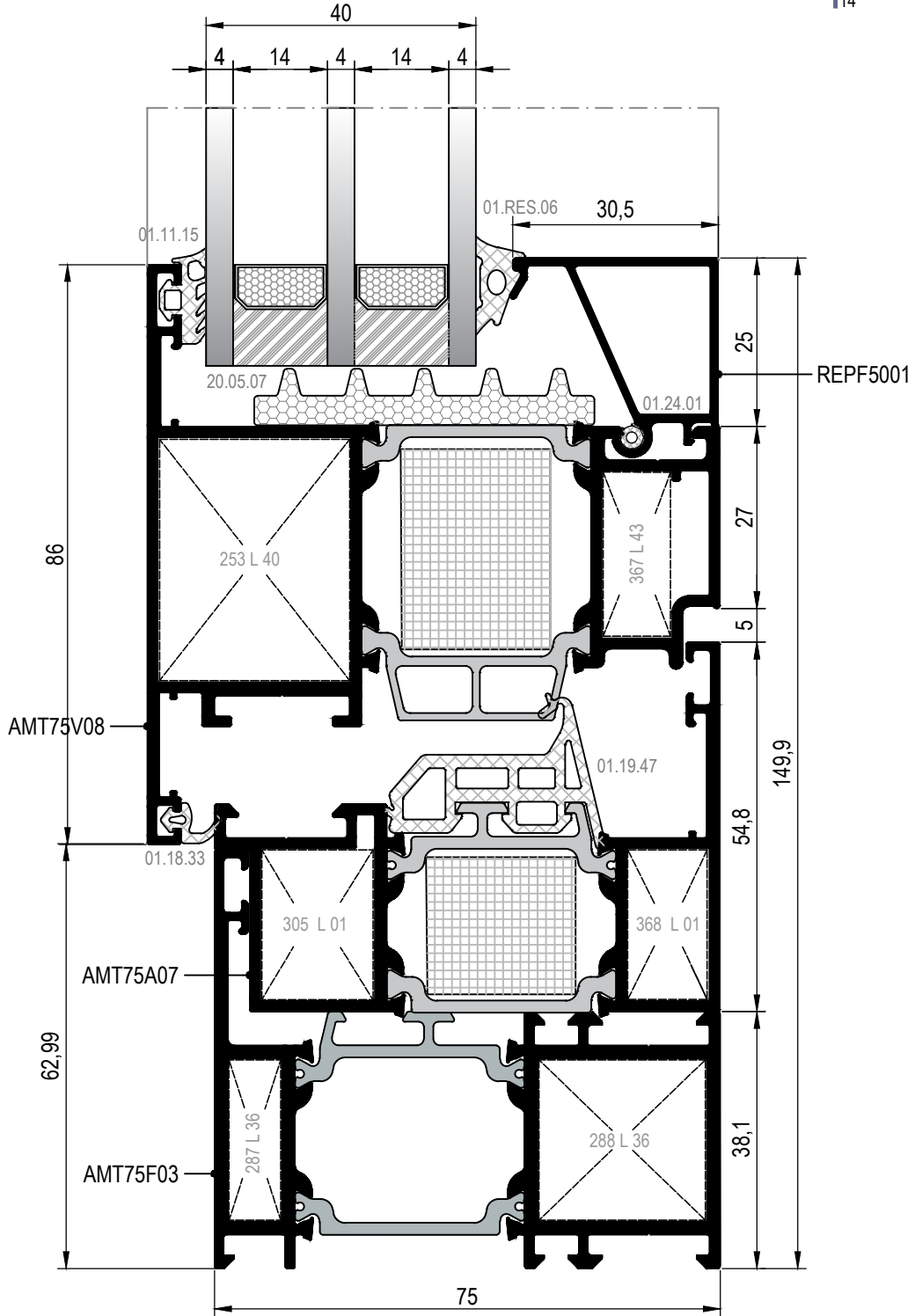
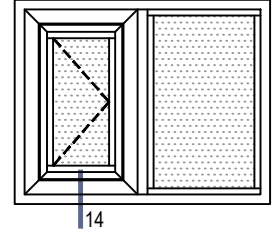
12 DETAYI  
DETAIL

DIŐ (OUTSIDE)

DİŞA AÇILIM PENCERE DETAYLARI  
OUTWARD OPENING WINDOW DETAILS

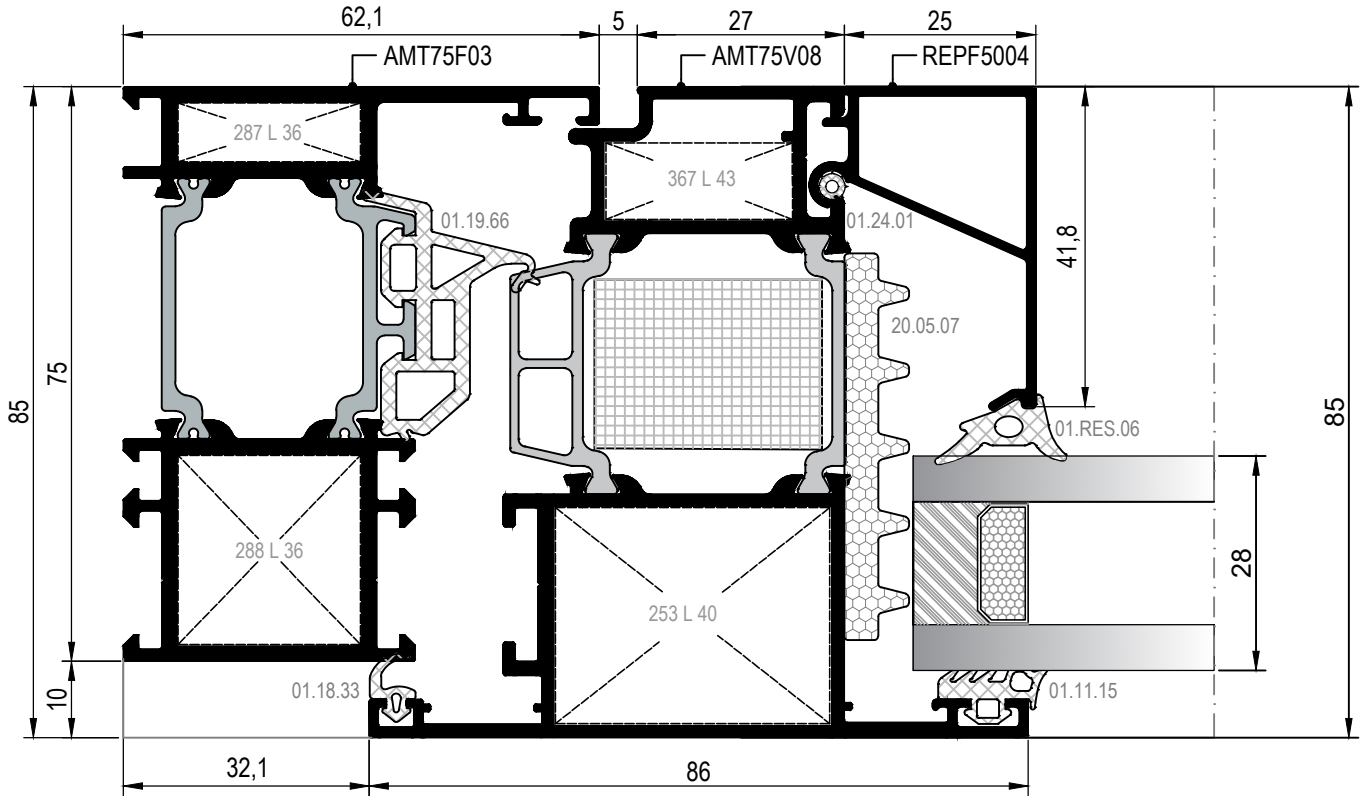
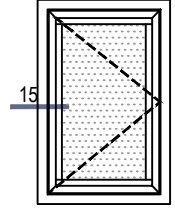


DİŐA AÇILIM PENCERE DETAYLARI  
OUTWARD OPENING WINDOW DETAILS



14 DETAYI  
DETAIL

DIŐA AÇILIM ADAPTÖRSÜZ PENCERE DETAYI  
OUTWARD OPENING WINDOW DETAIL WITHOUT ADAPTER



**MİMARİ KATALOG**  
ARCHITECTURAL CATALOGUE

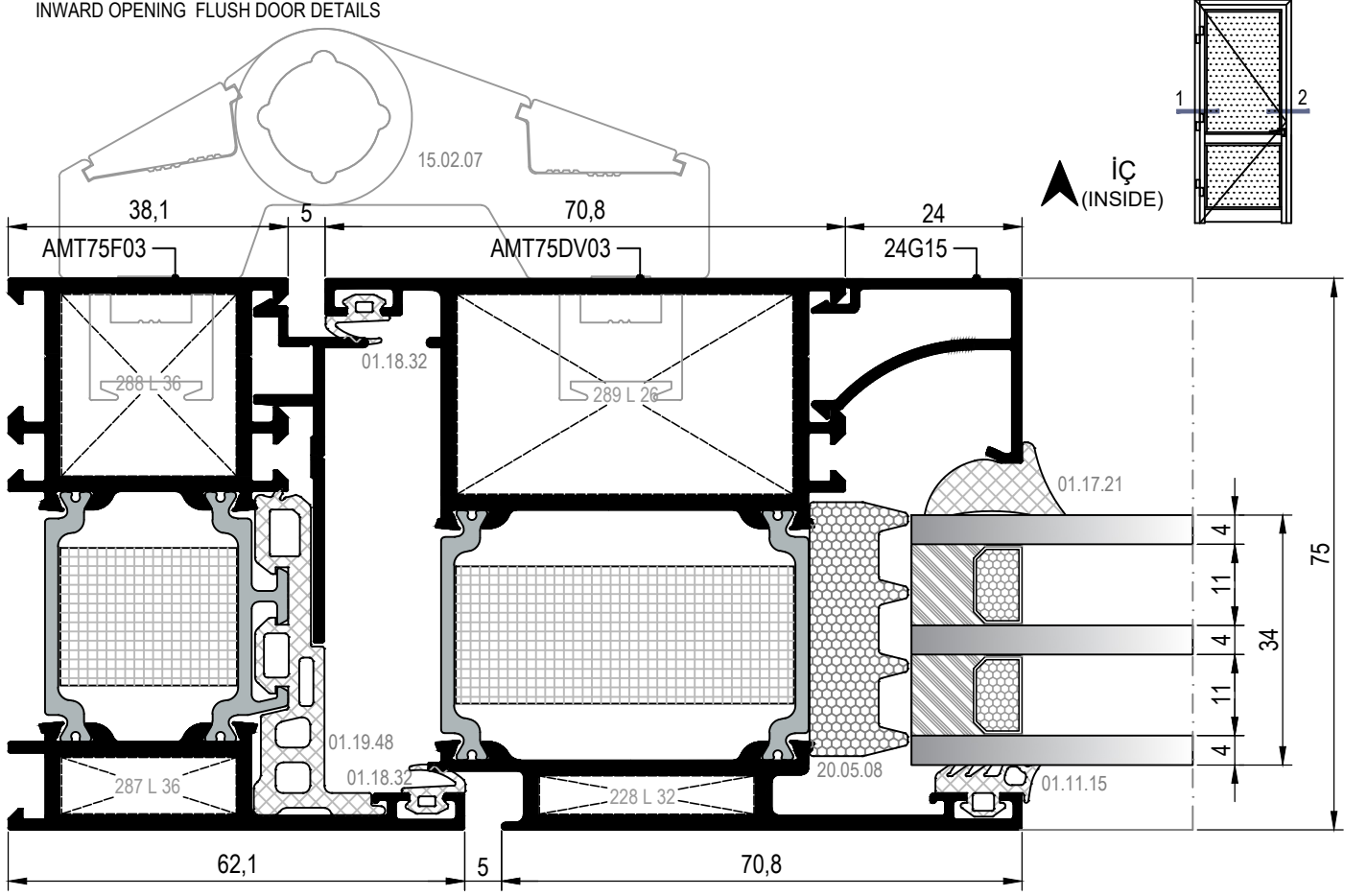
Alüminyum Kapı ve Pencere Sistemleri  
Aluminium Door and Window Systems

# RWT75

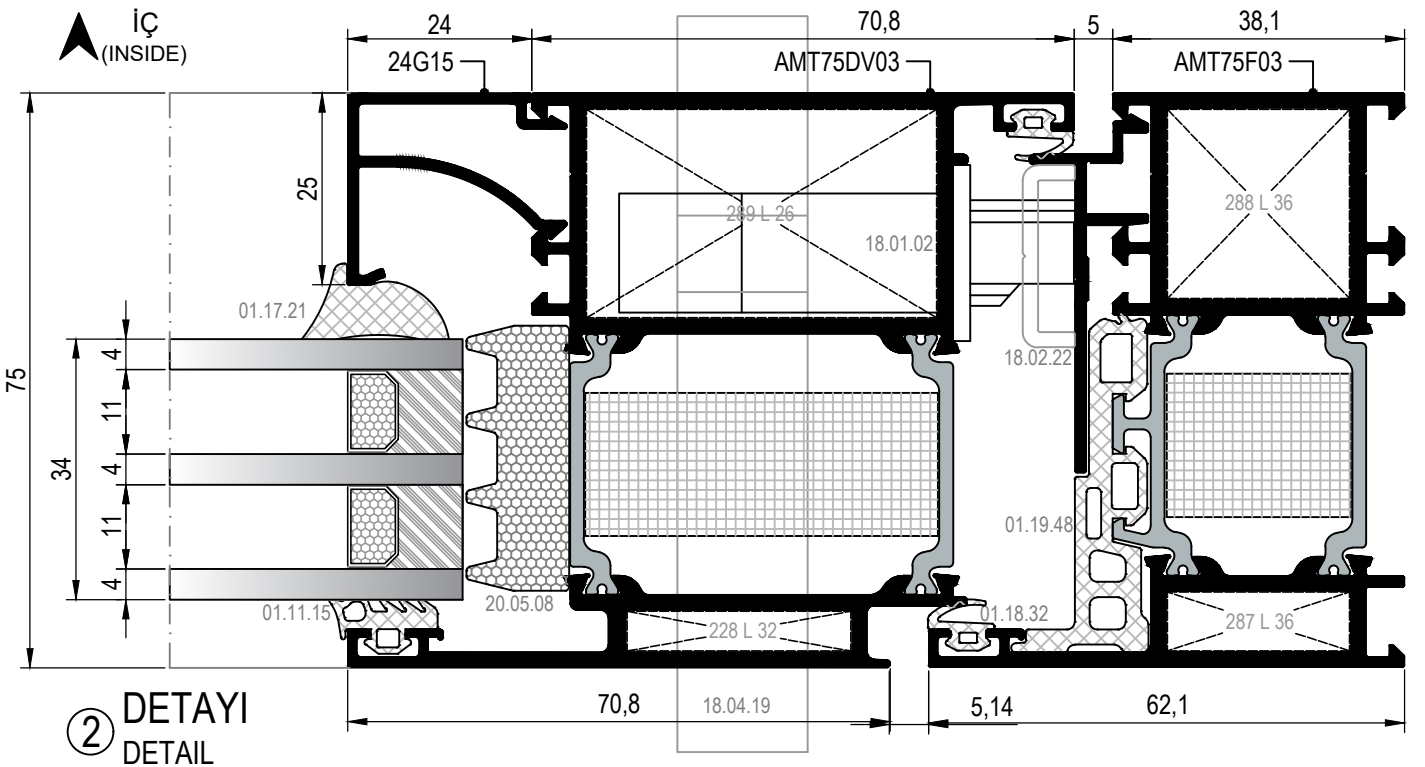
**HEMYÜZ KAPI DETAYLARI**

**FLUSH DOOR DETAILS**

İÇE AÇILIM HEMYÜZ KAPI DETAYLARI  
INWARD OPENING FLUSH DOOR DETAILS

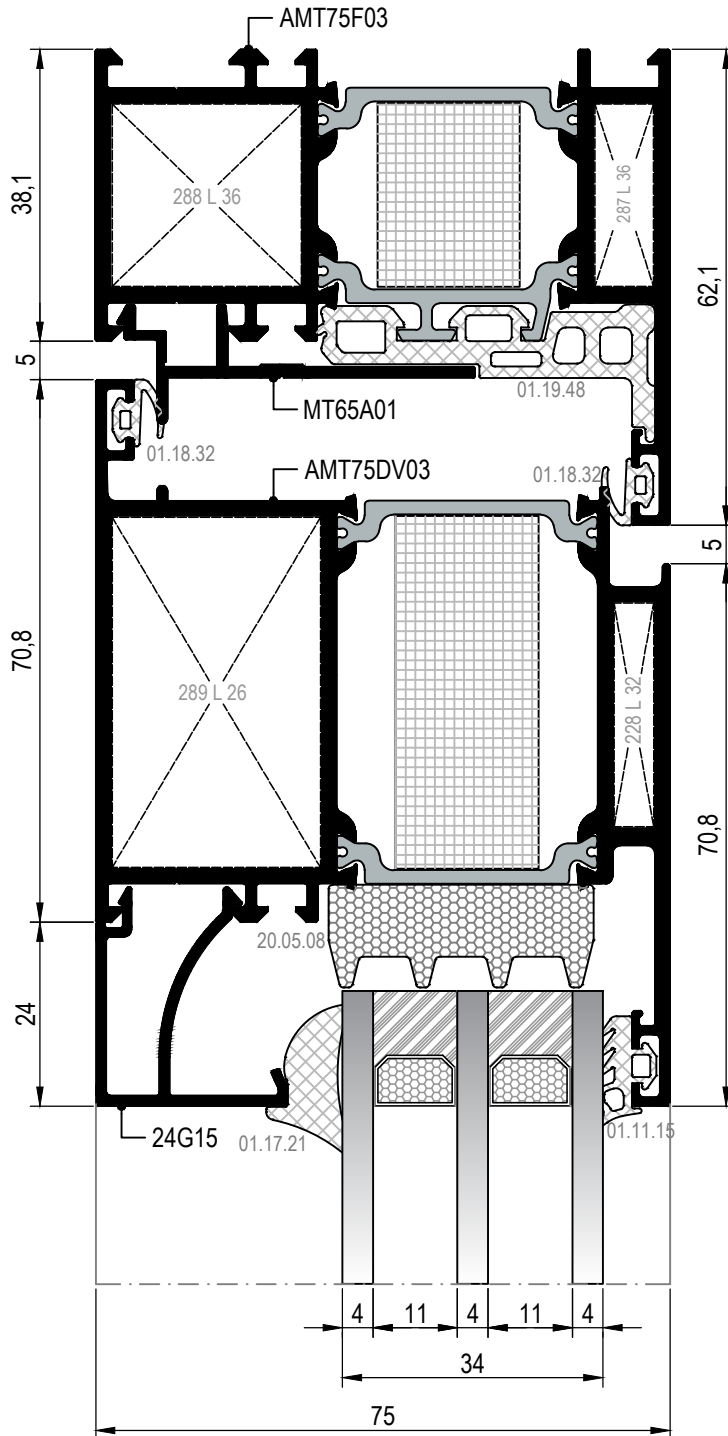
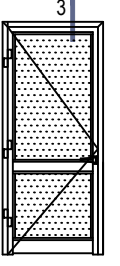


① DETAYI  
DETAIL



② DETAYI  
DETAIL

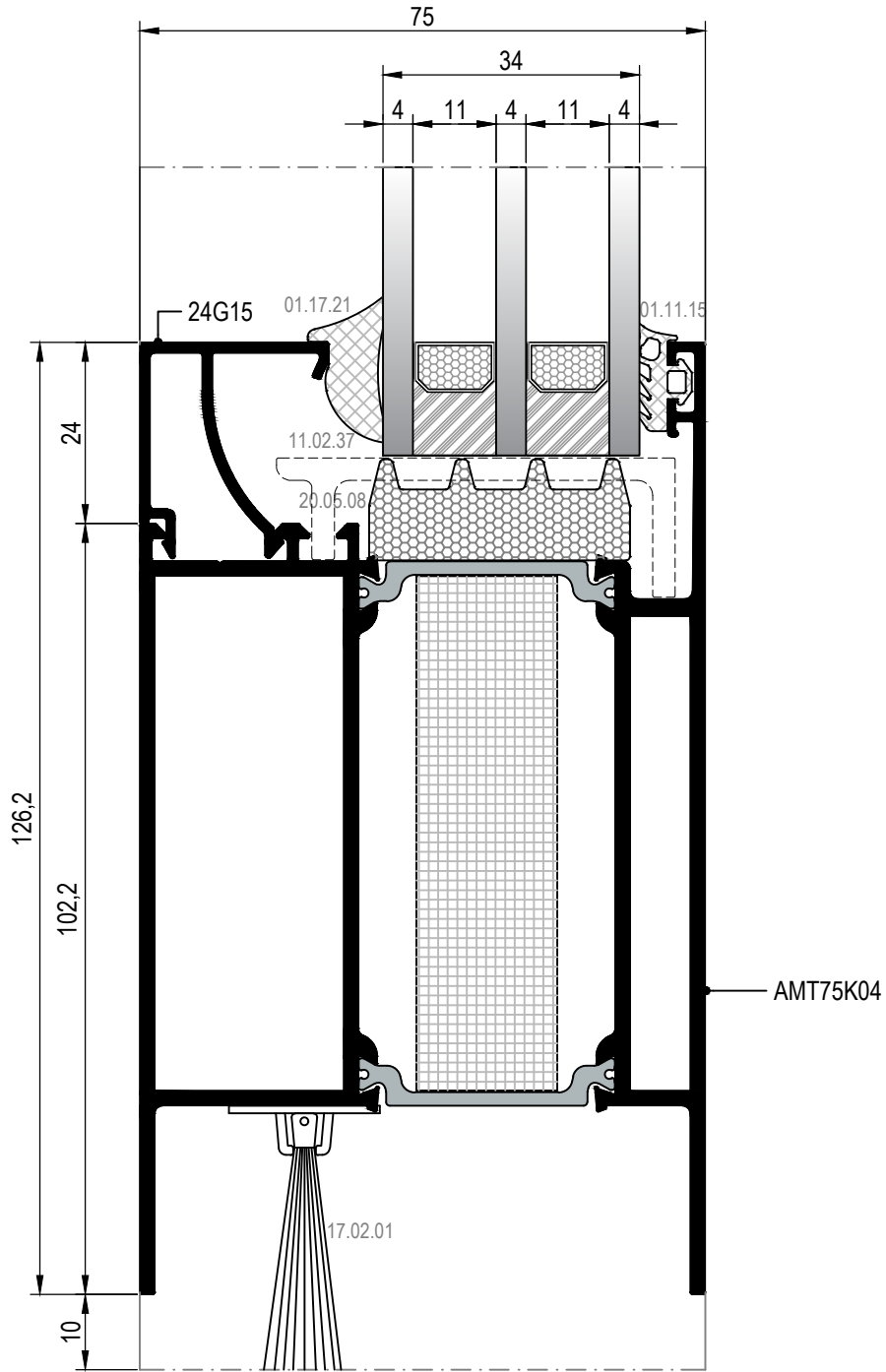
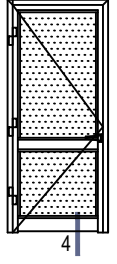
İÇE AÇILIM HEMYÜZ KAPI DETAYLARI  
INWARD OPENING FLUSH DOOR DETAILS



③ DETAYI  
DETAIL

DIŞ  
(OUTSIDE) ➔

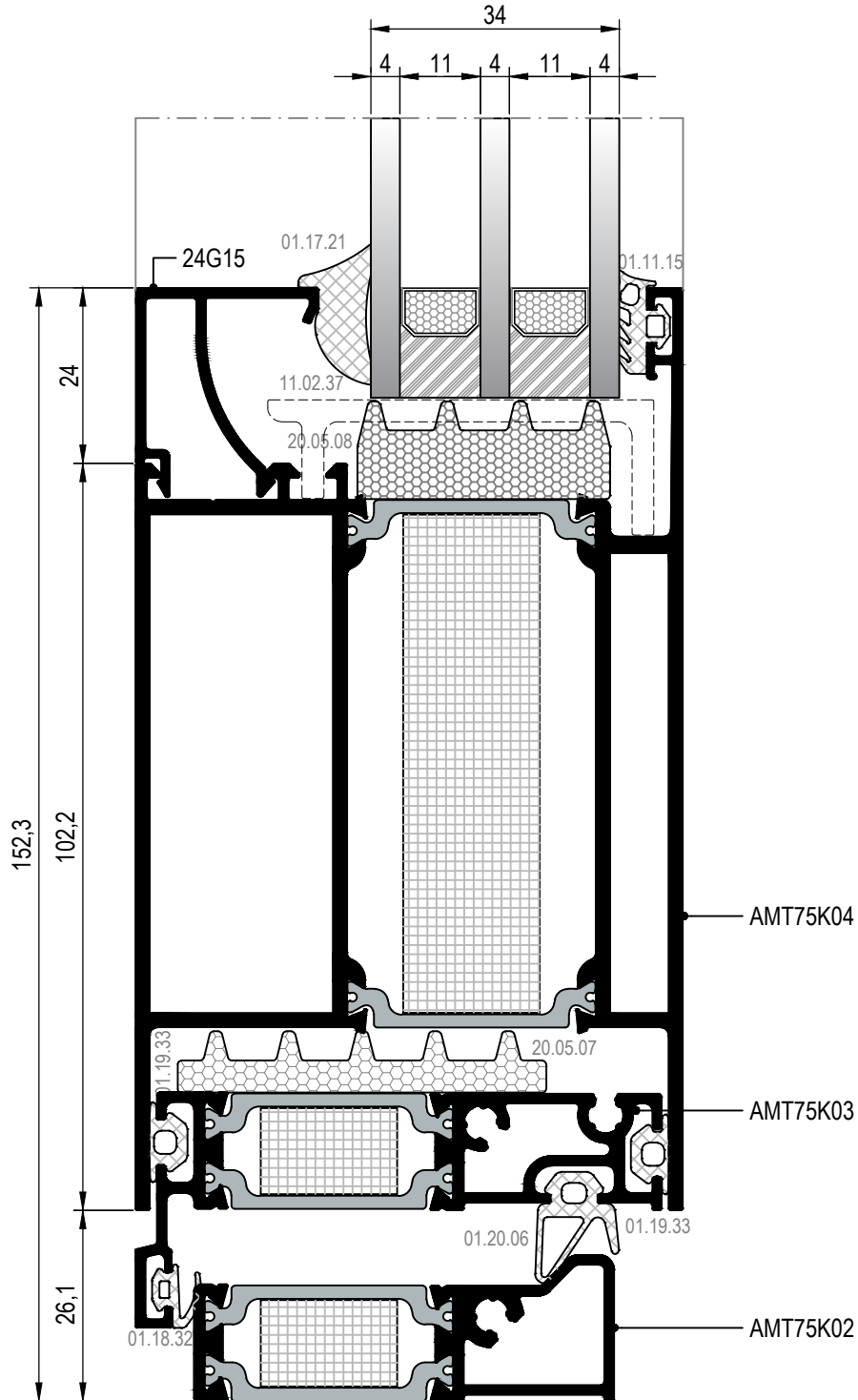
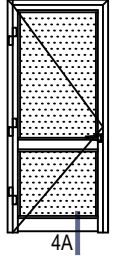
İÇE AÇILIM HEMYÜZ KAPI DETAYLARI  
INWARD OPENING FLUSH DOOR DETAILS



④ DETAYI  
DETAIL

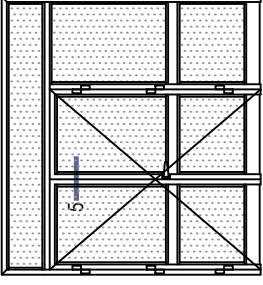
DIŞ  
(OUTSIDE) ➔

İÇE AÇILIM HEMYÜZ KAPI DETAYLARI  
INWARD OPENING FLUSH DOOR DETAILS

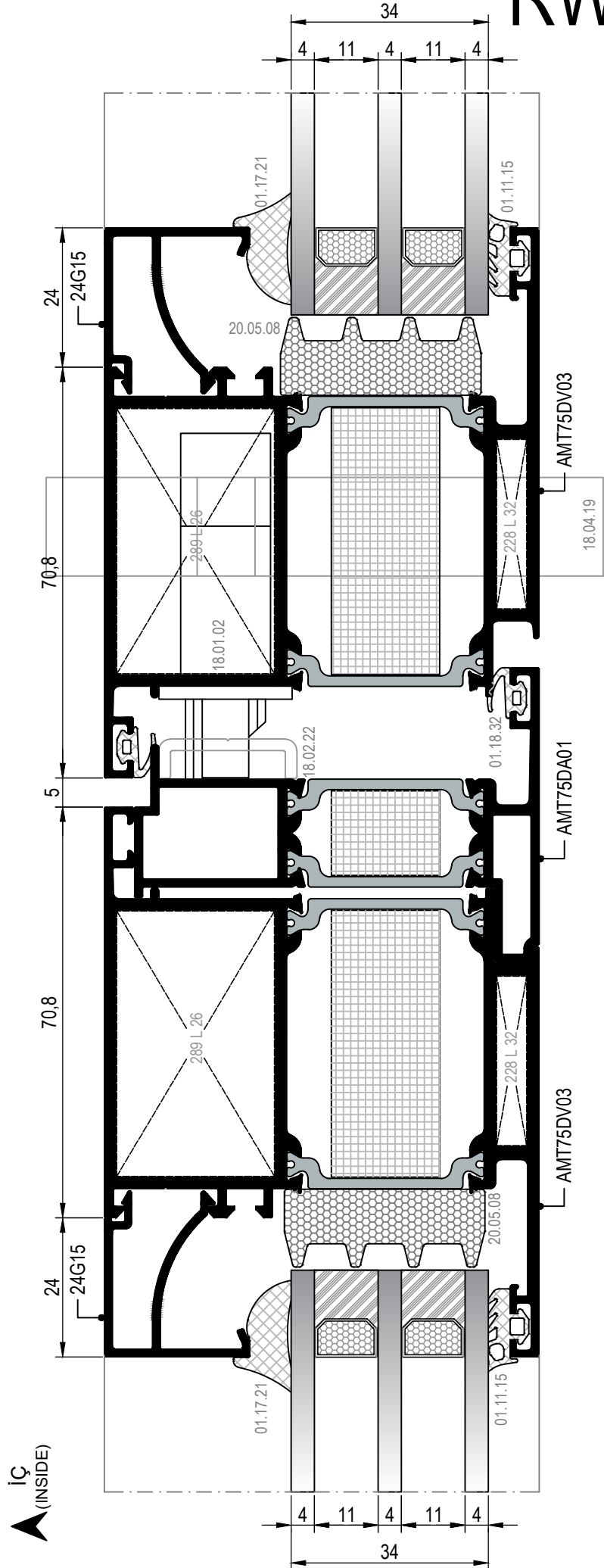


4A DETAYI  
DETAIL

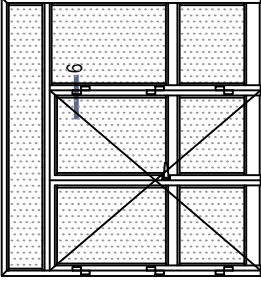
DIŞ  
(OUTSIDE) ➔



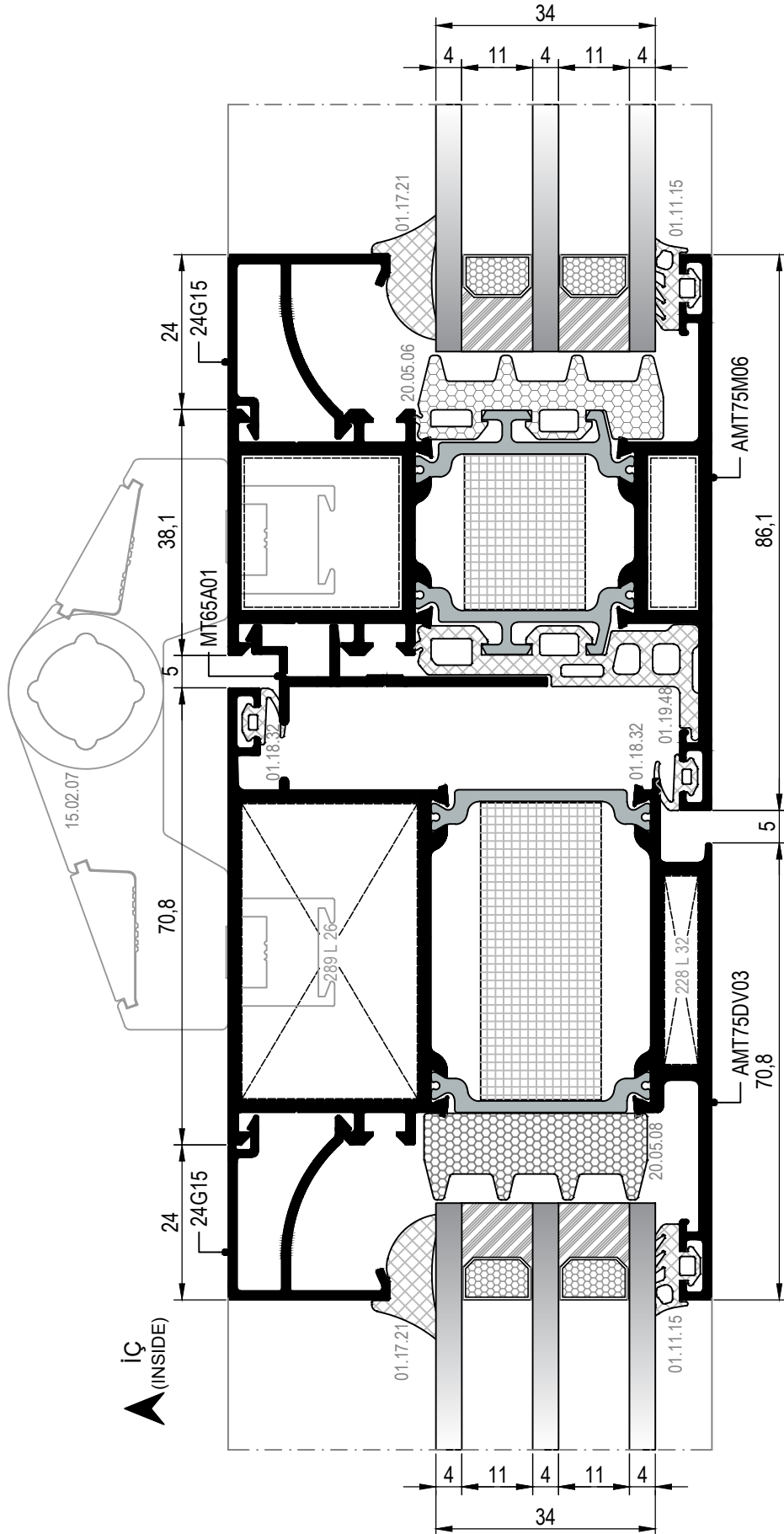
İÇE AÇILIM HEMYÜZ KAPI DETAYLARI  
INWARD OPENING FLUSH DOOR DETAILS



5 DETAYI  
DETAIL



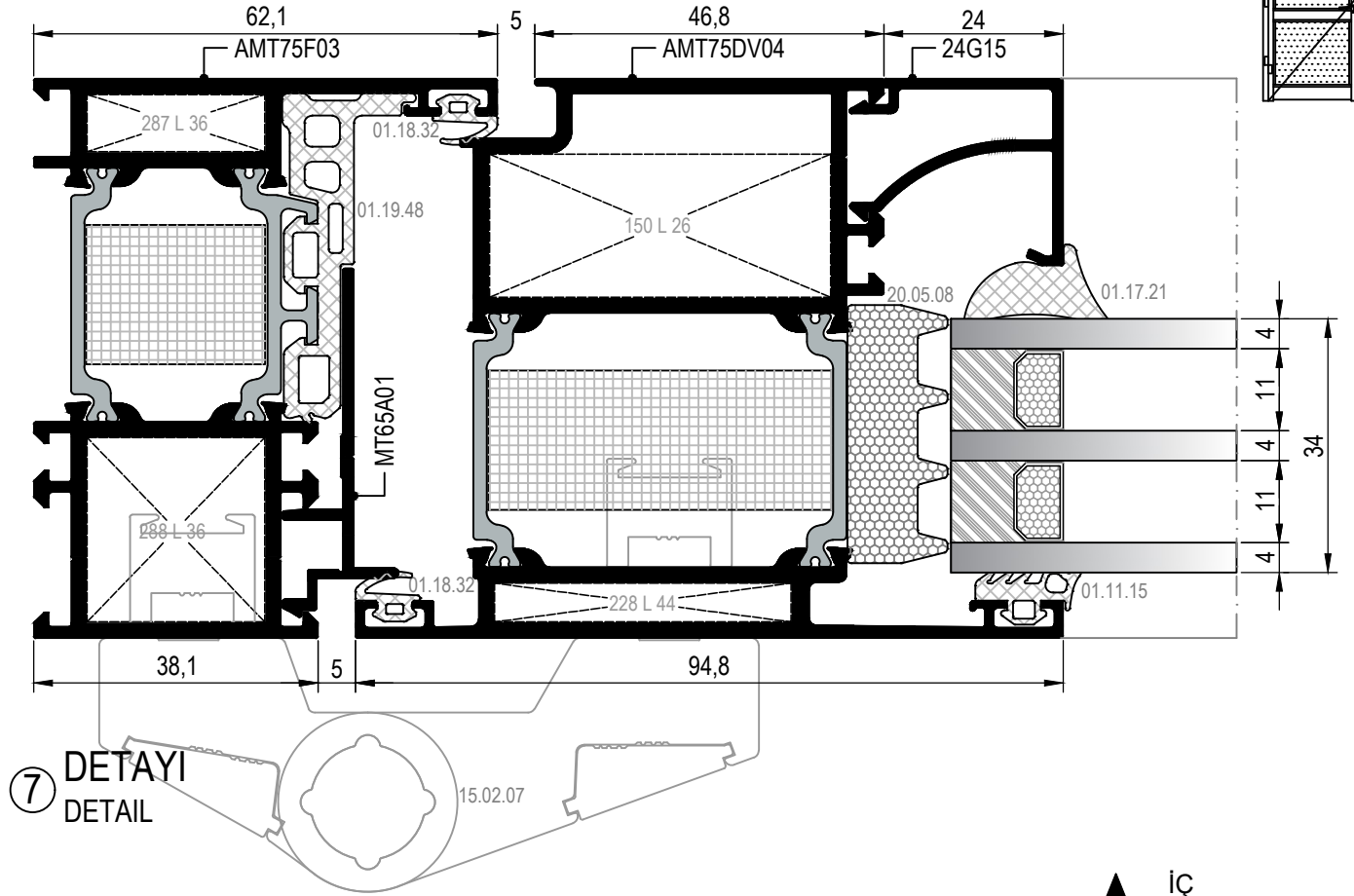
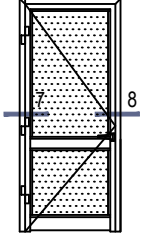
İÇE AÇILIM HEMYÜZ KAPI DETAYLARI  
INWARD OPENING FLUSH DOOR DETAILS



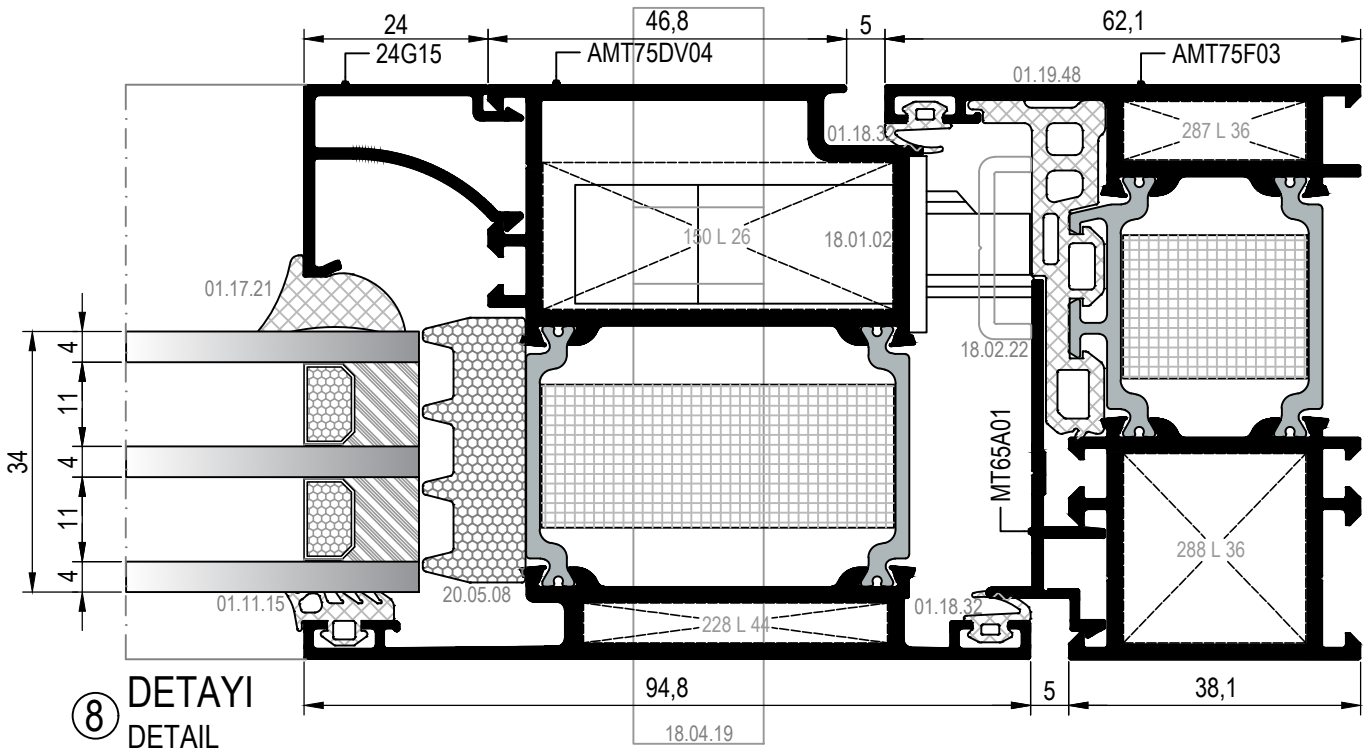
⑥ DETAYI  
DETAIL

DIŞA AÇILIM HEMYÜZ KAPI DETAYLARI  
OUTWARD OPENING FLUSH DOOR DETAILS

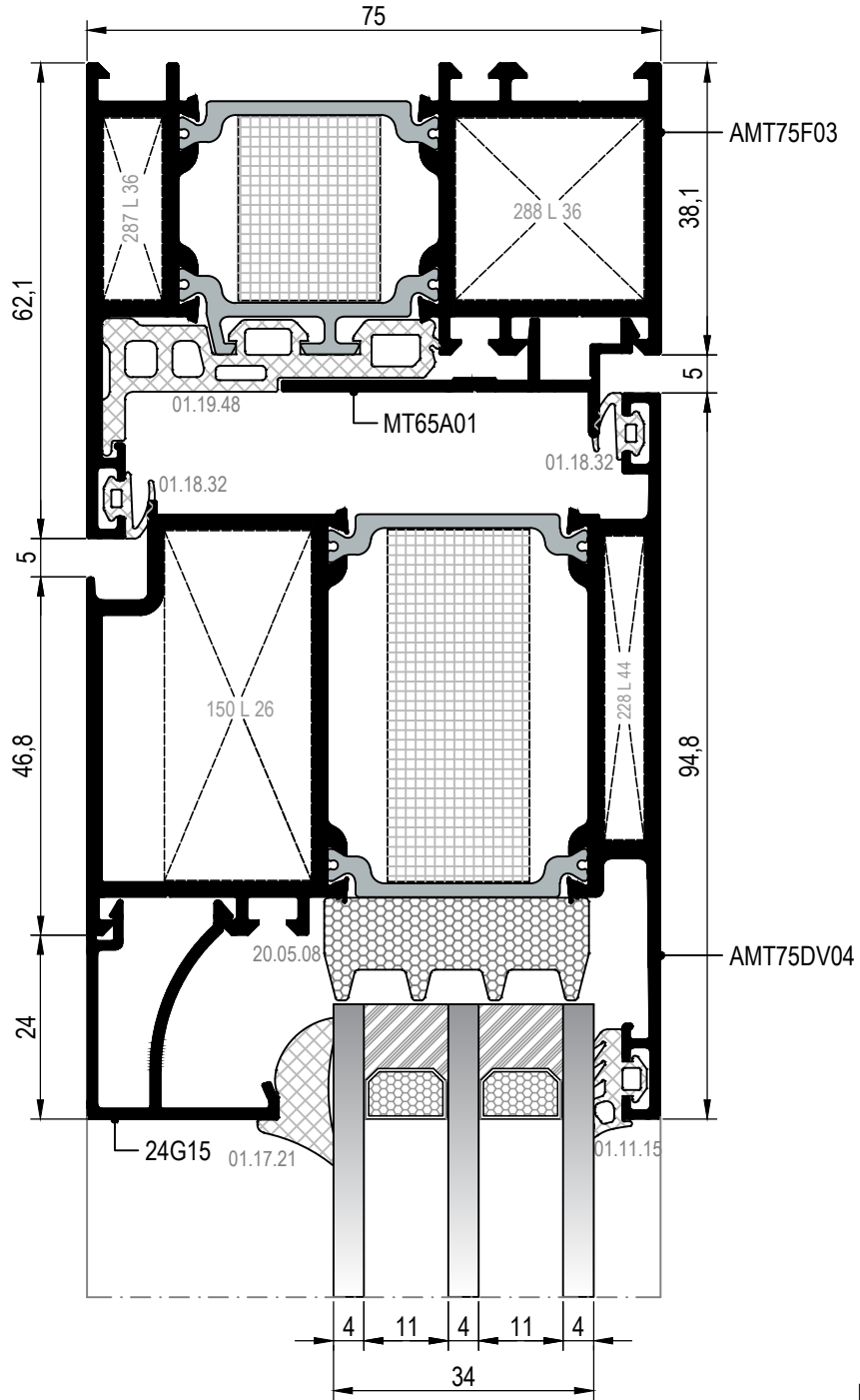
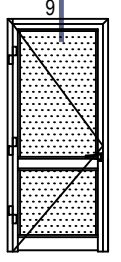
İÇ  
(INSIDE)



İÇ  
(INSIDE)



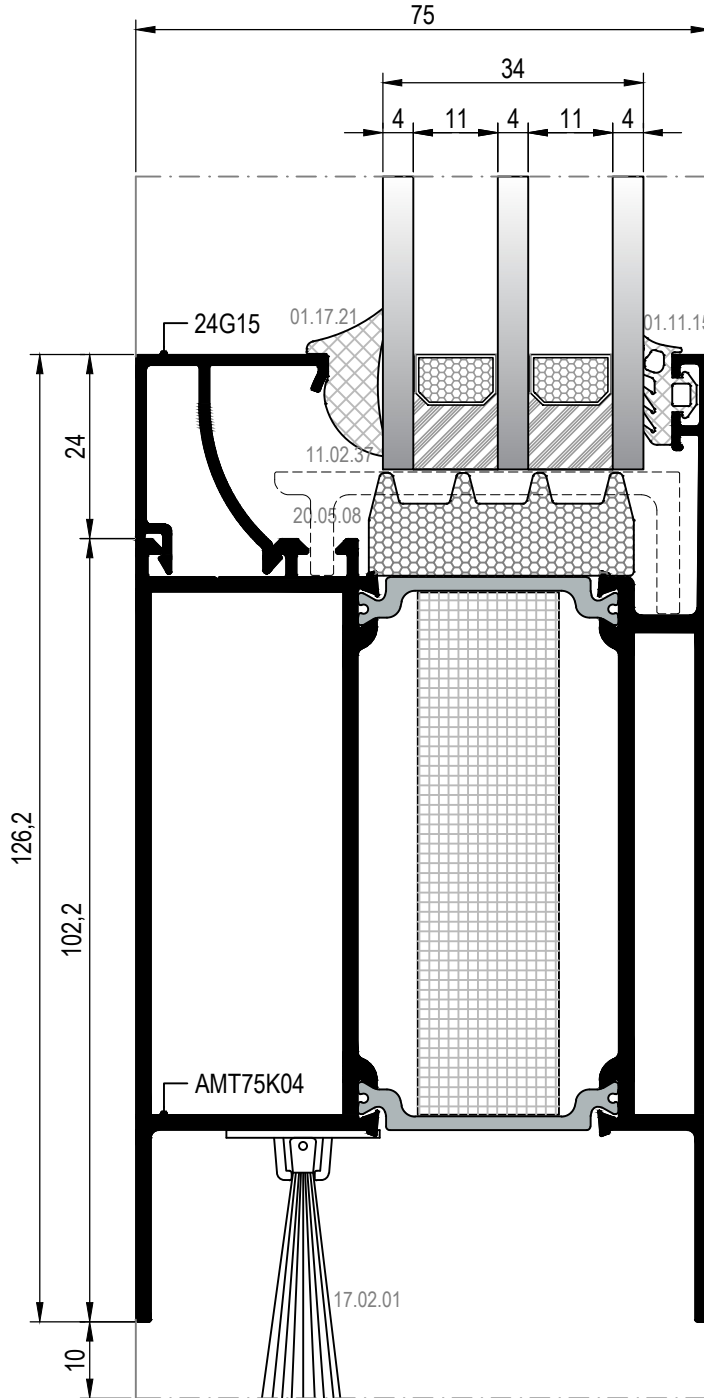
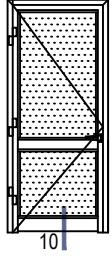
DIŐA AÇILIM HEMYÜZ KAPI DETAYLARI  
OUTWARD OPENING FLUSH DOOR DETAILS



⑨ DETAYI  
DETAIL

DIŐ  
(OUTSIDE) ➔

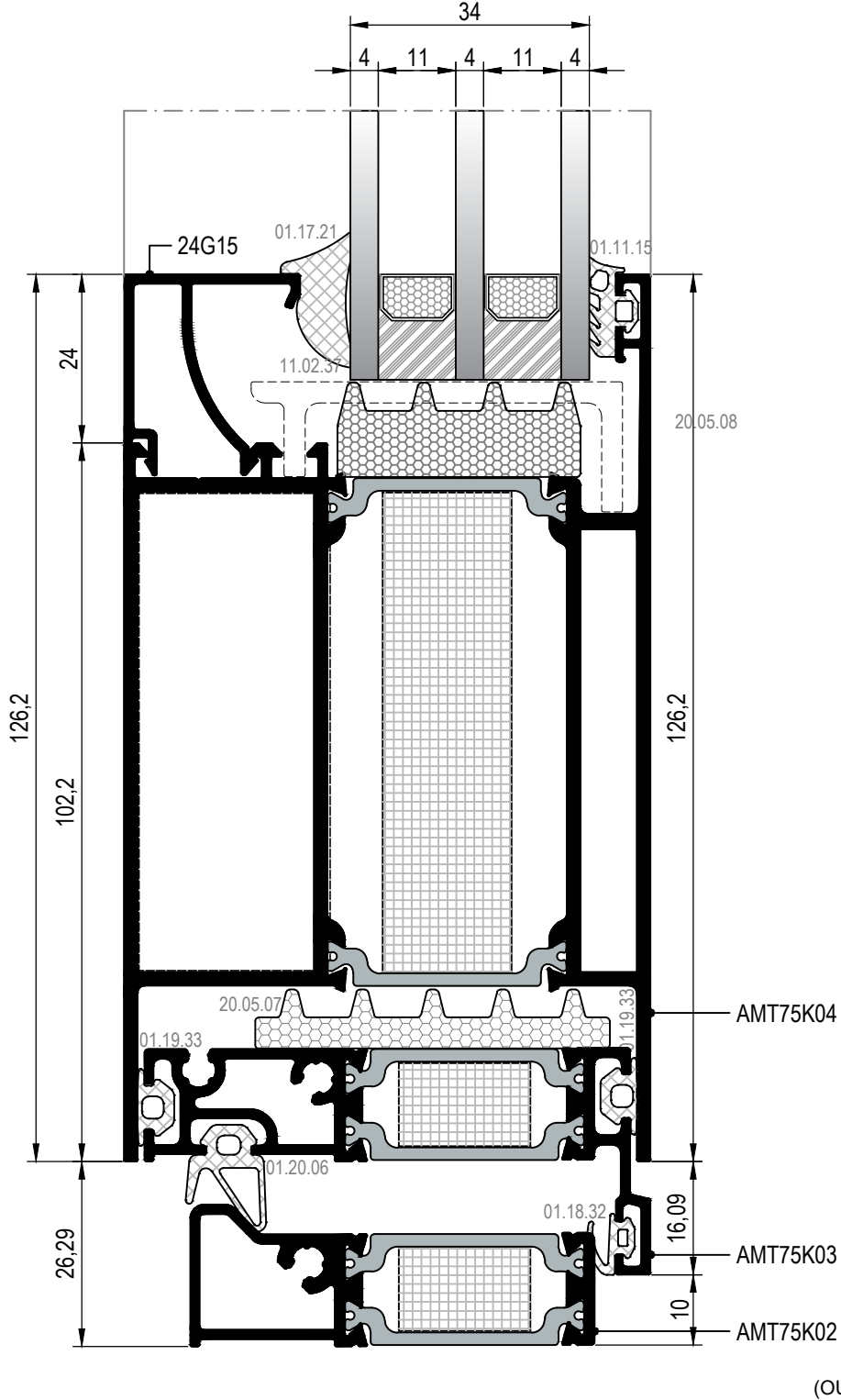
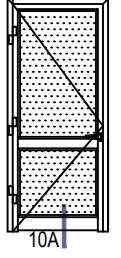
DIŐA AÇILIM HEMYÜZ KAPI DETAYLARI  
OUTWARD OPENING FLUSH DOOR DETAILS



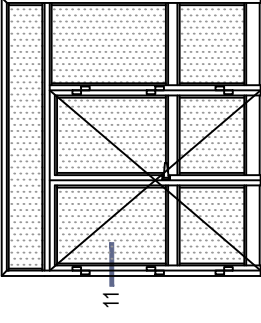
⑩ DETAYI  
DETAIL

DIŐ (OUTSIDE) ➔

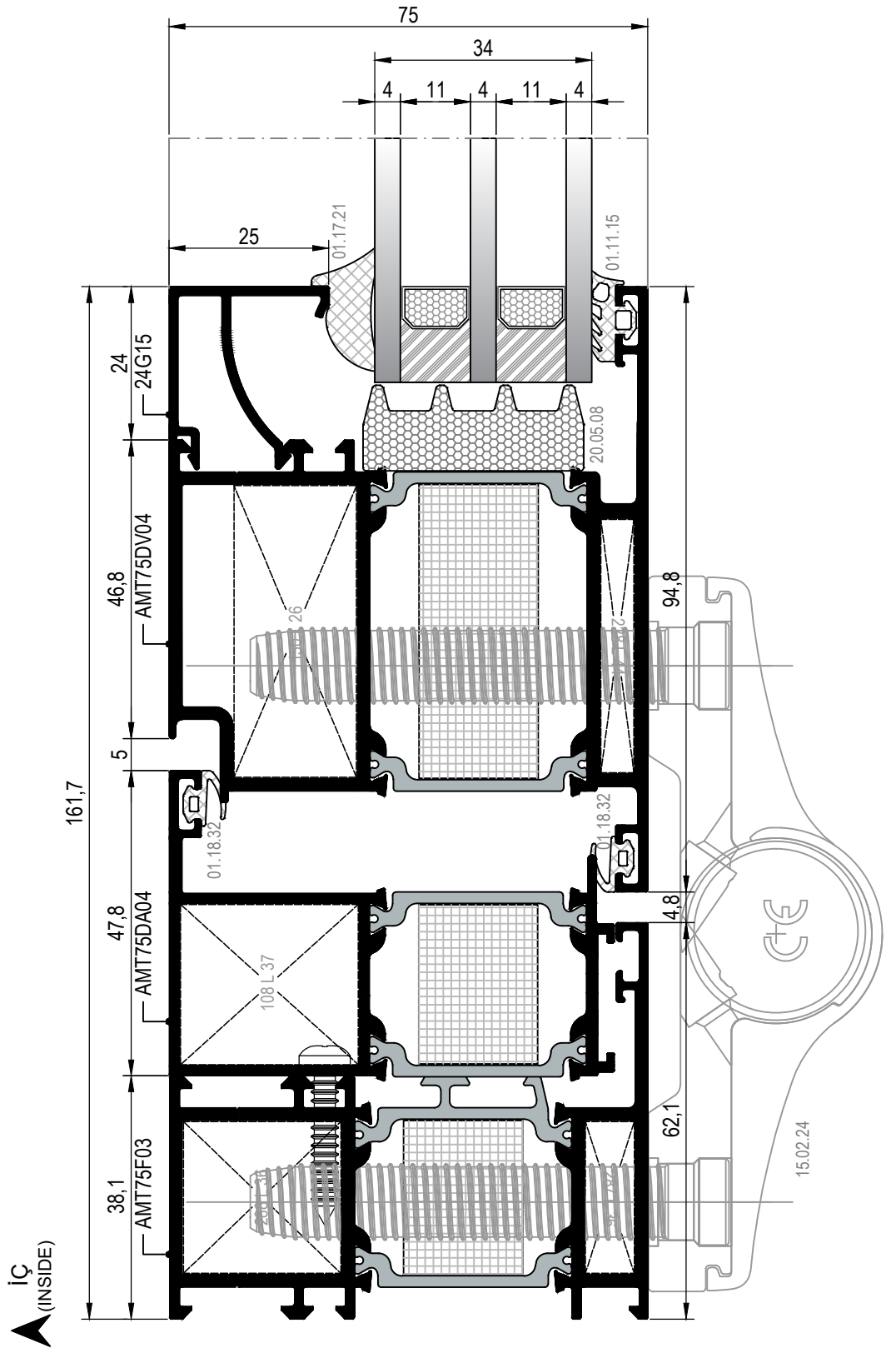
DIŐA AÇILIM HEMYÜZ KAPI DETAYLARI  
OUTWARD OPENING FLUSH DOOR DETAILS



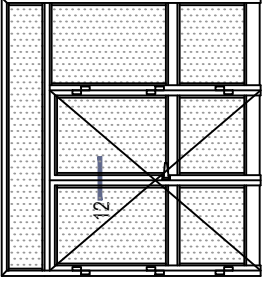
10A DETAYI  
DETAIL



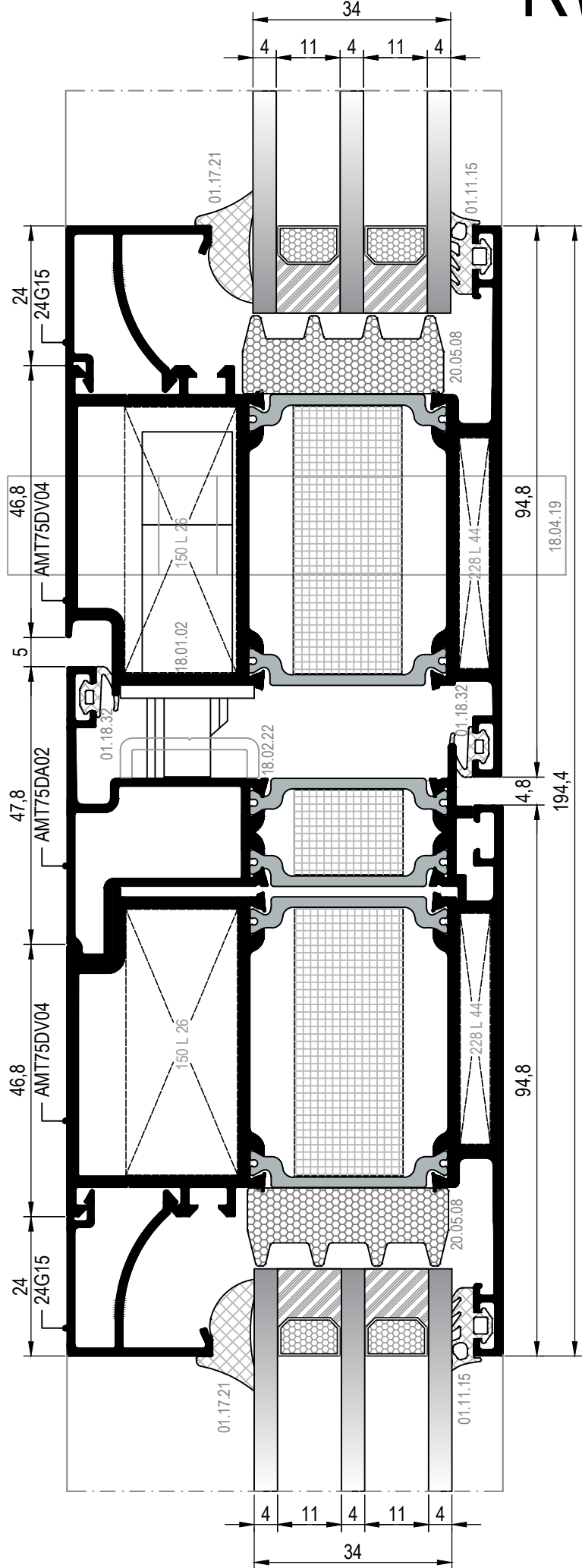
DIŞA AÇILIM ADAPTÖRLÜ HEMYÜZ KAPI DETAYLARI  
OUTWARD OPENING FLUSH DOOR DETAILS



11 DETAYI  
DETAIL



DIŐA AÇILIM ADAPTÖRLÜ HEMİYÜZ KAPI DETAYLARI  
OUTWARD OPENING FLUSH DOOR DETAILS

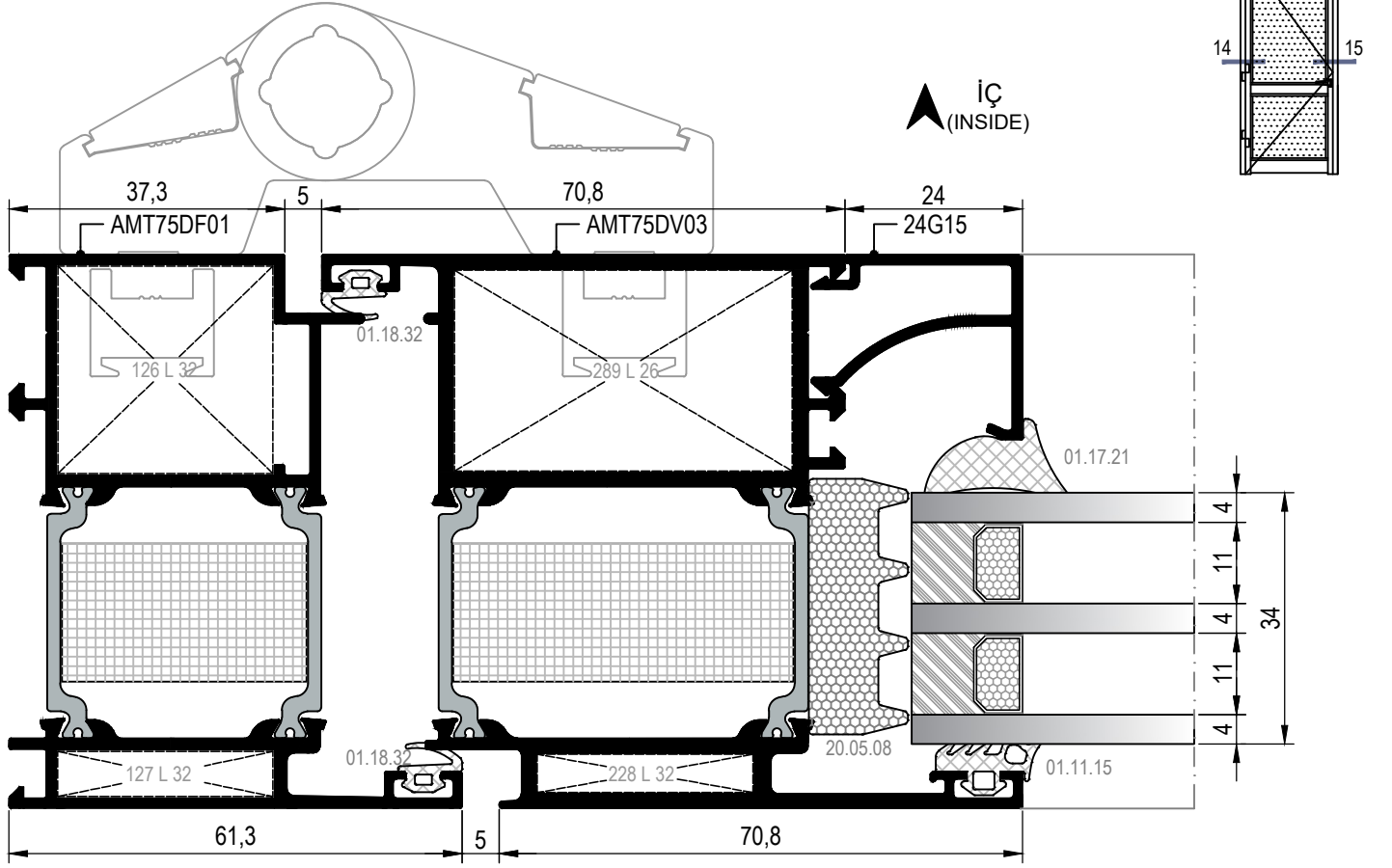


İÇ  
(INSIDE)

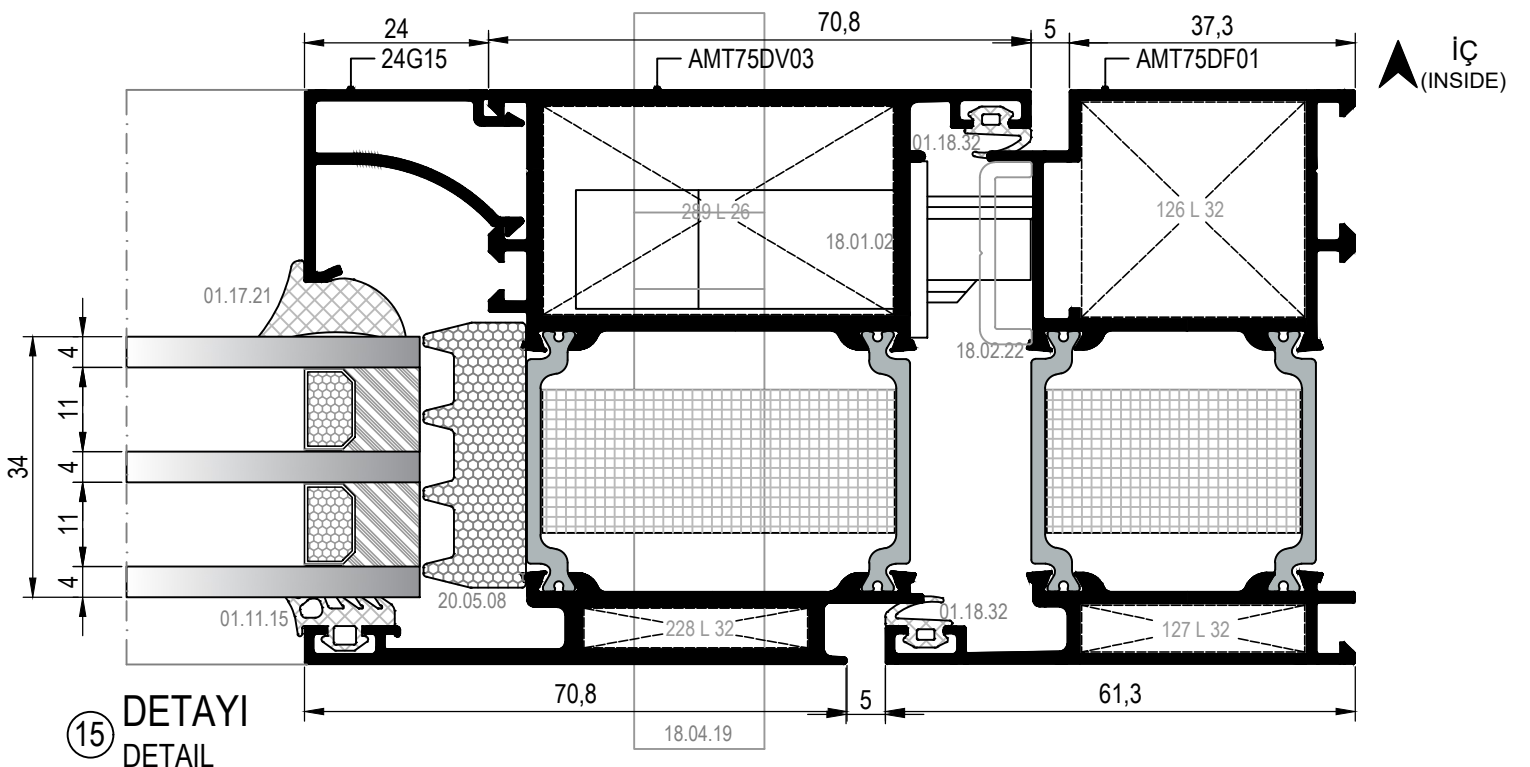
12 DETAYI  
DETAIL



İÇE AÇILIM HEMYÜZ KAPI DETAYLARI  
INWARD OPENING FLUSH DOOR DETAILS



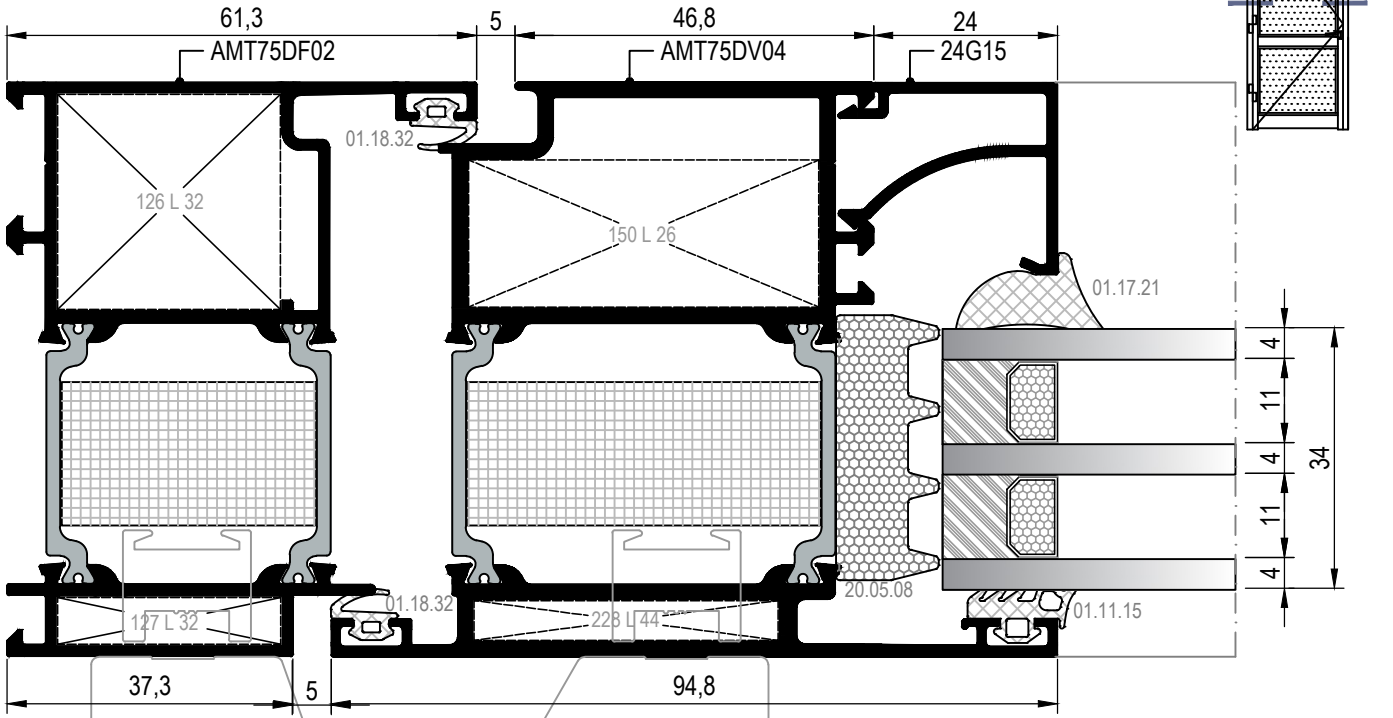
14 DETAYI  
DETAIL



15 DETAYI  
DETAIL

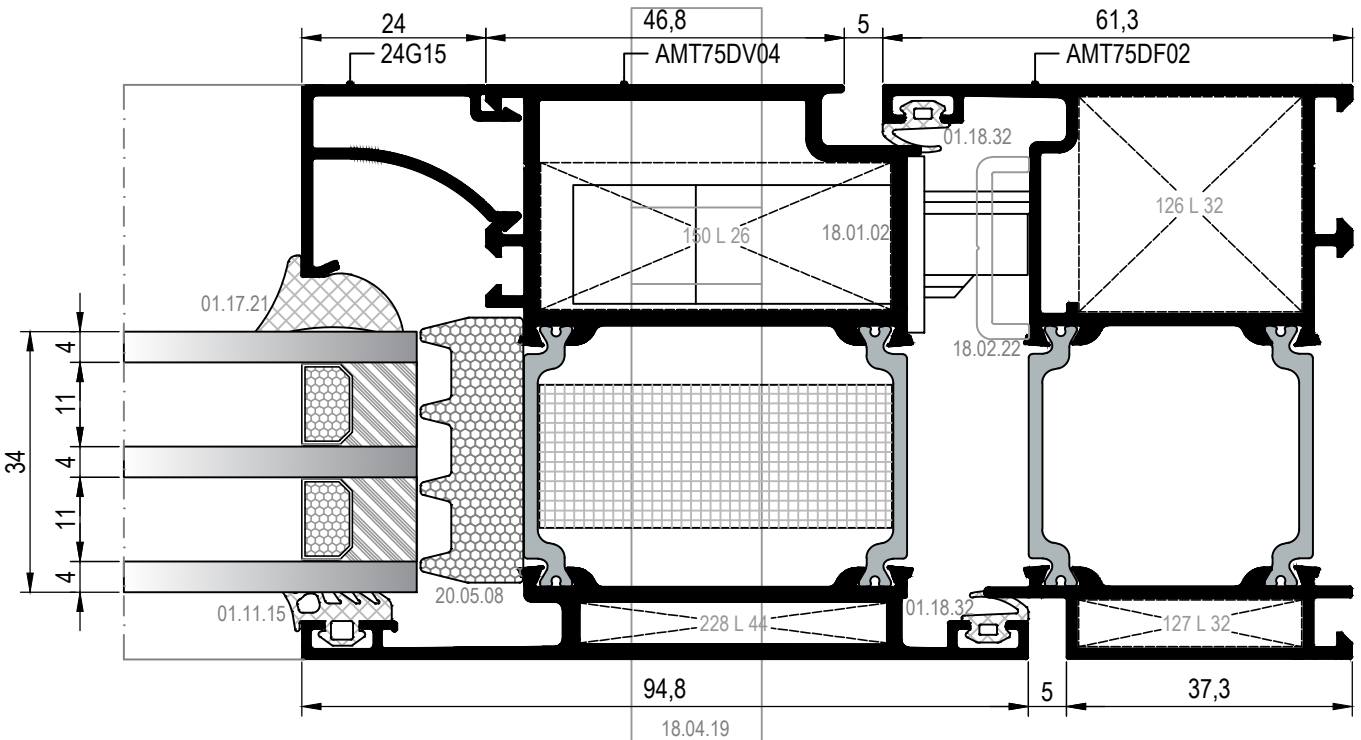
DİŐA AÇILIM HEMYÜZ KAPI DETAYLARI  
OUTWARD OPENING FLUSH DOOR DETAILS

İÇ  
(INSIDE)



16 DETAYI  
DETAIL

İÇ  
(INSIDE)



17 DETAYI  
DETAIL

**MİMARİ KATALOG**  
ARCHITECTURAL CATALOGUE

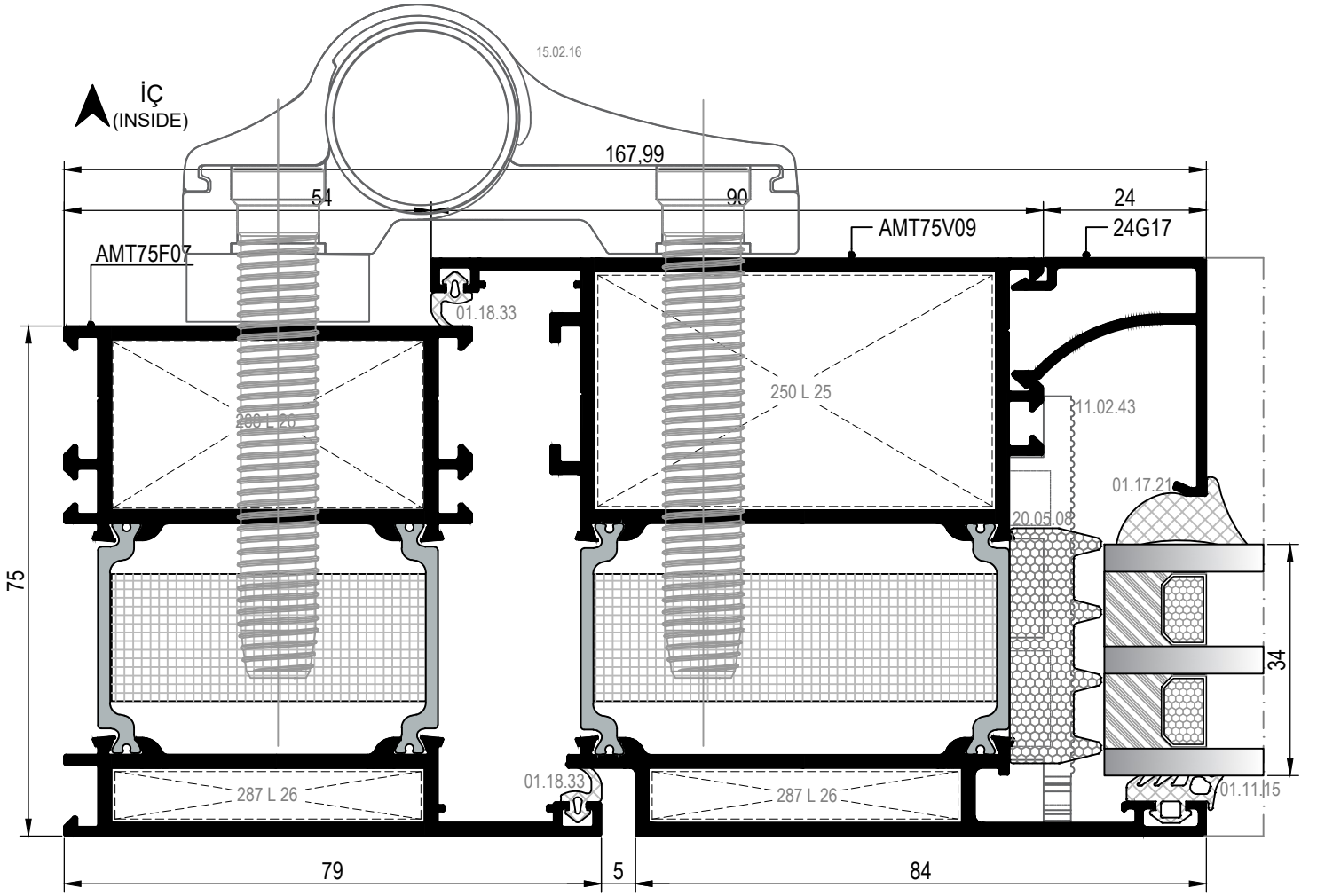
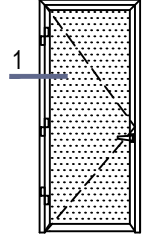
Alüminyum Kapı ve Pencere Sistemleri  
Aluminium Door and Window Systems

# RWT75

**TİJ KANALLI KAPI DETAYLARI**

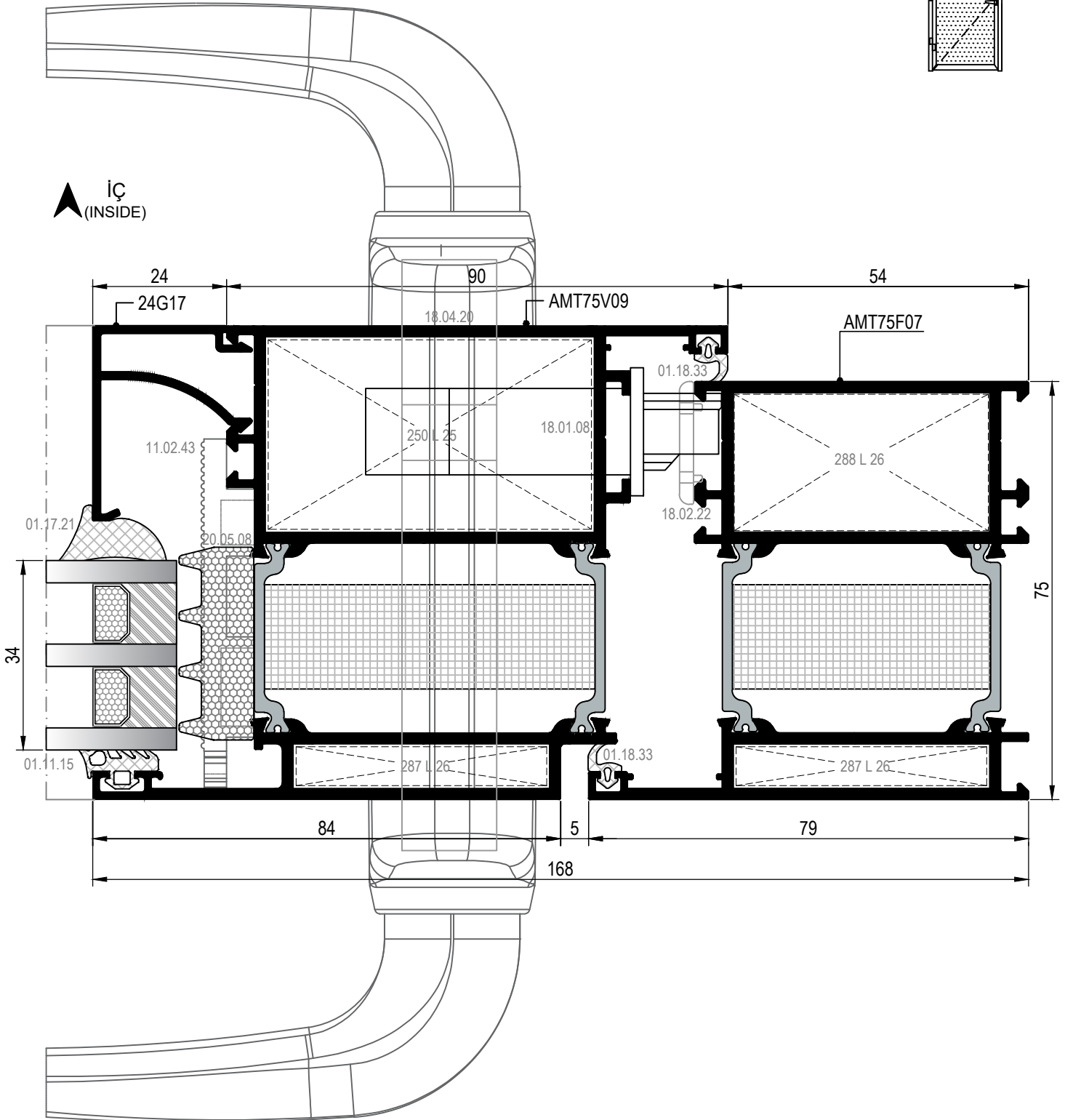
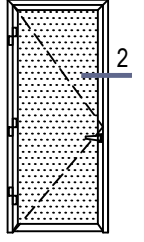
**EURO GROOVE DOOR DETAILS**

İÇE AÇILIM TİJ KANALLI KAPI DETAYLARI  
INWARD OPENING DOOR DETAILS WITH EURO GROOVE



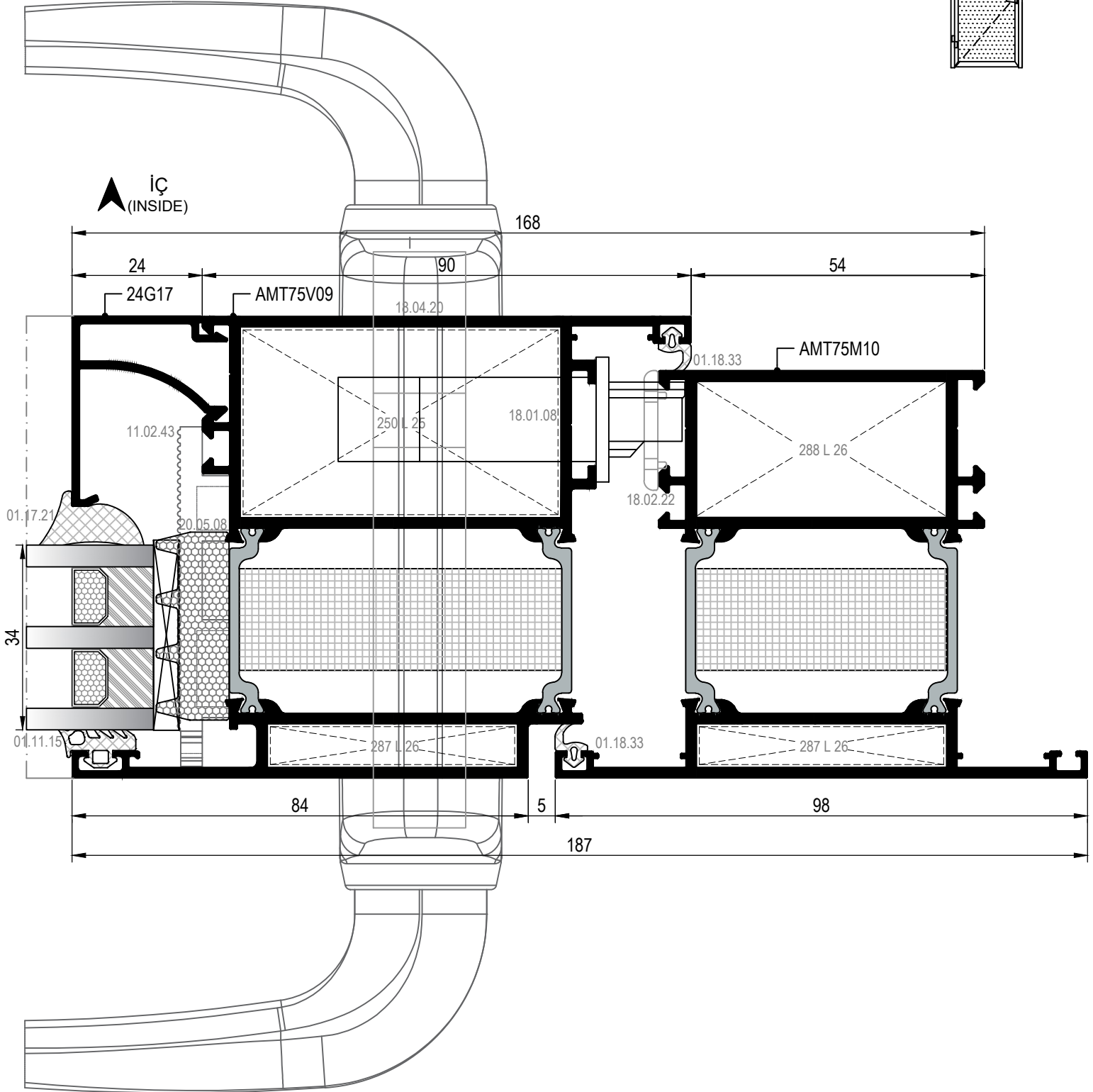
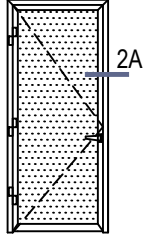
① DETAYI  
DETAIL

İÇE AÇILIM TİJ KANALLI KAPI DETAYLARI  
INWARD OPENING DOOR DETAILS WITH EURO GROOVE

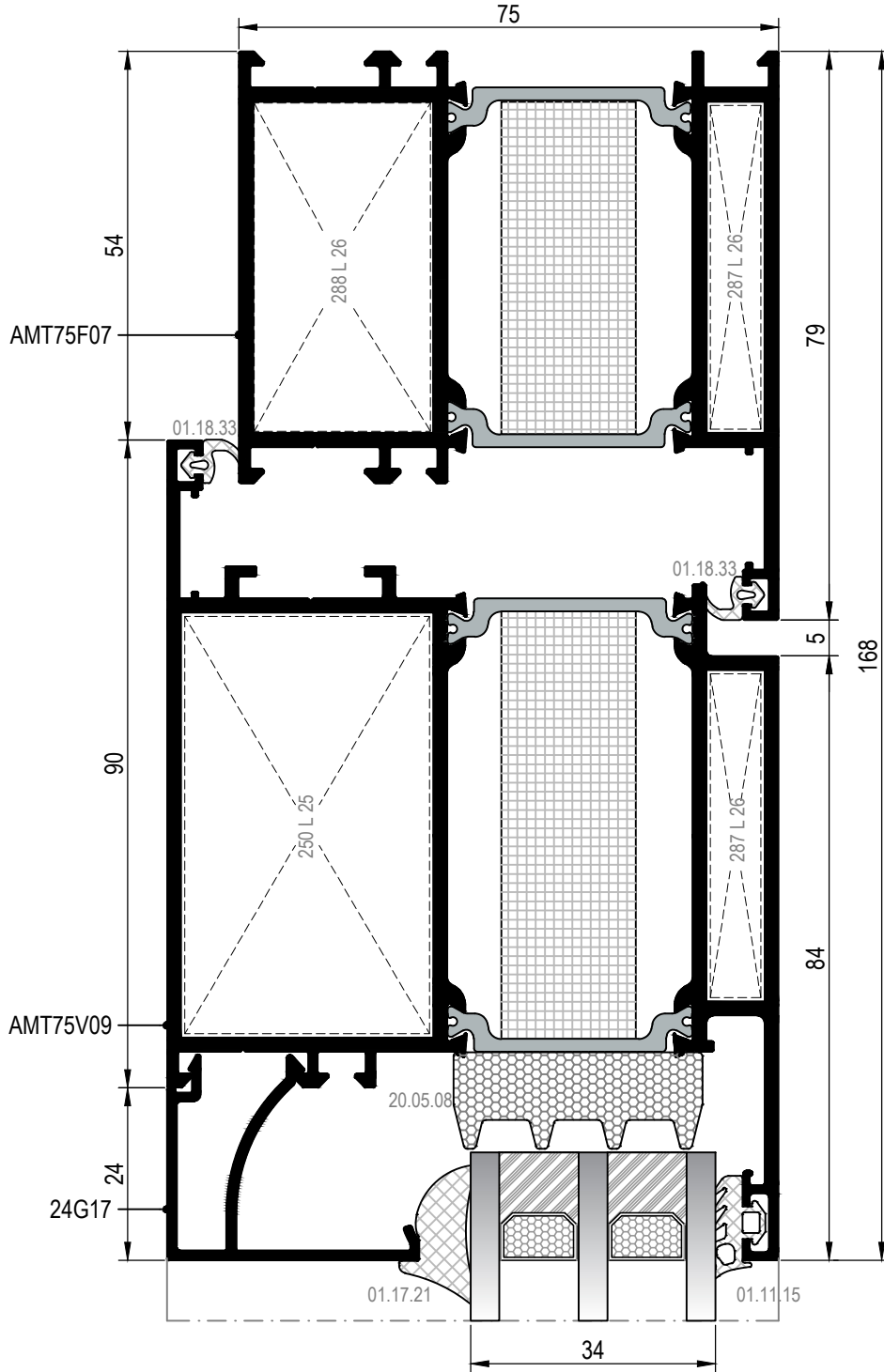
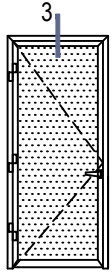


② DETAYI  
DETAIL

İÇE AÇILIM TİJ KANALLI KAPI DETAYLARI  
INWARD OPENING DOOR DETAILS WITH EURO GROOVE



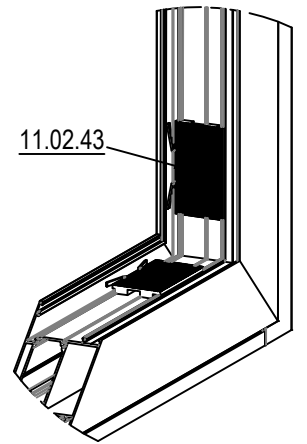
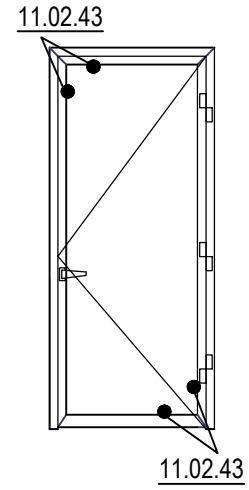
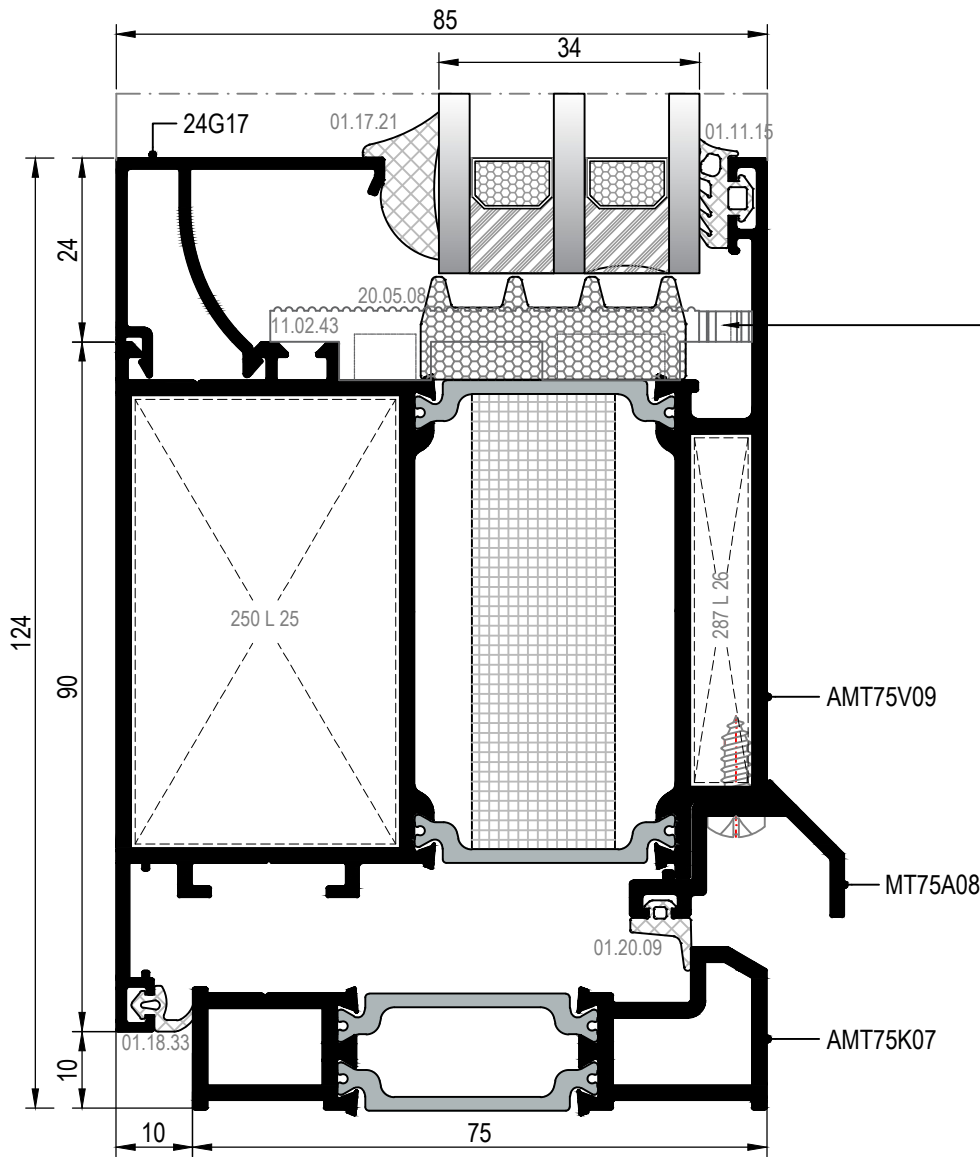
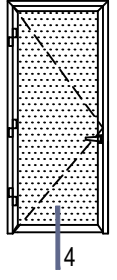
İÇE AÇILIM TİJ KANALLI KAPI DETAYLARI  
INWARD OPENING DOOR DETAILS WITH EURO GROOVE



③ DETAYI  
DETAIL

DIŞ  
(OUTSIDE) ➔

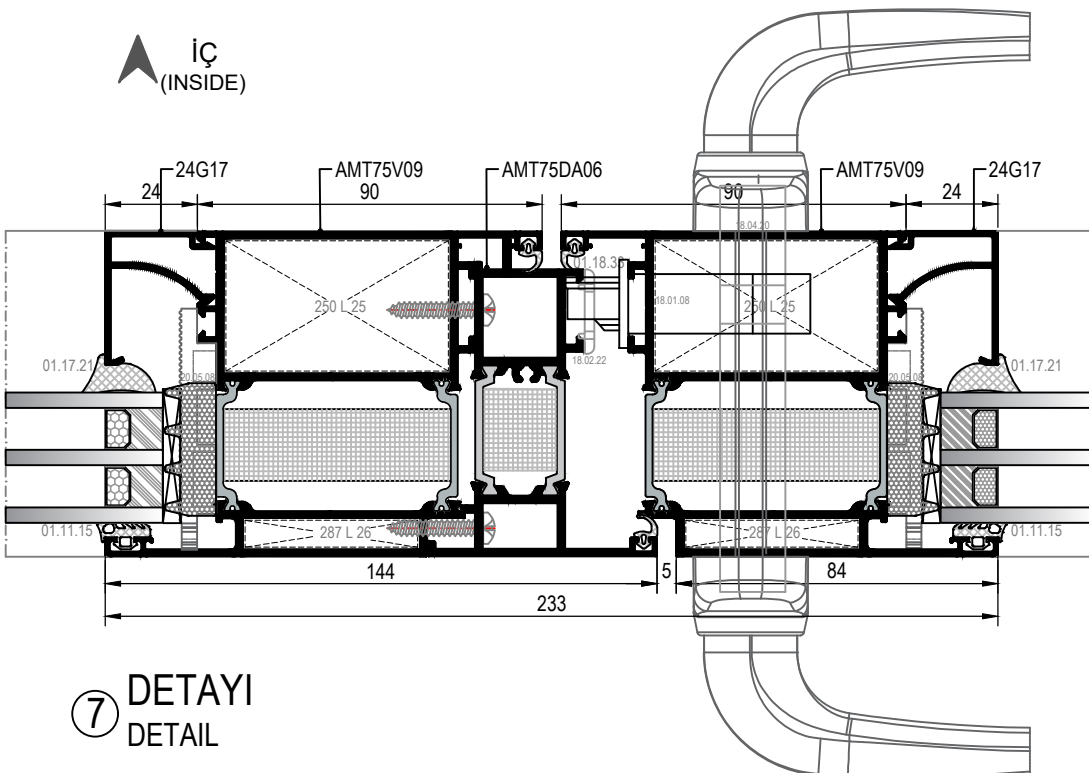
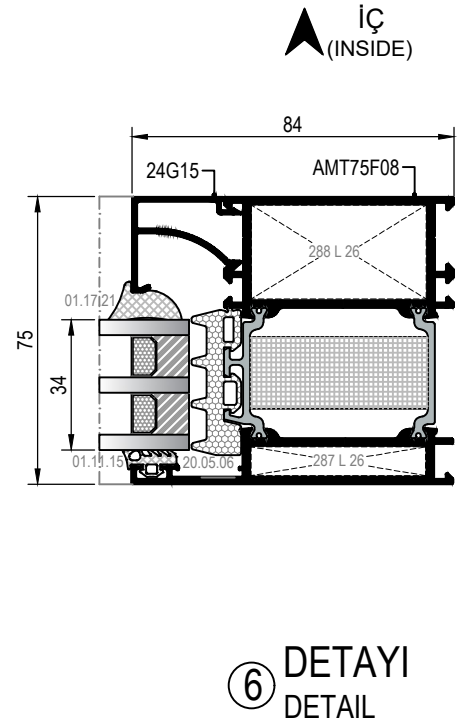
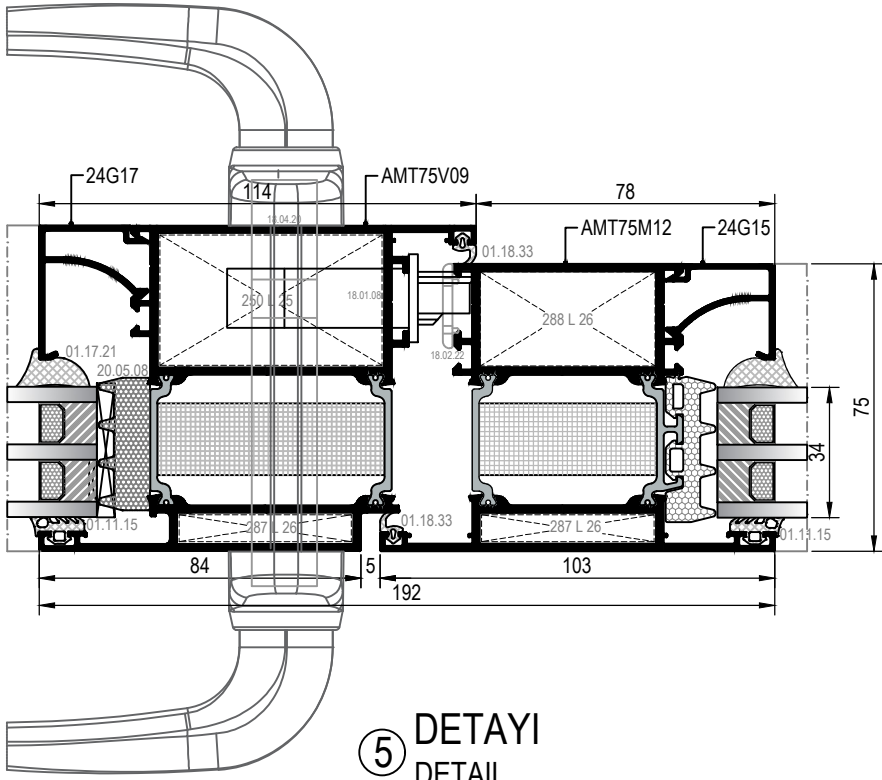
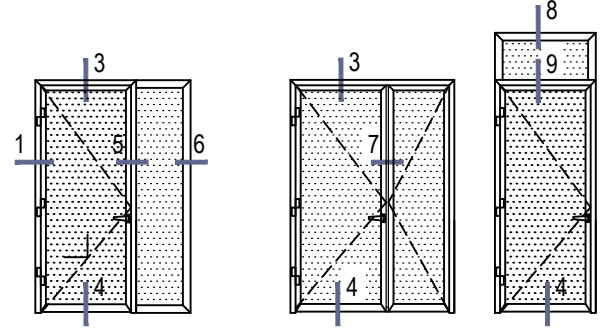
İÇE AÇILIM TİJ KANALLI KAPI DETAYLARI  
INWARD OPENING DOOR DETAILS WITH EURO GROOVE



④ DETAYI  
DETAIL

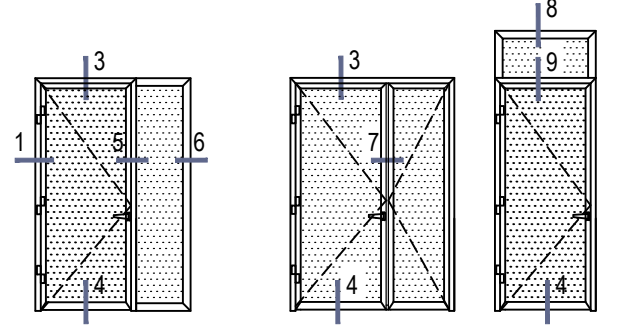
DIŞ  
(OUTSIDE) ➔

İÇE AÇILIM TİJ KANALLI KAPI DEYAYLARI  
INWARD OPENING DOOR DETAILS WITH EURO GROOVE

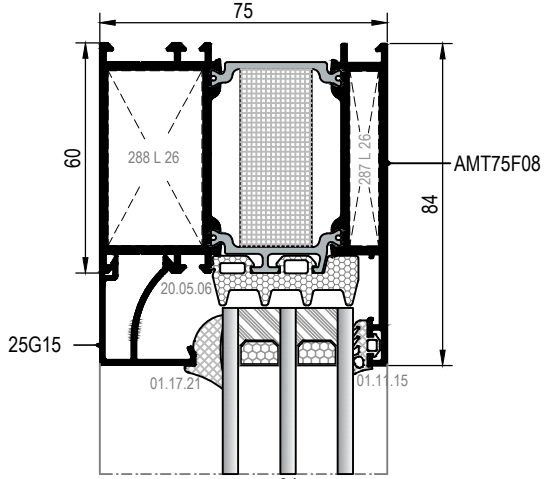


ÖLÇEK/scale: 1/2

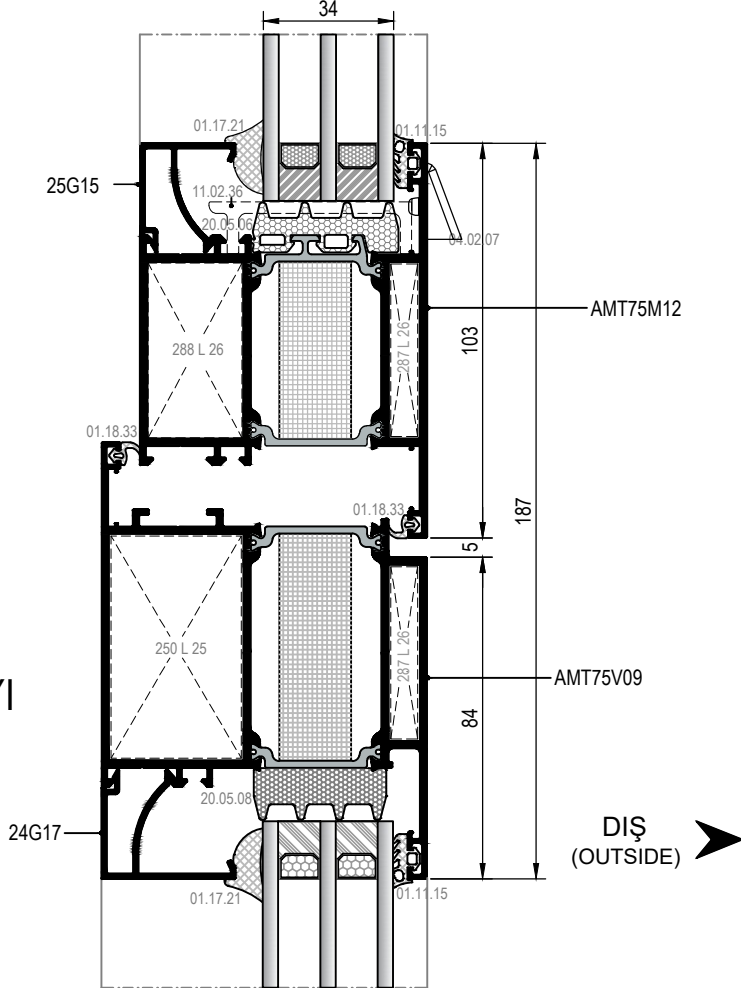
İÇE AÇILIM TİJ KANALLI KAPI DETAYLARI  
INWARD OPENING DOOR DETAILS WITH EURO GROOVE



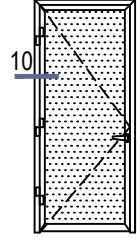
⑧ DETAYI  
DETAIL



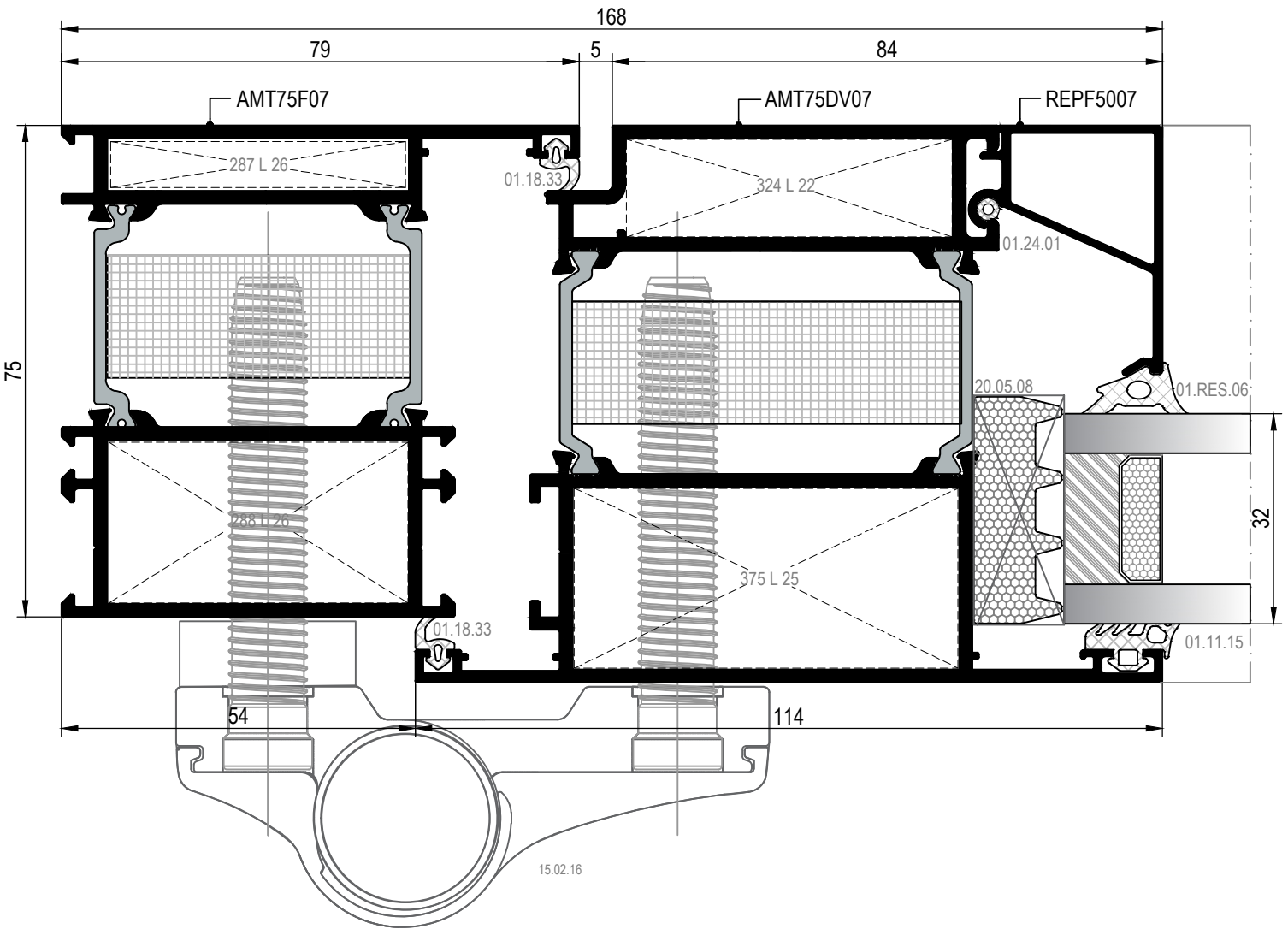
⑨ DETAYI  
DETAIL



DİŐA AÇILIM TİJ KANALLI KAPI DETAYLARI  
OUTWARD OPENING DOOR DETAILS WITH EURO GROOVE



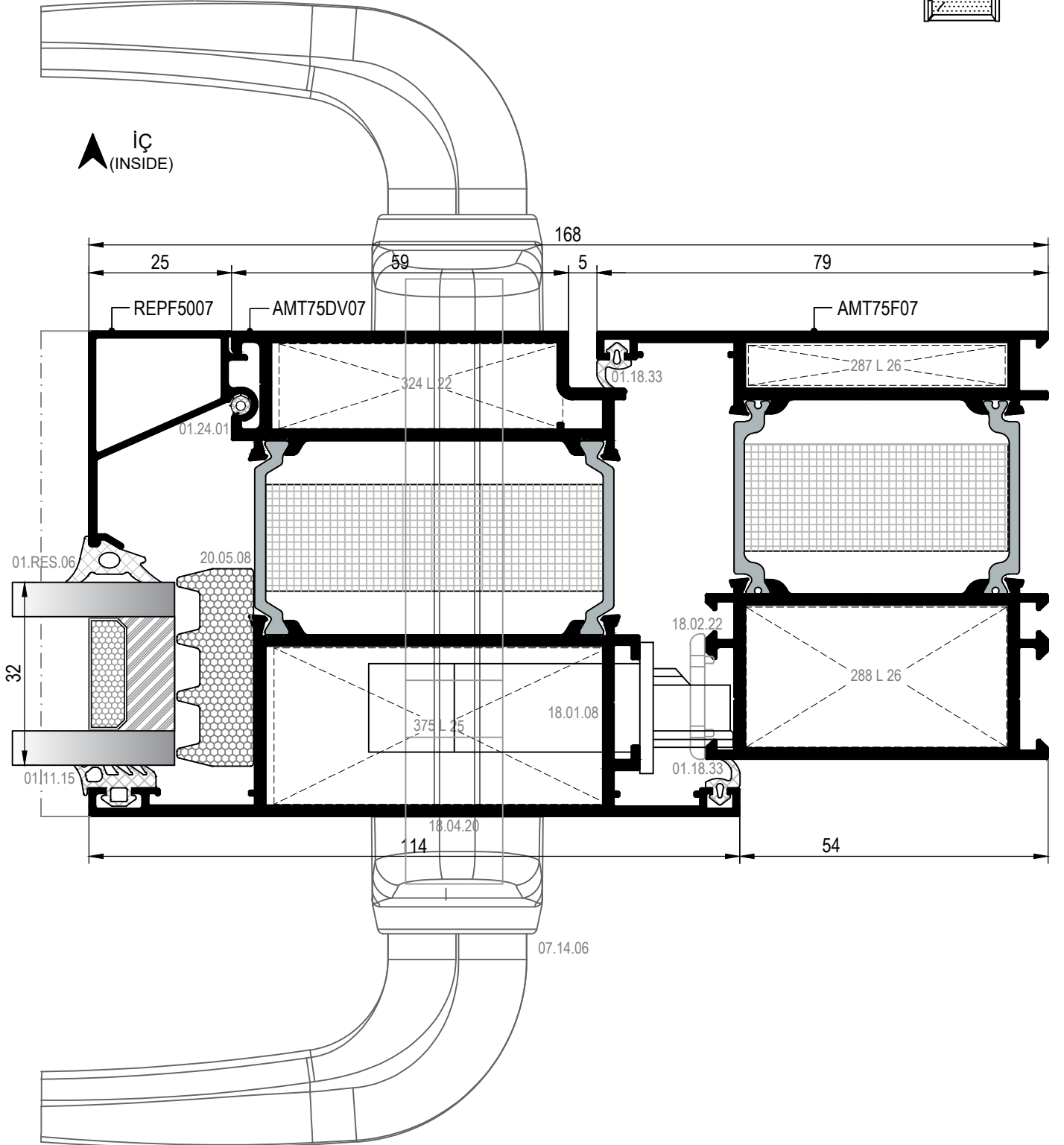
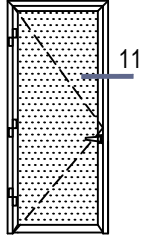
İÇ  
(INSIDE)



10 DETAYI  
DETAIL

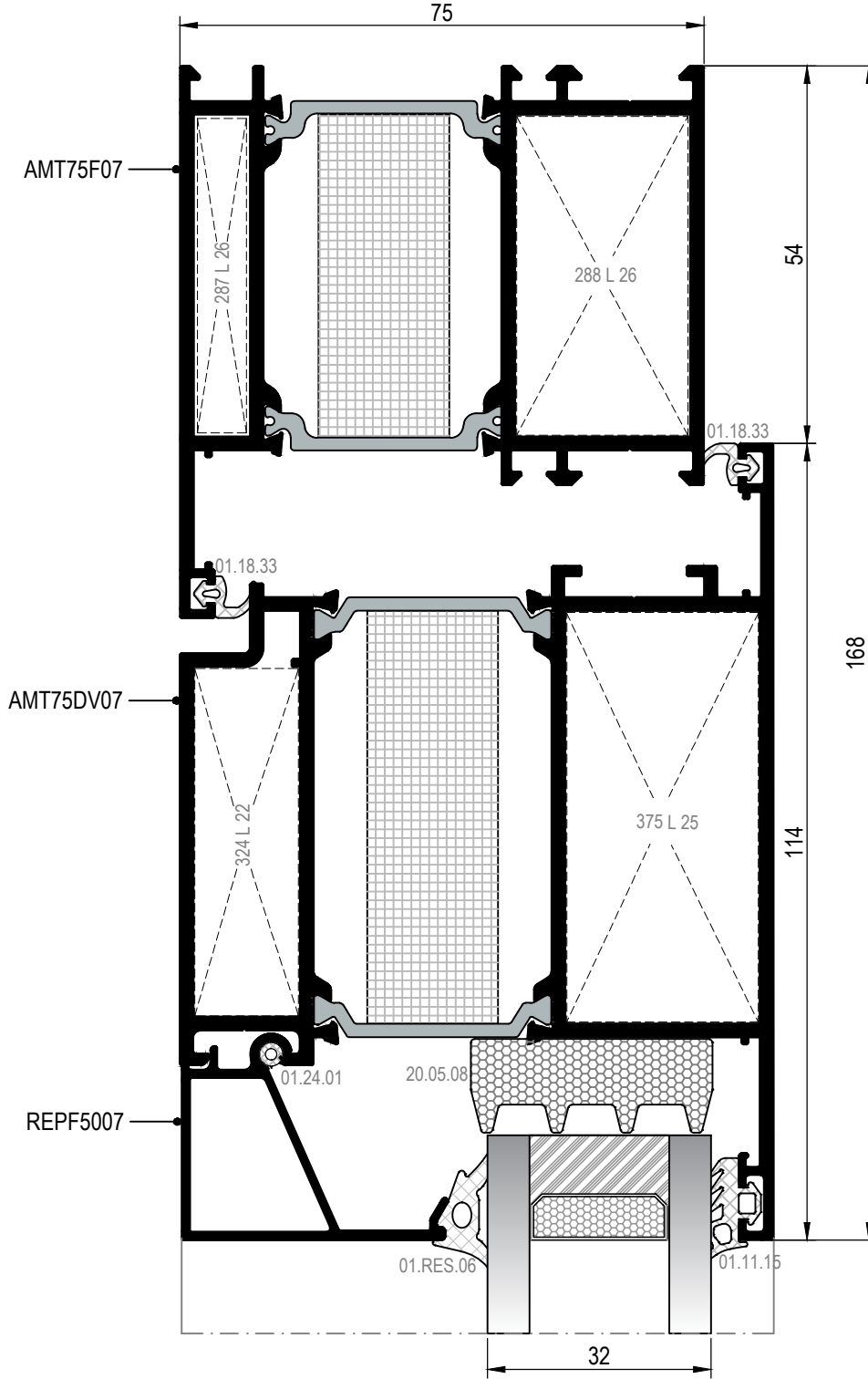
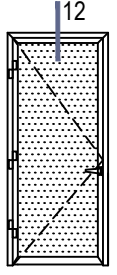


DİŞA AÇILIM TİJ KANALLI KAPI DETAYLARI  
OUTWARD OPENING DOOR DETAILS WITH EURO GROOVE



11 DETAYI  
DETAIL

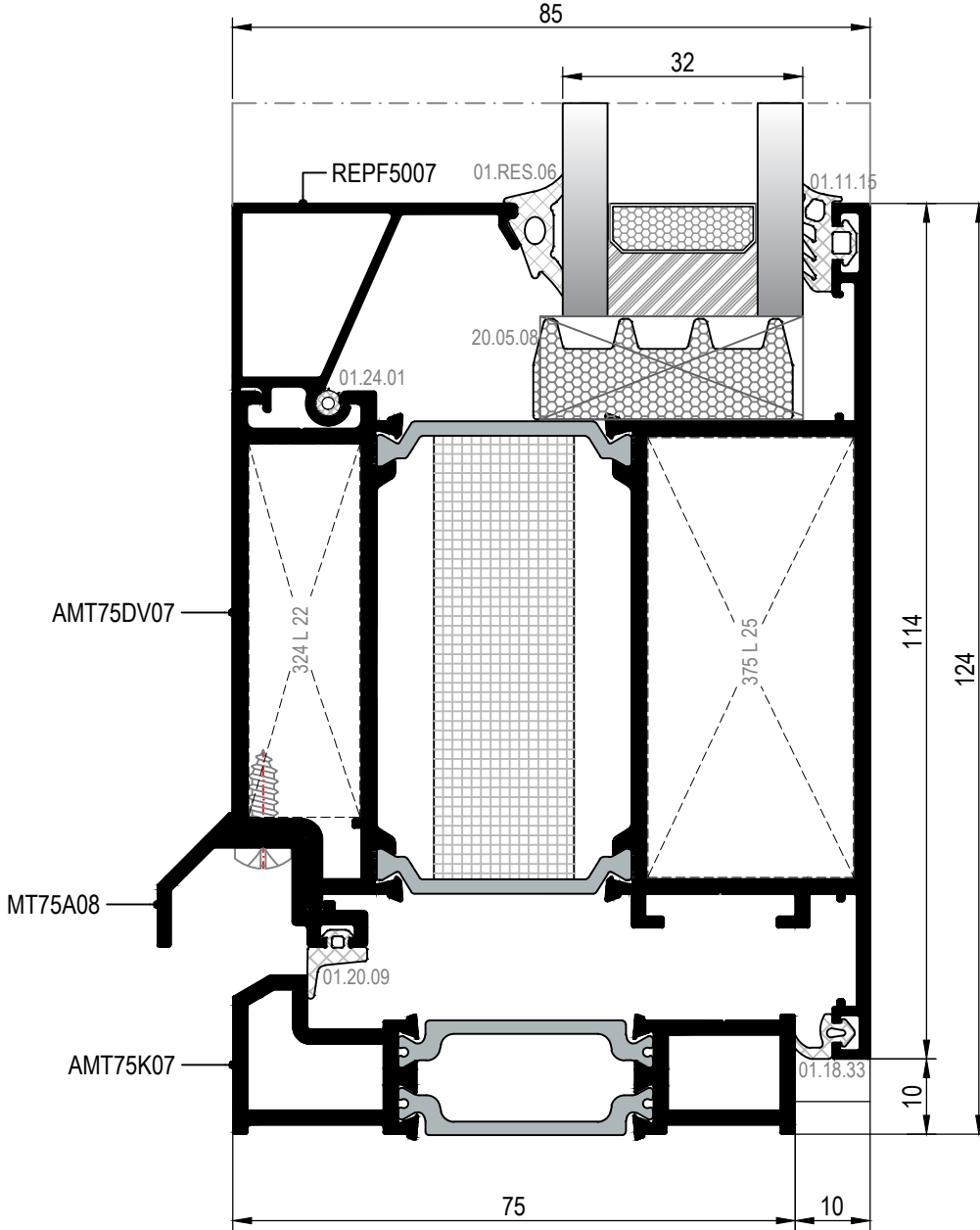
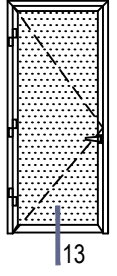
DİŐA AÇILIM TİJ KANALLI KAPI DETAYLARI  
OUTWARD OPENING DOOR DETAILS WITH EURO GROOVE



12 DETAYI  
DETAIL

DİŐ (OUTSIDE) ➔

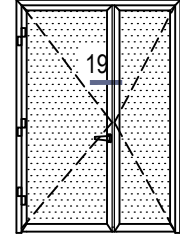
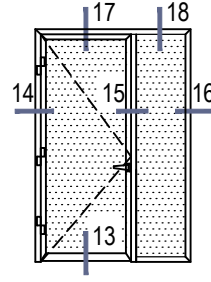
DİŐA AÇILIM TİJ KANALLI KAPI DETAYLARI  
OUTWARD OPENING DOOR DETAILS WITH EURO GROOVE



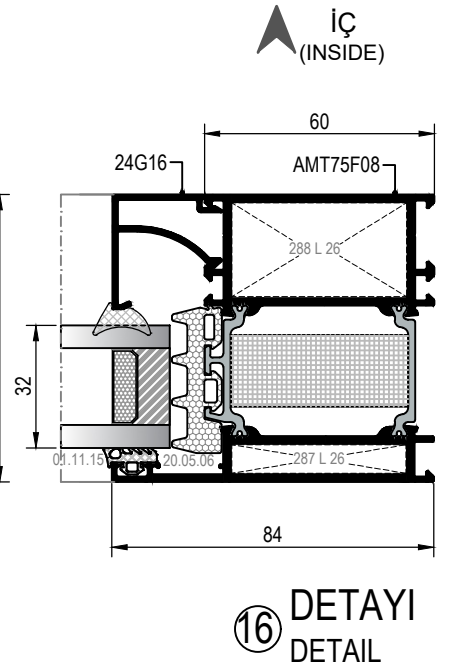
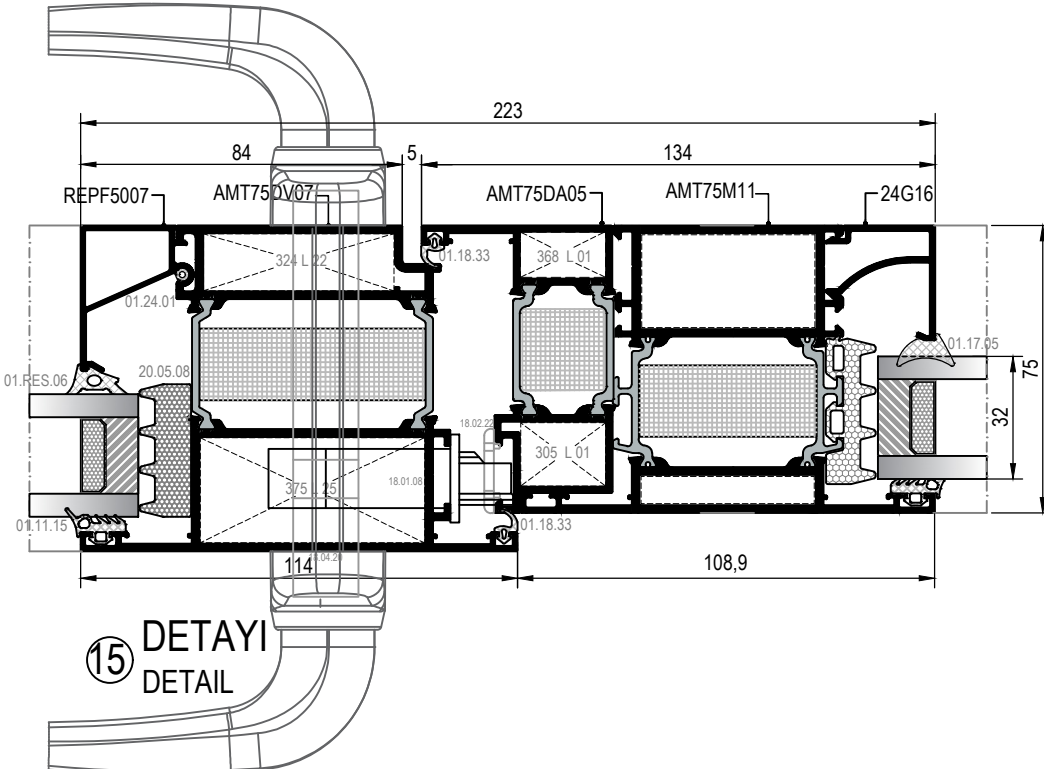
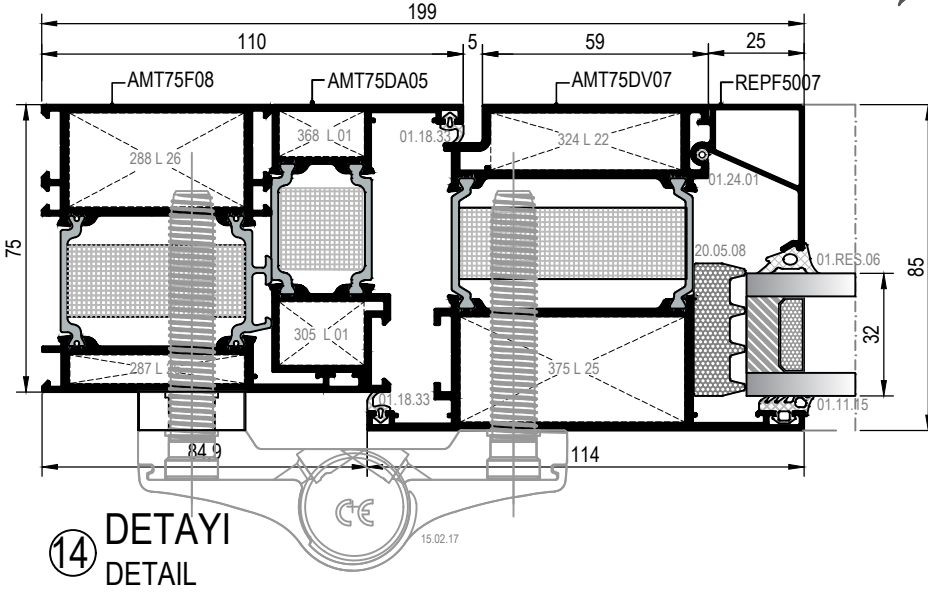
13 DETAYI  
DETAIL

DİŐ (OUTSIDE) ➔

DIŐA AÇILIM TİJ KANALLI KAPI DETAYLARI  
OUTWARD OPENING DOOR DETAILS WITH EURO GROOVE

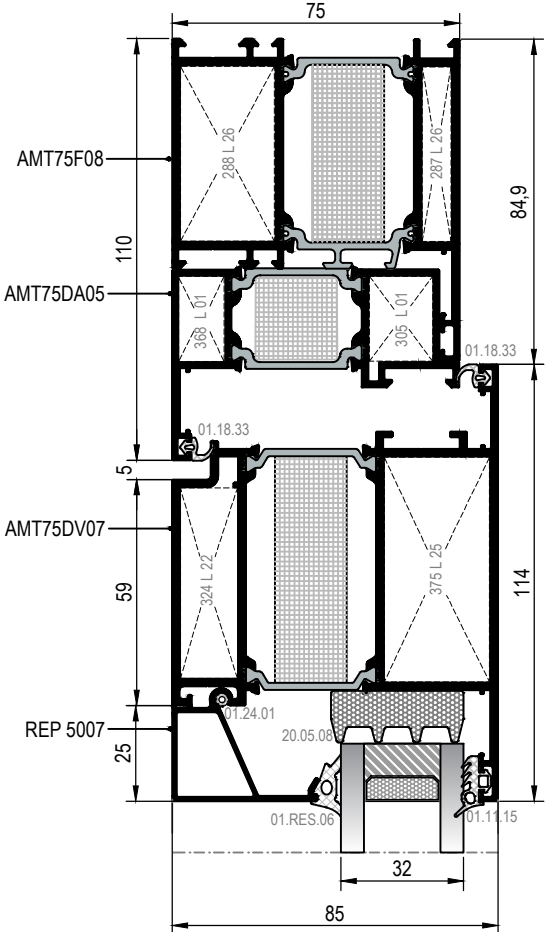


İÇ  
(INSIDE)



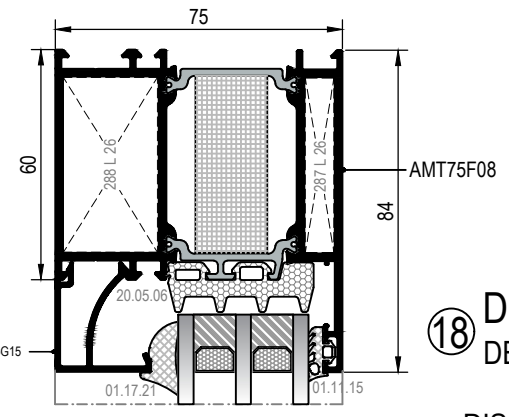
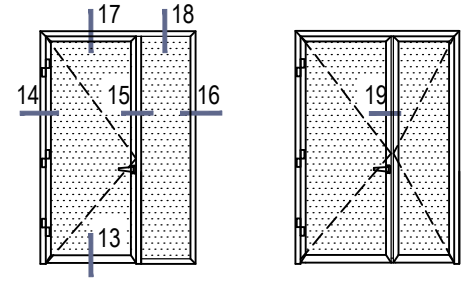
ÖLÇEK/scale: 1/2

DIŞA AÇILIM TİJ KANALLI KAPI DETAYLARI  
OUTWARD OPENING DOOR DETAILS WITH EURO GROOVE



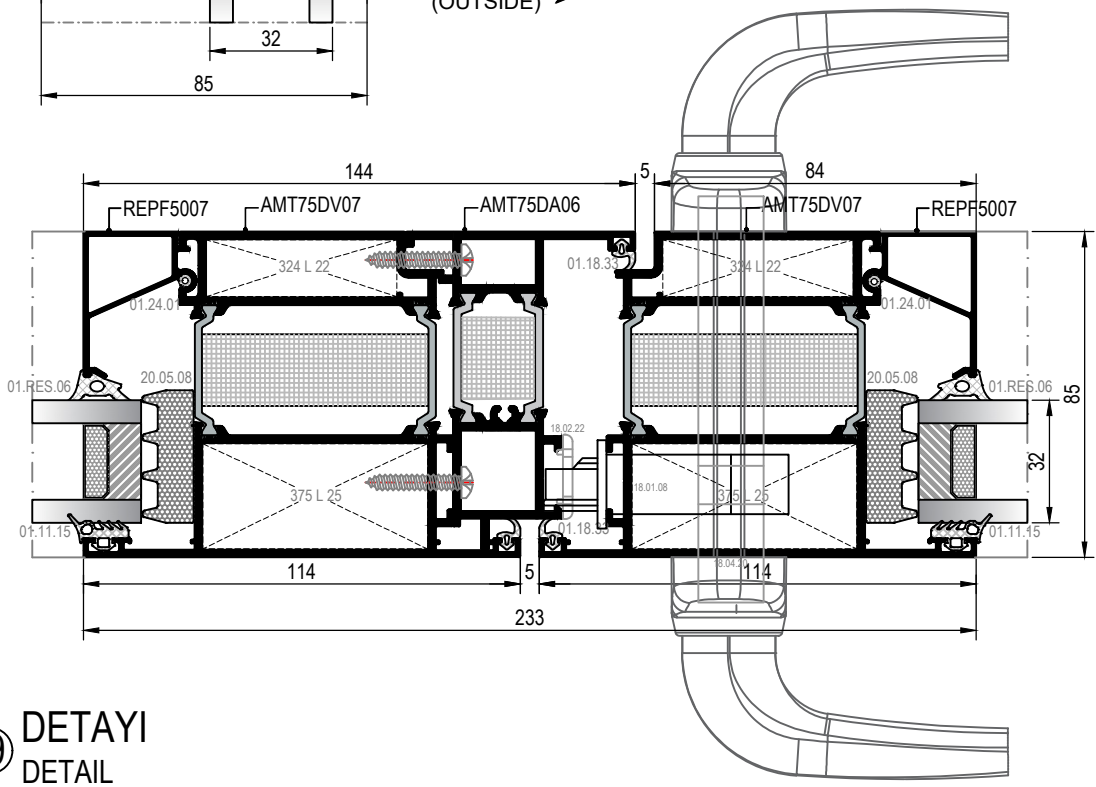
17 DETAYI  
DETAIL

DIŞ  
(OUTSIDE) ➔



18 DETAYI  
DETAIL

DIŞ  
(OUTSIDE) ➔



19 DETAYI  
DETAIL

İÇ  
(INSIDE) ➔

ÖLÇEK/scale: 1/2

**MİMARİ KATALOG**  
ARCHITECTURAL CATALOGUE

Alüminyum Kapı ve Pencere Sistemleri  
Aluminium Door and Window Systems

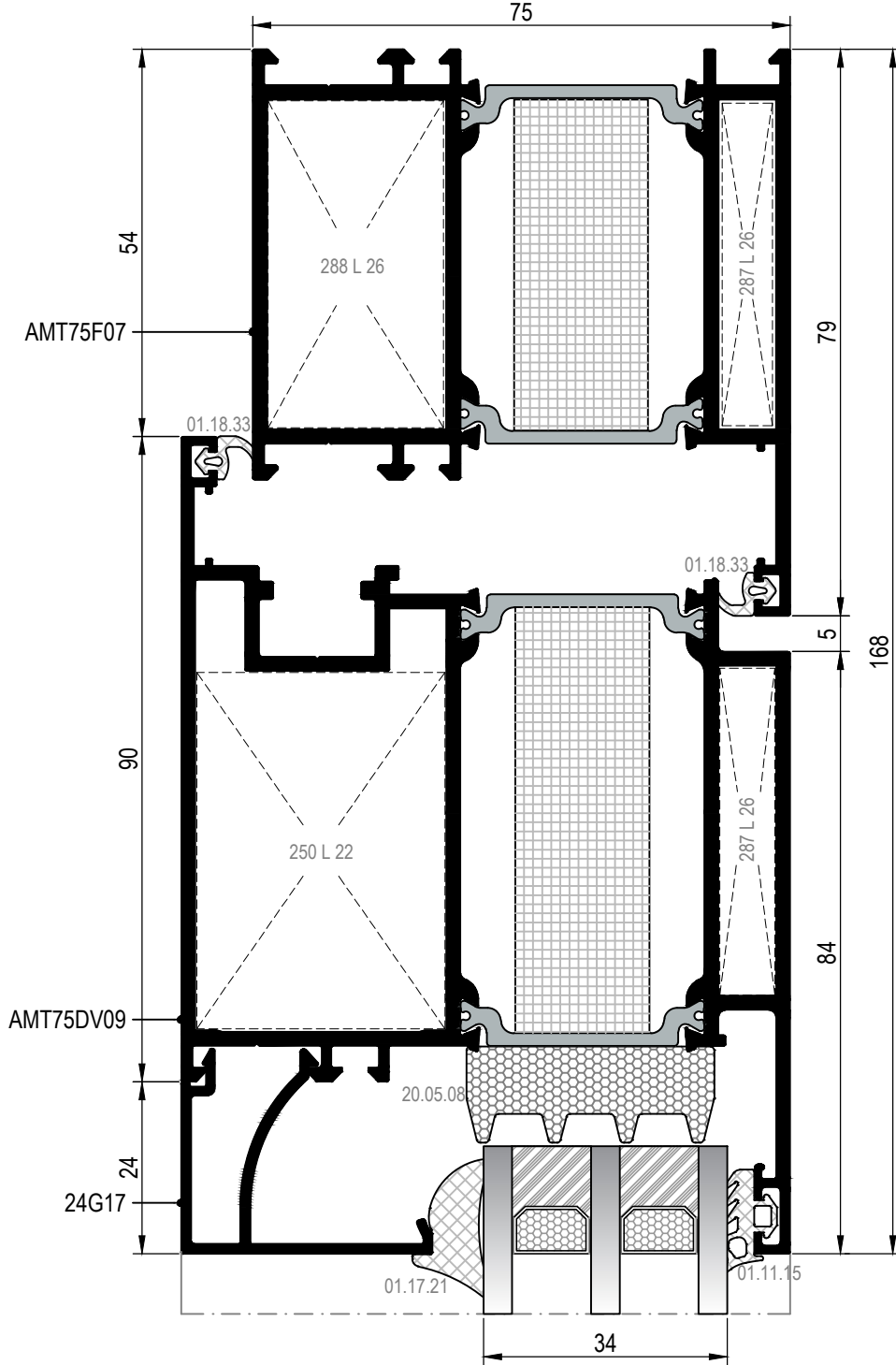
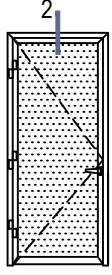
# RWT75

**PVC KANALLI KAPI DETAYLARI**

**DOOR DETAILS FOR PVC CHANNEL**



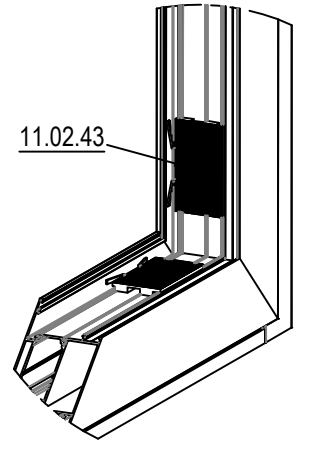
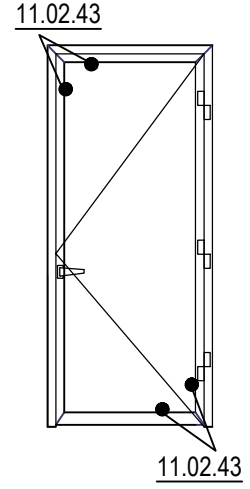
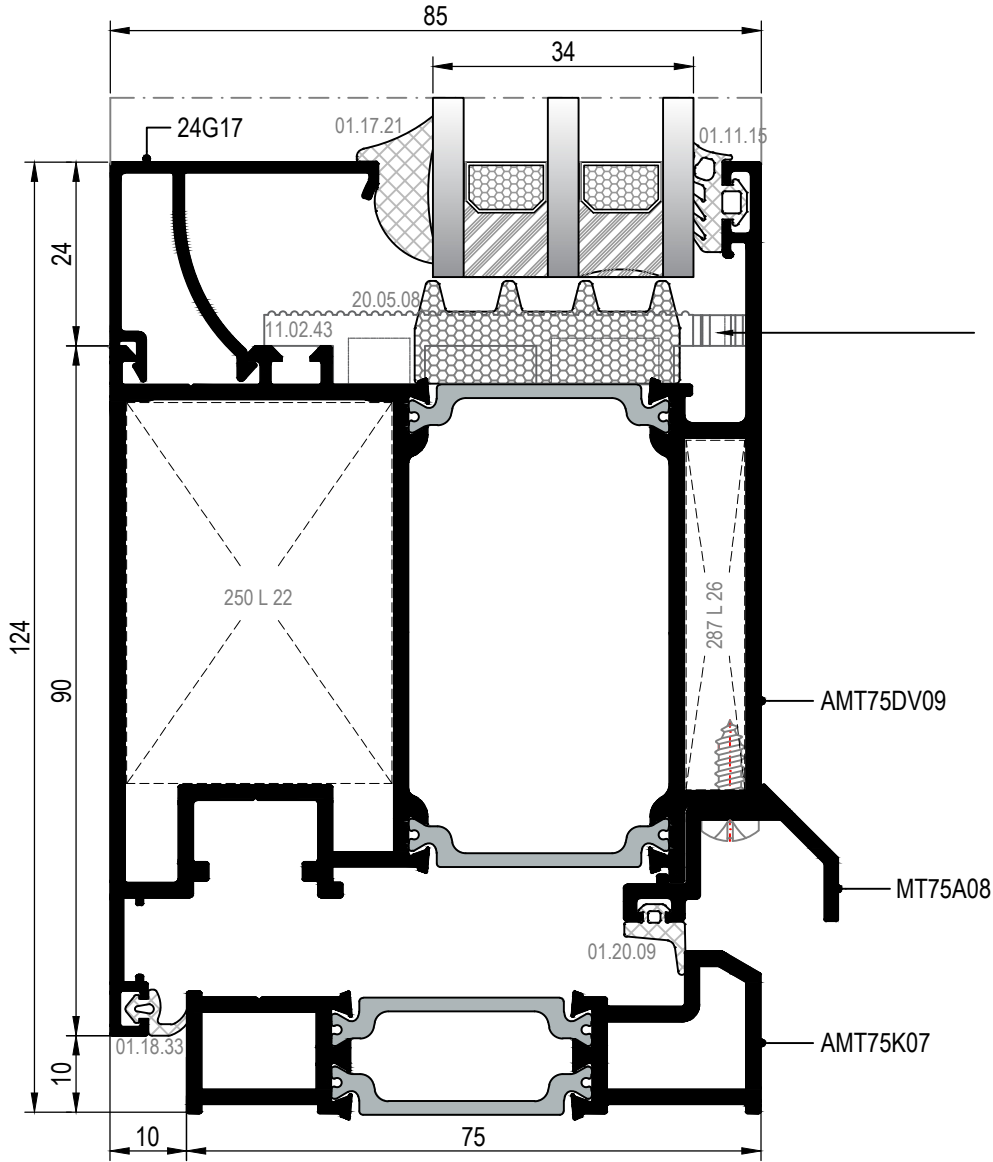
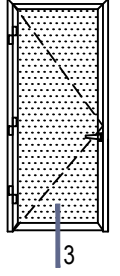
İÇE AÇILIM PVC KANALLI KAPI DETAYLARI  
INWARD OPENING DOOR DETAILS WITH PVC GROOVE



② DETAYI  
DETAIL

DIŞ  
(OUTSIDE) ➔

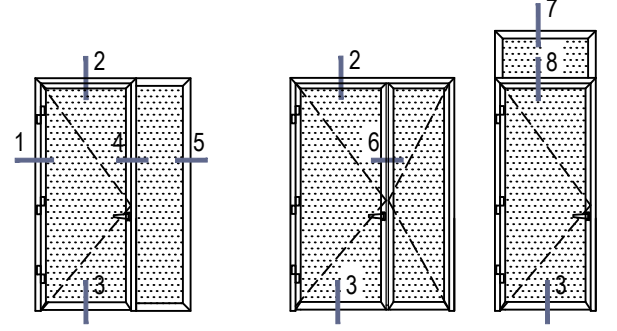
İÇE AÇILIM PVC KANALLI KAPI DETAYLARI  
INWARD OPENING DOOR DETAILS WITH PVC GROOVE



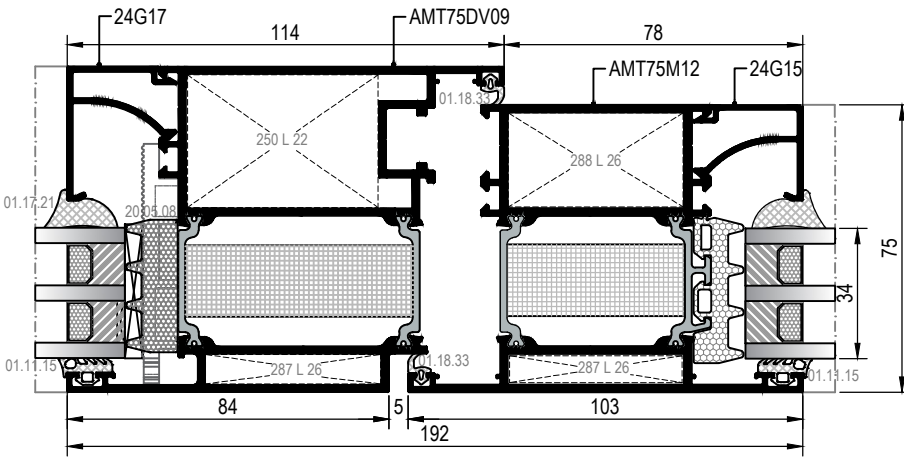
③ DETAYI  
DETAIL

DIŞ  
(OUTSIDE) ➔

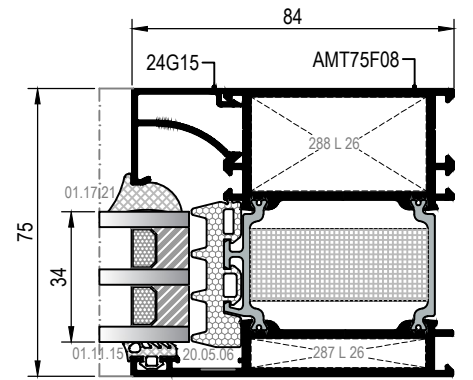
İÇE AÇILIM PVC KANALLI KAPI DETAYLARI  
INWARD OPENING DOOR DETAILS WITH PVC GROOVE



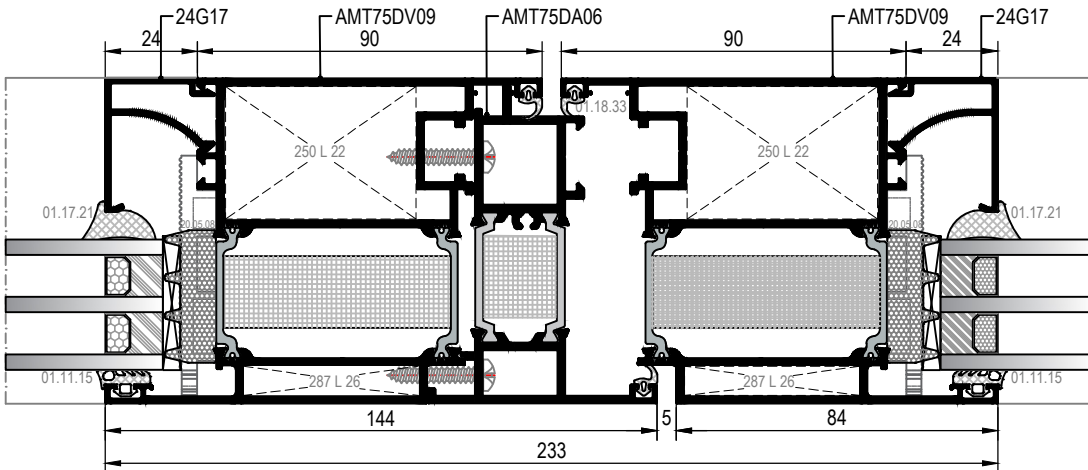
▲ İÇ  
(INSIDE)



④ DETAYI  
DETAIL



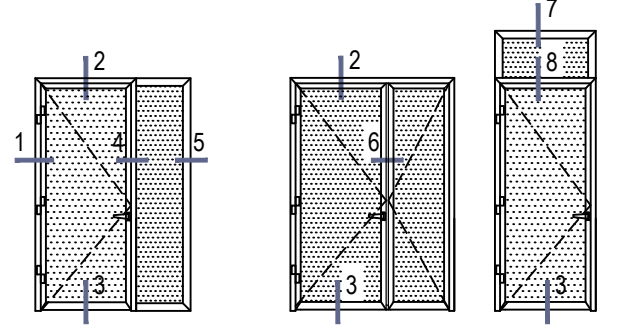
⑤ DETAYI  
DETAIL



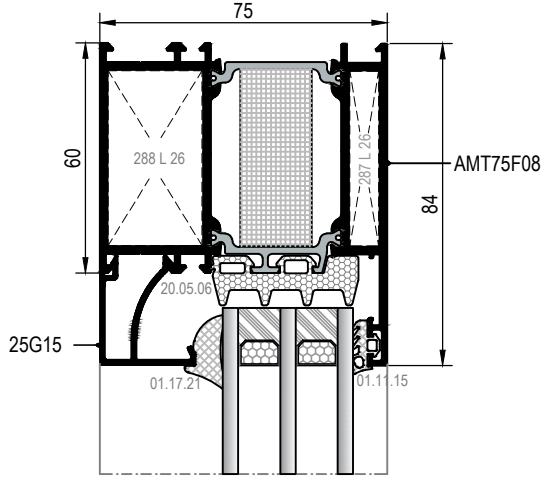
⑥ DETAYI  
DETAIL

ÖLÇEK/scale: 1/2

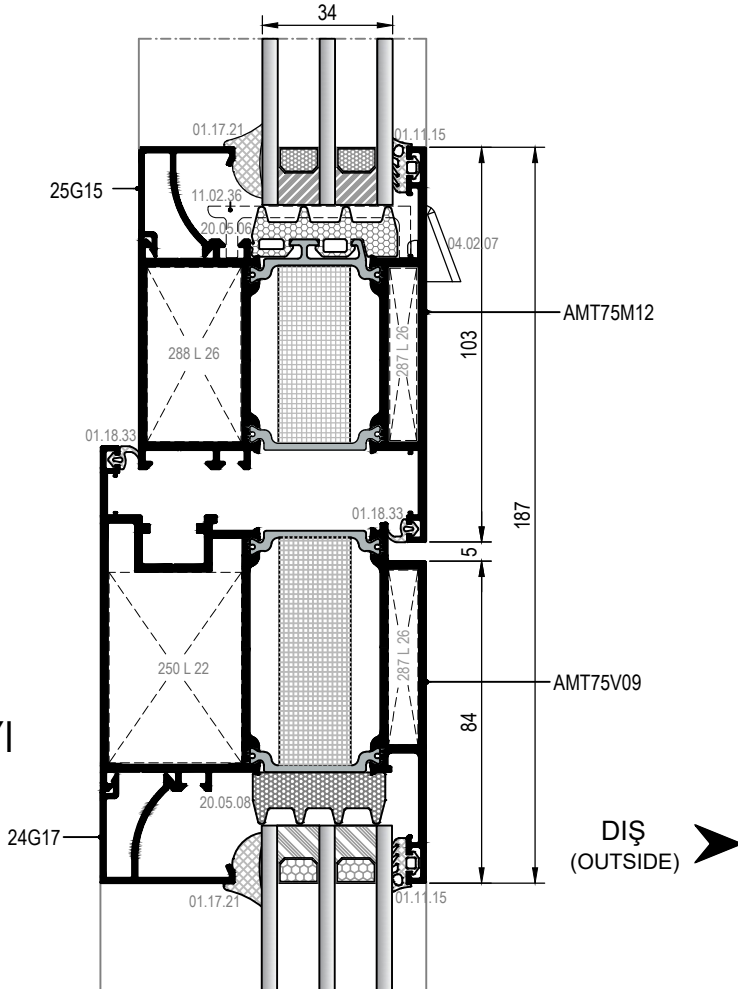
İÇE AÇILIM PVC KANALLI KAPI DETAYLARI  
INWARD OPENING DOOR DETAILS WITH PVC GROOVE



⑦ DETAYI  
DETAIL

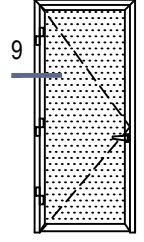


⑧ DETAYI  
DETAIL

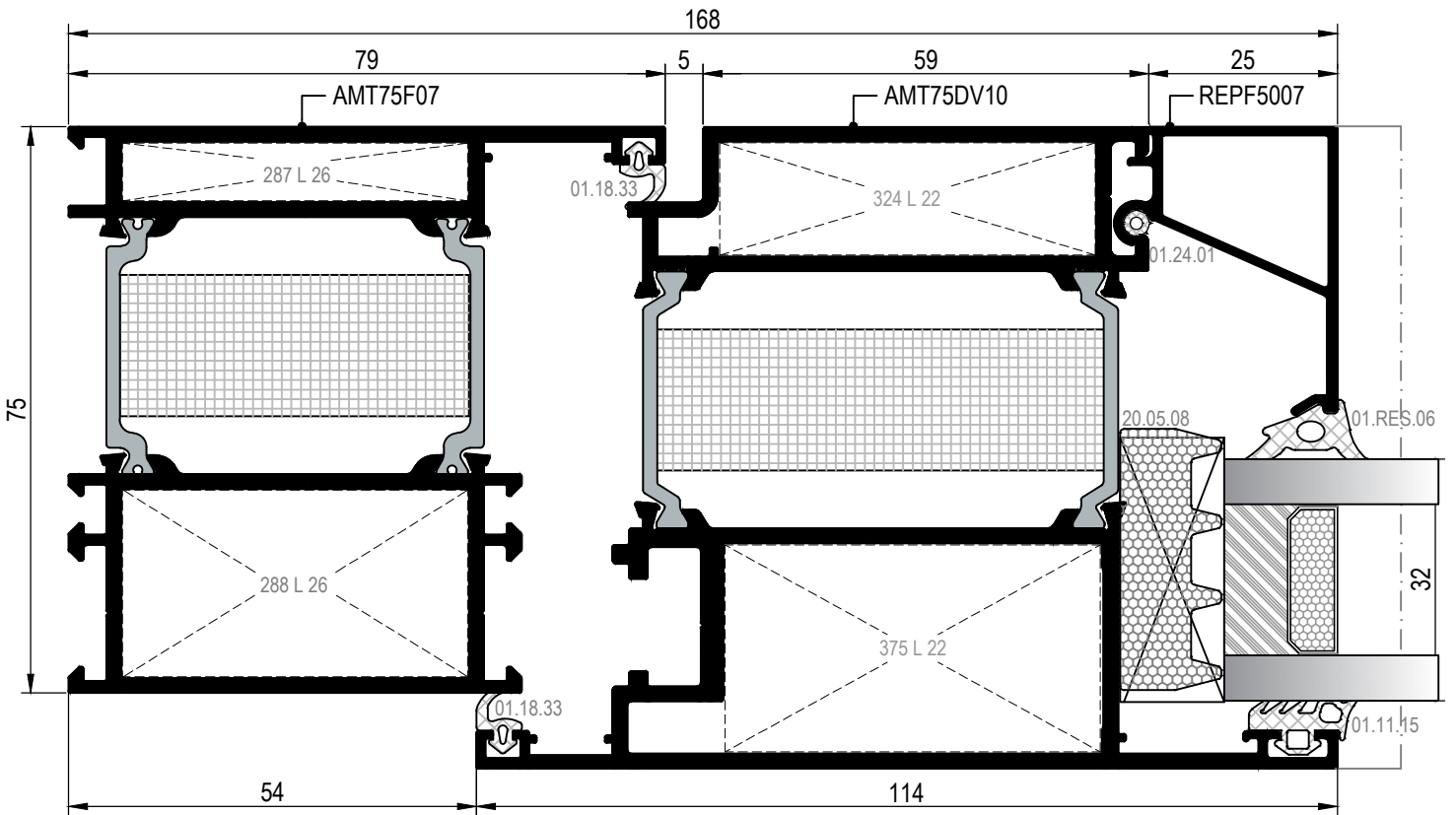


ÖLÇEK/scale: 1/2

DIŐA AÇILIM PVC KANALLI KAPI DETAYLARI  
OUTWARD OPENING DOOR DETAILS WITH PVC GROOVE

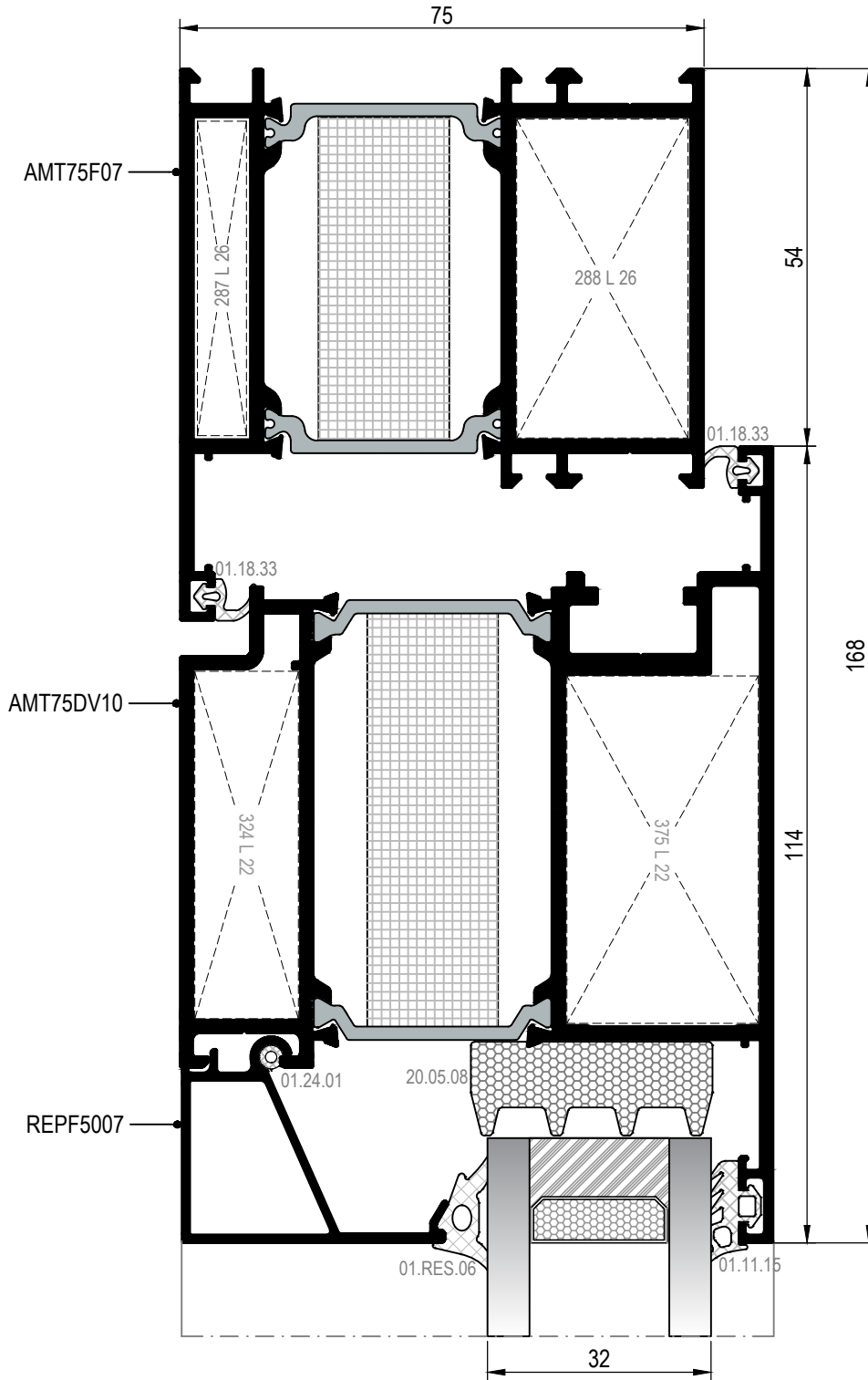
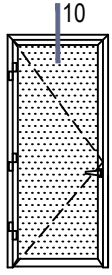


İÇ  
(INSIDE)



9 DETAYI  
DETAIL

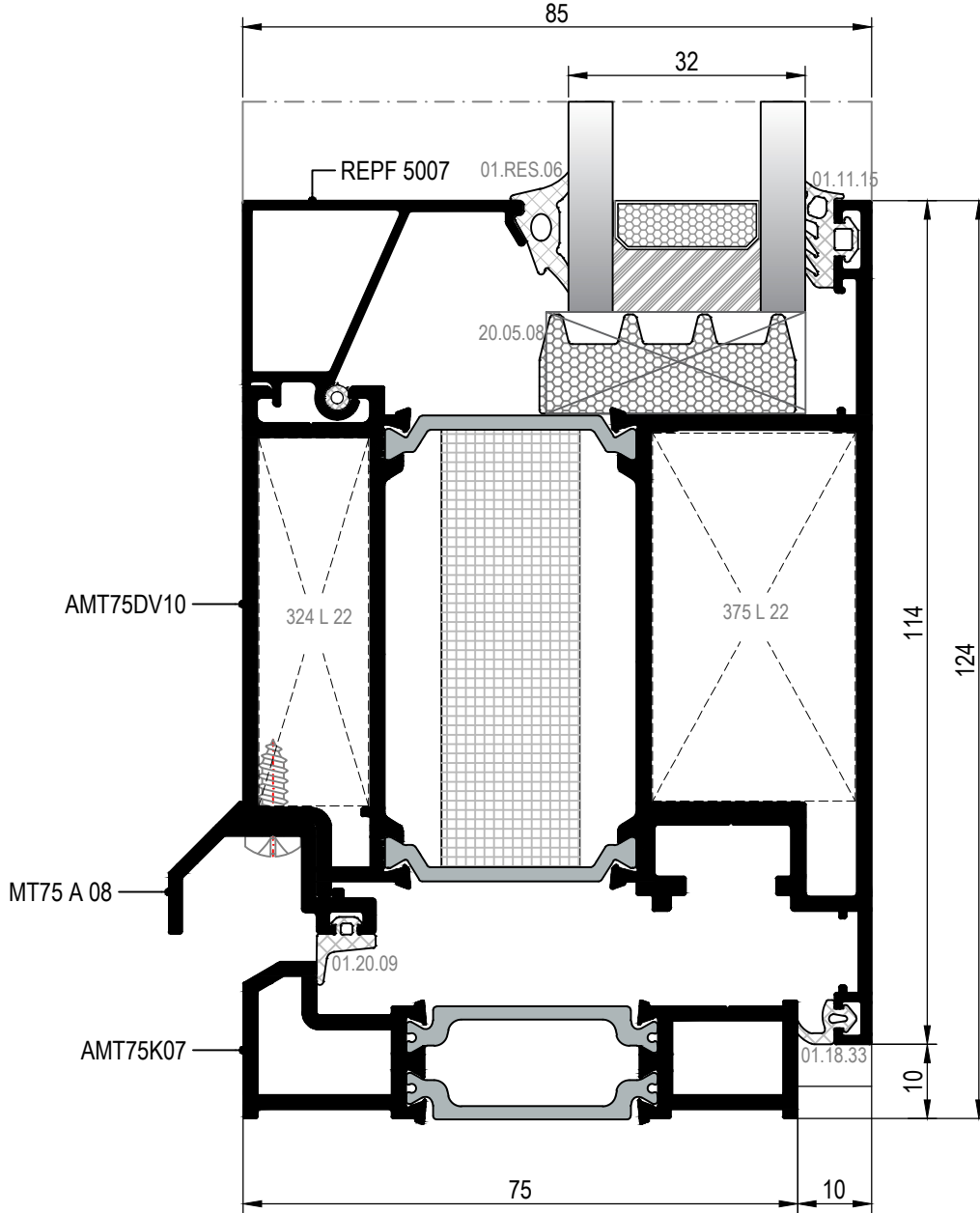
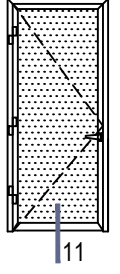
DİŐA AÇILIM PVC KANALLI KAPI DETAYLARI  
OUTWARD OPENING DOOR DETAILS WITH PVC GROOVE



10 DETAYI  
DETAIL

DİŐ (OUTSIDE) ➔

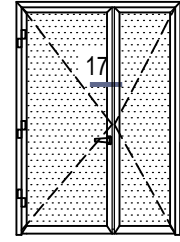
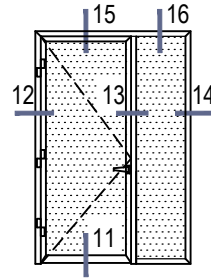
DIŞA AÇILIM PVC KANALLI KAPI DETAYLARI  
OUTWARD OPENING DOOR DETAILS WITH PVC GROOVE



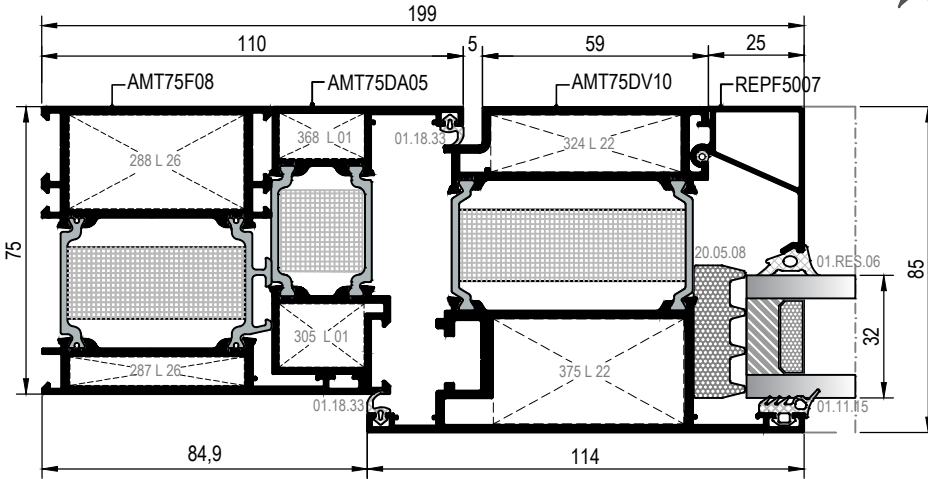
⑪ DETAYI  
DETAIL

DIŞ  
(OUTSIDE) ➔

DİŞA AÇILIM PVC KANALLI KAPI DETAYLARI  
OUTWARD OPENING DOOR DETAILS WITH PVC GROOVE

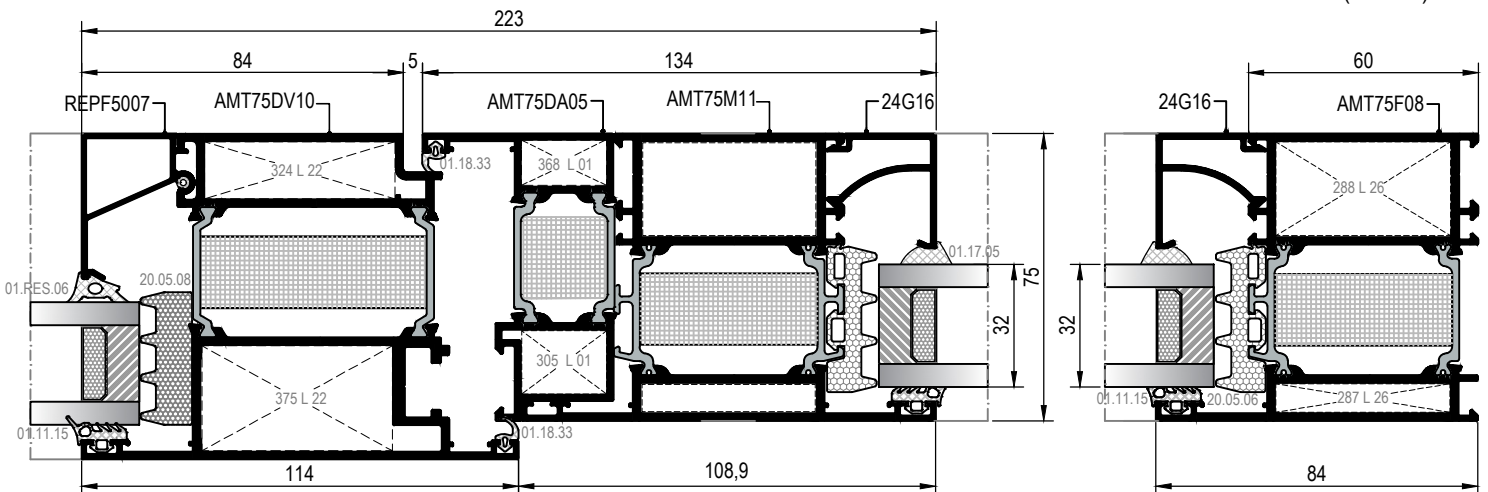


İÇ  
(INSIDE)



12 DETAYI  
DETAIL

İÇ  
(INSIDE)

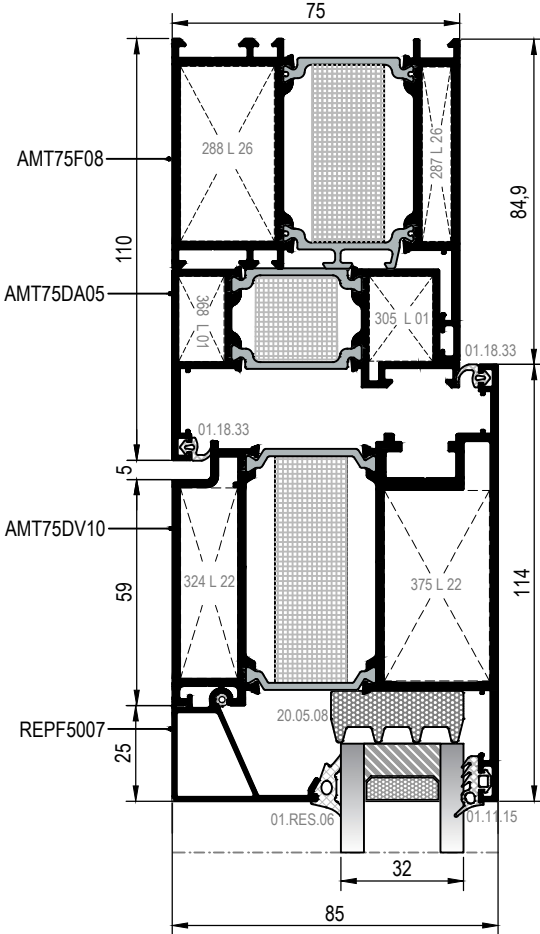


13 DETAYI  
DETAIL

14 DETAYI  
DETAIL

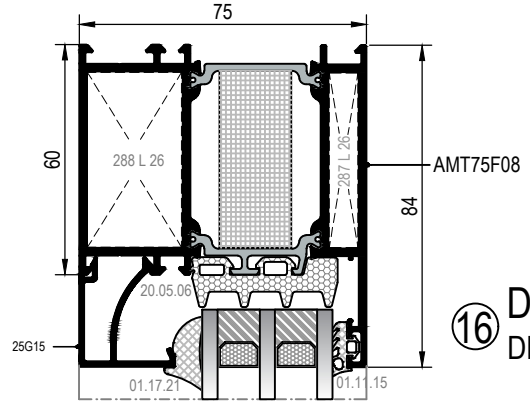
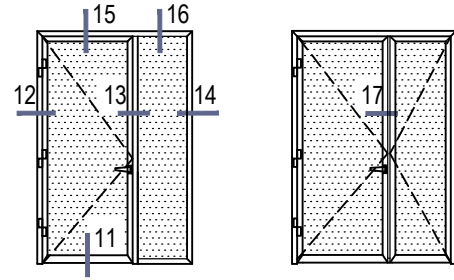
ÖLÇEK/scale: 1/2

DIŞA AÇILIM PVC KANALLI KAPI DETAYLARI  
OUTWARD OPENING DOOR DETAILS WITH PVC GROOVE



15 DETAYI  
DETAIL

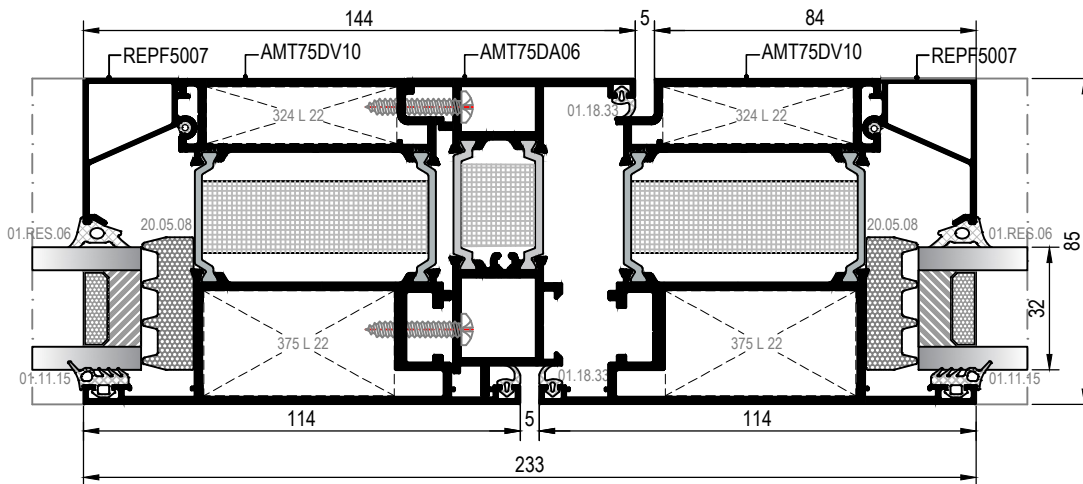
DIŞ  
(OUTSIDE) ➤



16 DETAYI  
DETAIL

DIŞ  
(OUTSIDE) ➤

➤ İÇ  
(INSIDE)



17 DETAYI  
DETAIL

ÖLÇEK/scale: 1/2



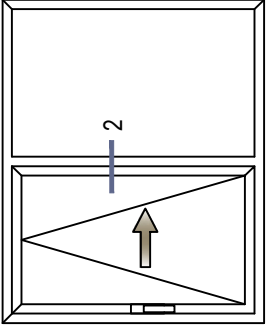
**MİMARİ KATALOG**  
**ARCHITECTURAL CATALOGUE**

**Alüminyum Kapı ve Pencere Sistemleri**  
Aluminium Door and Window Systems

# RWT75

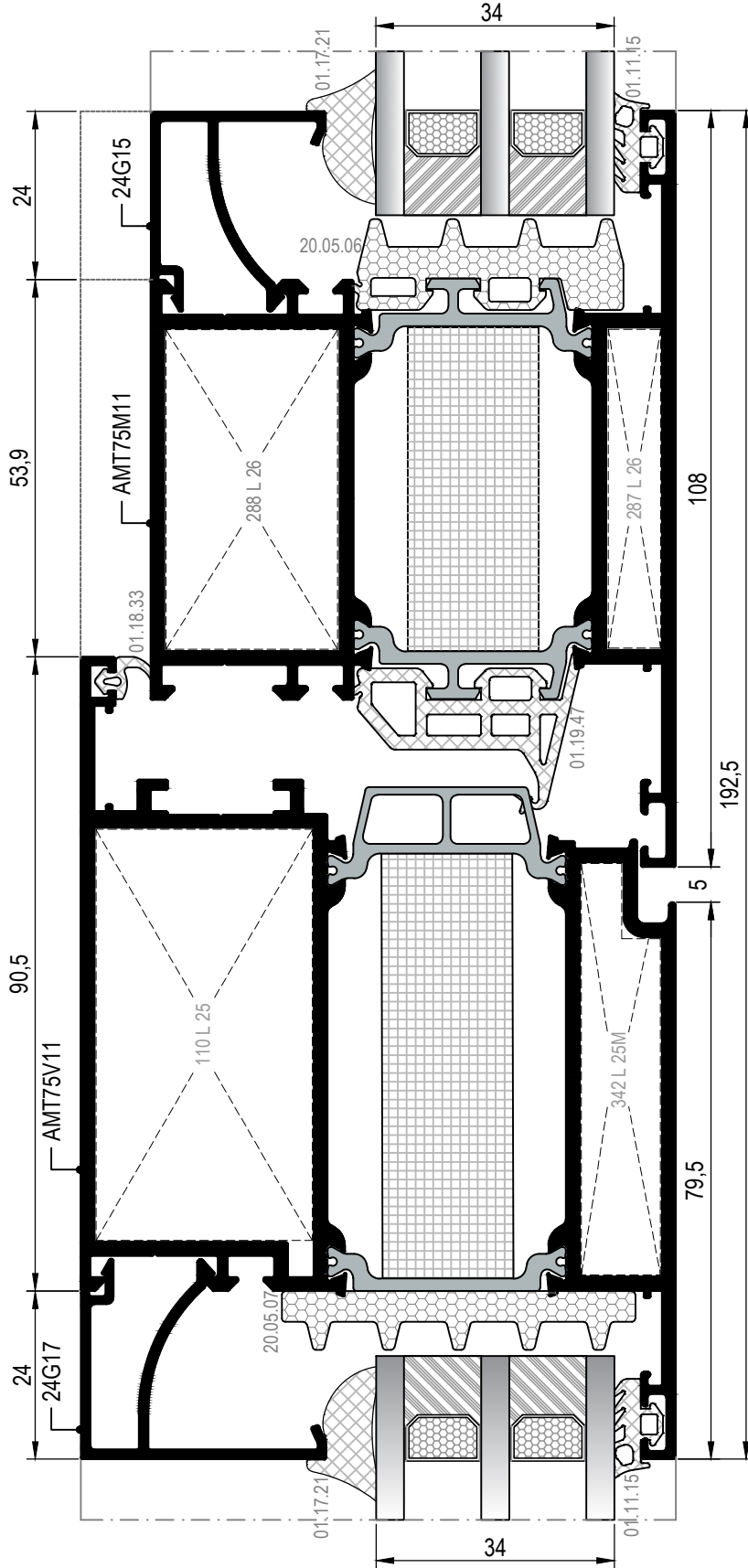
**PARALEL SÜRME(ÇEK-SÜR)DETAYLARI**  
**TILT&SLIDE DETAILS**





ÇEK SÜR DETAYI  
TILT&SLIDE DETAIL

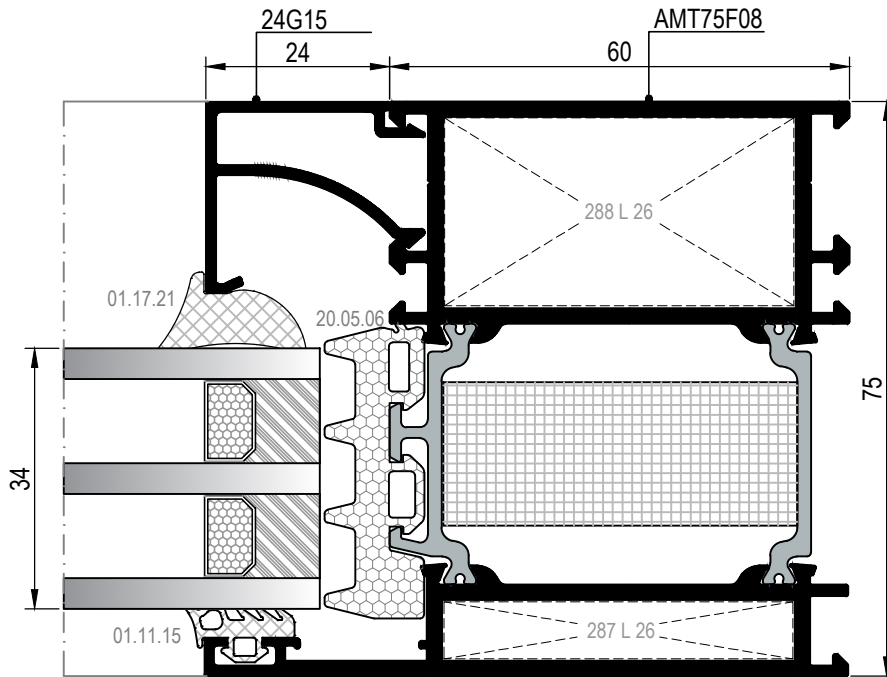
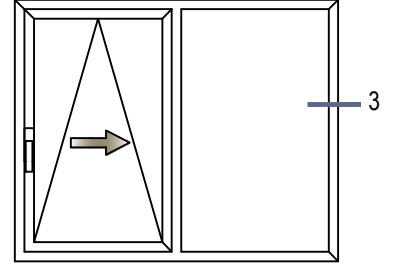
İÇ  
(INSIDE)



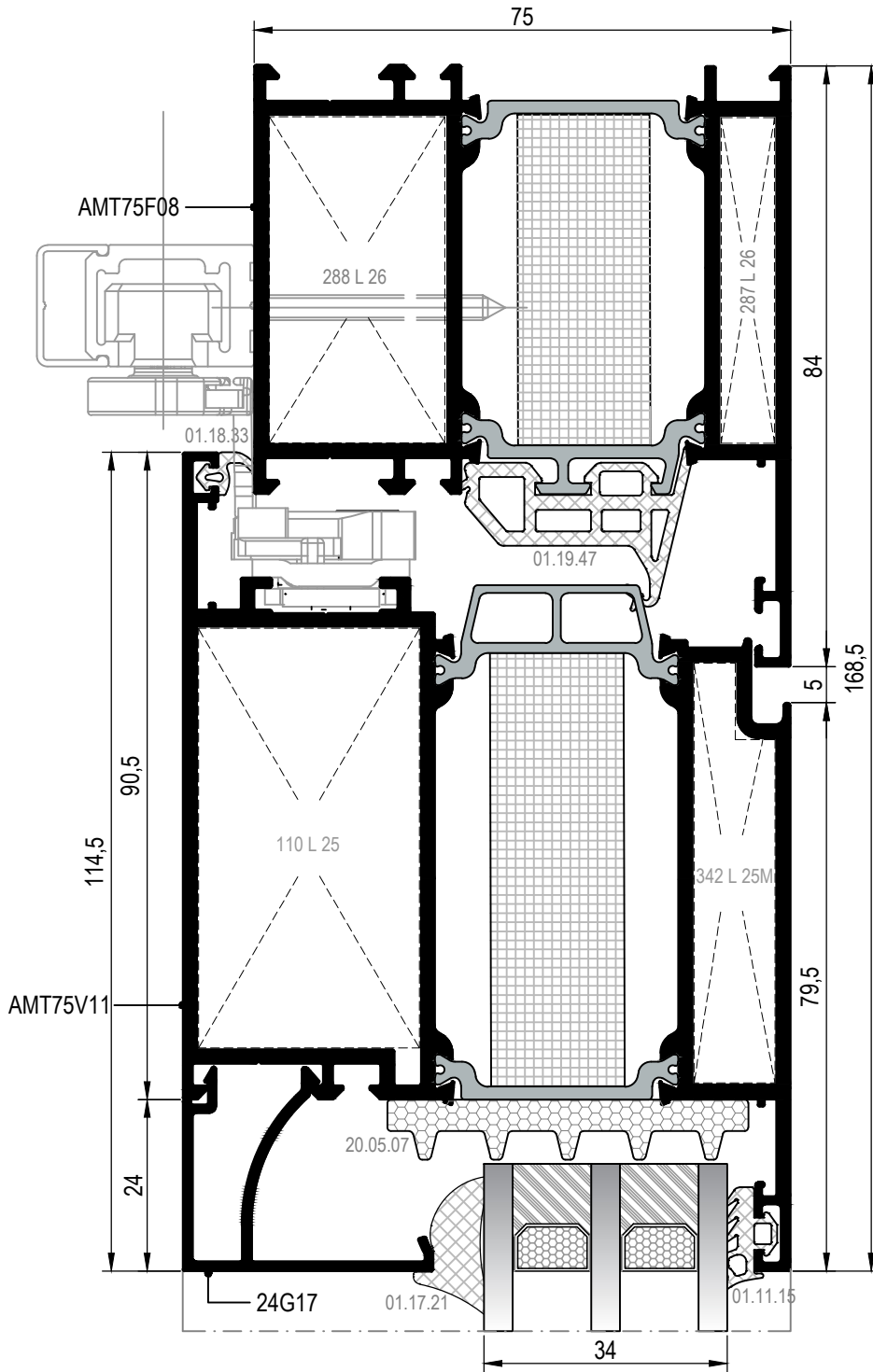
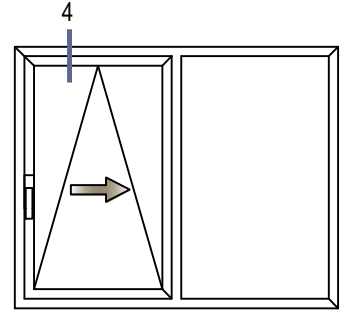
DIŞ  
(OUTSIDE)

② DETAYI  
DETAIL

ÇEK&SÜR DETAYI  
TILT&SLIDE DETAILS



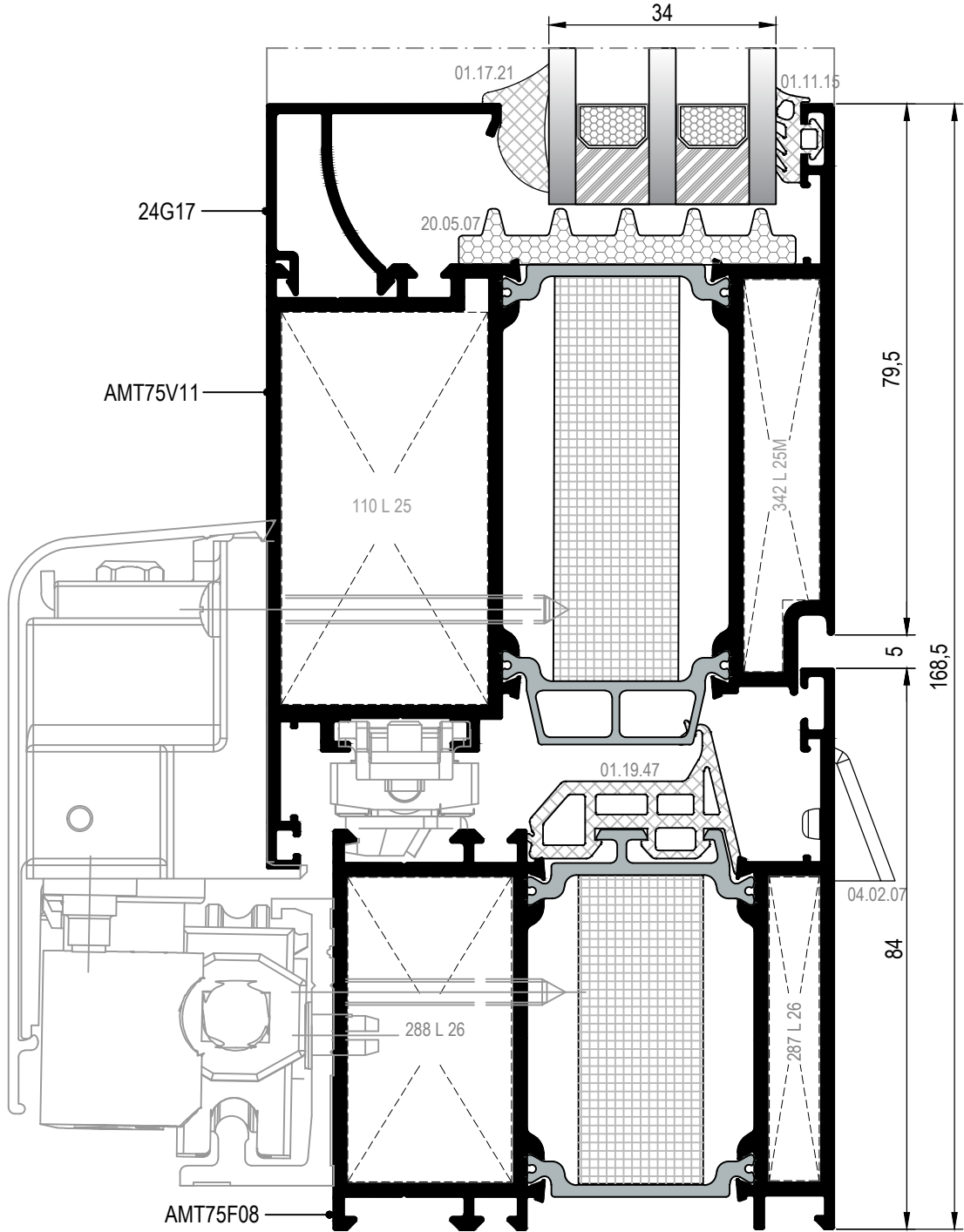
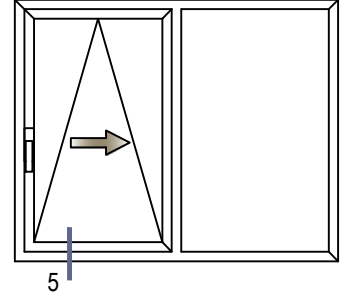
ÇEK&SÜR DETAYI  
TILT&SLIDE DETAILS



④ DETAYI  
DETAIL

DIŞ  
(OUTSIDE) ➔

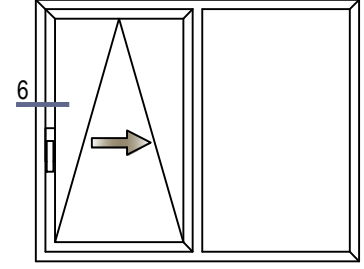
ÇEK&SÜR DETAYI  
TILT&SLIDE DETAILS



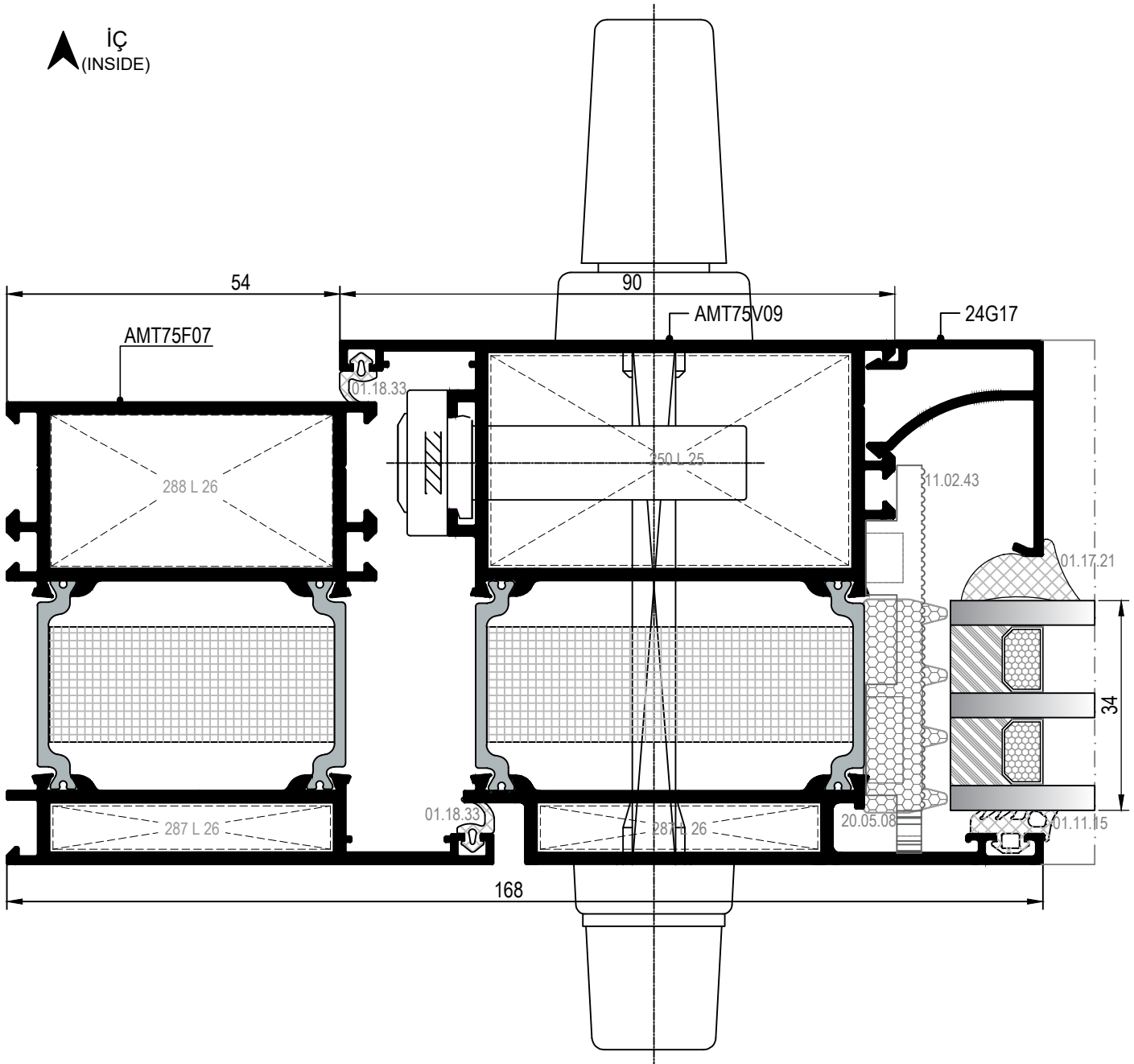
⑤ DETAYI  
DETAIL

DIŞ  
(OUTSIDE) ➔

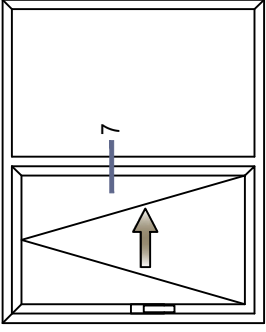
ÇEK&SÜR DETAYI  
TILT&SLIDE DETAILS



İÇ  
(INSIDE)

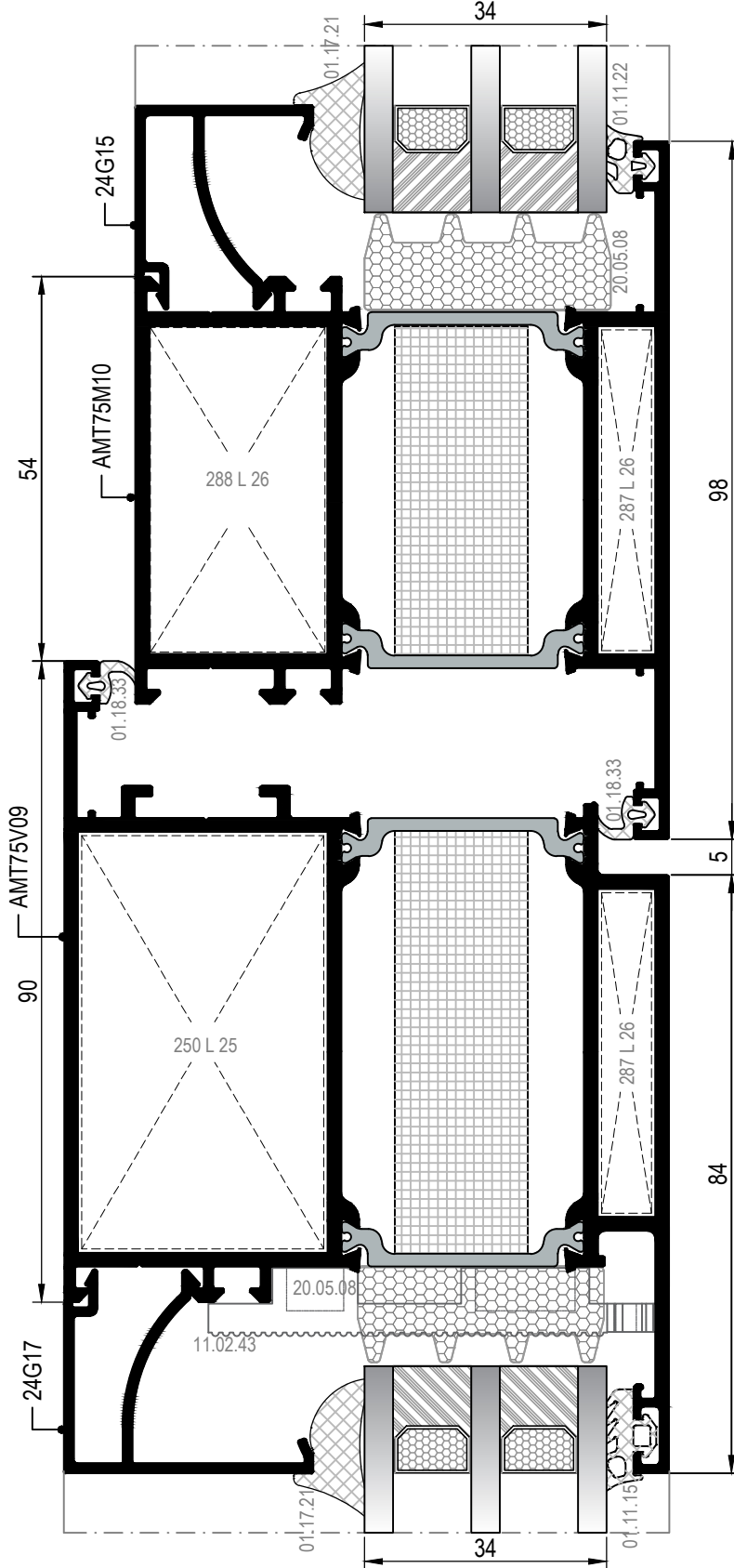


⑥ DETAYI  
DETAIL



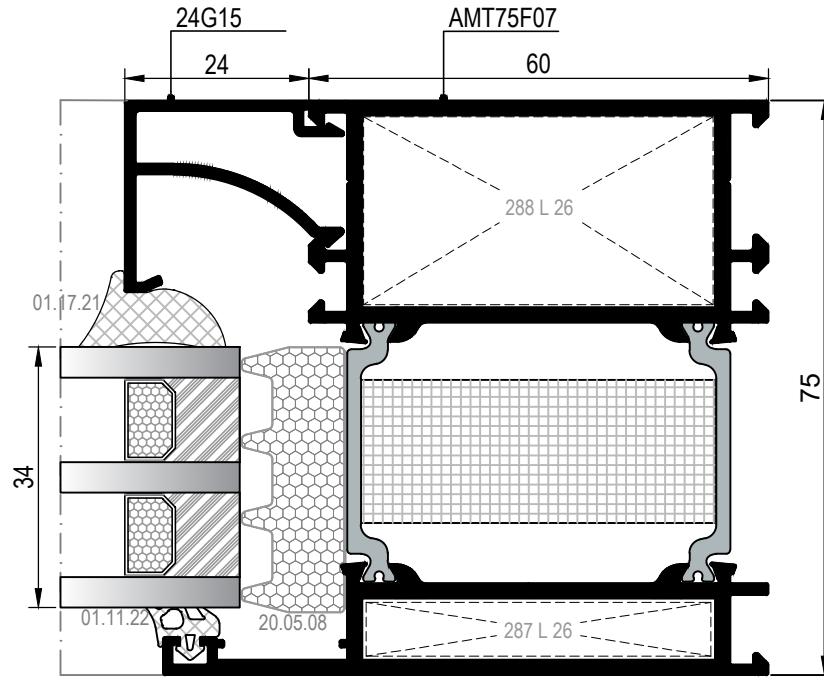
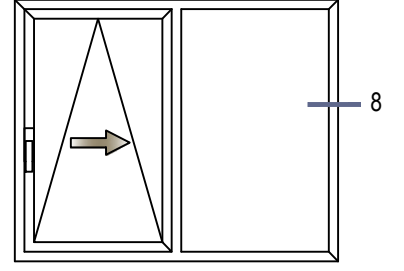
ÇEK SÜR DETAYI  
TILT&SLIDE DETAIL

İÇ  
(INSIDE)

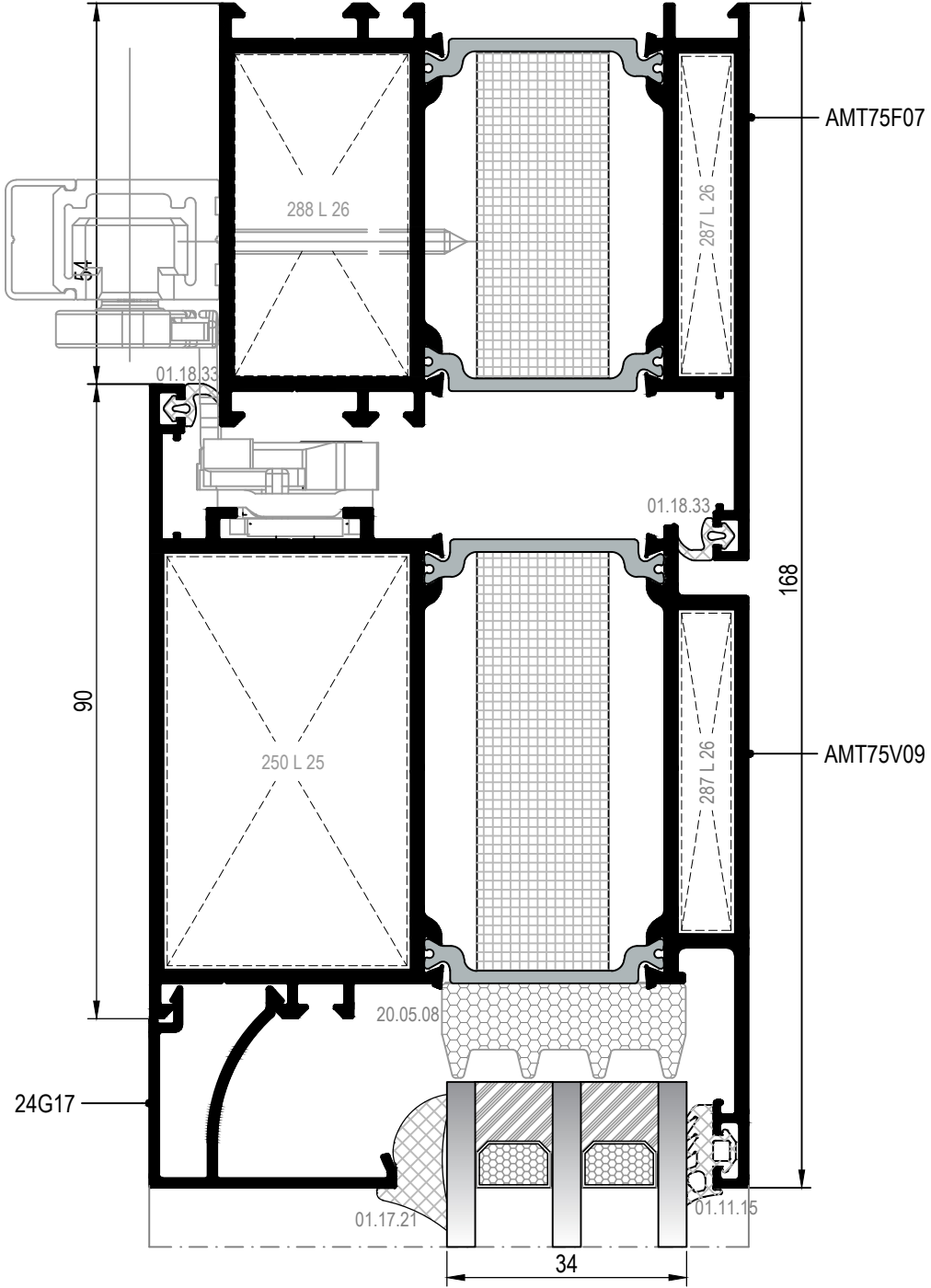
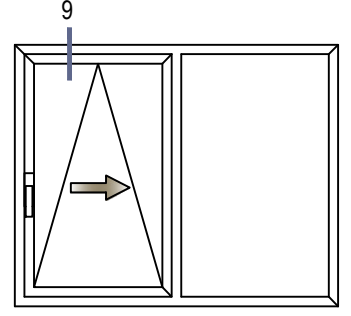


7 DETAYI  
DETAIL

ÇEK&SÜR DETAYI  
TILT&SLIDE DETAILS



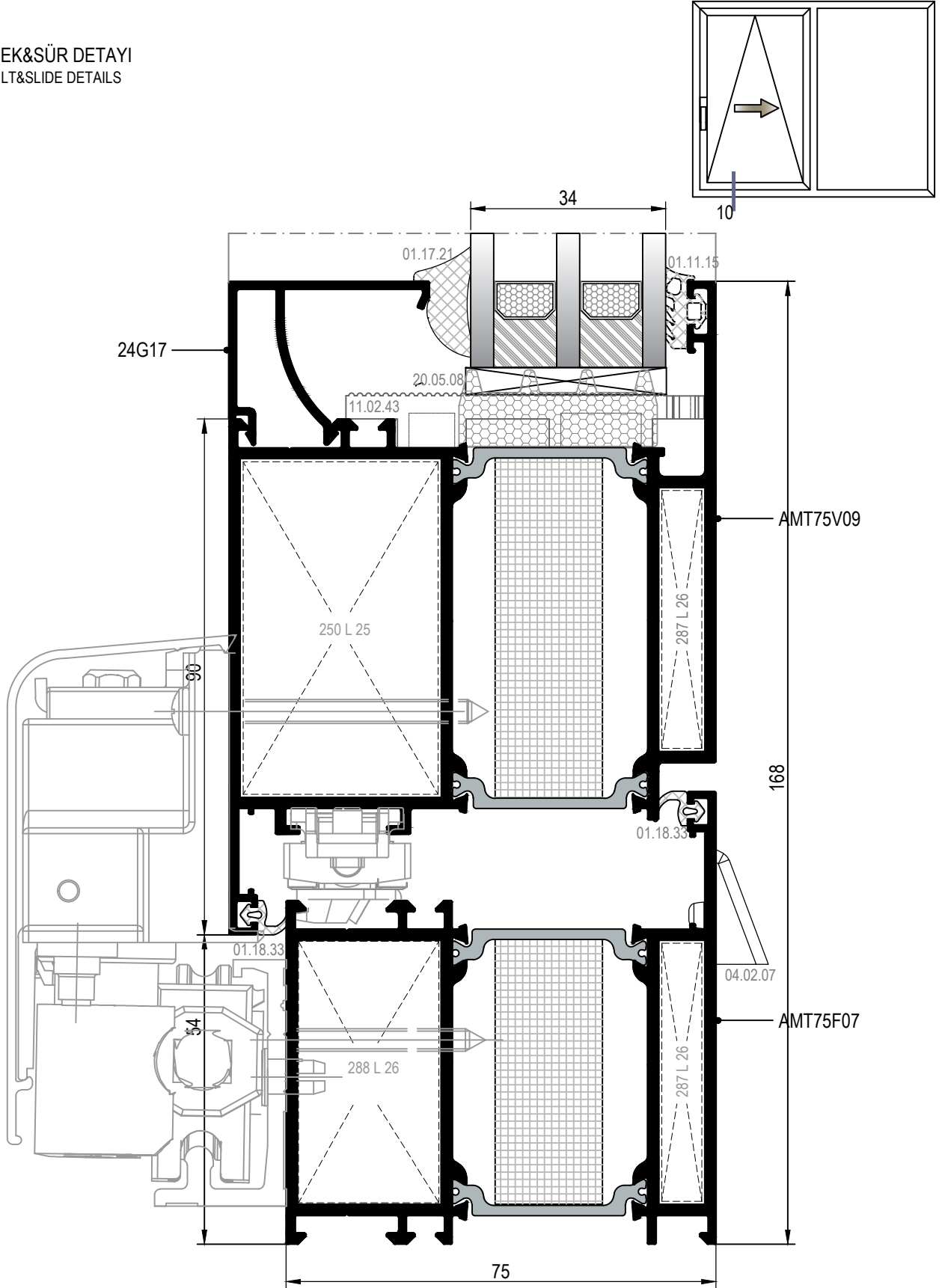
ÇEK&SÜR DETAYI  
TILT&SLIDE DETAILS



⑨ DETAYI  
DETAIL

DIŞ  
(OUTSIDE) ➔

ÇEK&SÜR DETAYI  
TILT&SLIDE DETAILS



10 DETAYI  
DETAIL

DIŞ  
(OUTSIDE) ➔

**MİMARİ KATALOG**  
ARCHITECTURAL CATALOGUE

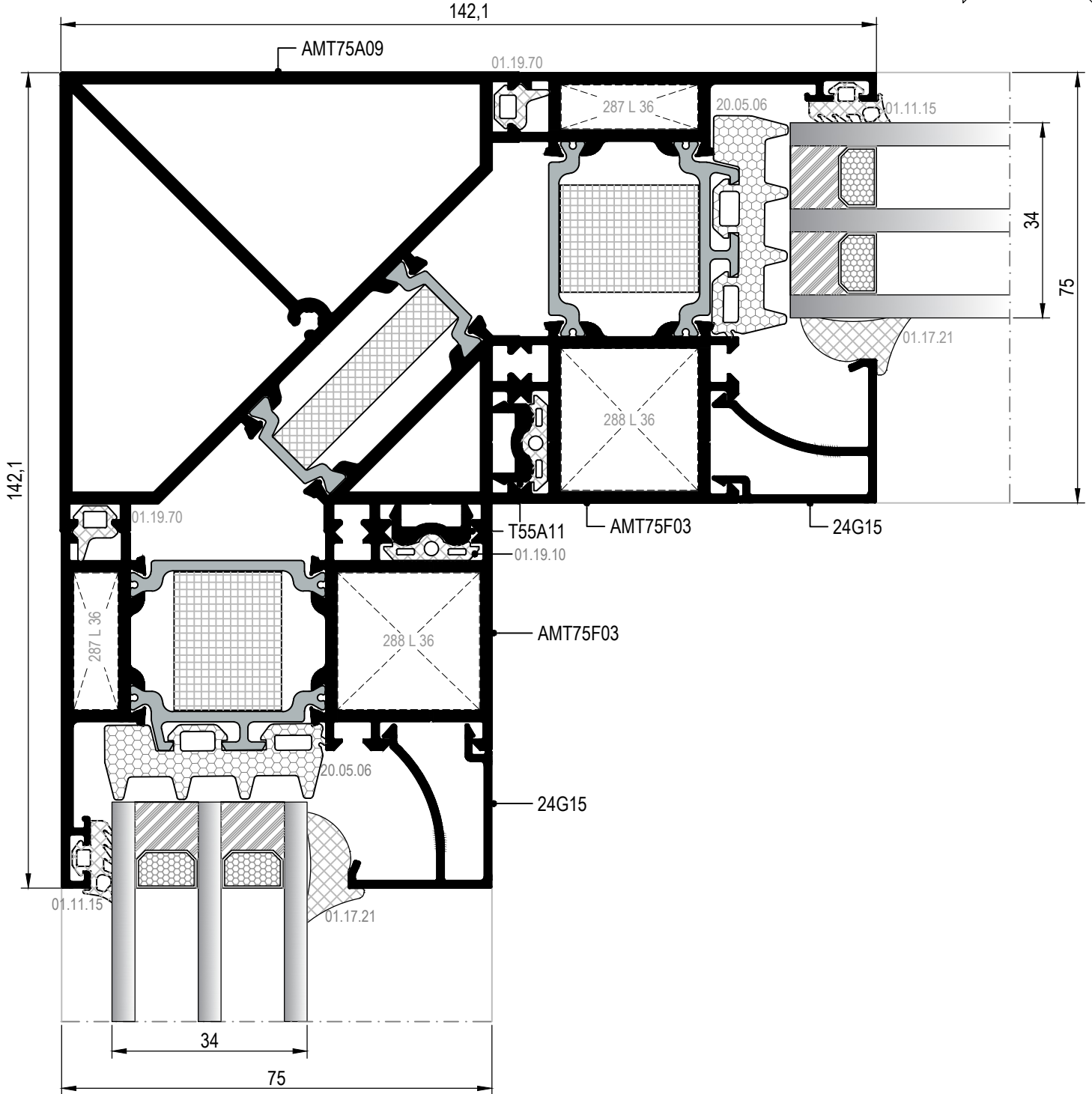
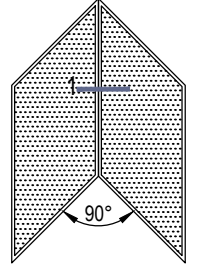
Alüminyum Kapı ve Pencere Sistemleri  
Aluminium Door and Window Systems

# RWT75

**KÖŞE DÖNÜŞ DETAYLARI**

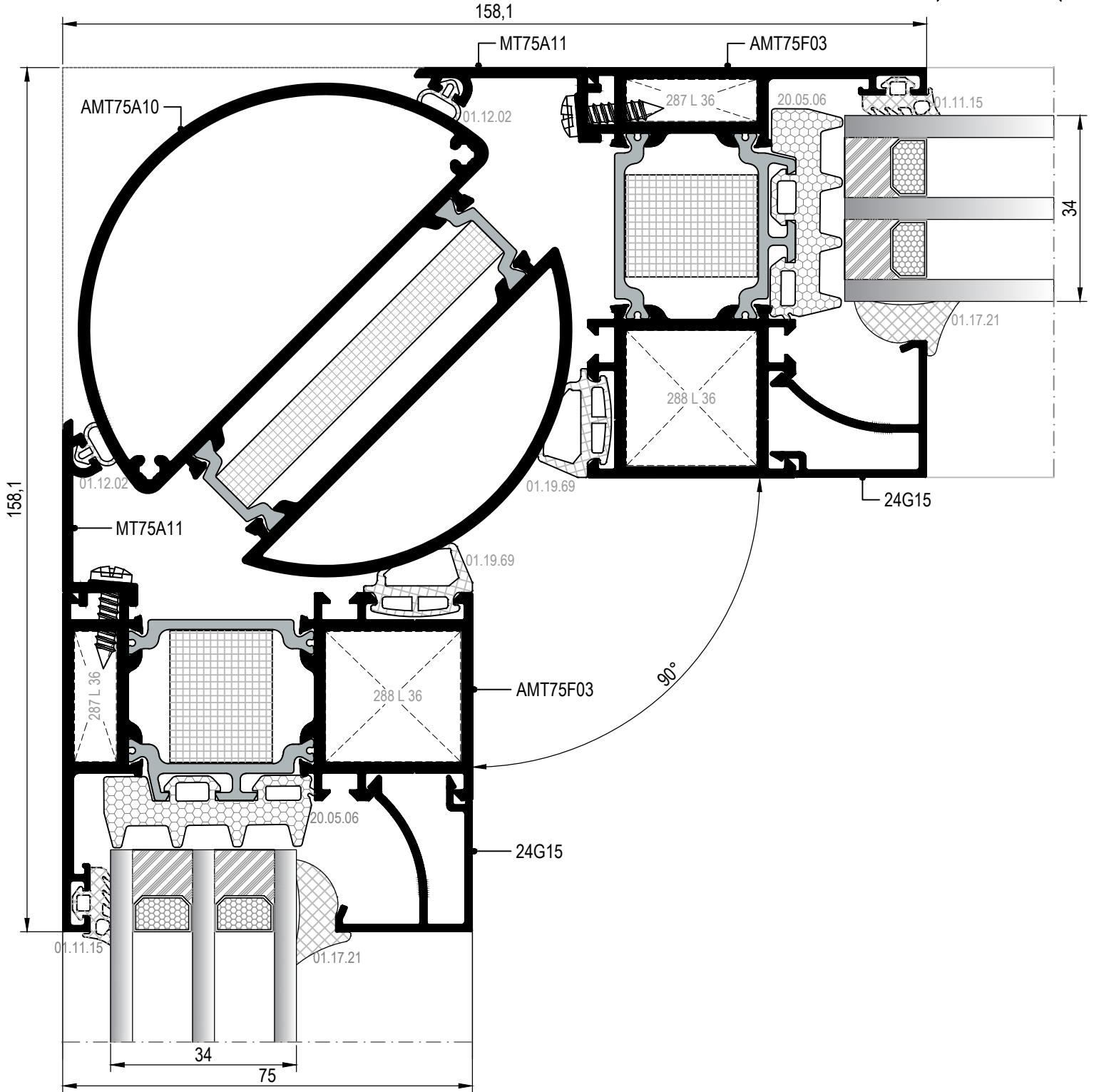
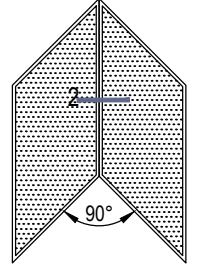
**CORNER DETAILS**

KÖŞE DÖNÜŞ DETAYLARI 90°  
CORNER DETAILS 90°



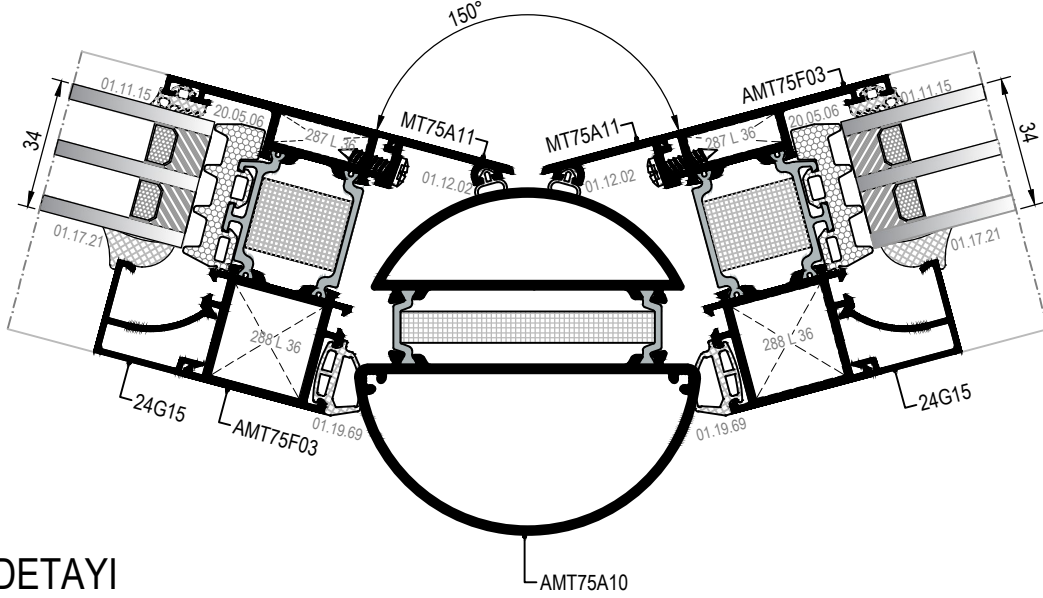
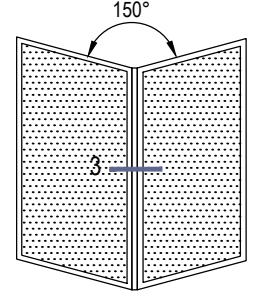
① DETAYI  
DETAIL

90°-150° ARASI DIŞBÜKEY AYARLANABİLİR KÖŞE DETAYI  
CORNER DETAILS 90°-150°



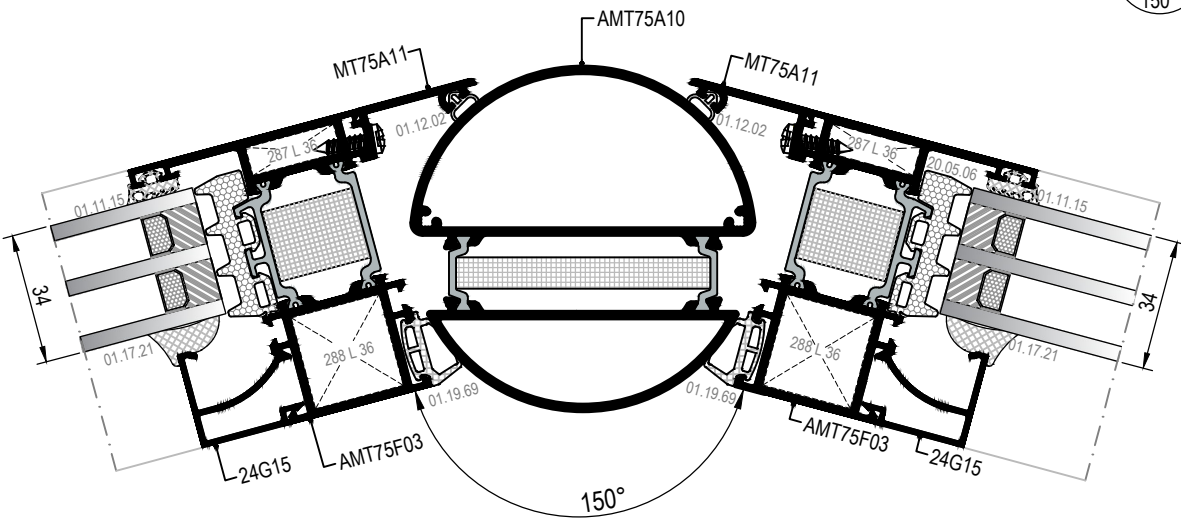
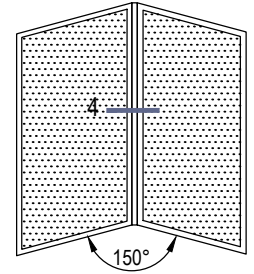
② DETAYI  
DETAIL

150°-180° ARASI İÇBÜKEY AYARLANABİLİR KÖŞE DETAYI  
CORNER DETAILS 150°-180°



③ DETAYI  
DETAIL

90°-150° ARASI DIŞBÜKEY AYARLANABİLİR KÖŞE DETAYI  
CORNER DETAILS 90°-150°



④ DETAYI  
DETAIL

ÖLÇEK/scale: 1/2


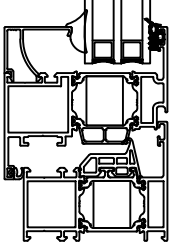

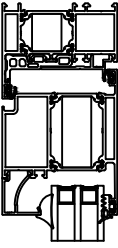

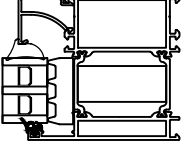

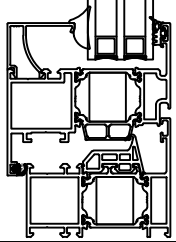

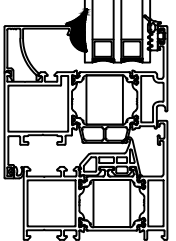

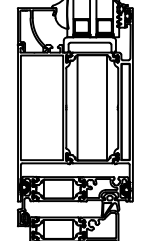

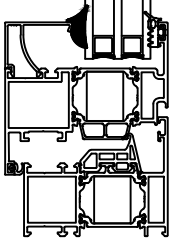
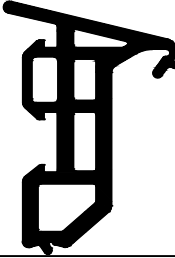
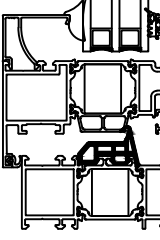

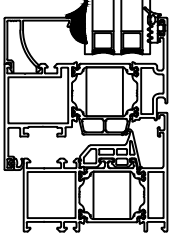

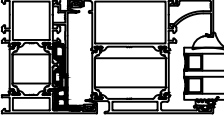

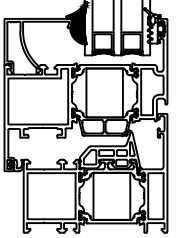

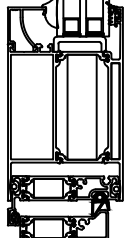

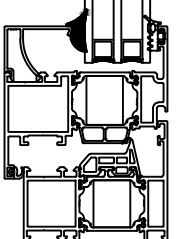
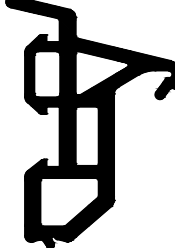
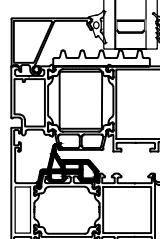
**MİMARİ KATALOG**  
ARCHITECTURAL CATALOGUE



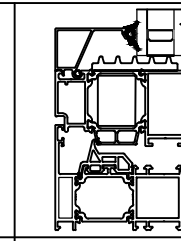
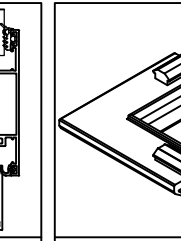


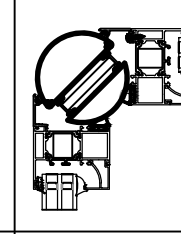
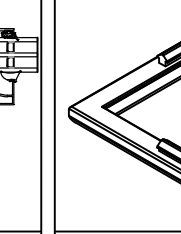
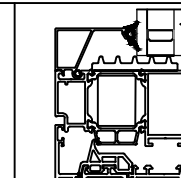
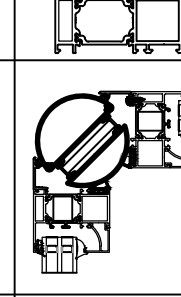
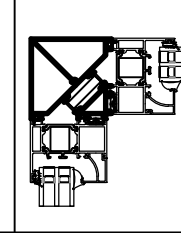
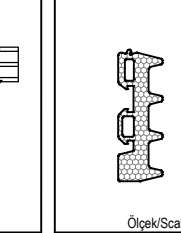
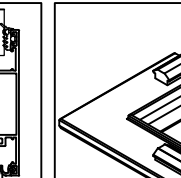
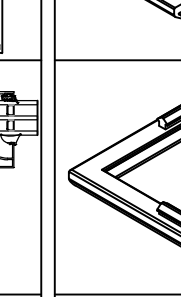
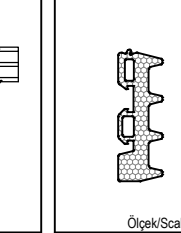
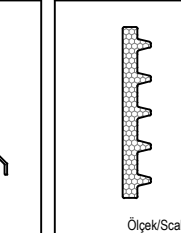

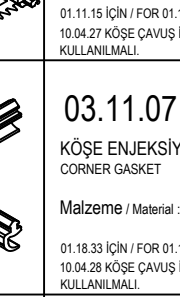
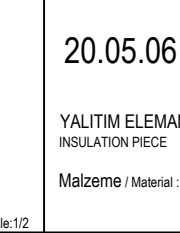
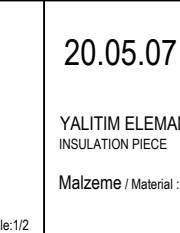
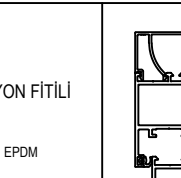
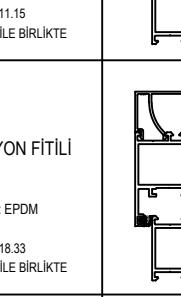
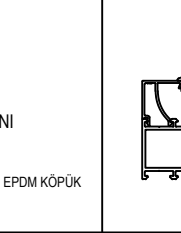
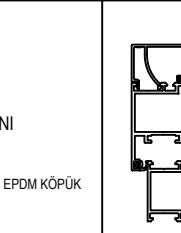
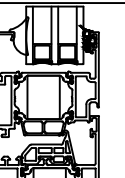
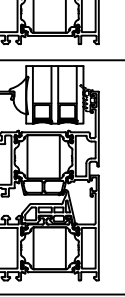
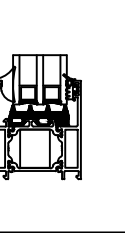
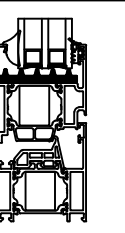
**Alüminyum Kapı ve Pencere Sistemleri**  
Aluminium Door and Window Systems

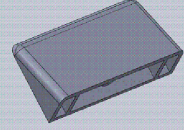
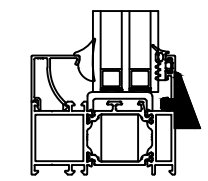
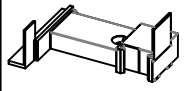
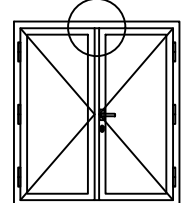
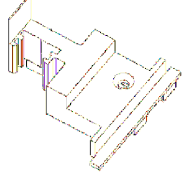
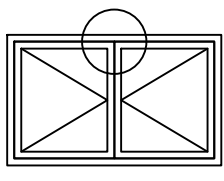
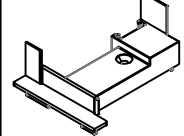
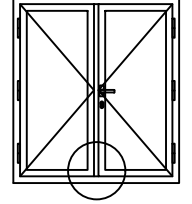
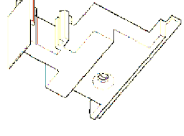
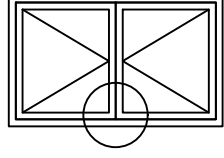
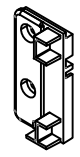
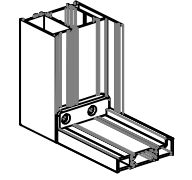
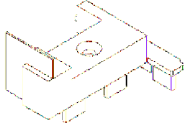
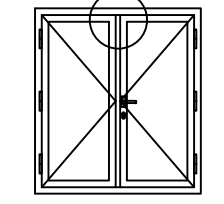
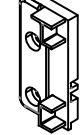
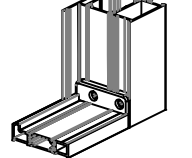
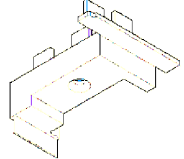
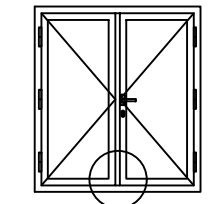

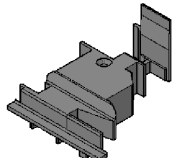
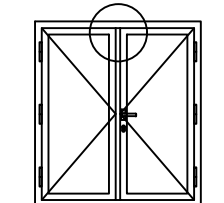
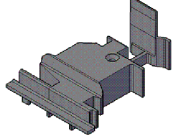
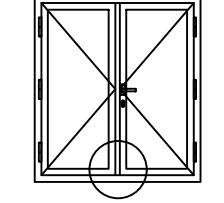
# RWT75


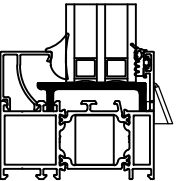

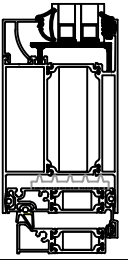
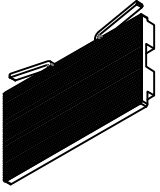
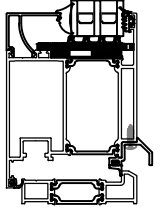
**AKSESUARLAR**

**ACCESSORIES**

	<p><b>01.11.15</b> DİŞ CAM FİTİLİ 4 mm OUTSIDE GLAZING GASKET 4 mm</p> <p>Malzeme / Material : EPDM Ağırlık / Weight : 81 gr/m Paket / Package : 185 m / 15 kg</p>			<p><b>01.18.32</b> BİNİ FİTİLİ ACOUSTICAL GASKET</p> <p>Malzeme / Material : EPDM Ağırlık / Weight : 35 gr/m Paket / Package : 428m / 15 kg</p>	
	<p><b>01.11.22</b> DİŞ CAM FİTİLİ OUTSIDE GLAZING GASKET</p> <p>Malzeme / Material : EPDM Ağırlık / Weight : 42 gr/m Paket / Package : 357 m / 15 kg <small>PARALEL SÜRME AMT75F07 PROFİLİ İÇİN FOR PARALLEL SLIDING AMT75F07 PROFILE</small></p>			<p><b>01.18.33</b> İÇ BİNİ FİTİLİ ACOUSTICAL GASKET</p> <p>Malzeme / Material : EPDM Ağırlık / Weight : 30 gr/m Paket / Package : 500m / 15 kg</p>	
	<p><b>01.17.05</b> İÇ CAM FİTİLİ 4,6 mm INSIDE GLAZING GASKET 4,6 mm</p> <p>Malzeme / Material : EPDM Ağırlık / Weight : 89 gr/m Paket / Package : 168 m / 15 kg</p>			<p><b>01.19.33</b> ADAPTÖR FİTİLİ ADAPTER GASKET</p> <p>Malzeme / Material : EPDM Ağırlık / Weight : 40 gr/m Paket / Package : 375 m / 15 kg</p>	
	<p><b>01.17.14</b> İÇ CAM FİTİLİ 5mm INSIDE GLAZING GASKET 5mm</p> <p>Malzeme / Material : EPDM Ağırlık / Weight : 100 gr/m Paket / Package : 150 m / 15 kg</p>			<p><b>01.19.47</b> ADAPTÖR FİTİLİ ADAPTER GASKET</p> <p>Malzeme / Material : EPDM Ağırlık / Weight : 290 gr/m Paket / Package : 51 m / 15 kg</p>	
	<p><b>01.17.15</b> İÇ CAM FİTİLİ 6mm INSIDE GLAZING GASKET 6mm</p> <p>Malzeme / Material : EPDM Ağırlık / Weight : 118 gr/m Paket / Package : 127m / 15 kg</p>		 <p>Ölçek/Scale:1/2</p>	<p><b>01.19.48</b> ADAPTÖR FİTİLİ ADAPTER GASKET</p> <p>Malzeme / Material : EPDM Ağırlık / Weight : 305 gr/m Paket / Package : 49 m / 15 kg</p>	
	<p><b>01.17.20</b> İÇ CAM FİTİLİ 2,7mm INSIDE GLAZING GASKET 2,7mm</p> <p>Malzeme / Material : EPDM Ağırlık / Weight : 52 gr/m Paket / Package : 288 m / 15 kg</p>			<p><b>01.20.06</b> EŞİK FİTİLİ THRESHOLD GASKET</p> <p>Malzeme / Material : EPDM Ağırlık / Weight : 86 gr/m Paket / Package : 174m / 15 kg</p>	
	<p><b>01.17.21</b> İÇ CAM FİTİLİ 6,5mm INSIDE GLAZING GASKET 6,5mm</p> <p>Malzeme / Material : EPDM Ağırlık / Weight : 155 gr/m Paket / Package : 96 m / 15 kg</p>			<p><b>01.19.66</b> ADAPTÖR FİTİLİ ADAPTER GASKET</p> <p>Malzeme / Material : EPDM Ağırlık / Weight : 254 gr/m Paket / Package : 59m / 15 kg</p>	

	<b>01.RES.06</b> ADAPTÖR FİTİLİ ADAPTER GASKET Malzeme / Material : EPDM Ağırlık / Weight : 74 gr/m Paket / Package: 202m / 15 kg			<b>03.11.06</b> KÖŞE ENJEKSİYON FİTİLİ CORNER GASKET Malzeme / Material : EPDM 01.11.15 İÇİN / FOR 01.11.15 10.04.27 KÖŞE ÇAVUŞU İLE BİRLİKTE KULLANILMALI.	
	<b>01.19.69</b> KÖŞE DÖNÜŞ FİTİLİ CORNER GASKET Malzeme / Material : EPDM Ağırlık / Weight : 128 gr/m Paket / Package: 117 m / 15 kg			<b>03.11.07</b> KÖŞE ENJEKSİYON FİTİLİ CORNER GASKET Malzeme / Material : EPDM 01.18.33 İÇİN / FOR 01.18.33 10.04.28 KÖŞE ÇAVUŞU İLE BİRLİKTE KULLANILMALI.	
	<b>01.19.70</b> KÖŞE DÖNÜŞ FİTİLİ CORNER GASKET Malzeme / Material : EPDM Ağırlık / Weight : 43 gr/m Paket / Package: 348 m / 15 kg			<b>20.05.06</b> YALITIM ELEMANI INSULATION PIECE Malzeme / Material : EPDM KÖPÜK Ölçek/Scale:1/2	
	<b>01.20.09</b> EŞİK FİTİLİ THRESHOLD GASKET Malzeme / Material : EPDM Ağırlık / Weight : 36 gr/m Paket / Package: 416 m / 15 kg			<b>20.05.07</b> YALITIM ELEMANI INSULATION PIECE Malzeme / Material : EPDM KÖPÜK Ölçek/Scale:1/2	
	<b>01.24.01</b> ÇITA FİTİLİ GLAZING BEAD GASKET Malzeme / Material : EPDM Ağırlık / Weight : 10 gr/m Paket / Package: 1500 m / 15 kg			<b>20.05.08</b> YALITIM ELEMANI INSULATION PIECE Malzeme / Material : EPDM KÖPÜK Ölçek/Scale:1/2	
	<b>03.11.03</b> KÖŞE ENJEKSİYON FİTİLİ CORNER GASKET Malzeme / Material : EPDM 01.19.47 İÇİN / FOR 01.19.47			<b>10.04.27</b> KÖŞE ÇAVUŞU CORNER CLEAT Malzeme: Paslanmaz Çelik Material : Stainless Steel Ölçek/Scale: 1/2	
	<b>03.11.05</b> KÖŞE ENJEKSİYON FİTİLİ CORNER GASKET Malzeme / Material : EPDM 01.19.66 İÇİN / FOR 01.19.66			<b>10.04.28</b> KÖŞE ÇAVUŞU CORNER CLEAT Malzeme: Paslanmaz Çelik Material : Stainless Steel Ölçek/Scale: 1/2	

	<b>04.02.07</b> TAHLİYE KAPAĞI DRAINAGE COVER Malzeme / Material : PVC Renk / Colour : Siyah-Beyaz-Gri Black-White-Grey			<b>04.06.86A</b> ADAPTÖR KAPAĞI (ÜST) ADAPTER CAP (UP) Malzeme / Material : PVC Renk / Colour : Siyah / Black	 UYGULANILAN PROFİL: AMT75DA06 USE WITH: AMT75DA06
	<b>04.06.62</b> ADAPTÖR KAPAĞI (ÜST) ADAPTER CAP (UP) Malzeme / Material : PVC Renk / Colour : Siyah / Black	 UYGULANILAN PROFİL: AMT75A 04 USE WITH: AMT75A04		<b>04.06.86B</b> ADAPTÖR KAPAĞI (ALT) ADAPTER CAP (DOWN) Malzeme / Material : PVC Renk / Colour : Siyah / Black	 UYGULANILAN PROFİL: AMT75DA06 USE WITH: AMT75DA06
	<b>04.06.63</b> ADAPTÖR KAPAĞI (ALT) ADAPTER CAP (DOWN) Malzeme / Material : PVC Renk / Colour : Siyah / Black	 UYGULANILAN PROFİL: AMT75A 04 USE WITH: AMT75A04		<b>04.13.09A</b> BİRLEŞİM PARÇASI (SOL) JOINT PIECE (LEFT) Malzeme / Material : PVC Renk / Color : Siyah / Black	
	<b>04.06.64</b> ADAPTÖR KAPAĞI (ÜST) ADAPTER CAP (UP) Malzeme / Material : PVC Renk / Colour : Siyah / Black	 UYGULANILAN PROFİL: AMT75DA01 ve DA02 USE WITH: AMT75DA01 ve DA02		<b>04.13.09B</b> BİRLEŞİM PARÇASI (SAĞ) JOINT PIECE (RIGHT) Malzeme / Material : PVC Renk / Color : Siyah / Black	
	<b>04.06.65</b> ADAPTÖR KAPAĞI (ALT) ADAPTER CAP (DOWN) Malzeme / Material : PVC Renk / Colour : Siyah / Black	 UYGULANILAN PROFİL: AMT75DA01 ve DA02 USE WITH: AMT75DA01 ve DA02		<b>10.10.01</b> MONTAJ LAMASI (140mm) LAMA FOR ASSEMBLY (140mm)	
	<b>04.06.82</b> ADAPTÖR KAPAĞI (ÜST) ADAPTER CAP (UP) Malzeme / Material : PVC Renk / Colour : Siyah / Black	 UYGULANILAN PROFİL: AMT75A05 USE WITH: AMT75A05			
	<b>04.06.83</b> ADAPTÖR KAPAĞI (ALT) ADAPTER CAP (DOWN) Malzeme / Material : PVC Renk / Colour : Siyah / Black	 UYGULANILAN PROFİL: AMT75A05 USE WITH: AMT75A05			

 Ölçek/Scale: $\frac{1}{2}$	<b>11.02.36</b> CAM TAKOZU GLASS SUPPORT Malzeme / Material : PVC Renk / Color : Siyah / Black				
 Ölçek/Scale: $\frac{1}{2}$	<b>11.02.37</b> CAM TAKOZU GLASS SUPPORT Malzeme / Material : PVC Renk / Color : Siyah / Black				
	<b>11.02.43</b> CAM TAKOZU GLASS SUPPORT Malzeme / Material : PVC Renk / Color : Siyah / Black AMT75V09-AMT75DV09 İÇİN FOR AMT75V09-AMT75DV09				

## PENCERE MENTEŞELERİ / WINDOW HINGES

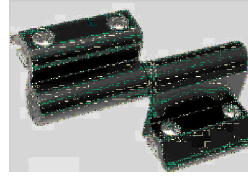


15.01.16

GIESSE PENCERE MENTEŞESİ  
GIESSE HINGE FOR WINDOWS

Renk / Colour : Siyah-Beyaz-Gri-Eloksal  
Black-White-Grey-Anodised

75 kg için 2 adet, 85 kg için 3 adet kullanılmalıdır. / Should be used 2 for 75 kg,3 for 85 kg.  
EN 1935:2002

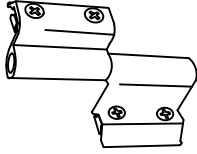


15.01.03

RESCARA PENCERE MENTEŞESİ  
RESCARA HINGE FOR WINDOWS

Renk / Colour : Pres-Eloksal  
Press-Anodised

75 kg için 2 adet, 85 kg için 3 adet kullanılmalıdır. / Should be used 2 for 75 kg,3 for 85 kg.  
EN 1935:2002

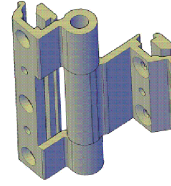


15.01.08

YERLİ PENCERE MENTEŞESİ  
LOCAL HINGE FOR WINDOWS

Renk / Colour : Siyah-Beyaz-Gri-Eloksal  
Black-White-Grey-Anodised

50 kg için 2 adet kullanılmalıdır. / Should be used 2 for 50 kg.  
Max. kanat ölçüsü 900x1300 / Max. vent dimension 900x1300  
TS EN 1935



15.01.12

YERLİ PENCERE MENTEŞESİ  
LOCAL HINGE FOR WINDOWS

Renk / Colour : Siyah-Beyaz-Gri-Eloksal  
Black-White-Grey-Anodised

TS EN 1935



15.01.17

GIESSE GİZLİ PENCERE MENTEŞESİ (SAĞ)  
GIESSE HIDDEN HINGE FOR WINDOWS (RIGHT)

Malzeme / Material : Paslanmaz Çelik  
Stainless Steel

100 kg için 2 adet kullanılmalıdır. / Should be used 2 for 100 kg.

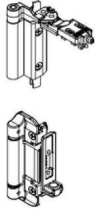


15.01.18

GIESSE GİZLİ PENCERE MENTEŞESİ (SOL)  
GIESSE HIDDEN HINGE FOR WINDOWS (LEFT)

Malzeme / Material : Paslanmaz Çelik  
Stainless Steel

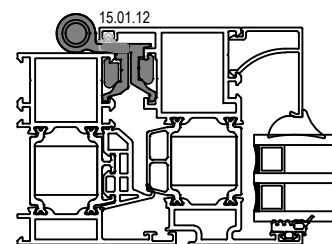
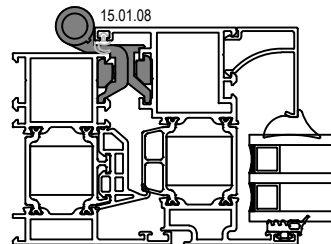
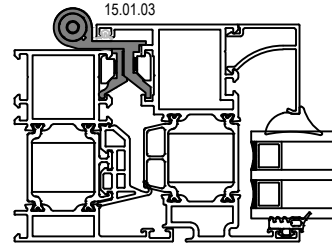
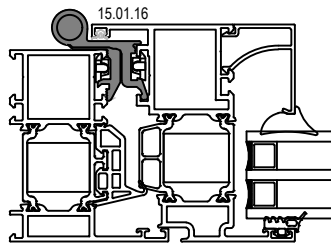
100 kg için 2 adet kullanılmalıdır. / Should be used 2 for 100 kg.



15.01.20

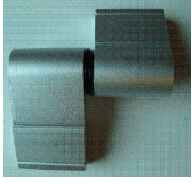
RESCARA PASİF KANAT MENTEŞESİ  
RESCARA PASSIVE LEAF HINGE

Renk / Colour : Siyah-Beyaz-Gri-Eloksal  
Black-White-Grey-Anodized



Ölçek/Scale: 1/3

## KAPI MENTEŞELERİ / DOOR HINGES



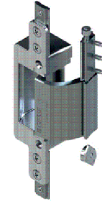
15.02.07

YERLİ KAPI MENTEŞESİ

LOCAL HINGE FOR DOORS

Renk / Colour : Siyah-Beyaz-Gri-Eloksal  
Black-White-Grey-Anodized

100 kg için 2 adet kullanılmalıdır. / Should be used 2 for 100 kg.  
Max. kanat ölçüsü 900x2200. / Max. vent dimension 900x2200  
TS EN 1935



15.02.44

GIESSE GİZLİ KAPI MENTEŞESİ  
GIESSE HINGE FOR DOORS

Renk / Colour : Siyah-Gri  
Black-Grey

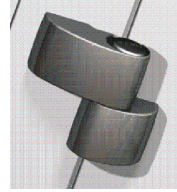


15.02.18

GIESSE KAPI MENTEŞESİ  
GIESSE DOMINA HINGE FOR DOORS

Renk / Colour : Siyah-Beyaz-Eloksal  
Black-White-Anodised

160 kg için 2 adet, 180 kg için 3 adet kullanılmalıdır. / Should be used 2 for 160 kg,3 for 180 kg.  
EN 1935

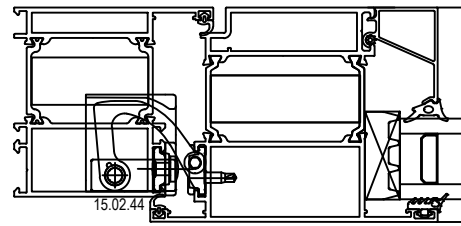
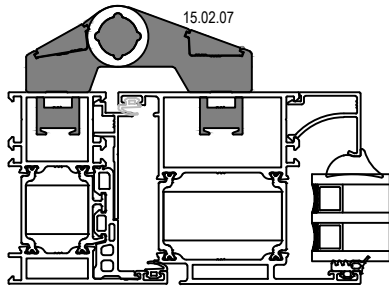
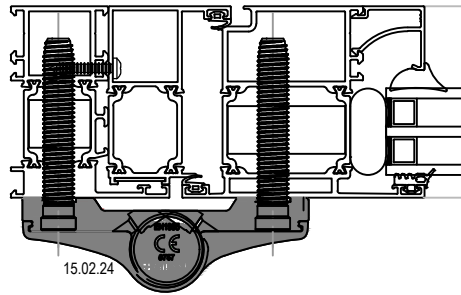
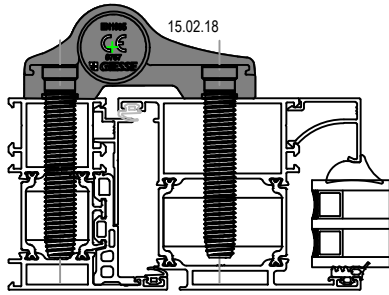


15.02.24

GIESSE KAPI MENTEŞESİ  
GIESSE DOMINA HINGE FOR DOORS

Renk / Colour : Siyah-Beyaz-Eloksal  
Black-White-Anodised

160 kg için 2 adet, 180 kg için 3 adet kullanılmalıdır. / Should be used 2 for 160 kg,3 for 180 kg.  
EN 1935



Ölçek/Scale: 1/3

H < 2500			H ≥ 2500		
120kg	135kg	150kg	120kg	135kg	150kg
⊕TAVSİYE EDİLEN / RECOMMENDED					

\*\* YATAYDA +/-2MM, DÜŞEYDE -2/+4MM AYAR İMKANI

\*\* +/-2MM HORIZONTAL, -2/+4MM VERTICAL ADJUSTMENT OPPORTUNITY

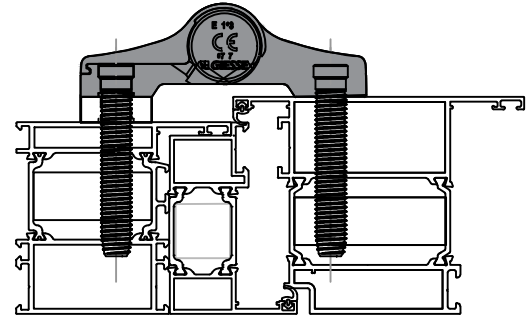
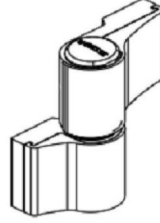
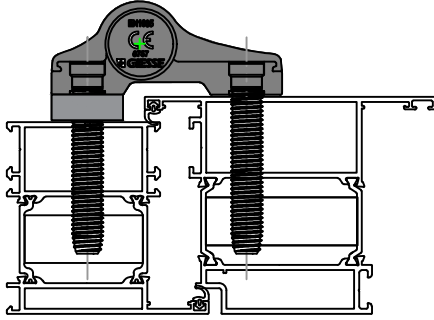
\*\* 105° YE KADAR AÇILIM (KANADIN KASAYA ÇARPMAMASI İÇİN 90DERECEDEN SONRA LİMİTLEME MAKASI 07.07.08 ÖNERİLMEKTEDİR.)

\*\* OPENING UP TO 105°(LIMITER WITH CODE 07.07.08 IS RECOMMENDED AFTER 90DEGREES IN ORDERS THAT THE SASH

\*\* İÇE VEYA DIŞA AÇILIM İMKANI

\*\* OPPORTUNITY OF INWARD AND OUTWARD OPENING

GIESSE 2YAPRAKLI KAPI MENTEŞELERİ / GIESSE 2LEAF DOOR HINGES

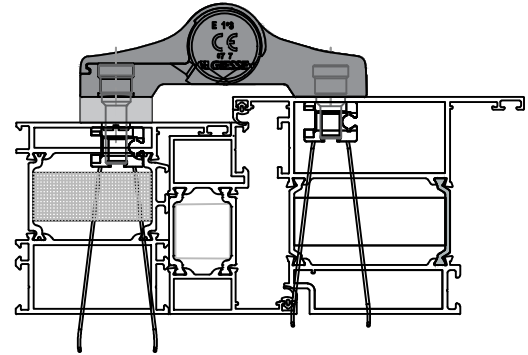
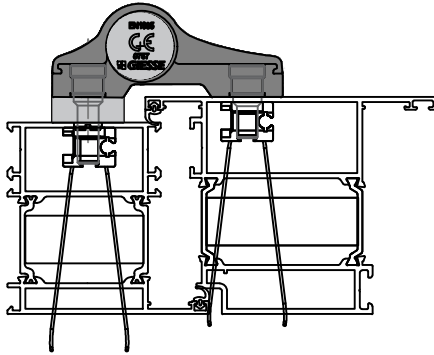


ASAŞ KODU ASAS CODE	AÇIKLAMA INTRODUCTION	ADET QTY
15.02.001	Binili İçe-Dışa Açılır Kapı Menteşe Gövdesi 62,5 mm Stepped Face Inward-Outward Opening Door Hinge 62,5 mm	1
15.02.004	Direkt Yüzey Montaj Vidası 75 mm Direct Surface Mounting Kit 75 mm	4
15.02.016	10 mm Yüzüksüz Bini Parçası 10 mm Stepped Piece Without Bushes	1

140 kg için 2 adet, 160 kg için 3 adet kullanılmalıdır. / Should be used 2 for 140 kg,3 for 160 kg.  
EN 1935

ASAŞ KODU ASAS CODE	AÇIKLAMA INTRODUCTION	ADET QTY
15.02.002	Binili İçe-Dışa Açılır Kapı Menteşe Gövdesi 84 mm Stepped Face Inward-Outward Opening Door Hinge 84 mm	1
15.02.004	Direkt Yüzey Montaj Vidası 75 mm Direct Surface Mounting Kit 75 mm	4
15.02.016	10 mm Yüzüksüz Bini Parçası 10 mm Stepped Piece Without Bushes	1

120 kg için 2 adet, 140 kg için 3 adet kullanılmalıdır. / Should be used 2 for 120 kg,3 for 140 kg.  
EN 1935



ASAŞ KODU ASAS CODE	AÇIKLAMA INTRODUCTION	ADET QTY
15.02.001	Binili İçe-Dışa Açılır Kapı Menteşe Gövdesi 62,5 mm Stepped Face Inward-Outward Opening Door Hinge 62,5 mm	1
15.02.003	Profil İç Destekli Bağlantı Kiti Mounting Kit With Counter Plate	1
15.02.008	10 mm Yüzüklü Bini Parçası 10 mm Stepped Piece With Bushes	1

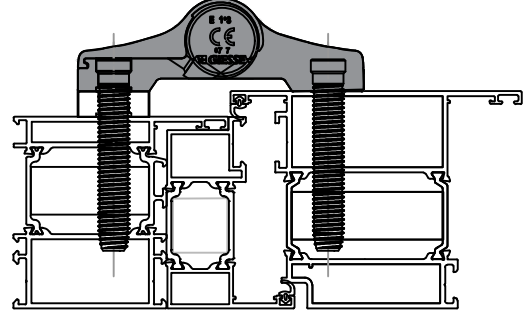
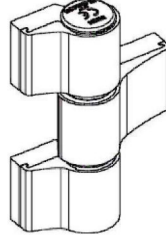
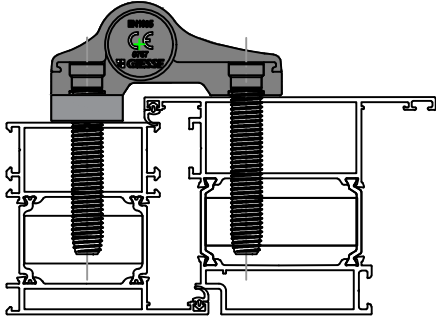
160 kg için 2 adet, 180 kg için 3 adet kullanılmalıdır. / Should be used 2 for 160 kg,3 for 180 kg.  
EN 1935

ASAŞ KODU ASAS CODE	AÇIKLAMA INTRODUCTION	ADET QTY
15.02.002	Binili İçe-Dışa Açılır Kapı Menteşe Gövdesi 84 mm Stepped Face Inward-Outward Opening Door Hinge 84 mm	1
15.02.003	Profil İç Destekli Bağlantı Kiti Mounting Kit With Counter Plate	1
15.02.008	10 mm Yüzüklü Bini Parçası 10 mm Stepped Piece With Bushes	1

120 kg için 2 adet, 140 kg için 3 adet kullanılmalıdır. / Should be used 2 for 120 kg,3 for 140 kg.  
EN 1935

Ölçek/Scale: 1/3

## GIESSE 3YAPRAKLI KAPI MENTEŞELERİ / GIESSE 3LEAF DOOR HINGES

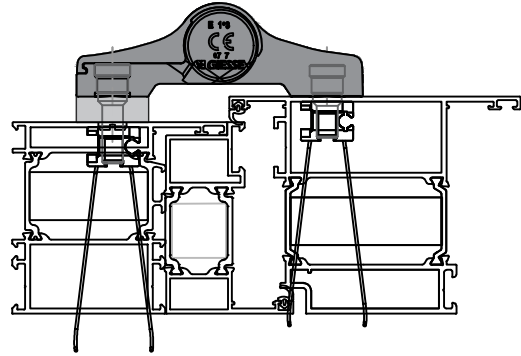
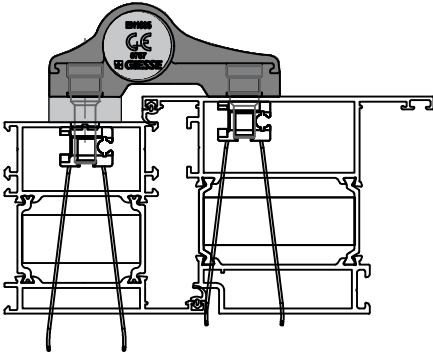


ASAŞ KODU ASAS CODE	AÇIKLAMA INTRODUCTION	ADET QTY
15.02.013	3Yapraklı Binili İçe-Dışa Aç.K.Menteşe Gö.62,5 mm 3 Leaf Stepped Face Inward-Outward Opening Door Hinge 62,5 mm	1
15.02.004	Direkt Yüzey Montaj Vidası 75 mm Direct Surface Mounting Kit 65 mm	6
15.02.016	10 mm Yüzüksüz Bini Parçası 10 mm Stepped Piece Without Bushes	2

160 kg için 2 adet, 180 kg için 3 adet kullanılmalıdır. / Should be used 2 for 160 kg,3 for 180 kg.

ASAŞ KODU ASAS CODE	AÇIKLAMA INTRODUCTION	ADET QTY
15.02.017	3Yapraklı Binili İçe-Dışa Aç.K.Menteşe Gö.84 mm 3 Leaf Stepped Face Inward-Outward Opening Door Hinge 84 mm	1
15.02.004	Direkt Yüzey Montaj Vidası 75 mm Direct Surface Mounting Kit 65 mm	6
15.02.016	10 mm Yüzüksüz Bini Parçası 10 mm Stepped Piece Without Bushes	2

120 kg için 2 adet, 140 kg için 3 adet kullanılmalıdır. / Should be used 2 for 120 kg,3 for 140 kg.  
EN 1935



ASAŞ KODU ASAS CODE	AÇIKLAMA INTRODUCTION	ADET QTY
15.02.013	3Yapraklı Binili İçe-Dışa Aç.K.Menteşe Gö.62,5 mm 3 Leaf Stepped Face Inward-Outward Opening Door Hinge 62,5 mm	1
15.02.020	Profil İçi Destekli Bağlantı Kiti Mounting Kit With Counter Plate	1
15.02.008	10 mm Yüzüklü Bini Parçası 10 mm Stepped Piece With Bushes	2

180 kg için 2 adet, 200 kg için 3 adet kullanılmalıdır. / Should be used 2 for 180 kg,3 for 200 kg.  
EN 1935

ASAŞ KODU ASAS CODE	AÇIKLAMA INTRODUCTION	ADET QTY
15.02.017	3Yapraklı Binili İçe-Dışa Aç.K.Menteşe Gö.84 mm 3 Leaf Stepped Face Inward-Outward Opening Door Hinge 84 mm	1
15.02.020	Profil İçi Destekli Bağlantı Kiti Mounting Kit With Counter Plate	1
15.02.008	10 mm Yüzüklü Bini Parçası 10 mm Stepped Piece With Bushes	2

140 kg için 2 adet, 160 kg için 3 adet kullanılmalıdır. / Should be used 2 for 140 kg,3 for 160 kg.  
EN 1935

## KAPI MENTEŞELERİ / DOOR HINGES



**15.02.20**

RESCARA KAPI MENTEŞESİ  
RESCARA HINGE FOR DOORS  
Renk / Colour : Siyah-Beyaz-Gri-Pres-Eloksal  
Black-White-Grey-Press-Anodized

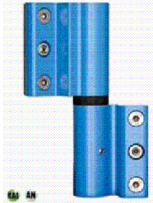
120 kg için 2 adet kullanılmalıdır. / Should be used 2 for 120 kg.  
TS EN 1935



**15.02.09**

YERLİ KAPI MENTEŞESİ  
LOCAL HINGE FOR DOORS  
Renk / Colour : Siyah-Beyaz-Gri-Eloksal  
Black-White-Grey-Anodized

85 kg için 3 adet kullanılmalıdır. / Should be used 3 for 85 kg.  
Max. kanat ölçüsü 900x2200 / Max. vent dimension 900x2200  
TS EN 1935



**15.02.21**

RESCARA KAPI MENTEŞESİ  
RESCARA HINGE FOR DOORS  
Renk / Colour : Siyah-Beyaz-Gri-Pres-Eloksal  
Black-White-Grey-Press-Anodized

160 kg için 2 adet kullanılmalıdır. / Should be used 2 for 160 kg.  
TS EN 1935



**15.02.61**

HEMYÜZ KAPILAR İÇİN SİLİNDİRİK MENTEŞE  
ROLLENBAND HINGE FOR COPLANAR DOORS  
Renk / Colour : Siyah-Ham-Boyalı  
Black-Raw-Coloured

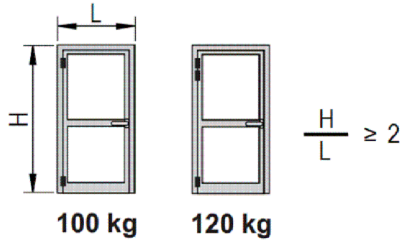
160 kg için 2 adet, 180 kg için 3 adet kullanılmalıdır. / Should be used 2 for 160 kg, 3 for 180 kg.  
EN 1935



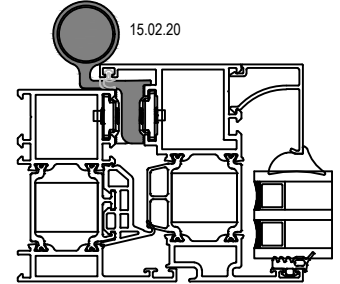
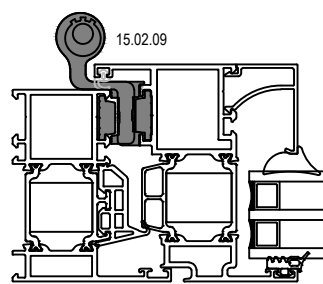
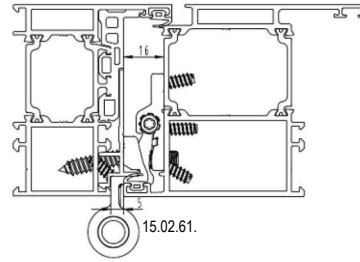
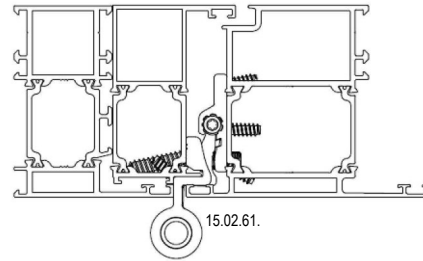
**15.02.14**

GIESSE KAPI MENTEŞESİ  
GIESSE HINGE FOR DOORS  
Renk / Colour : Siyah-Beyaz-Eloksal  
Black-White-Anodised

100 kg için 2 adet, 120 kg için 3 adet kullanılmalıdır. / Should be used 2 for 100 kg, 3 for 120 kg.  
EN 1935

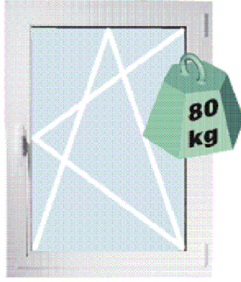


KNT. YÜKSEKLİĞİ / SASH HEIGHT KNT. GENİŞLİĞİ / SASH WIDTH	KANAT AĞIRLIĞI SASH WEIGHT
$\frac{H}{L} = 1.9$	Max (- 10%)
$\frac{H}{L} = 1.8$	Max (- 20%)
= ...	Max (- ...%)
$\frac{H}{L} \leq 1$	UYGULANAMAZ NA



Ölçek/Scale: 1/3

ÇİFT EKSEN MEKANİZMALARI // TILT & TURN MECHANISMS



GIESSE FUTURA ÇİFT AÇILIM SETİ 80 kg  
GIESSE FUTURA TILT & TURN MECHANISM 80 kg

Renk / Colour : Siyah-Beyaz-Gri  
Black-White-Grey

ADET NUMBER	07.06.001 MEKANİZMA MECHANISM	07.06.002 MENTEŞE SETİ HINGE KIT	07.06.003 TİP1 MAKAS TYPE1 ARM	07.06.004 TİP2 MAKAS TYPE2 ARM	07.06.005 KOL HANDLE	07.06.006 İLAVE KİLİTLEME ADDITIONAL LOCKING	07.06.007 İLAVE MAKAS ADDITIONAL ARM
L: 410-569mm H: 600-1200mm	1	1	1	---	1	---	---
L: 410-569mm H: 1201-2500mm	1	1	1	---	1	1	---
L: 570-1000mm H: 600-1200mm	1	1	---	1	1	---	---
L: 570-1000mm H: 1201-2500mm	1	1	---	1	1	1	---
L: 1001-1700mm H: 600-1200mm	1	1	---	1	1	1	1
L: 1001-1700mm H: 1201-2500mm	1	1	---	1	1	2	1



GIESSE FUTURA ÇİFT AÇILIM SETİ 130 kg  
GIESSE FUTURA TILT & TURN MECHANISM 130 kg

Renk / Colour : Siyah-Beyaz-Gri  
Black-White-Silver

ADET NUMBER	07.06.001 MEKANİZMA MECHANISM	07.06.016 MENTEŞE SETİ HINGE KIT	07.06.013 TİP1 MAKAS TYPE1 ARM	07.06.014 TİP2 MAKAS TYPE2 ARM	07.06.005 KOL HANDLE	07.06.006 İLAVE KİLİTLEME ADDITIONAL LOCKING	07.06.007 İLAVE MAKAS ADDITIONAL ARM
L: 410-700mm H: 600-1200mm	1	1	1	---	1	---	---
L: 410-700mm H: 1201-3000mm	1	1	1	---	1	1	---
L: 701-1000mm H: 600-1200mm	1	1	---	1	1	---	---
L: 701-1000mm H: 1201-3000mm	1	1	---	1	1	1	---
L: 1001-1800mm H: 600-1200mm	1	1	---	1	1	1	1
L: 1001-1800mm H: 1201-3000mm	1	1	---	1	1	2	1

ÇİFT EKSEN MEKANİZMALARI / TILT & TURN MECHANISMS

	<p>RESCARA ÇİFT AÇILIM SETİ 130 kg RESCARA TILT &amp; TURN MECHANISM 130 kg Renk / Colour : Siyah-Beyaz-Gri Black-White-Grey</p>					
KANAT GENİŞLİĞİ SASH WIDTH L (mt)	KANAT YÜKSEKLİĞİ SASH HEIGHT H (mt)	KANAT AĞIRLIĞI SASH WEIGHT KG	MEKANİZMA MECHANISM	MAKAS ARM	İLAVE KİLİTLEME ADDITIONAL LOCKING	İLAVE MAKAS ADDITIONAL ARM
563-1000 mm	600-1200 mm	130 kg	07.06.79 veya 07.06.114	07.06.80	—	—
563-1000 mm	1200-2500 mm	130 kg	07.06.79 veya 07.06.114	07.06.80	07.06.76	—
1000-1700 mm	600-1200 mm	130 kg	07.06.79 veya 07.06.114	07.06.80	07.06.76	07.06.77
1000-1700 mm	1200-2500 mm	130 kg	07.06.79 veya 07.06.114	07.06.80	07.06.76 (2 ADET)	07.06.77

\*07.06.79 KODLU RESCARA ÇİFT AÇILIM MEKANİZMA İÇERİSİNE KOL DAHİLDİR.  
07.06.79 CODE RESCARA DOUBLE OPENING ARM IS INCLUDED IN THE MECHANISM.



\*07.06.114 KODLU HOLDLINE ÇİFT AÇILIM MEKANİZMA İÇERİSİNE KOL DAHİLDİR.  
07.06.114 CODE HOLDLINE DOUBLE OPENING ARM IS INCLUDED IN THE MECHANISM.



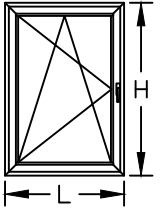
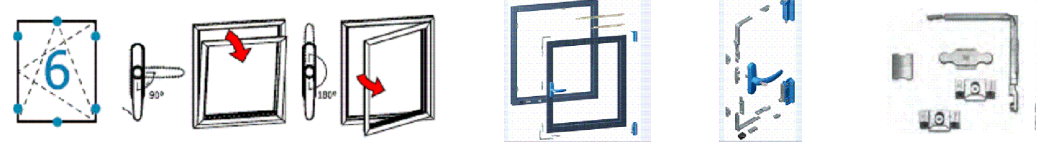
	<p>HOLDLINE ÇİFT AÇILIM SETİ 130 kg HOLDLINE TILT &amp; TURN MECHANISM 130 kg Renk / Colour : Siyah-Beyaz-Gri Black-White-Grey</p>						
KANAT GENİŞLİĞİ SASH WIDTH L (mt)	KANAT YÜKSEKLİĞİ SASH HEIGHT H (mt)	KANAT AĞIRLIĞI SASH WEIGHT KG	MEKANİZMA MECHANISM	MAKAS ARM	İLAVE KİLİTLEME ADDITIONAL LOCKING	İLAVE MAKAS ADDITIONAL ARM	KARE MİLLİ GEARBOX EXCLUDE SPINDLE GEARBOX
563-1000 mm	600-1200 mm	130 kg	07.06.115	07.06.80	—	—	07.25.16
563-1000 mm	1200-2500 mm	130 kg	07.06.115	07.06.80	07.06.76	—	07.25.16
1000-1700 mm	600-1200 mm	130 kg	07.06.115	07.06.80	07.06.76	07.06.77	07.25.16
1000-1700 mm	1200-2500 mm	130 kg	07.06.115	07.06.80	07.06.76 (2 ADET)	07.06.77	07.25.16

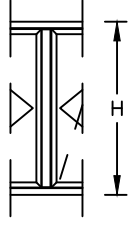
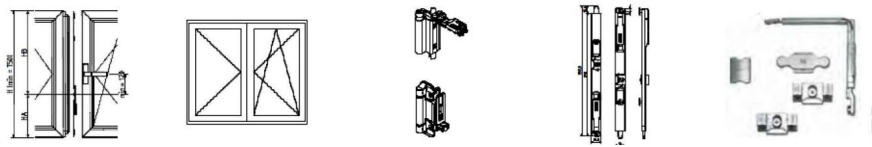
\*07.06.115 KODLU HOLDLINE ÇİFT AÇILIM MEKANİZMA İÇERİSİNE KOL DAHİLDİR.  
07.06.115 CODE HOLDLINE DOUBLE OPENING ARM IS INCLUDED IN THE MECHANISM.

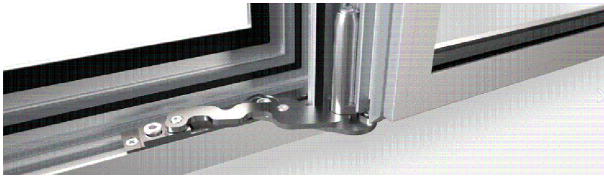


	<p>RESCARA ÇİFT KANAT AÇILIM SETİ PASİF KANAT 130 kg RESCARA TILT &amp; TURN DOUBLE CASEMENT MECHANISM PASSIVE LEAF 130 kg Renk / Colour : Siyah-Beyaz-Gri Black-White-Grey</p>					
KANAT GENİŞLİĞİ SASH WIDTH L (mt)	KANAT YÜKSEKLİĞİ SASH HEIGHT H (mt)	KANAT AĞIRLIĞI SASH WEIGHT KG	MENTEŞE HINGE	PASİF KİLİT PASSIVE LOCK	İLAVE KİLİTLEME ADDITIONAL LOCKING	İLAVE MAKAS ADDITIONAL ARM
563-1000 mm	600-1200 mm	130 kg	15.01.20	18.07.07	—	—
563-1000 mm	1200-2500 mm	130 kg	15.01.20	18.07.07	07.09.13	—
1000-1700 mm	600-1200 mm	130 kg	15.01.20	18.07.07	07.09.13	—
1000-1700 mm	1200-2500 mm	130 kg	15.01.20	18.07.07	07.09.13 (2 ADET)	—

## ÇİFT EKSEN MEKANİZMALARI / TILT & TURN MECHANISM

	<p>RESCARA AKILLI ÇİFT AÇILIM SETİ 130 kg / KOL ANAHTARLIDIR. RESCARA TBT TILT &amp; TURN MECHANISM 130 kg / HANDLE WITH KEYLOCK Renk / Colour : Siyah-Beyaz-Gri Black-White-Grey</p>					
						
KANAT GENİŞLİĞİ SASH WIDTH L (mt)	KANAT YÜKSEKLİĞİ SASH HEIGHT H (mt)	KANAT AĞIRLIĞI SASH WEIGHT KG	MEKANİZMA MECHANISM	MAKAS ARM	İLAVE KİLİTLEME ADDITIONAL LOCKING	İLAVE MAKAS ADDITIONAL ARM
563-1000 mm	600-1200 mm	130 kg	07.06.74 (TBT)	07.06.75 (TBT)	—	—
563-1000 mm	1200-2500 mm	130 kg	07.06.74 (TBT)	07.06.75 (TBT)	07.06.76	—
1000-1700 mm	600-1200 mm	130 kg	07.06.74 (TBT)	07.06.75 (TBT)	—	07.06.77
1000-1700 mm	1200-2500 mm	130 kg	07.06.74 (TBT)	07.06.75 (TBT)	07.06.76	07.06.77

	<p>RESCARA AKILLI ÇİFT KANAT AÇILIM SETİ PASİF KANAT 130 kg RESCARA TILT BEFORE TURN DOUBLE CASEMENT MECHANISM PASSIVE LEAF 130 kg Renk / Colour : Siyah-Beyaz-Gri Black-White-Grey</p>					
						
KANAT GENİŞLİĞİ SASH WIDTH L (mt)	KANAT YÜKSEKLİĞİ SASH HEIGHT H (mt)	KANAT AĞIRLIĞI SASH WEIGHT KG	MENTEŞE HINGE	PASİF KİLİT PASSIVE LOCK	İLAVE KİLİTLEME ADDITIONAL LOCKING	İLAVE MAKAS ADDITIONAL ARM
563-1000 mm	600-1200 mm	130 kg	15.01.20	18.07.07	—	—
563-1000 mm	1200-2500 mm	130 kg	15.01.20	18.07.07	07.09.13	—
1000-1700 mm	600-1200 mm	130 kg	15.01.20	18.07.07	07.09.13	—
1000-1700 mm	1200-2500 mm	130 kg	15.01.20	18.07.07	07.09.13 (2 ADET)	—



GIESSE GİZLİ MENTEŞE ÇİFT AÇILIM SETİ 100 kg  
GIESSE HIDDEN HINGE TILT & TURN MECHANISM 100 kg

Renk / Colour : Siyah-Beyaz-Gri  
Black-White-Grey

	ADET NUMBER	07.06.011 TİP2 MAKAS (SAĞ) TYPE2 ARM	07.06.012 TİP2 MAKAS (SOL) TYPE2 ARM	07.06.005 KOL HANDLE	07.06.001 MEKANİZMA MECHANISM	07.06.010 İLAVE KİLİTLEME ADDITIONAL LOCKING	07.06.007 İLAVE MAKAS ADDITIONAL ARM
SAĞ RIGHT	L: 600-1000mm H: 600-1200mm	1	---	1	1	---	---
	L: 600-1000mm H: 1201-2500mm	1	---	1	1	1	---
	L: 1001-1500mm H: 600-1200mm	1	---	1	1	1	1
	L: 1001-1500mm H: 1201-2500mm	1	---	1	1	2	1
SOL LEFT	L: 600-1000mm H: 600-1200mm	---	1	1	1	---	---
	L: 600-1000mm H: 1201-2500mm	---	1	1	1	1	---
	L: 1001-1500mm H: 600-1200mm	---	1	1	1	1	1
	L: 1001-1500mm H: 1201-2500mm	---	1	1	1	2	1

PVC KANAL İÇİN ÇİFT AÇILIM SETLERİ ( SAĞ ) / TILT AND TURN OPENING SETS FOR PVC CHANNEL ( RIGHT )

SAĞ / RIGHT			KANAT GENİŞLİĞİ / VENT WIDTH					
AÇIKLAMA DESCRIPTION	KANAT YÜKSEKLİĞİ VENT HEIGHT	KOD CODE	400-500 mm	501-750 mm	751-1000 mm	1001-1200 mm	1201-1450 mm	**1451-1600 mm
KANAT MAKAS SASH STAYS	480-2450 mm	07.30.004.	1					
		07.30.005.		1				
		07.30.006.			1			
		07.30.007.				1		
		07.30.008.					1	1
KASA MAKAS FRAME STAYS	480-2450 mm	07.30.033.	1					
		07.30.034.		1				
		07.30.035.			1	1		
		07.30.036.					1	1
ARKA KİLİTLEME LOCKING POINT HINGE SIDE	480-950 mm	07.30.016.				1		
		07.30.017.					1	
		07.30.018.						1
	951-1450 mm	07.30.016.	1	1	1	2	1	1
		07.30.017.					1	
		07.30.018.						1
	1451-1700 mm	07.30.016.				1		
		07.30.017.	1	1	1	1	2	1
		07.30.018.						1
	1701-1950 mm	07.30.016.				1		
		07.30.017.					1	
		07.30.018.	1	1	1	1	1	2
	1951-2450 mm	07.30.016.			1	1		
		07.30.017.					1	
		07.30.018.						1
07.30.019.		1	1	1	1	1	1	
İSPANYOLET ESPAGNOLETTE	480-590 mm	07.30.022.	1	1	1	1	1	1
	591-750 mm	07.30.023.	1	1	1	1	1	1
	751-1200 mm	07.30.024.	1	1	1	1	1	1
	1201-1450 mm	07.30.025.	1	1	1	1	1	1
	1451-1700 mm	07.30.028.	1	1	1	1	1	1
	1701-1950 mm	07.30.026.	1	1	1	1	1	1
	1951-2450 mm	07.30.027.	1	1	1	1	1	1
KİLİT KARŞILIK LOCKING PLATE	480-750 mm	07.27.011.	1	1	2	3	3	5
	751-950 mm	07.27.011.	2	2	3	4	4	6
	951-1450 mm	07.27.011.	3	3	4	6	6	8
	1451-1700 mm	07.27.011.	4	4	5	7	8	10
	1701-2450 mm	07.27.011.	5	5	6	8	8	10

AÇIKLAMA / DESCRIPTION	KOD / CODE	ADET / QUANTITY
KASA ALT MENTEŞE / FRAME BOTTOM HINGE	07.27.001.	1
KASA ÜST / ORTA MENTEŞE FRAME TOP / MIDDLE HINGE	07.27.006.	1
MENTEŞE PİMİ / HINGE PIN	07.27.007.	1
KÖŞE ELEMANI 1 GÜVENLİKLİ PİM / CORNER PIECE	07.30.001.	1
İSPANYOLET ALT PARÇA / ESPAGNOLETTE BOTTOM PIECE	07.30.002.	1
PİVOT KARŞILIK / PIVOT LOCKING PLATE	07.30.003.	1
KANAT BANT MENTEŞE FRENLİ 9/20 ALU16 (SAĞ) VENT BOTTOM HINGE WITH BREAK 9/20 ALU16 (RIGHT)	07.27.002.	1
KANAT ALT MENTEŞE KAPAĞI SAĞ VENT BOTTOM HINGE CAP RIGHT	07.27.003.	1
KANAT BANT MENTEŞE KAPAĞI SAĞ VENT HINGE CAP RIGHT	07.27.004.	1

\* SİPARİŞTE YUKARIDAKİ TABLODA BULUNAN ÜRÜNLERE SAĞA AÇILIM TEMEL SET İÇİNDEKİ PARÇALAR DAHİL EDİLMELİDİR.

THE PIECES IN THE RIGHT OPENING BASIC SET MUST BE ADDED THE PRODUCTS IN THE TABLE ABOVE WHEN ORDERING.

\*KOL SETE DAHİL DEĞİLDİR.KOL SEÇENEKLERİ;  
07.05.41 - 07.05.42  
HANDLE IS NOT INCLUDED IN THE SET.HANDLE OPTIONS;  
07.05.41 - 07.05.42

\*\*1451-1600MM GENİŞLİĞİNDE EK OLARAK 07.30.009  
MAKASI EKLENMELİDİR.  
ADDITIONALLY 1451-1600 MM LENGTH 07.30.009. MUST BE ADDED.

PVC KANAL İÇİN ÇİFT AÇILIM SETLERİ ( SOL ) / TILT AND TURN OPENING SETS FOR PVC CHANNEL ( LEFT )

SOL / LEFT			KANAT GENİŞLİĞİ / VENT WIDTH					
AÇIKLAMA DESCRIPTION	KANAT YÜKSEKLİĞİ VENT HEIGHT	KOD CODE	400-500 mm	501-750 mm	751-1000 mm	1001-1200 mm	1201-1450 mm	**1451-1600 mm
KANAT MAKAS SASH STAYS	480-2450 mm	07.30.004.	1					
		07.30.005.		1				
		07.30.006.			1			
		07.30.007.				1		
		07.30.008.					1	1
KASA MAKAS FRAME STAYS	480-2450 mm	07.30.029.	1					
		07.30.030.		1				
		07.30.031.			1	1		
		07.30.032.					1	1
ARKA KİLİTLEME LOCKING POINT HINGE SIDE	480-950 mm	07.30.016.				1		
		07.30.017.					1	
		07.30.018.						1
	951-1450 mm	07.30.016.	1	1	1	2	1	1
		07.30.017.					1	
		07.30.018.						1
	1451-1700 mm	07.30.016.				1		
		07.30.017.	1	1	1	1	2	1
		07.30.018.						1
	1701-1950 mm	07.30.016.				1		
		07.30.017.					1	
		07.30.018.	1	1	1	1	1	2
	1951-2450 mm	07.30.016.			1	1		
		07.30.017.					1	
		07.30.018.						1
07.30.019.	1	1	1	1	1	1	1	
İSPANYOLET ESPAGNOLETTE	480-590 mm	07.30.022.	1	1	1	1	1	1
	591-750 mm	07.30.023.	1	1	1	1	1	1
	751-1200 mm	07.30.024.	1	1	1	1	1	1
	1201-1450 mm	07.30.025.	1	1	1	1	1	1
	1451-1700 mm	07.30.028.	1	1	1	1	1	1
	1701-1950 mm	07.30.026.	1	1	1	1	1	1
	1951-2450 mm	07.30.027.	1	1	1	1	1	1
KİLİT KARŞILIK LOCKING PLATE	480-750 mm	07.27.011.	1	1	2	3	3	5
	751-950 mm	07.27.011.	2	2	3	4	4	6
	951-1450 mm	07.27.011.	3	3	4	6	6	8
	1451-1700 mm	07.27.011.	4	4	5	7	8	10
	1701-2450 mm	07.27.011.	5	5	6	8	8	10

AÇIKLAMA / DESCRIPTION	KOD / CODE	ADET / QUANTITY
KASA ALT MENTEŞE / FRAME BOTTOM HINGE	07.27.001.	1
KASA ÜST / ORTA MENTEŞE FRAME TOP / MIDDLE HINGE	07.27.006.	1
MENTEŞE PİMİ / HINGE PIN	07.27.007.	1
KÖŞE ELEMANI 1 GÜVENLİKLİ PİM / CORNER PIECE	07.30.001.	1
İSPANYOLET ALT PARÇA / ESPAGNOLETTE BOTTOM PIECE	07.30.002.	1
PİVOT KARŞILIK / PIVOT LOCKING PLATE	07.30.003.	1
KANAT BANT MENTEŞE FRENLİ 9/20 ALU16 (SOL) VENT BOTTOM HINGE WITH BREAK 9/20 ALU16 (LEFT)	07.27.013.	1
KANAT ALT MENTEŞE KAPAĞI SOL VENT BOTTOM HINGE CAP LEFT	07.27.014.	1
KANAT BANT MENTEŞE KAPAĞI SOL VENT HINGE CAP LEFT	07.27.015.	1

\* SİPARİŞTE YUKARIDAKİ TABLODA BULUNAN ÜRÜNLERE SOLA AÇILIM TEMEL SET İÇİNDEKİ PARÇALAR DAHİL EDİLMELİDİR.  
THE PIECES IN THE LEFT OPENING BASIC SET MUST BE ADDED THE PRODUCTS IN THE TABLE ABOVE WHEN ORDERING.

\*KOL SETE DAHİL DEĞİLDİR.KOL SEÇENEKLERİ;  
07.05.41 - 07.05.42  
HANDLE IS NOT INCLUDED IN THE SET.HANDLE OPTIONS;  
07.05.41 - 07.05.42

\*\*1451-1600MM GENİŞLİĞİNDE EK OLARAK 07.30.009 MAKASI EKLENMELİDİR.  
ADDITIONALLY 1451-1600 MM LENGTH 07.30.009. MUST BE ADDED.

PVC KANAL İÇİN TEK AÇILIM SETLERİ ( SAĞ / SOL ) / SINGLE OPENING SETS FOR PVC CHANNEL ( RIGHT / LEFT)

AÇIKLAMA DESCRIPTION	KANAT YÜKSEKLİĞİ SASH HEIGHT H (mm)	KOD CODE	SAĞ RIGHT	SOL LEFT
GU KASA ALT MENTEŞE GU BOTTOM HINGE FRAME	501-2200 mm	07.27.001	1	1
GU KASA BANT MENTEŞE FRENLI-SAĞ GU REBATE CORNER WITH BRAKE-RIGHT		07.27.002	1	--
GU KASA ALT MENTEŞE KAPAĞI-SAĞ GU BOTTOM HINGE CAP SASH-RIGHT		07.27.003	1	--
GU KANAT BANT MENTEŞE FRENLI-SOL GU REBATE CORNER HINGE WITH BRAKE-LEFT		07.27.013	--	1
GU KANAT ALT MENTEŞE KAPAĞI-SOL GU BOTTOM HINGE CAP SASH-LEFT		07.27.014	--	1
GU KASA ÜST/ORTA MENTEŞE-PİMSİZ GU FRAME TOP/MIDDLE HINGE-WITHOUT PIN		07.27.006	1	1
GU MENTEŞE PİMİ GU PIN FOR HINGE		07.27.007	1	1
GU UNIJET D KANAT ÜST MENTEŞE GU UNIJET D-TOP HINGE 9MM		07.27.005	1	1
GU KANAT ORTA MENTEŞE 12/20 GU MIDDLE HINGE SASH 12/20		07.27.008	1	1
GU KASA BANT MENTEŞE KAPAK TK.SAĞ GU REBATE CORNER HINGE CAP-RIGHT		07.27.004	1	--
GU KANAT BANT MENTEŞE KAPAK TK. SOL GU REBATE CORNER HINGE CAP-LEFT		07.27.015	--	1
GU ORTA MENTEŞE KAPAK TAKIMI GU MIDDLE HINGE CAP		07.27.009	1	1
GU KİLİT KARŞILIK GU LOCKING PLATE		07.27.011	2	2
GU İSPANYOLET GU ESPAGNOLETTE	501-600 mm	07.27.045	1	1
	601-800 mm	07.27.018	1	1
	801-900 mm	07.27.020	1	1
	901-1000 mm	07.27.021	1	1
	1001-1100 mm	07.27.016	1	1
	1101-1200 mm	07.27.010	1	1
	1201-1300 mm	07.27.022	1	1
	1301-1400 mm	07.27.023	1	1
	1401-1600 mm	07.27.024	1	1
	1601-1800 mm	07.27.024	1	1
	1801-2000 mm	07.27.025	1	1
2001-2200 mm	07.27.026	1	1	

\*KOL SETE DAHİL DEĞİLDİR.KOL SEÇENEKLERİ; 07.05.41 - 07.05.42

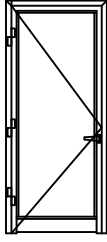
HANDLE IS NOT INCLUDED IN THE SET.HANDLE OPTIONS; 07.05.41 - 07.05.42

\*PVC KANALLI TEK AÇILIM SETİ İÇİN KANAT GENİŞLİĞİ L<1000MM OLMALIDIR.

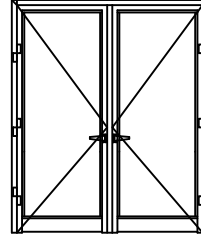
DAHA BÜYÜK ÖLÇÜLER İÇİN TEKNİK OFİS İLE İRTİBATA GEÇİLEBİLİR.

PERIMETRIC GROOVE (16MM) SIDE HUNG OPENING KIT FOR L<1000MM. FOR L>1000MM PLEASE CONTACT TECHNICAL OFFICE.

PVC KANAL İÇİN KAPI AÇILIM SETLERİ / DOOR OPENING SETS FOR PVC CHANNEL



GU PVC KANALLI TEK AÇILIM SETİ 100 kg  
GU SIDE HUNG OPENING SET FOR PVC CHANNEL 100 kg  
KANAT YÜKSEKLİĞİ (H) MAX.2100MM  
SASH HEIGHT (H) MAX.2100MM



GU PVC KANALLI ÇİFT AÇILIM SETİ 100 kg  
GU DOUBLE OPENING FOR PVC CHANNEL 100 kg  
KANAT YÜKSEKLİĞİ (H) MAX.2100MM  
SASH HEIGHT (H) MAX.2100MM

KOD CODE	AÇIKLAMA DESCRIPTION	TEK AÇILIM SIDE HUNG OPENING		ÇİFT AÇILIM DOUBLE OPENING	
		SAĞ RIGHT	SOL LEFT	SAĞ RIGHT	SOL LEFT
07.27.001	GU KASA ALT MENTEŞE GU BOTTOM HINGE FRAME	1	1	2	2
07.27.002	GU KASA BANT MENTEŞE FRENLİ-SAĞ GU REBATE CORNER WITH BRAKE-RIGHT	1	--	2	--
07.27.003	GU KASA ALT MENTEŞE KAPAĞI-SAĞ GU BOTTOM HINGE CAP SASH-RIGHT	1	--	2	--
07.27.004	GU KASA BANT MENTEŞE KAPAK TK.SAĞ GU REBATE CORNER HINGE CAP-RIGHT	1	--	2	--
07.27.005	GU UNIJET D KANAT ÜST MENTEŞE GU UNIJET D-TOP HINGE 9MM	1	1	2	2
07.27.006	GU KASA ÜST/ORTA MENTEŞE-PİMSİZ GU FRAME TOP/MIDDLE HINGE-WITHOUT PIN	2	2	4	4
07.27.007	GU MENTEŞE PİMİ GU PIN FOR HINGE	2	2	4	4
07.27.008	GU KANAT ORTA MENTEŞE 12/20 GU MIDDLE HINGE SASH 12/20	1	1	2	2
07.27.009	GU ORTA MENTEŞE KAPAK TAKIMI GU MIDDLE HINGE CAP	1	1	2	2
07.27.011	GU KİLİT KARŞILIK GU LOCKING PLATE	4	4	--	--
07.27.013	GU KANAT BANT MENTEŞE FRENLİ-SOL GU REBATE CORNER HINGE WITH BRAKE-LEFT	--	1	--	2
07.27.014	GU KANAT ALT MENTEŞE KAPAĞI-SOL GU BOTTOM HINGE CAP SASH-LEFT	--	1	--	2
07.27.015	GU KANAT BANT MENTEŞE KAPAK TK. GU REBATE CORNER HINGE CAP-LEFT	--	1	--	2
07.27.028	GU CYGNUS 2000 KİLİTLİ KAPI İSPANY. GU CYGNUS 2000 ESPAGNOLETTE DOOR LOCK	1	1	--	--
07.27.030	GU AYARLANABİLİR YAYLI DİL KARŞILIĞI GU ADJUSTABLE LOCKING PLATE	1	1	--	--
07.14.08	RESCARA MULETA KAPI KOLU RESCARA GLOBAL DOOR HANDLE	1	1	1	1
18.01.08	153 / 35 DİLLİ KİLİT-BARELSİZ 153 / 35 MORTISE LOCK	--	--	1	1
18.02.25	DİLLİ KİLİT KARŞILIĞI STRIKER FOR MORTISE LOCK	--	--	1	1
18.03.06	KAPI SÜRGÜSÜ BOLT FOR DOORS	--	--	2	2
18.04.20	BAREL 106MM CYLINDER 106MM	1	1	1	1
18.05.02	BAREL AYNASI CYLINDER COVER	1	1	1	1

## PENCERE KOLLARI / WINDOW HANDLES

<p>07.05.25</p> <p>GIESSE İSPANYOLET KOL (ÇİFT DİLLİ) GIESSE HANDLE FOR WINDOWS (DOUBLE RAIL)</p> <p>Renk / Colour : Siyah-Beyaz-Gri Black-White-Grey</p> <p>UNI CEI EN ISO / IEC 17050</p>	<p>07.05.33</p> <p>GIESSE ANAHTARLI İSPANYOLET KOL (ÇİFT DİLLİ) GIESSE KEY HANDLE FOR WINDOWS (DOUBLE RAIL)</p> <p>Renk / Colour : Siyah-Beyaz-Gri Black-White-Grey</p>
<p>07.25.01</p> <p>GIESSE TIJ BAĞLANTI PARÇASI GIESSE CONNECTION ROD</p> <p>Renk / Colour : Siyah / Black Malzeme / Material : Polyamid / Polyamide</p> <p>07.05.25 , 07.05.33 ve 07.05.34 Kol için / For Handle 07.05.25 , 07.05.33 and 07.05.34</p>	<p>07.05.34</p> <p>GIESSE SÖKÜLEBİLİR KOL GÖVDESİ (ÇİFT DİLLİ) GIESSE REMOVABLE HANDLE BODY (DOUBLE RAIL)</p> <p>Renk / Colour : Siyah-Beyaz-Gri Black-White-Grey</p>
<p>07.05.29</p> <p>RESCARA GLOBAL ANAHTARLI PENCERE KOLU (TEK DİLLİ) RESCARA GLOBAL KEY HANDLE FOR WINDOWS (SINGLE RAIL)</p> <p>Renk / Colour : Siyah-Beyaz-Gri Black-White-Grey</p> <p>EN 1670</p>	<p>07.05.35</p> <p>GIESSE SÖKÜLEBİLİR KOL GÖVDESİ (TEK DİLLİ) GIESSE REMOVABLE HANDLE BODY (SINGLE RAIL)</p> <p>Renk / Colour : Siyah Black</p>
<p>07.13.07</p> <p>RESCARA KOL BAĞLANTI PARÇASI RESCARA CONNECTION PART FOR HANDLE</p> <p>Malzeme / Material : Zamak / Zamak</p> <p>07.05.28, 07.05.29 Kol için / For Handle 07.05.28, 07.05.29</p>	<p>07.05.30</p> <p>RESCARA GLOBAL SÖKÜLEBİLİR KOL GÖVDESİ (ÇİFT DİLLİ) RESCARA GLOBAL REMOVABLE HANDLE BODY (DOUBLE RAIL)</p> <p>Renk / Colour : Siyah-Beyaz-Gri Black-White-Grey</p> <p>EN 1670</p>
<p>07.05.28</p> <p>RESCARA GLOBAL PENCERE KOLU (TEK DİLLİ) RESCARA GLOBAL HANDLE FOR WINDOWS (SINGLE RAIL)</p> <p>Renk / Colour : Siyah-Beyaz-Gri Black-White-Grey</p> <p>EN 1670</p>	<p>07.05.31</p> <p>RESCARA SÖKÜLEBİLİR KOL GÖVDESİ (TEK DİLLİ) RESCARA REMOVABLE HANDLE BODY (SINGLE RAIL)</p> <p>Renk / Colour : Siyah / Black</p> <p>EN 1670</p>
<p>07.05.32</p> <p>RESCARA GLOBAL PENCERE KOLU (ÇİFT DİLLİ) RESCARA GLOBAL HANDLE FOR WINDOWS (DOUBLE RAIL)</p> <p>Renk / Colour : Siyah-Beyaz-Gri Black-White-Grey</p> <p>EN 1670, 13126-8</p>	<p>07.13.08</p> <p>RESCARA KOL BAĞLANTI PARÇASI RESCARA CONNECTION PART FOR HANDLE</p> <p>Renk / Colour : Siyah / Black Malzeme / Material : PVC</p> <p>07.05.30, 07.05.32 Kol için / For Handle 07.05.30, 07.05.32</p>

## İSPANYOLET KİLİTLEME PARÇALARI / LOCKING KITS



07.13.03

PİM  
LOCK PIN

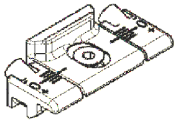
Malzeme / Material : Zamak / Zamak



07.13.06

GIESSE PİM  
GIESSE ADJUSTABLE LOCKING PAWL

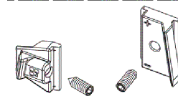
Malzeme / Material : Zamak / Zamak



07.09.07

GIESSE AYARLI PİM KARŞILIĞI  
GIESSE ADJUSTABLE SINGLE STRIKER

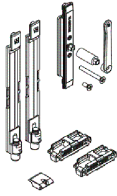
Malzeme / Material : Zamak / Zamak



07.09.08

GIESSE ARKA KİLİTLEME  
GIESSE BURGLAR BOLT

Malzeme / Material : Zamak / Zamak



18.07.02

GIESSE PASİF KANAT SÜRGÜ SETİ  
GIESSE BOLT FOR PASSIVE LEAF

Malzeme / Material : Zamak ve polyamid  
Zamak and polyamide



07.09.11

RESCARA SABİT KARŞILIK  
RESCARA FIXED STRIKER

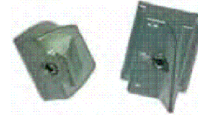
Malzeme / Material : Zamak / Zamak



07.09.12

RESCARA AYARLI KARŞILIK  
RESCARA ADJUSTABLE STRIKER

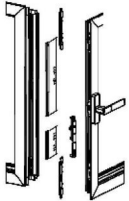
Malzeme / Material : Zamak / Zamak



07.09.13

RESCARA ARKA KİLİTLEME  
RESCARA BURGLAR BOLT

Malzeme / Material : Zamak / Zamak



18.07.07

RESCARA PASİF KANAT SÜRGÜ SETİ LEVYE KOLLU  
RESCARA BOLT FOR PASSIVE LEAF CONCEALED HANDLE



07.06.78

RESCARA MICROVENTİLASYON  
RESCARA MICROVENTILATION

Malzeme / Material : Zamak / Zamak

İSPANYOLET KİLİTLEME PARÇALARI / LOCKING KITS



07.21.03

RESCARA KÖŞE DÖNME  
RESCARA CORNER DRIVE

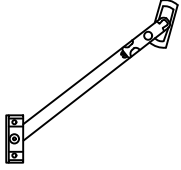
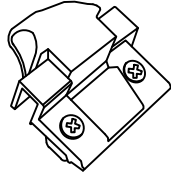
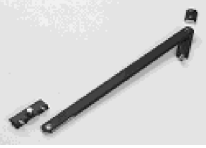

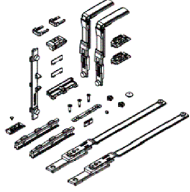

Malzeme / Material : Zamak / Zamak



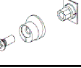

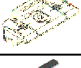




07.21.02

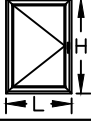







GIESSE KÖŞE DÖNME  
GIESSE CORNER DRIVE

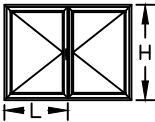




Malzeme / Material : Zamak / Zamak

 <p><b>07.07.02</b> VASİSTAS MAKAS ARM FOR BOTTOM-HUNG WINDOWS Renk / Colour : Siyah-Beyaz-Gri Black-White-Grey</p>	 <p><b>07.08.01</b> RESCARA VASİSTAS MANDAL RESCARA DEVICE FOR CLOSING BOTTOM-HUNG WINDOWS Renk / Colour : Siyah-Beyaz-Gri Black-White-Grey</p>
 <p><b>07.07.08</b> SINIRLAYICI MAKAS LIMITER Malzeme / Material : Gümüş- Paslanmaz Çelik Silver - Stainless Steel</p>	 <p><b>07.07.09</b> GIESSE VASİSTAS MAKAS GIESSE ARM FOR BOTTOM-HUNG WINDOWS Renk / Colour : Siyah-Beyaz-Gri Black-White-Grey</p>
 <p><b>07.07.11</b> GIESSE VASİSTAS PENCERE SETİ GIESSE BOTTOM HUNG WINDOW SET Kol ve menteşe sete dahil değildir. Handle and hinge is not included in the set</p>	 <p><b>11.02.34</b> RESCARA KANAT DESTEK TAKOZU RESCARA VENT SUPPORT PIECE Malzeme / Material : PVC Renk / Colour : Siyah/Black</p>

ÇİFT DİLLİ KOL VE KİLİTLEME SETİ SEÇİM TABLOSU DOUBLE RAILED HANDLE AND LOCKING KIT TABLE			TEKİL SET MAIN SET			İLAVE ÜRÜNLER ADDITIONAL PRODUCTS		
KOD CODE	AÇIKLAMA DESCRIPTION	ÜRÜN RESMİ PRODUCT IMAGE	H<1200mm L<1000mm	1200mm < H < 2700 mm	1000mm < L < 1400 mm			
07.05.25	GIESSE ÇİFT DİLLİ KOL GIESSE DOUBLE RAIL HANDLE		1					
07.25.01	GIESSE KOL BAĞLANTISI GIESSE ROD CONNECTION PIECES		1					
07.13.06	GIESSE AYARLI PİM GIESSE ADJUSTABLE LOCKING PAWL		2	2	2			
07.09.11	RESCARA SABİT KARŞILIK RESCARA FIXED STRIKER		2	2	2			
07.09.07	GIESSE AYARLI PİM KARŞILIĞI GIESSE ADJUSTABLE SINGLE STRIKER					2		
07.21.02	GIESSE KÖŞE DÖNME GIESSE CORNER DRIVE						2	
11.02.34	RESCARA KANAT DESTEK TAKOZU RESCARA VENT SUPPORT PIECE		1					

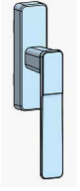
\*\*\*Giesse kol ve kilitleme aksesuarları 25 I 07 tji profili ile kullanılmalıdır.  
Giesse handle and locking accessories should be used with 25 I 07 rod profile

TEK DİLLİ KOL VE KİLİTLEME SETİ SEÇİM TABLOSU SINGLE RAILED HANDLE AND LOCKING KIT TABLE					
			TEMEL SET MAIN SET	İLAVE ÜRÜNLER ADDITIONAL PRODUCTS	
KOD CODE	AÇIKLAMA DESCRIPTION	ÜRÜN RESMİ PRODUCT IMAGE	H<1200mm L<1000mm	1200mm < H < 2700 mm	1000mm < L < 1400 mm
07.05.28 07.05.29	RESCARA TEK DİLLİ KOL RESCARA SINGLE RAIL HANDLE		1		
07.13.07	RESCARA KOL BAĞLANTI PARÇASI RESCARA CONNECTION PART FOR HANDLE		1		
07.13.06	GIESSE AYARLI PİM GIESSE ADJUSTABLE LOCKING PAWL		2	2	2
07.09.11	RESCARA SABİT KARŞILIK RESCARA FIXED STRIKER		2	2	2
07.09.12	RESCARA AYARLI KARŞILIK RESCARA ADJUSTABLE STRIKER				2
07.21.03	RESCARA KÖŞE DÖNME RESCARA CORNER DRIVE				2
11.02.34	RESCARA KANAT DESTEK TAKOZU RESCARA VENT SUPPORT PIECE		1		

ÇİFT/TEK AÇILIM PASİF KANAT AKSESUAR SEÇİM TABLOSU SECONDARY SASH LOCKING KIT TABLE					
			TEMEL SET MAIN SET	İLAVE ÜRÜNLER ADDITIONAL PRODUCTS	
KOD CODE	AÇIKLAMA DESCRIPTION	ÜRÜN RESMİ PRODUCT IMAGE	H<1200mm L<1000mm	1200mm < H < 2700 mm	1000mm < L < 1400 mm
18.07.02	GIESSE SÜRGÜ SETİ GIESSE BOLT FOR SECONDARY SASH		1		
07.21.02	GIESSE KÖŞE DÖNME PARÇASI GIESSE CORNER DRIVE				2
07.09.07	GIESSE AYARLI PİM KARŞILIĞI GIESSE ADJUSTABLE SINGLE STRIKER				2
07.09.08	GIESSE ARKA KİLİTLEME GIESSE BURGLAR BOLT			1	

\*\*\*Giesse kol ve kilitleme aksesuarları 25 I 07 tij profili ile kullanılmalıdır.  
Giesse handle and locking accessories should be used with 25 I 07 rod profile

## HOLD LINE PENCERE KOLLARI / HOLD LINE WINDOW HANDLES



**07.05.84.**

HOLD LINE ÇİFT MAÇALI KOL  
HOLD LINE FORK HANDLE

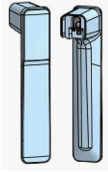
Renk / Colour : Boyalı-Siyah-Ham  
Colour-Black-Raw



**07.05.83.**

HOLD LINE ÇİFT MAÇALI KİLİTLİ KOL  
HOLD LINE FORK HANDLE WITH KEY

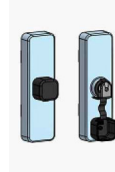
Renk / Colour : Boyalı-Siyah-Ham  
Colour-Black-Raw



**07.05.81.**

HOLD LINE ÇİFT MAÇALI SÖKÜLEBİLİR KOL SAPI  
HOLD LINE FORK DETACHABLE HANDLE ARM

Renk / Colour : Boyalı-Siyah-Ham  
Colour-Black-Raw



**07.05.80.**

HOLD LINE ÇİFT MAÇALI SÖKÜLEBİLİR KOL  
GÖVDESİ TEK EKSEN  
HOLD LINE FORK DETACHABLE HANDLE ARM  
BODY SINGLECASEMENT

Renk / Colour : Boyalı-Siyah-Ham  
Colour-Black-Raw



**07.25.16.**

KARE MİLLİ GEARBOX  
SPINDLE GEARBOX

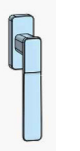
Renk / Colour : Boyalı-Siyah-Ham  
Colour-Black-Raw



**07.05.87.**

HOLD LINE KARE MİLLİ SEKUSTİK KİLİTLİ KOL  
HOLD LINE SPINDLE SECUSTUC HANDLE WITH KEY

Renk / Colour : Boyalı-Siyah-Ham  
Colour-Black-Raw



**07.05.85.**

HOLD LINE KARE MİLLİ SEKUSTİK KOL  
HOLD LINE SPINDLE SECUSTUC HANDLE

Renk / Colour : Boyalı-Siyah-Ham  
Colour-Black-Raw

## PVC KANAL İÇİN AÇILIM SETLERİ / OPENING SETS FOR PVC CHANNEL



**07.05.41**

RESCARA AKUSTİK PENCERE KOLU  
RESCARA ACOUSTIC HANDLE

Renk / Colour : Siyah-Beyaz-Gri  
Black-White-Grey



**07.05.42**

RESCARA AKUSTİK PENCERE KOLU  
RESCARA ACOUSTIC HANDLE

Renk / Colour : Siyah-Beyaz-Gri  
Black-White-Grey

## PENCERE KOLLARI / WINDOW HANDLES



07.05.69

RESCARA AKUSTİK PENCERE KOLU  
RESCARA ACOUSTIC HANDLE

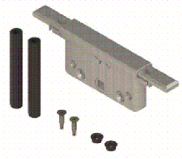
Renk / Colour : Siyah-Beyaz-Gri  
Black-White-Grey



07.05.77

MASTER PENCERE KOLU  
MASTER ACOUSTIC HANDLE

Renk / Colour : Siyah-Beyaz-Gri-Press-Boyalı  
Black-White-Grey-Press-Painted

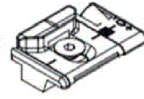


07.25.09

GIESSE ÇİFT YÖNLÜ MEKANİZMA  
GIESSE MECHANISMS

Renk / Colour : Siyah / Black  
Malzeme / Material : Polyamid / Polyamide

07.05.69 ve 07.05.77 Kol için / For Handle 07.05.69 and 07.05.77



07.09.30

GIESSE AYARLI PİM KARŐILIĐI  
GIESSE ADJUSTABLE SINGLE STRIKER

Malzeme / Material : Zamak / Zamak



07.13.06

GIESSE PİM  
GIESSE ADJUSTABLE LOCKING PAWL

Malzeme / Material : Zamak / Zamak



11.02.41

GIESSE KASA İÇİ YÜKSELTME PARÇASI  
GIESSE

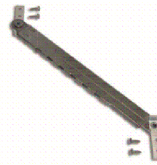
Malzeme / Material : Zamak / Zamak



07.09.08

GIESSE ARKA KİLİTLEME  
GIESSE BURGLAR BOLT

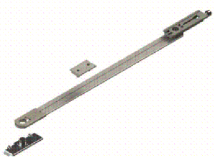
Malzeme / Material : Zamak / Zamak



07.07.24

GIESSE 5 KADEMELİ LAZER MAKAS  
GIESSE TELESCOPIC LASER UNIT

Malzeme / Material : Zamak / Zamak



07.07.08

GIESSE KADEMESİZ AYARLI LİMİTLEME  
MAKASI  
GIESSE FRIZ OPENING LIMITER ARM

Malzeme / Material : Zamak / Zamak



07.09.24

GIESSE GÜVENLİK Lİ PİM VE KARŐILIK SETİ  
GIESSE BURGLAR-PROF DEVICE FUTURA

Malzeme / Material : Zamak / Zamak

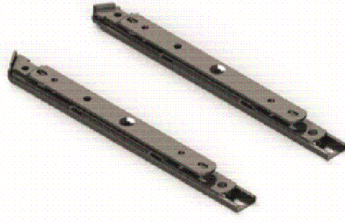


GIESSE DOĞRAMA MAKASLARI  
GIESSE ARMS

Malzeme / Material : Paslanmaz Çelik  
Stainless Steel

YANDAN DIŐA AÇILIR İÇİN / OUTWARD OPENING - SIDE HUNG					
GIESSE DIŐA AÇILIM MAKAS GIESSE ARM FOR TOP HUNG	MAKAS BOYU ARM LENGTH	KANAT GENİŐLİĐİ SASH WIDTH (mm)	KANAT YÜKSEKLİĐİ SASH HEIGHT (mm)	KANAT AĐIRLIĐI SASH WEIGHT (Kg)	AÇMA DERECEŐİ OPENING ANGLE
07.03.71	10"	660	1500	35 kg	50°-84°
07.03.72	16"	700	1600	60 kg	30°
				42 kg	50°-90°

YANDAN DIŐA AÇILIR SETİ SEÇİM TABLOSU TABLE SET OF OUTWARD OPENING - SIDE HUNG				
		07.03.71 GIESSE MAKAS	07.03.72 GIESSE MAKAS	İLAVE ÜRÜNLER ADDITIONAL PRODUCTS
		L < 660mm H < 1500mm	660mm < L < 700mm 1500mm < H < 1600mm	H > 1200mm
KOD CODE	AÇIKLAMA DESCRIPTION			
07.05.69 07.05.77	PENCERE KOLU WINDOW HANDLE	1	1	
07.25.09	GIESSE ÇİFT YÖNLÜ MEKANİZMA GIESSE MECHANISMS	1	1	
11.02.41	GIESSE KASA İÇİ YÜKSELTME PARÇASI GIESSE	1	1	
07.09.30	GIESSE AYARLI PİM KARŐILIĐI GIESSE ADJUSTABLE SINGLE STRIKER	2	2	
07.13.06	GIESSE PİM GIESSE ADJUSTABLE LOCKING PAWL	2	2	
07.07.08 07.07.24	GIESSE SINIRLAYICI MAKASLAR GIESSE	1	1	
07.09.08	GIESSE ARKA KİLİTLEME GIESSE BURGLAR BOLT			1



GIESSE DOĞRAMA MAKASLARI  
GIESSE ARMS

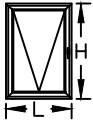
Malzeme / Material : Paslanmaz Çelik  
Stainless Steel

ALTTAN DIŐA AÇILIR İÇİN / OUTWARD OPENING - TOP HUNG

GIESSE DIŐA AÇILIM MAKAS GIESSE ARM FOR TOP HUNG	MAKAS BOYU ARM LENGHT	KANAT GENİŐLİĐİ SASH WIDTH (mm)	KANAT YÜKSEKLİĐİ SASH HEIGHT (mm)	KANAT AĐIRLIĐI SASH WEIGHT (Kg)	AÇMA DERECEŐİ OPENING ANGLE
07.03.71	10"	1500	650	50 kg	50°
07.03.72	16"	1500	800	100 kg	30°
				55 kg	50°
07.03.73	22"	1700	1500	100 kg	20°
				80 kg	45°
07.03.74	28"	1700	2000	100 kg	15°

ALTTAN DIŐA AÇILIR SETİ SEÇİM TABLOSU

TABLE SET OF OUTWARD OPENING - TOP HUNG



		07.03.71 GIESSE MAKAS	07.03.72 GIESSE MAKAS	07.03.73 GIESSE MAKAS	07.03.74 GIESSE MAKAS
KOD CODE	AÇIKLAMA DESCRIPTION	L < 1500mm H < 650mm	L < 1500mm 650mm < H < 800mm	1500mm < L < 1700mm 800mm < H < 1500mm	1500mm < L < 1700mm 1500mm < H < 2000mm
07.05.69 07.05.77	PENCERE KOLU WINDOW HANDLE	1	1	1	1
07.25.09	GIESSE ÇİFT YÖNLÜ MEKANİZMA GIESSE MECHANISMS	1	1	1	1
11.02.41	GIESSE KASA İÇİ YÜKSELTME PARÇASI GIESSE	1	1	1	1
07.09.30	GIESSE AYARLI PİM KARŐILIĐI GIESSE ADJUSTABLE SINGLE STRIKER	2	2	2	2
07.13.06	GIESSE PİM GIESSE ADJUSTABLE LOCKING PAWL	2	2	2	2
07.07.08 07.07.24	GIESSE SINIRLAYICI MAKASLAR GIESSE	1	1	1	1

PENCERE DONANIMLARI / WINDOW HARDWARE



07.05.77

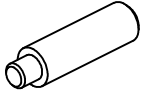
MASTER PENCERE KOLU  
MASTER ACOUSTIC HANDLE

Renk / Colour : Siyah-Beyaz-Gri-Press-Boyali  
Black-White-Grey-Press-Painted



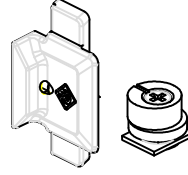
07.25.13

MASTER DIŐA AÇILIM MEKANİZMA  
MASTER TWO WAY MOVEMENT



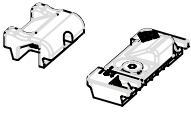
07.25.14

MASTER KOL BAĞLANTI PİMİ  
MASTER CONNECTION PIN



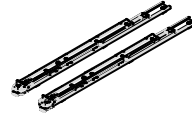
07.13.13

MASTER EKS.PİM+KARŐILIK  
MASTER EXTRA LOCKING PIN



07.09.33

MASTER GİZLİ BASKI  
MASTER ADDITIONAL CLOSING POINT



07.03.75

MASTER DIŐ MKS.16"  
MASTER STAY HINGE FOR OUTSIDE



07.07.29

MASTER 10" LİMİTÖR MAKAS  
MASTER LIMITER FOR OPENING



07.21.05

MASTER KÖŐE AKT.+ KARŐ.  
MASTER CORNER RETURN



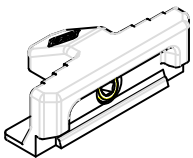
07.02.04

MASTER SINIRLANDIRICI BLOK  
MASTER LIMITER



07.06.083

MASTER ALT KİLİTLEME  
MASTER DIRECT DRIVING LATCH



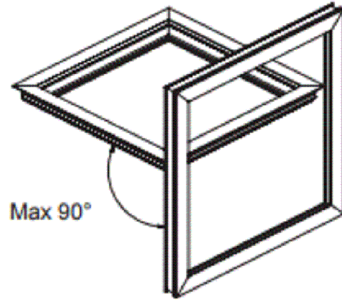
07.09.34

MASTER ALT KİLİTLEME KARŐ.  
MASTER DIRECT DRIVING LATCH STRIKER



07.09.35

MASTER DESTEK PARŐASI  
MASTER SUPPORT PART



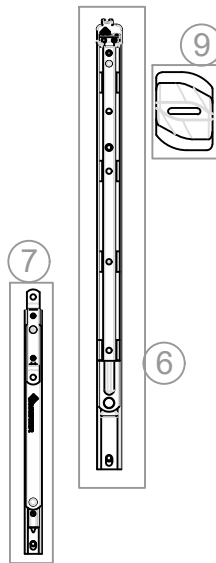
MASTER DIŐA TERS VAŐİSTAS AÇILIM SETİ  
\*DIŐ CAM TEMİZLENEBİLME ÖZELLİĐİ

MASTER TOP HUNG OPENING KIT  
\*OUTER GLASS CLEANING OPTION

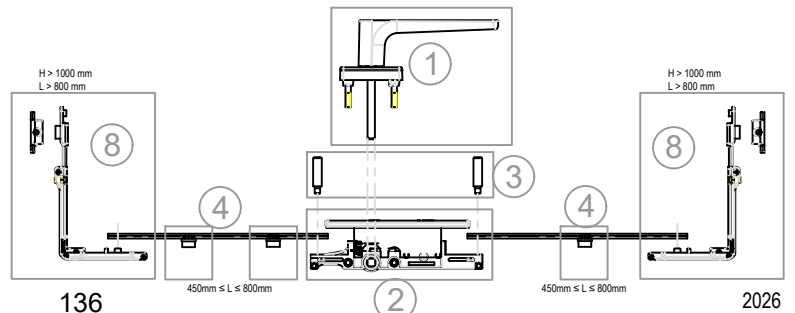
ÖLÇÜ DIMENSION	07.05.77 MASTER PENCERE KOLU MASTER WINDOW HANDLE	07.25.13 DIŐA AÇILIM MEKANİZMA MASTER TWO WAY MOVEMENT	07.25.14 MASTER KOL BAĐ.PİMİ MASTER CONNECTION PIN	07.13.13 MASTER EKS.PİM+KARŐILIK MASTER EXTRA LOCKING PIN	07.09.33 MASTER GİZLİ BASKI ADDITIONAL CLOSING POINT	07.03.75 MASTER DIŐ MKS.16* STAY HINGE FOR OUTSIDE	07.07.29 MASTER 10° LİMİTÖR MAKAS LIMITER FOR OPENING	07.21.05 MASTER KÖŐE AKT.+KARŐ. MASTER CORNER RETURN
L: 450-800 H: 450-1000	1	1	2	2	1	1	1	--
L: 450-800 H: 1001-1200	1	1	2	2	1	1	1	2
L: 801-1200 H: 450-1000	1	1	2	3	1	1	1	--
L: 801-1200 H: 1001-1200	1	1	2	3	1	1	1	2

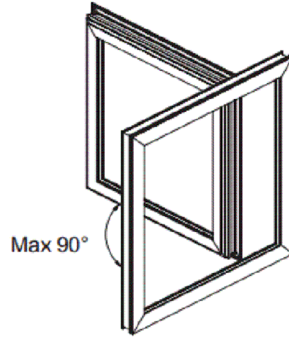
KNT. YÜKSEKLİĐİ SASH HEIGHT		KNT. GENİŐLİĐİ SASH WIDTH		AÇILIM DERECEŐİ OPENING ANGLE		TAŐIMA KAPASİTESİ (KG) CAPACITY (KG)
MIN.	MAX.	MIN.	MAX.	AÇI ANGLE	LİMİTLEME OPENING LIMITATION	KG
450 mm	650 mm	450 mm	1200 mm	20°	VIDA + 07.02.04** SCREW + 07.02.04**	100
				30°	VIDA SCREW	60
650 mm	750 mm	450 mm	1200 mm	30°	07.07.30	60
750 mm	1200 mm	450 mm	1200 mm	30°	07.07.29	60

\*\* 07.02.04 MASTER SINIRLAYICI BLOK 20° AÇI İÇİN KULLANILMALIDIR.  
07.02.04 MASTER LIMITER SHOULD BE USED FOR 20° ANGLE



5	6	7	8	9
1	2	3	4	5
07.05.77	07.25.13	07.25.14	07.13.13	07.09.33
MASTER PENCERE KOLU MASTER WINDOW HANDLE	MASTER DIŐA AÇILIM MEKANİZMA MASTER TWO WAY MOVEMENT	MASTER KOL BAĐ.PİMİ MASTER CONNECTION PIN	MASTER EKS.PİM+KARŐILIK MASTER EXTRA LOCKING PIN	MASTER GİZLİ BASKI ADDITIONAL CLOSING POINT
6	7	8	9	10
07.03.75	07.07.29 veya / or 07.07.30	07.21.05	**07.02.04	
MASTER DIŐ MKS.16* STAY HINGE FOR OUTSIDE	MASTER LİMİTÖR MAKAS MASTER LIMITER FOR OPENING	MASTER KÖŐE AKT.+KARŐ. MASTER CORNER RETURN	MASTER SINIRLANDIRICI BLOK MASTER LIMITER	





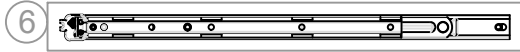
MASTER DIŐA TEK AÇILIM SETİ  
\*DIŐ CAM TEMİZLENEBİLME ÖZELLİĐİ

MASTER SIDE HUNG OPENING KIT  
\*OUTER GLASS CLEANING OPTION

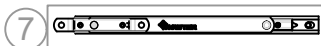
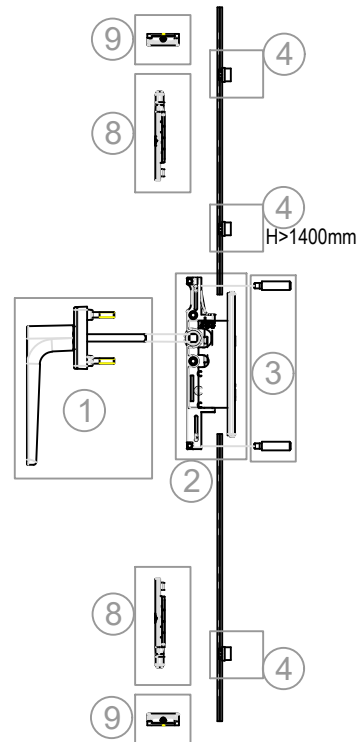
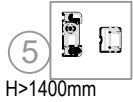
ÖLÇÜ DIMENSION	07.05.77 MASTER PENCERE KOLU MASTER WINDOW HANDLE	07.25.13 DIŐA AÇILIM MEKANİZMA MASTER TWO WAY MOVEMENT	07.25.14 MASTER KOL BAĐ.PİMİ MASTER CONNECTION PIN	07.13.13 MASTER EKS.PİM+KARŐILIK MASTER EXTRA LOCKING PIN	07.09.33 MASTER GİZLİ BASKI ADDITIONAL CLOSING POINT	07.03.75 MASTER DIŐ MKS.16" STAY HINGE FOR OUTSIDE	07.07.29 MASTER 10" LİMİTÖR MAKAS LIMITER FOR OPENING	**07.06.083 MASTER ALT KİLİTLEME DIRECT DRIVING LATCH	**07.09.34 MASTER ALT KİLİTLEME KARŐ. DIRECT DRIVING LATCH STRIKER
L: 450-750 H: 450-1400	1	1	2	2	--	1	1	2	2
L: 450-750 H: 1401-1800	1	1	2	3	1	1	1	2	2

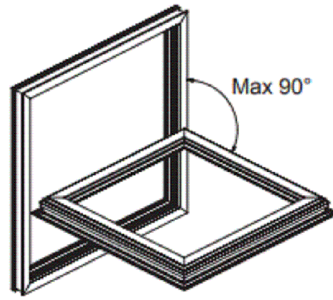
KNT. YÜKSEKLİĐİ SASH HEIGHT		KNT. GENİŐLİĐİ SASH WIDTH		AÇILIM DERECEŐİ OPENING ANGLE		TAŐIMA KAPASİTESİ (KG) CAPACITY (KG)
MİN.	MAX.	MİN.	MAX.	AÇI ANGLE	LİMİTLEME OPENING LIMITATION	KG
450 mm	1800 mm	450 mm	630 mm	30°	VIDA SCREW	42
450 mm	1800 mm	630 mm	730 mm	30°	07.07.30	42
450 mm	1800 mm	730 mm	750 mm	30°	07.07.29	42

\*\*07.06.083 VE \*\*07.09.34 KODLU AKSESUARLAR EKSTRA PERFORMANS İÇİN OPSİYONEL OLARAK KULLANILABİLİR.  
ACCESSORIES \*\* 07.06.083 AND \*\*07.09.34 SHOULD BE USED OPTIONAL FOR EXTRA PERFORMANCE.



1	07.05.77	MASTER PENCERE KOLU MASTER WINDOW HANDLE	
2	07.25.13	MASTER DIŐA AÇILIM MEKANİZMA MASTER TWO WAY MOVEMENT	
3	07.25.14	MASTER KOL BAĐ.PİMİ MASTER CONNECTION PIN	
4	07.13.13	MASTER EKS.PİM+KARŐILIK MASTER EXTRA LOCKING PIN	
5	07.09.33	MASTER GİZLİ BASKI ADDITIONAL CLOSING POINT	
6	07.03.75	MASTER DIŐ MKS.16" STAY HINGE FOR OUTSIDE	
7	07.07.29 veya / or 07.07.30	MASTER LİMİTÖR MAKAS MASTER LIMITER FOR OPENING	
8	**07.06.083	MASTER ALT KİLİTLEME MASTER DIRECT DRIVING LATCH	
9	**07.09.34	MASTER ALT KİLİTLEME KARŐ. DIRECT DRIVING LATCH STRIKER	



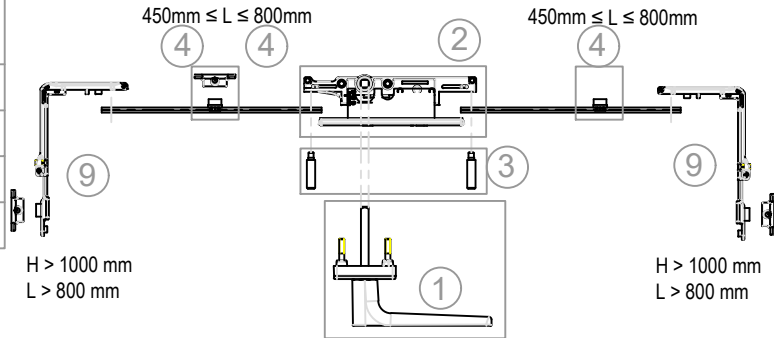


MASTER DIŐA VAĐİSTAS AÇILIM SETİ  
\*DIŐ CAM TEMİZLENEBİLME ÖZELLİĐİ

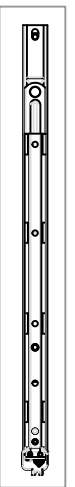
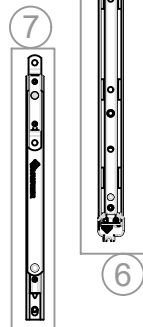
MASTER BOTTOM HUNG OPENING  
\*OUTER GLASS CLEANING OPTION

ÖLÇÜ DIMENSION	07.05.77 MASTER PENCERE KOLU MASTER WINDOW HANDLE	07.25.13 DIŐA AÇILIM MEKANİZMA MASTER TWO WAY MOVEMENT	07.25.14 MASTER KOL BAĐ PİMİ MASTER CONNECTION PIN	07.13.13 MASTER EKS.PİM+KARŐILIK MASTER EXTRA LOCKING PIN	07.09.33 MASTER GİZLİ BAŐKI ADDITIONAL CLOSING POINT	07.03.75 MASTER DIŐ MKS.16" STAY HINGE FOR OUTSIDE	07.07.29 veya/or 07.07.30 MASTER LİMİTÖR MAKAS LIMITER FOR OPENING	07.09.35 MASTER DESTEK PARÇASI MASTER SUPPORT PART	07.21.05 MASTER KÖŐE AKT.-KARŐ. MASTER CORNER RETURN
L: 450-800 H: 450-1000	1	1	2	2	1	1	1	1	-
L: 450-800 H: 1001-1200	1	1	2	2	1	1	1	1	2
L: 801-1200 H: 450-1000	1	1	2	2	1	1	1	2	2
L: 801-1200 H: 1001-1200	1	1	2	2	1	1	1	2	2

KNT. YÜKSEKLİĐİ SASH HEIGHT		KNT. GENİŐLİĐİ SASH WIDTH		AÇILIM DERECEŐİ OPENING ANGLE		TAŐIMA KAPASİTESİ (KG) CAPACITY (KG)
MİN.	MAX.	MİN.	MAX.	AÇI ANGLE	LİMİTLEME OPENING LIMITATION	KG
450 mm	650 mm	450 mm	1200 mm	30°	VIDA SCREW	100
650 mm	750 mm	450 mm	1200 mm	30°	07.07.30	100
750 mm	1200 mm	450 mm	1200 mm	30°	07.07.29	100



①	07.05.77	MASTER PENCERE KOLU MASTER WINDOW HANDLE	
②	07.25.13	MASTER DIŐA AÇ.MEKANİZMA MASTER MECHANISMS	
③	07.25.14	MASTER KOL BAĐ.PİMİ MASTER CONNECTION PIN	
④	07.13.13	MASTER EKS.PİM+KARŐILIK MASTER EXTRA LOCKING PIN	
⑤	07.09.33	MASTER GİZLİ BAŐKI ADDITIONAL CLOSING POINT	
⑥	07.03.75	MASTER DIŐ MKS.16" STAY HINGE FOR OUTSIDE	
⑦	07.07.29 veya / or 07.07.30	MASTER LİMİTÖR MAKAS MASTER LIMITER FOR OPENING	
⑧	07.09.35	MASTER DESTEK PARÇASI MASTER SUPPORT PART	
⑨	07.21.05	MASTER KÖŐE AKT.-KARŐ. MASTER CORNER RETURN	





07.14.06

GIESSE KAPI KOLU  
GIESSE DOOR HANDLE

Renk / Colour : Siyah-Beyaz-Gri  
Black-White-Grey



07.14.07

RESCARA GLOBAL KAPI KOLU  
RESCARA GLOBAL DOOR HANDLE

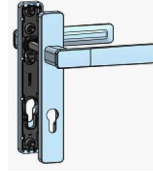
Renk / Colour : Siyah-Beyaz-Gri  
Black-White-Grey



07.14.08

RESCARA MULETA KAPI KOLU  
RESCARA GLOBAL DOOR HANDLE

Renk / Colour : Siyah-Beyaz-Gri  
Black-White-Grey



07.14.25.

HOLD LINE ÇİFT TARAFLI AYNALI KAPI KOLU  
HOLD LINE IN-OUT DOOR HANDLE

Renk / Colour : Boyalı-Siyah-Ham  
Colour-Black-Raw



07.14.26.

HOLD LINE ÇİFT TARAFLI AYNASIZ KAPI KOLU  
HOLDLINE IN-OUT DOOR ROSELESS DOOR HANDLE

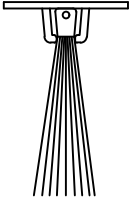
Renk / Colour : Boyalı-Siyah-Ham  
Colour-Black-Raw



18.05.03.

HOLD LINE BAREL KAPAĞI  
HOLD LINE COVER CAP

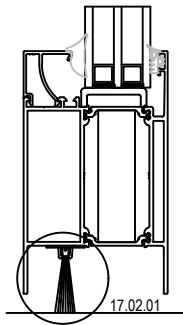
Renk / Colour : Boyalı-Siyah-Ham  
Colour-Black-Raw



17.02.01

KAPI ALTI FIRÇASI  
BRUSH FOR DOORS

Malzeme / Material : Polipropilen /Polypropylene



Ölçek/Scale: 1/3

KAPI KOLLARI / DOOR HANDLES

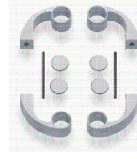


07.17.19

AKBANK KAPI KOLU  
DOOR HANDLE

Renk / Colour : Siyah-Beyaz-Gri-Eloksal  
Black-White-Grey-Anodised

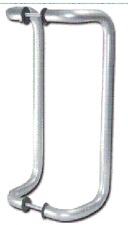
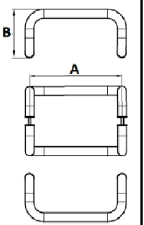
Ölçüler / Dimensions: H:200 cm


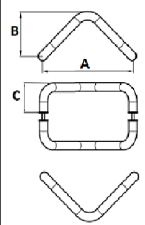


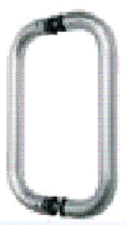
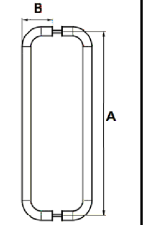
07.13.10


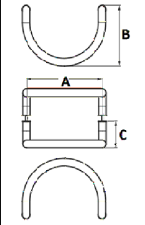
AKBANK KOL APARATI  
DOOR HANDLE

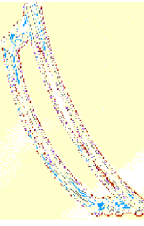
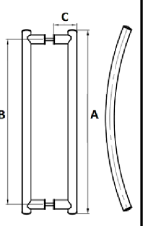
Renk / Colour : Siyah-Beyaz-Gri-Eloksal  
Black-White-Grey-Anodised

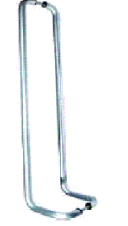
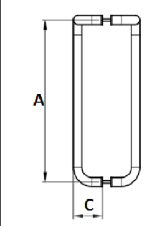
		KIVRIK KOL DOOR HANDLE Renk / Colour : Siyah-Beyaz-Eloksal Black-White-Anodised		
KOD CODE	Ø (mm)	A (mm)	B (mm)	
07.17.10	25	200	130	
07.17.11	25	300	130	
07.17.02	25	400	130	
07.17.27	25	500	160	

		V KOL DOOR HANDLE Renk / Colour : Siyah-Beyaz-Eloksal Black-White-Anodised		
KOD CODE	Ø (mm)	A (mm)	B (mm)	C (mm)
07.17.06	25	200	130	80
07.17.29	25	250	130	80
07.17.30	25	300	130	80
07.17.31	30	400	160	100


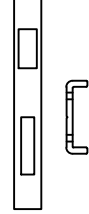
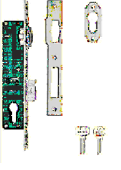
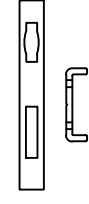
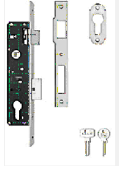
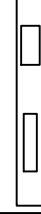
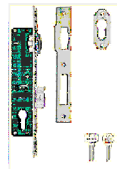

		U KOL DOOR HANDLE Renk / Colour : Siyah-Beyaz-Eloksal Black-White-Anodised		
KOD CODE	Ø (mm)	A (mm)	B (mm)	
07.17.08	25	200	80	
07.17.35	25	300	80	
07.17.36	30	400	100	

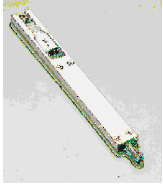
		YARIM AY KOL DOOR HANDLE Renk / Colour : Siyah-Beyaz-Eloksal Black-White-Anodised		
KOD CODE	Ø (mm)	A (mm)	B (mm)	C (mm)
07.17.32	25	200	130	80
07.17.20	25	300	130	80
07.17.33	30	350	160	100

		YAY KOL DOOR HANDLE Renk / Colour : Siyah-Beyaz-Eloksal Black-White-Anodised		
KOD CODE	Ø (mm)	A (mm)	B (mm)	
07.17.37	80	400	350	
07.17.22	80	500	450	
07.17.38	80	600	550	
07.17.39	80	700	650	
07.17.40	80	800	750	

		BASTON KOL DOOR HANDLE Renk / Colour : Siyah-Beyaz-Eloksal Black-White-Anodised		
KOD CODE	Ø (mm)	A (mm)	B (mm)	C (mm)
07.17.23	25	900	180	80
07.17.34	25	1000	180	80

## KAPI KİLİTLERİ / DOOR LOCKS

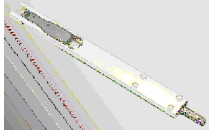
 <p>18.01.02 DİLLİ KİLİT MORTISE LOCK</p>	 <p>18.02.22 DİLLİ KİLİT KARŞILIĞI STRIKER FOR MORTISE LOCK</p>
 <p>18.01.01 MAKARALI KİLİT MORTISE LOCK (WITH ROLLER)</p>	 <p>18.02.23 MAKARALI KİLİT KARŞILIĞI STRIKER FOR ROLLER LOCK</p>
 <p>18.01.08 DİLLİ KİLİT MORTISE LOCK</p>	 <p>18.02.25 DİLLİ KİLİT KARŞILIĞI STRIKER FOR MORTISE LOCK</p>
 <p>18.01.09 MAKARALI KİLİT MORTISE LOCK (WITH ROLLER)</p>	 <p>18.02.24 MAKARALI KİLİT KARŞILIĞI STRIKER FOR ROLLER LOCK</p>



**18.03.01**  
KAPI SÜRGÜSÜ (UZUN)  
BOLT FOR DOORS (LONG)



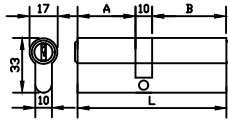
**18.03.06**  
KAPI SÜRGÜSÜ (KISA)  
BOLT FOR DOORS (SHORT)



**18.03.10**  
KAPI SÜRGÜSÜ (UZUN)  
BOLT FOR DOORS (LONG)

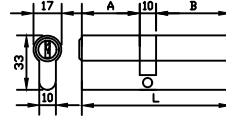


**18.05.02**  
BAREL AYNASI  
CYLINDER COVER  
Renk / Colour : Siyah-Beyaz-Grey  
Black-White-Grey



**18.04.19**  
BAREL  
CYLINDER  
Malzeme / Material : Krom-Nikel / Chrome-Nickel

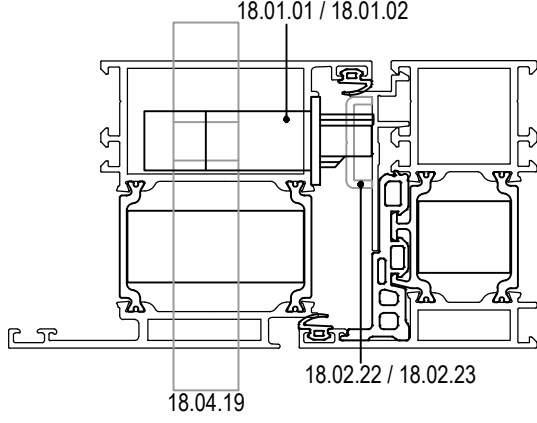
A	B	L
26	60	96



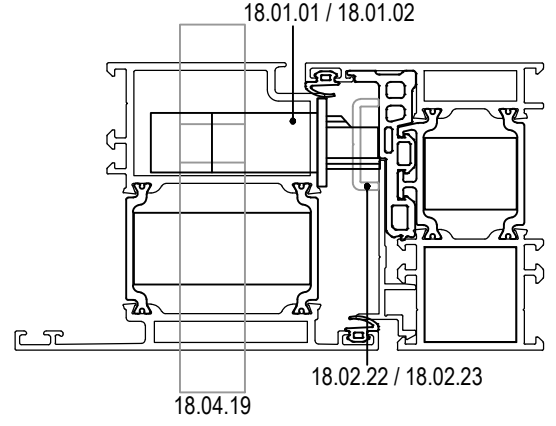
**18.04.20**  
BAREL  
CYLINDER  
Malzeme / Material : Krom-Nikel / Chrome-Nickel

A	B	L
26	70	106

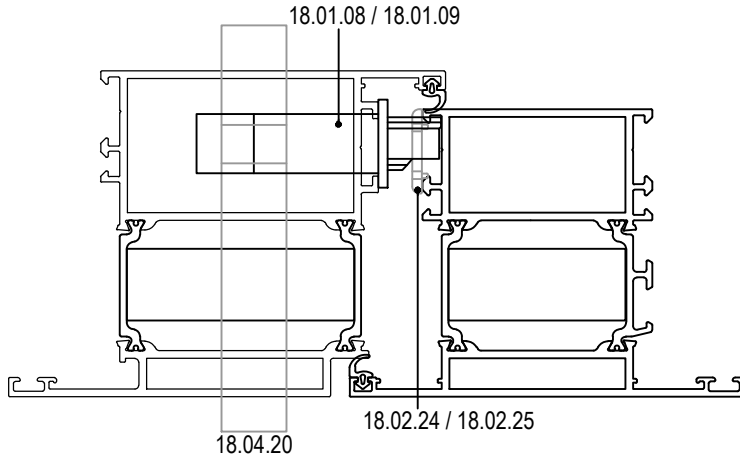
\*\*İÇE AÇILIM DETAY İÇİN  
\*\*INWARD OPENING DOOR DETAIL



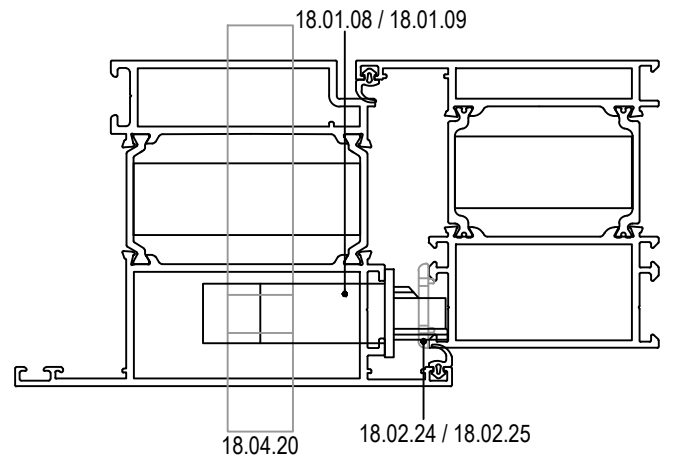
\*\*DIŞA AÇILIM DETAY İÇİN  
\*\*OUTWARD OPENING DOOR DETAIL



İÇE AÇILIM TİJ KANALLI KAPI DETAYLARI  
INWARD OPENING DOOR DETAILS WITH EURO GROOVE



DIŞA AÇILIM TİJ KANALLI KAPI DETAYLARI  
OUTWARD OPENING DOOR DETAILS WITH EURO GROOVE

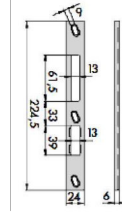


KAPI KİLİTLERİ / DOOR LOCKS



18.01.47.

ÇOK NOKTALI KANCALI KİLİT (PRO)  
MULTILOCK WITH HOOK (PRO)



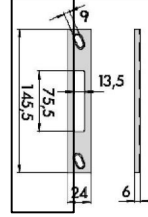
18.02.46

MERKEZ KİLİT KARŞILIĞI  
CENTRAL LOCK STRIKER



18.01.48.

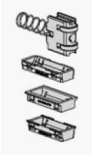
ÇOK NOKTALI KANCALI KİLİT (MATIC)  
MULTILOCK WITH HOOK (MATIC)



18.02.47

ALT/ÜST KİLİT KARŞILIĞI  
ADDITIONAL LOCK STRIKER

2 adet kullanılmalıdır.

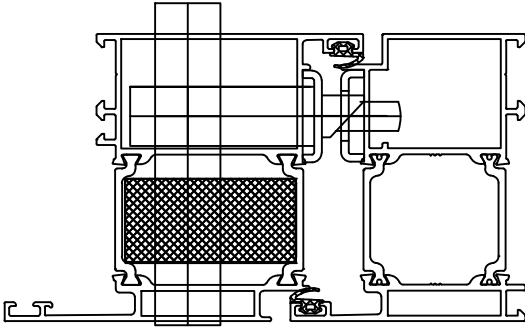


18.01.49.

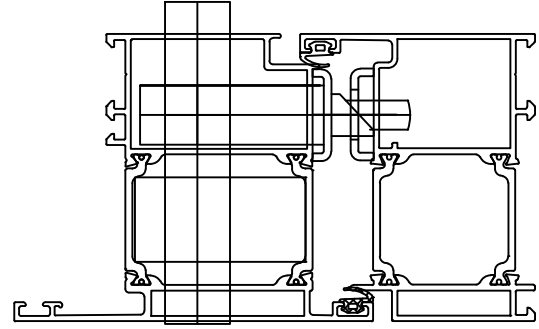
MAKARALI KİLİT  
ROLLER LOCK

ASAŞ KODU ASAŞ CODE	18.01.47 ÇOK NOKT.KANCALI KİLİT MULTILOCK WITH HOOK	18.01.48 ÇOK NOKT.KANCALI KİLİT MULTILOCK WITH HOOK	18.02.46 MERKEZ KİLİT KARŞILIĞI CENTRAL LOCK STRIKER	18.02.47 ALT/ÜST KİLİT KARŞILIĞI ADDITIONAL LOCK STRIKER
PRO MANUEL KİLİTLEMELİ MODEL PRO MANUAL LOCK MODEL	1	--	1	2
MATIC MEKANİK KİLİTLEMELİ MODEL MATIC MECHANIC LOCK MODEL	--	1	1	2

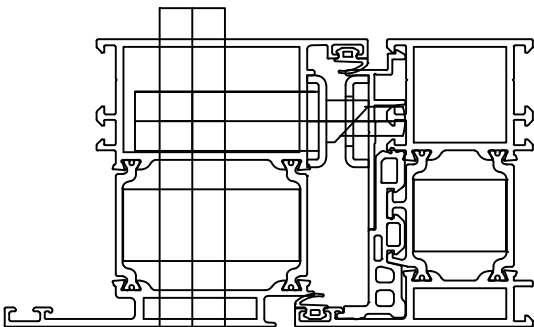
İÇE AÇILIM HEMYÜZ ADAPTÖRSÜZ DETAY İÇİN  
INWARD OPENING FLUSH DOOR DETAIL WITHOUT ADDITIONAL PROFILE



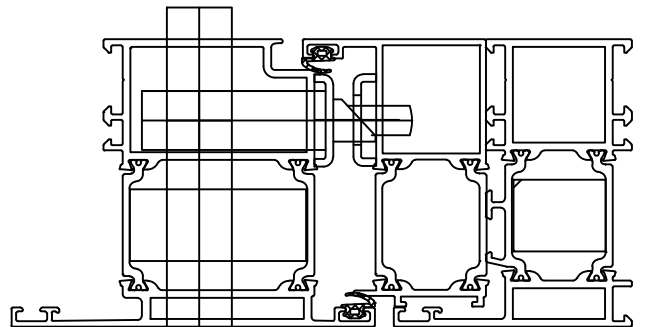
DIŞA AÇILIM HEMYÜZ ADAPTÖRSÜZ DETAY İÇİN  
OUTWARD OPENING FLUSH DOOR DETAIL WITHOUT ADDITIONAL PROFILE







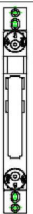





İÇE AÇILIM KAPI ADAPTÖRLÜ DETAYLARI  
INWARD OPENING DOOR DETAILS WITH ADDITIONAL PROFILE



DIŞA AÇILIM KAPI DETAYLARI ADAPTÖRLÜ  
OUTWARD OPENING DOOR DETAILS WITH EURO ADDITIONAL PROFILE



KAPI KİLİTLERİ / DOOR LOCKS

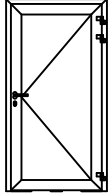
 <p><b>18.02.38</b> TEK NOKT.MATIC KİLİT KARŞILIĞI</p>	 <p><b>18.01.43</b> TEK NOKTALI MATIC KİLİT</p>
 <p><b>18.02.39</b> PRO MERKEZ KİLİT KARŞILIĞI</p>	 <p><b>18.01.44</b> ÇOK NOKTALI PRO KİLİT</p>
 <p><b>18.02.40</b> PRO ALT-ÜST KİLİT KARŞILIĞI</p>	 <p><b>18.01.45</b> ÇOK NOKTALI MATIC KİLİT</p>
 <p><b>18.02.41</b> MATIC MERKEZ KİLİT KARŞILIĞI</p>	 <p><b>18.01.46</b> MORTICE TEK NOKTALI SS KİLİT</p>
 <p><b>18.02.42</b> MATIC ALT-ÜST KİLİT KARŞILIĞI</p>	 <p><b>18.02.43</b> MORTICE TEK NOKT.KİLİT KARŞILIĞI</p>

ÖLÇÜ DIMENSION	MODEL MODEL	18.01.43 TEK NOKTALI KİLİT SINGLE LOCK WITH	18.02.38 TEK NOKTALI KİLİT KARŞ. SINGLE LOCK STRIKER	18.01.46 TEK NOKTALI SS KİLİT SINGLE SS LOCK WITH	18.02.43 TEK NOKTALI KİLİT KARŞ. SINGLE LOCK STRIKER
H < 2000mm	MATIC MEKANİK KİLİTLEMELİ MODEL MATIC MECHANIC LOCK MODEL	1	1	--	--
	MORTICE MANUEL KİLİTLEMELİ MODEL MORTICE MANUAL LOCK MODEL	--	--	1	1

ÖLÇÜ DIMENSION	MODEL MODEL	18.01.44 ÇOK NOKTALI KİLİT MULTILOCK WITH	18.01.45 ÇOK NOKTALI KİLİT MULTILOCK WITH	18.02.39 MERKEZ KİLİT KARŞILIĞI CENTRAL LOCK STRIKER	18.02.40 ALT-ÜST KİLİT KARŞILIĞI ADDITIONAL LOCK STRIKER
2000mm < H < 3000mm	PRO MANUEL KİLİTLEMELİ MODEL PRO MANUAL LOCK MODEL	1	--	1	2
	MATIC MEKANİK KİLİTLEMELİ MODEL MATIC MECHANIC LOCK MODEL	--	1	1	2

PAS24:2022 - TİJ KANALLI DIŞA AÇILIR KAPI / PAS24:2022 - EUROGROVE OUTWARD DOOR

PAS 24:2022 - Enhanced Security  
Performance Requirements for  
Doorsets and Windows in the UK







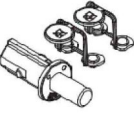
PAS24:2022 TİJ KANALLI DIŞA AÇILIR KAPI  
PAS24:2022 EUROGROOVE OUTWARD DOOR

YAPILABİLİR MAKSİMUM ÖLÇÜ: H:2100 MM - W:1100 MM  
MAX ADMISIBLE SIZE : H:2100 MM - W:1100 MM

TEK KANAT  
SINGLE SASH

KOD CODE	AÇIKLAMA DESCRIPTION	ADET QTY
15.02.001	GIESSE KAPI MENTEŞE GIESSE DOMINA HINGE FOR DOORS	3
15.02.004	VİDALI BAĞLANTI SETİ DIRECT FIXATION SET	12
15.02.016	10 MM MENTEŞE BİNİ PARÇASI 10 MM STEPPED PLATE	3
15.02.014	SKG-3 MENTEŞE KORUMA KAPAĞI SKG-3 HINGE COVER CAP	3
15.02.015	SKG-3 MENTEŞE VİDA MATKAP KORUMA TOPU SKG-3 HINGE SCREW ANTI-DRILL PROTECTION BALL	12
18.01.45	3 NOKTALI KANÇALI KİLİT 3 POINT WITH HOOK LOCK	1
07.14.06	GIESSE KAPI KOLU GIESSE DOOR HANDLE	1
18.02.41	MERKEZİ ÇOK NOKTALI KİLİT KARŞILIĞI CENTRAL MULTI-POINT LOCK STRIKER	1
18.02.42	ALT-ÜST KİLİT KARŞIĞI TOP-BOTTOM LOCK STRIKER	2
07.09.36	KALDIRMA KORUMA PİNİ ANTI-LIFT PIN	3

## KAPI KİLİTLERİ / DOOR LOCKS

 <p><b>18.01.45</b> ÇOK NOKTALI KİLİT MULTI-POINT LOCK</p>	 <p><b>18.04.41</b> MERKEZİ KİLİT KARŞILIĞI CENTRAL LOCK STRIKER</p>
 <p><b>15.02.014</b> 3-SKG KORUMA KAPAĞI 3-SKG COVER CAP</p>	 <p><b>18.02.42</b> ALT-ÜST KİLİT KARŞILIĞI TOP-BOTTOM LOCK STRIKER</p>
 <p><b>15.02.015</b> SKG-3 MENTEŞE VİDA MATKAP KORUMA TOPU SKG-3 HINGE SCREW ANTI-DRILL PROTECTION BALL</p>	 <p><b>07.09.36</b> KALDIRMA KORUMA PİNİ ANTI-LIFT PIN</p>

**MİMARİ KATALOG**  
ARCHITECTURAL CATALOGUE

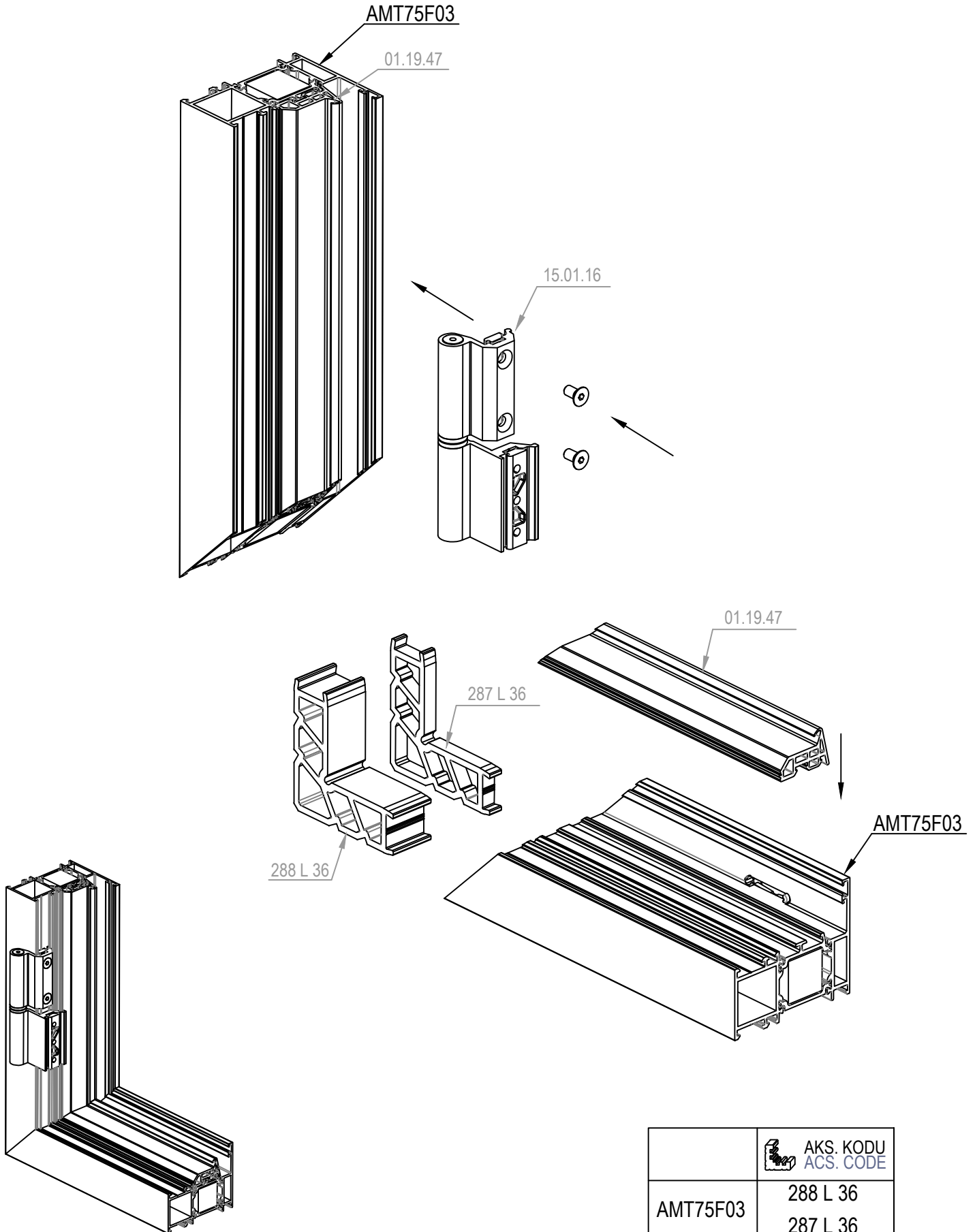
**Alüminyum Kapı ve Pencere Sistemleri**  
Aluminium Door and Window Systems

# RWT75

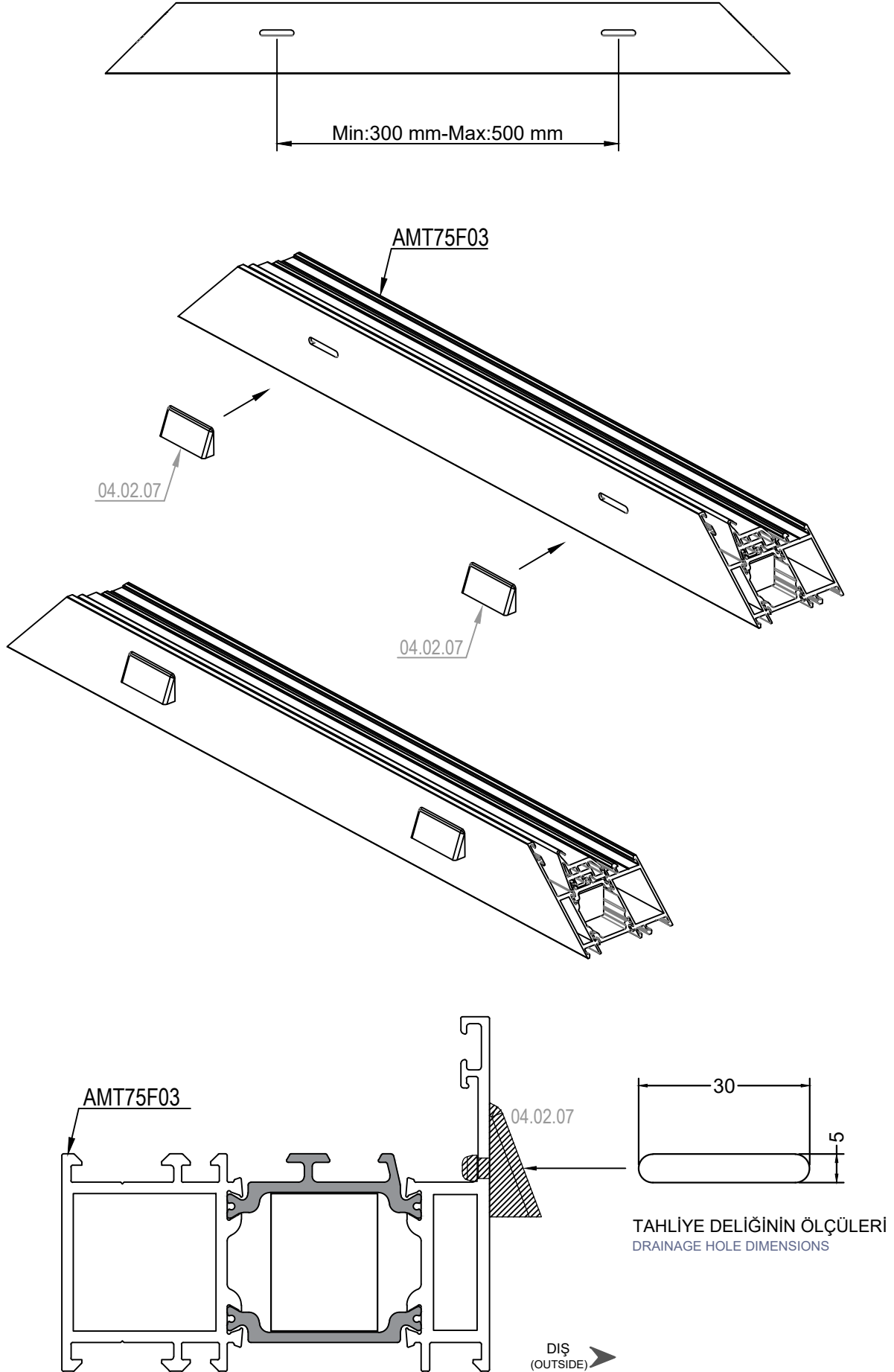
**İMALAT DETAYLARI**

**FABRICATION DETAILS**

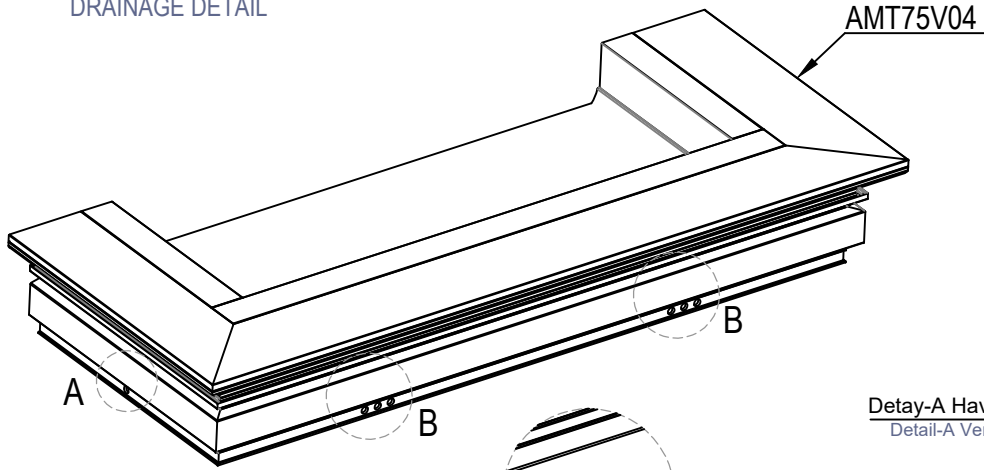
(1) KASA KÖŞE BAĞLANTI DETAYLARI  
FRAME CORNER CONNECTION DETAIL



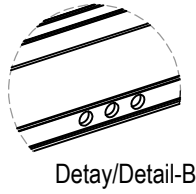
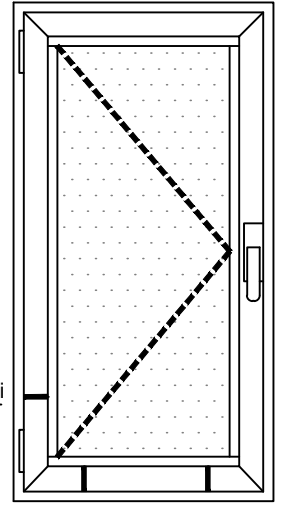
(2) TAHLİYE DETAYLARI  
DRAINAGE DETAIL



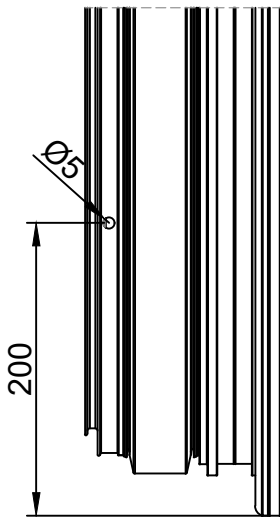
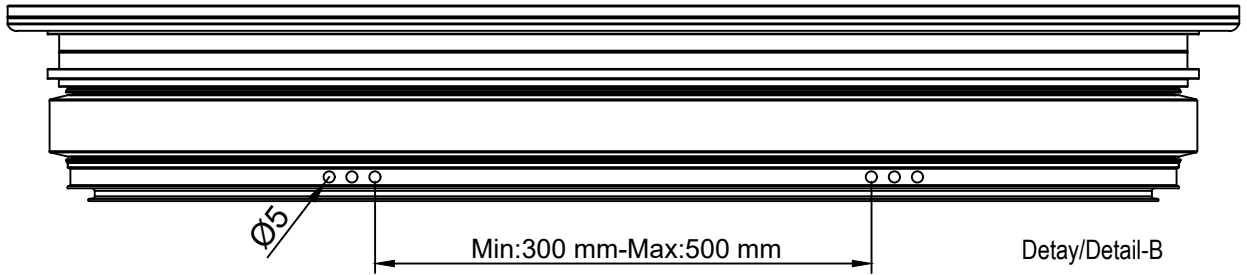
(3) TAHLİYE DETAYLARI  
DRAINAGE DETAIL



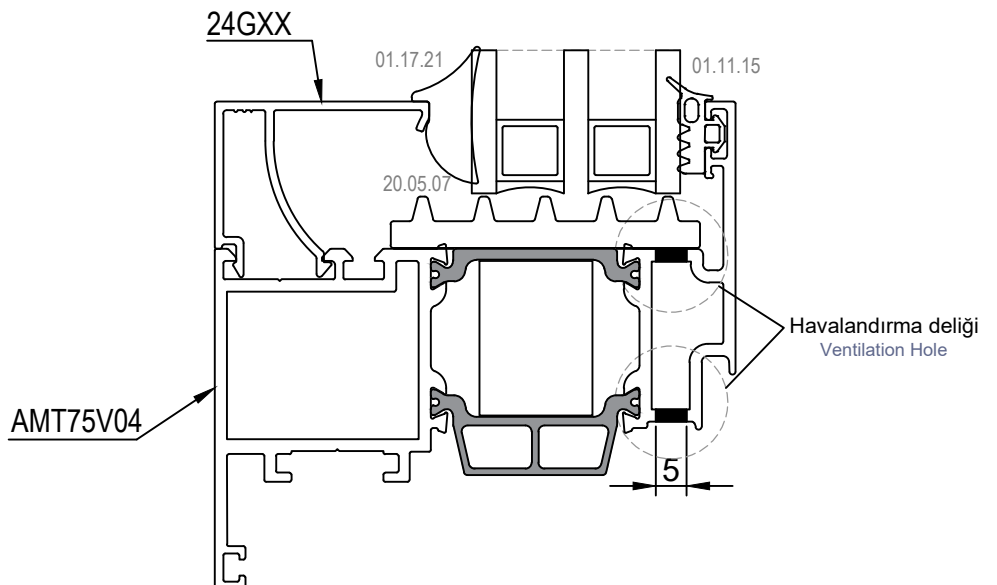
Detay-A Havalandırma deliği  
Detail-A Ventilation Hole



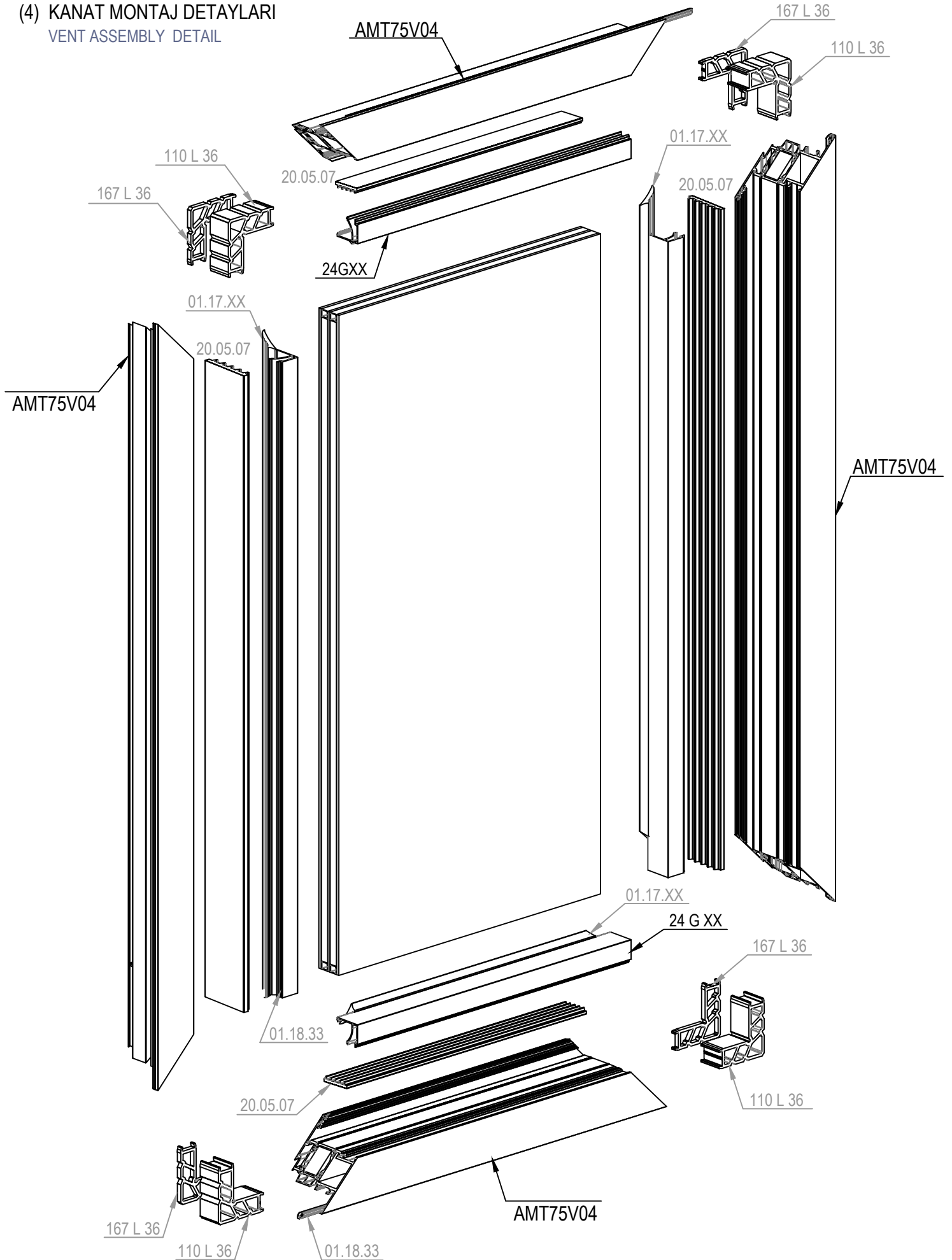
Detay/Detail-A



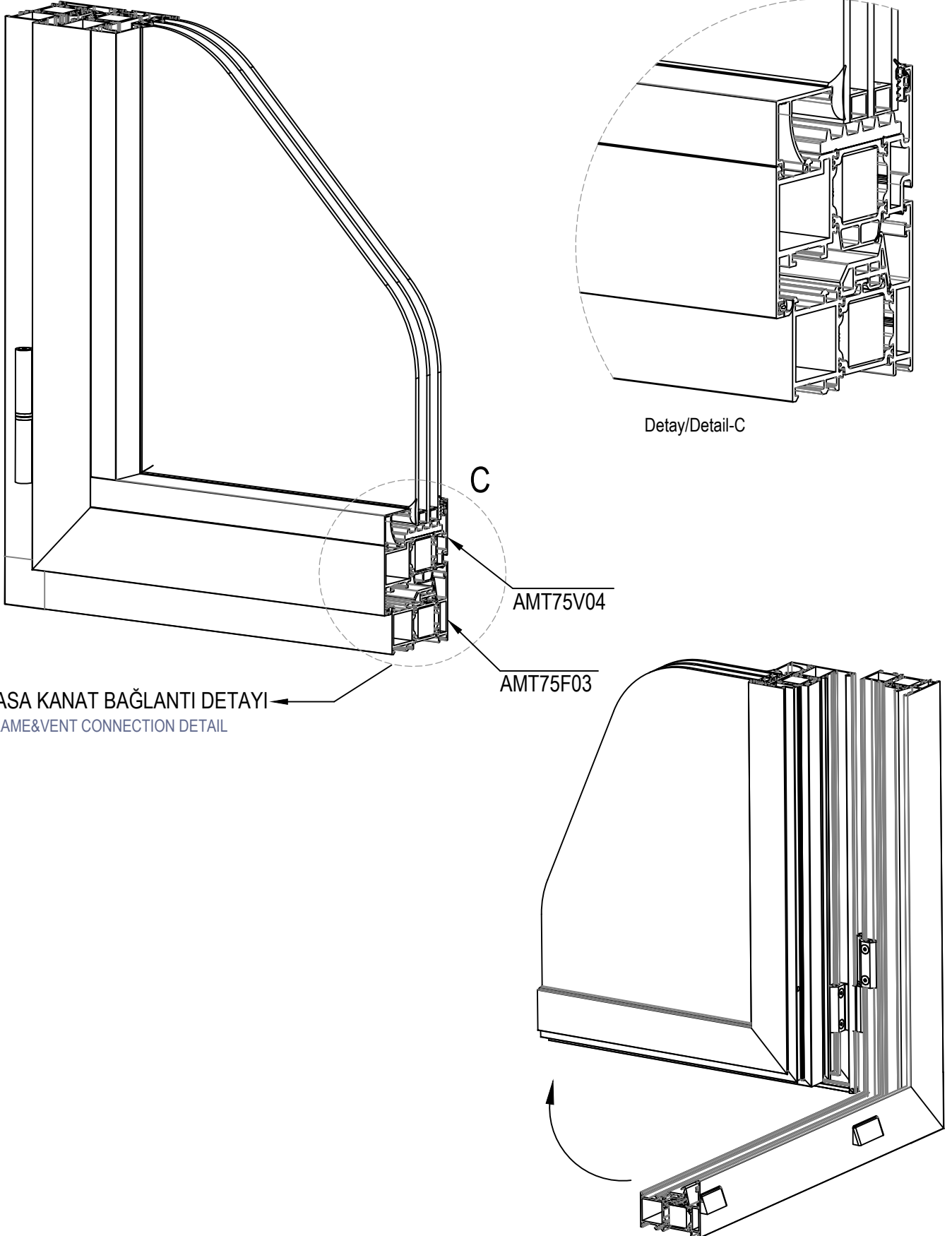
Detay/Detail-A



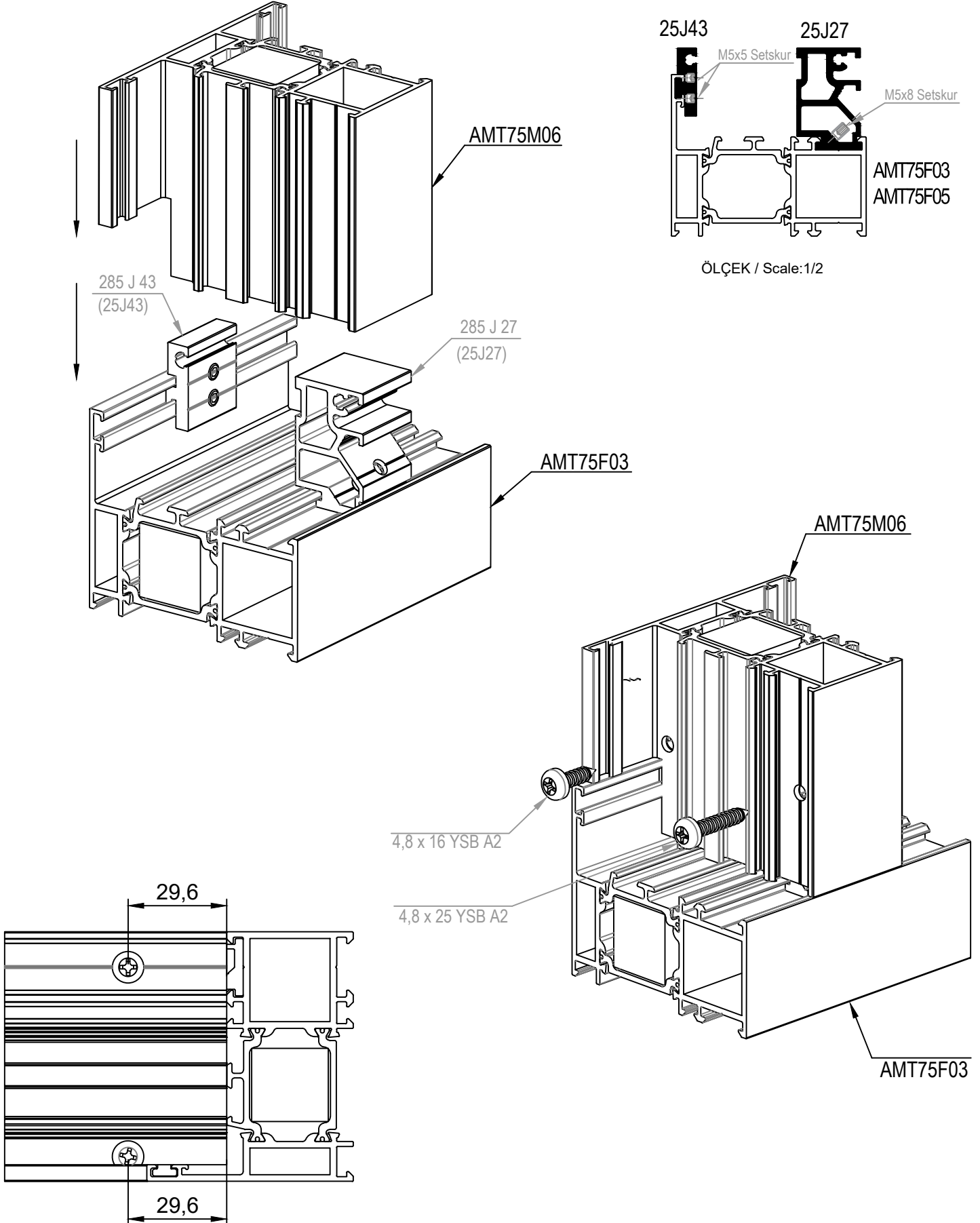
(4) KANAT MONTAJ DETAYLARI  
VENT ASSEMBLY DETAIL



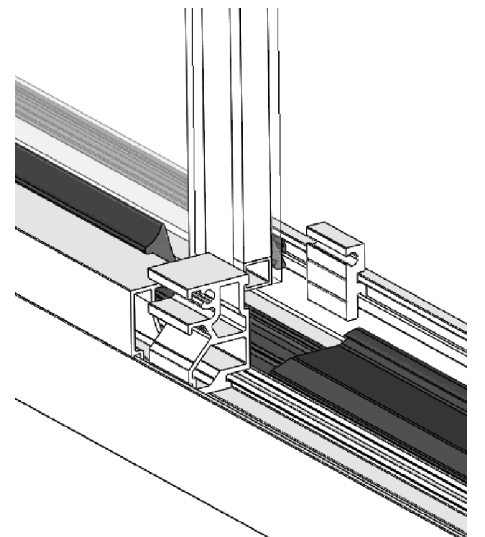
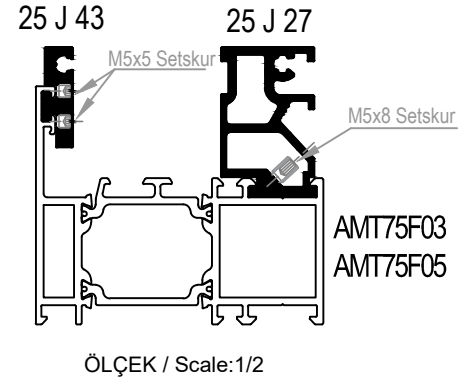
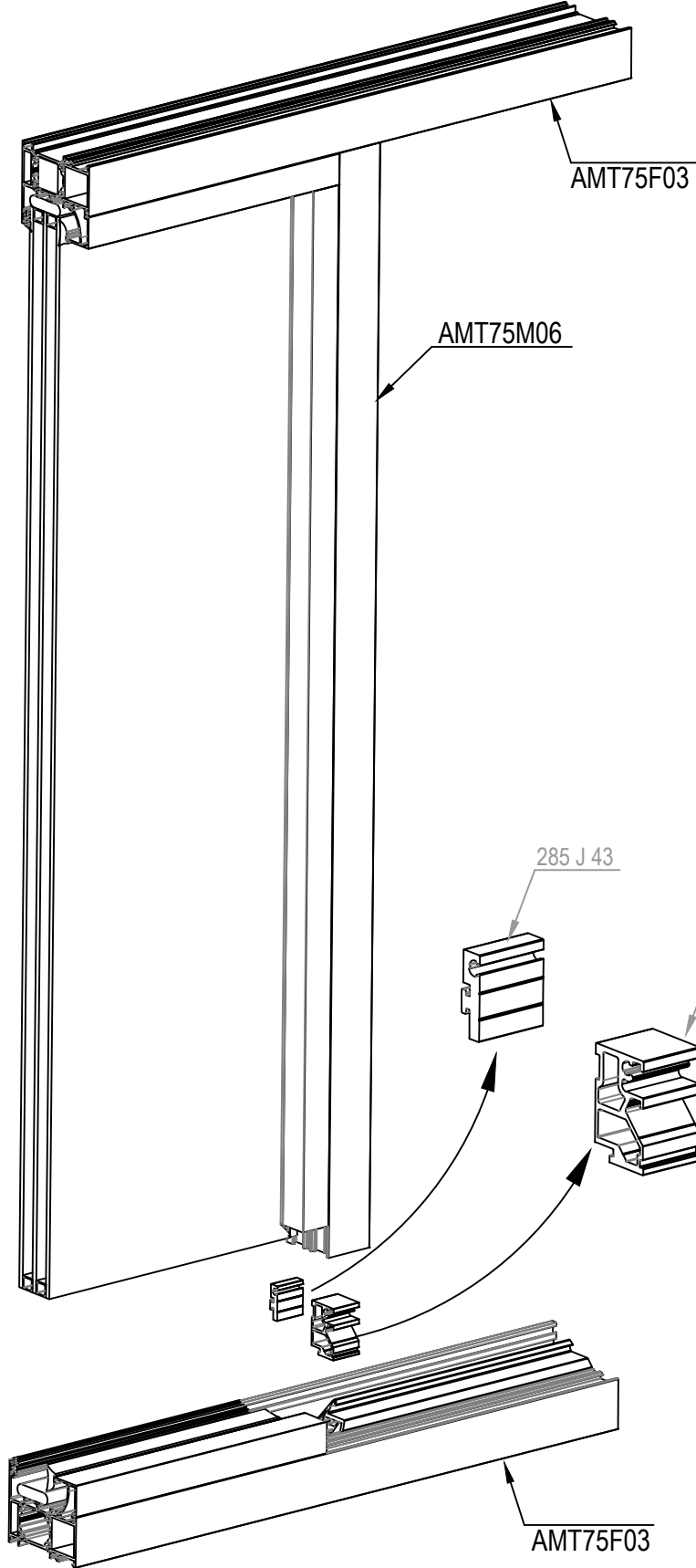
(5) KASA&KANAT BAĞLANTI DETAYI  
FRAME&VENT CONNECTION DETAIL



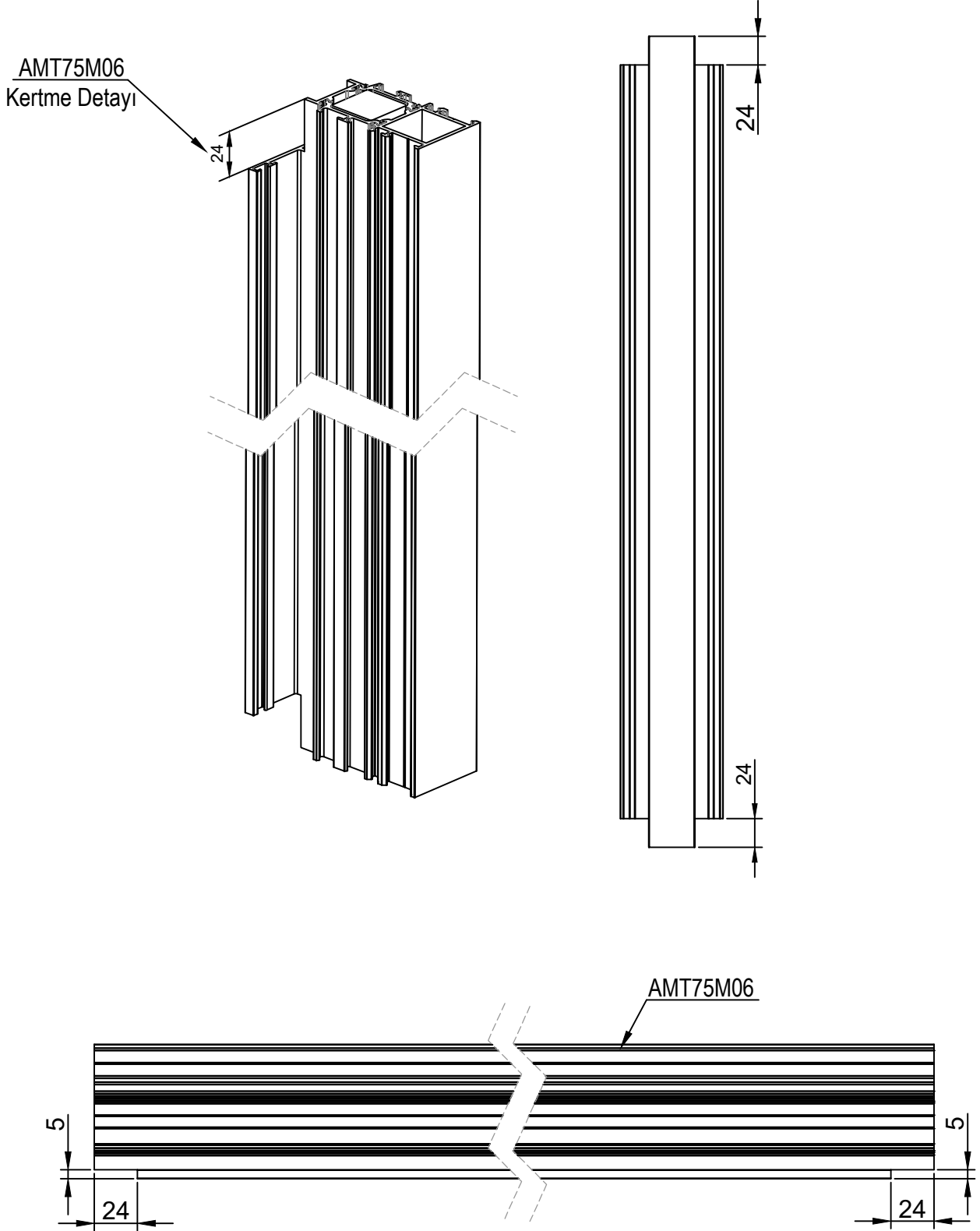
(6) ORTA KAYIT BAĞLANTI PROFİLLERİ  
MULLION CONNECTION PROFILES



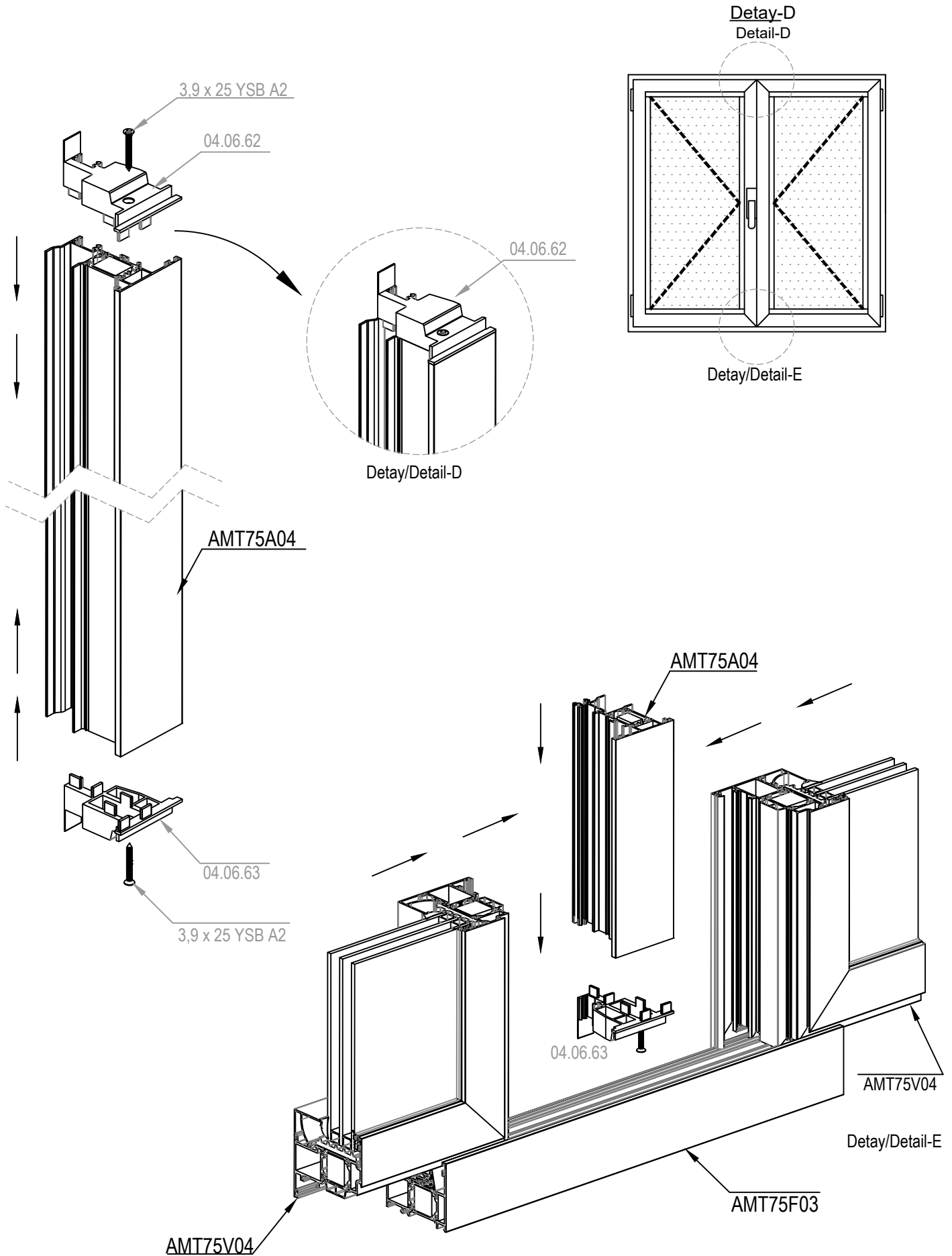
(7) ORTA KAYIT BAĞLANTI PROFİLLERİ  
MULLION CONNECTION PROFILES



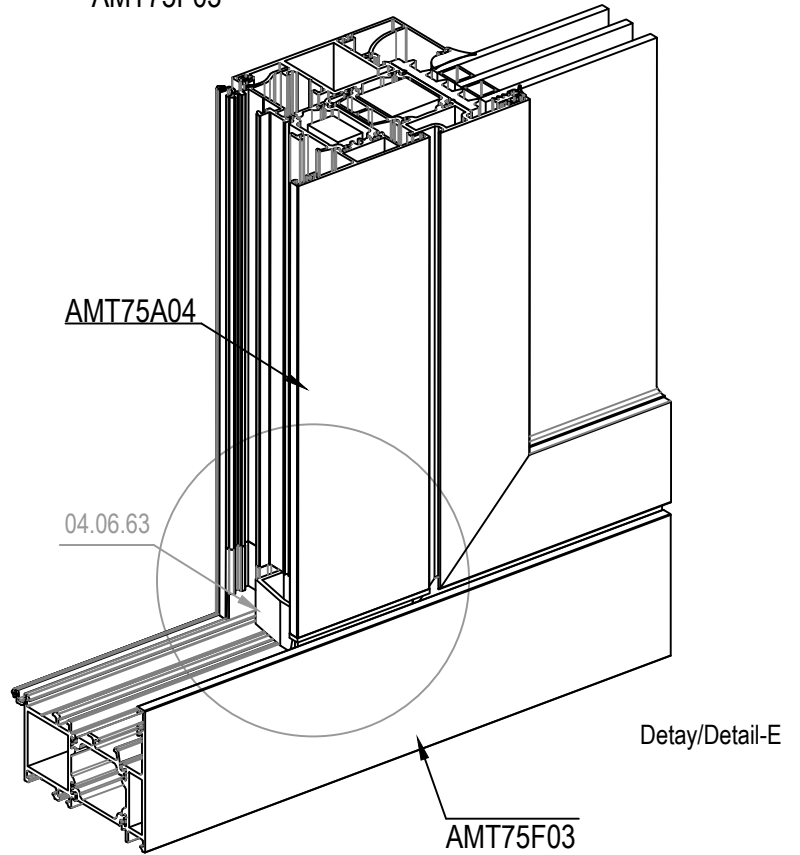
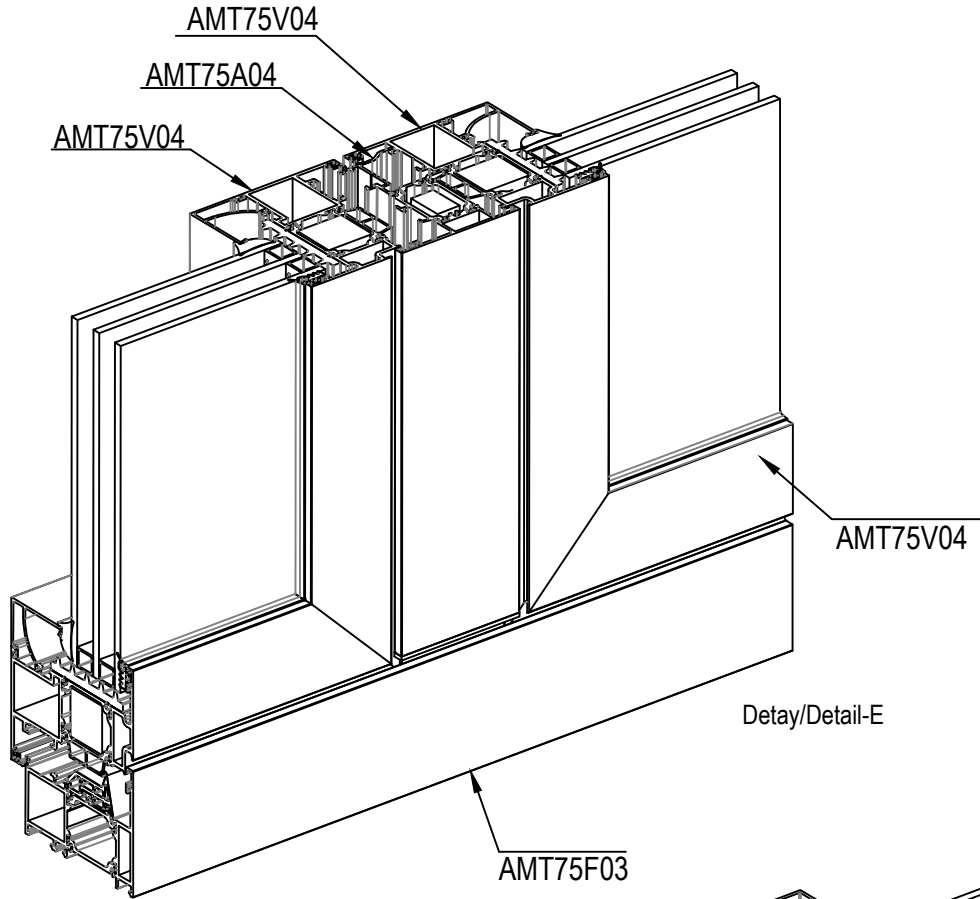
(8) ORTA KAYIT BAĞLANTISI KERTME DETAYI  
MULLION CONNECTION NOTCHING DETAILS



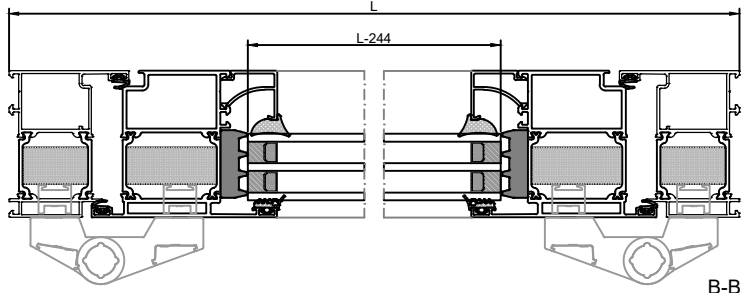
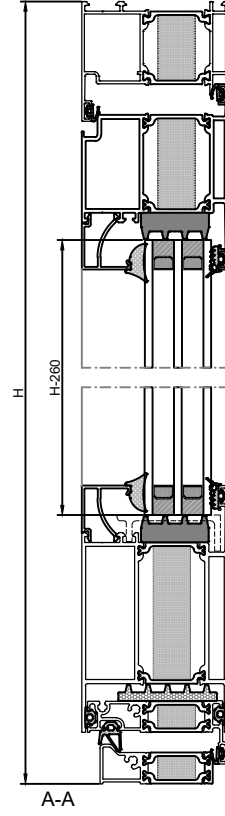
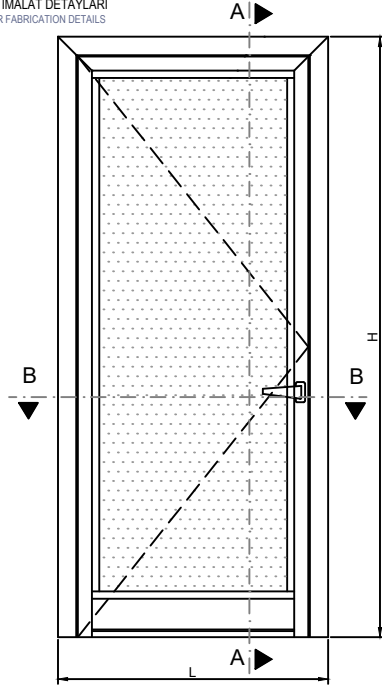
(9) ADAPTÖR PROFİLİ MONTAJ DETAYLARI  
ADAPTER PROFILE ASSEMBLY DETAILS



(10) ADAPTÖR PROFİLİ MONTAJ DETAYLARI  
ADAPTER PROFILE ASSEMBLY DETAILS



DIŐA AÇILIM HEMİYÜZ KAPI İMALAT DETAYLARI  
OUTWARD OPENING FLUSH DOOR FABRICATION DETAILS



B-B

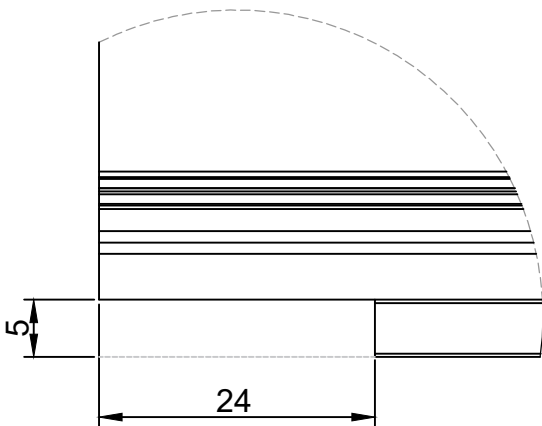
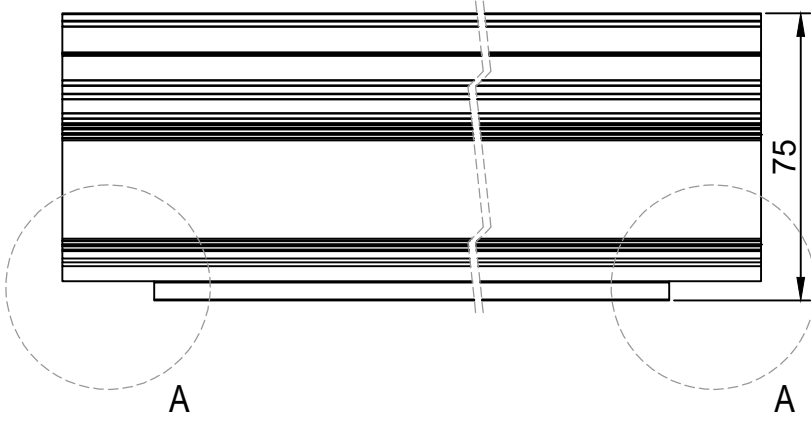
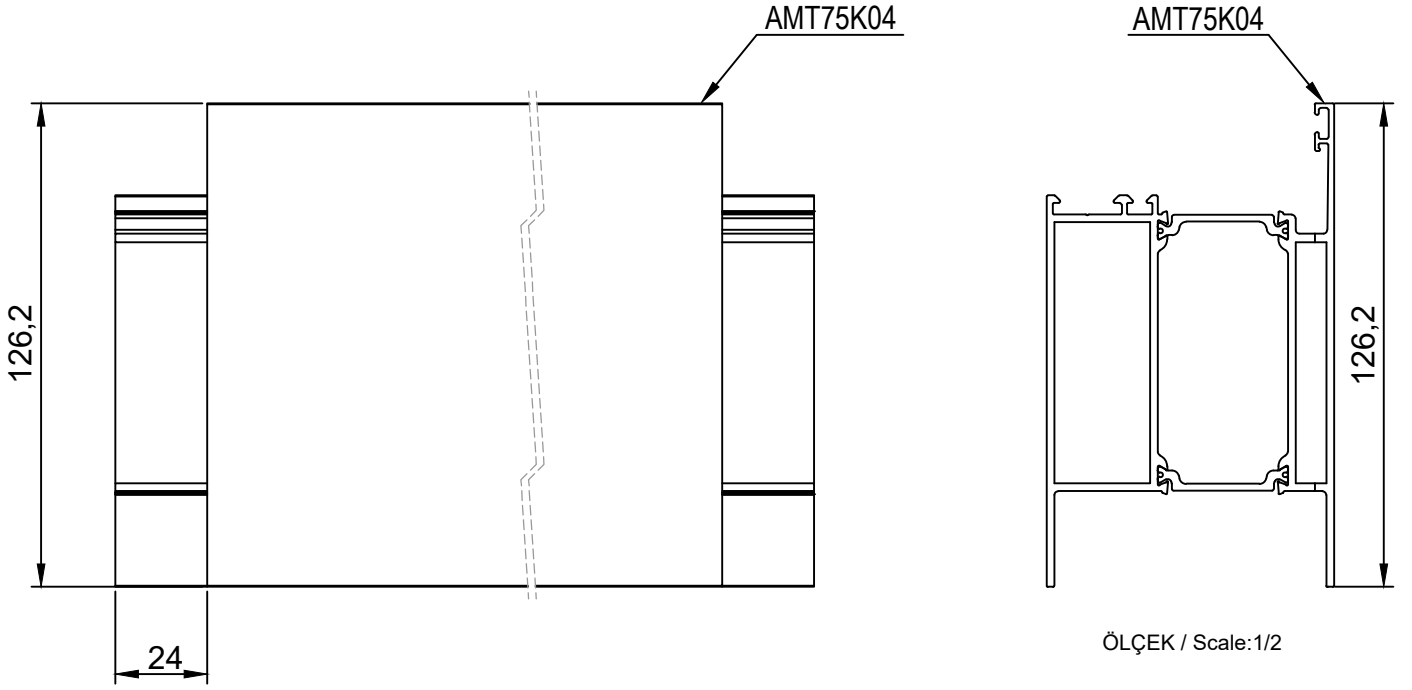
OLÇEK / Scale:1/2

RWT75

PROFİLLER / Profiles

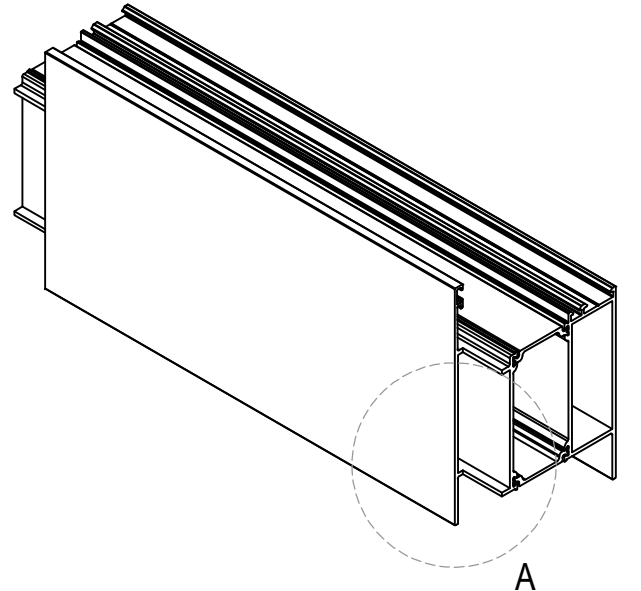
KOD code	PROFİL profile	ADET unit	KESİM ÖLÇÜSÜ Cutting Dimension
AMT75DF02		2	H
		1	L
AMT75DV04		2	H - 68,5
		1	L - 84,5
AMT75K04		1	L - 226
AMT75K03		1	L - 84,5
AMT75K02		1	L - 84
24G15		2	H - 290
		2	L - 226
CAM /Glass (w x h)/10 <sup>3</sup> =mm			H - 260
			L - 244

(1) AMT75K04 ETEK PROFİLİ KERTME ÖLÇÜLERİ  
AMT75K04 KICK PLATE PROFILE NOTCHING DETAILS

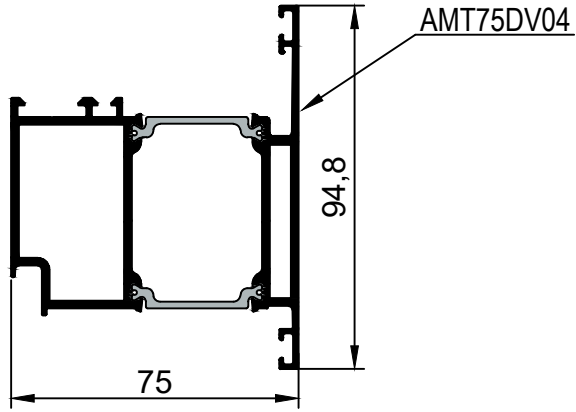


Detay/Detail-A

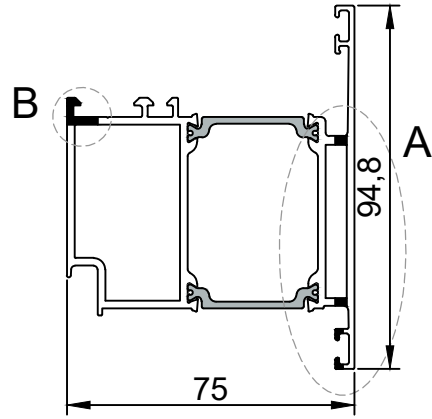
ÖLÇEK / Scale:3/1



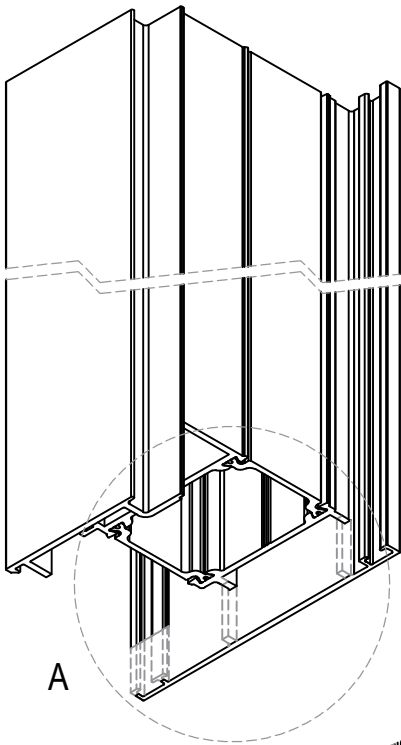
(2) AMT75DV04 KANAT PROFİLİ KERTME ÖLÇÜLERİ  
AMT75DV04 VENT PROFILE NOTCHING DETAILS



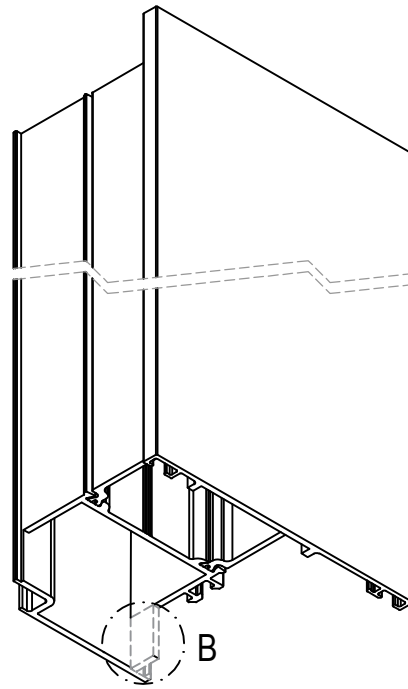
ÖLÇEK / Scale:1/2



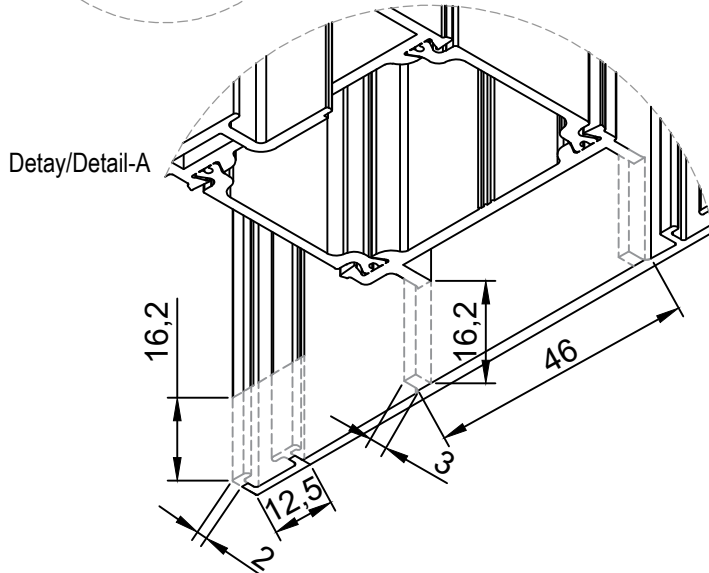
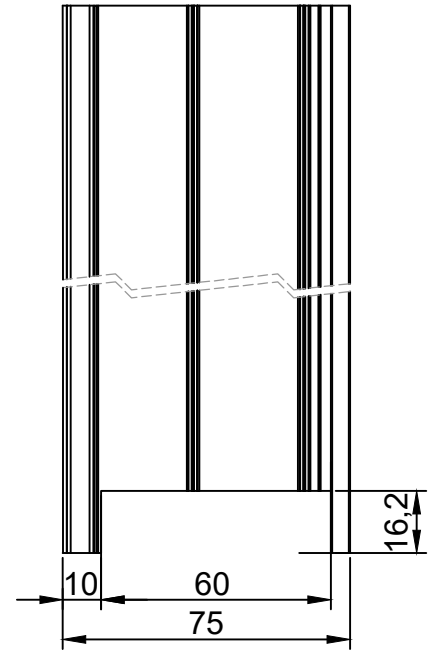
ÖLÇEK / Scale:1/2



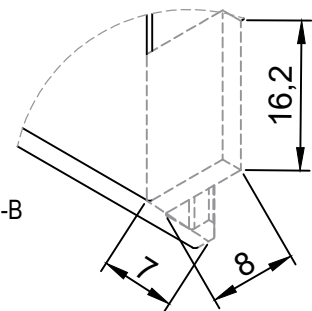
A



B

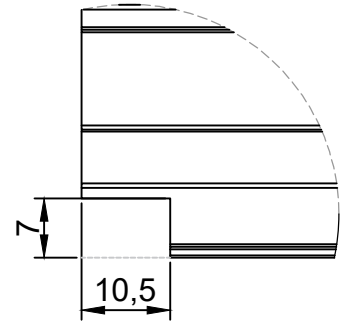
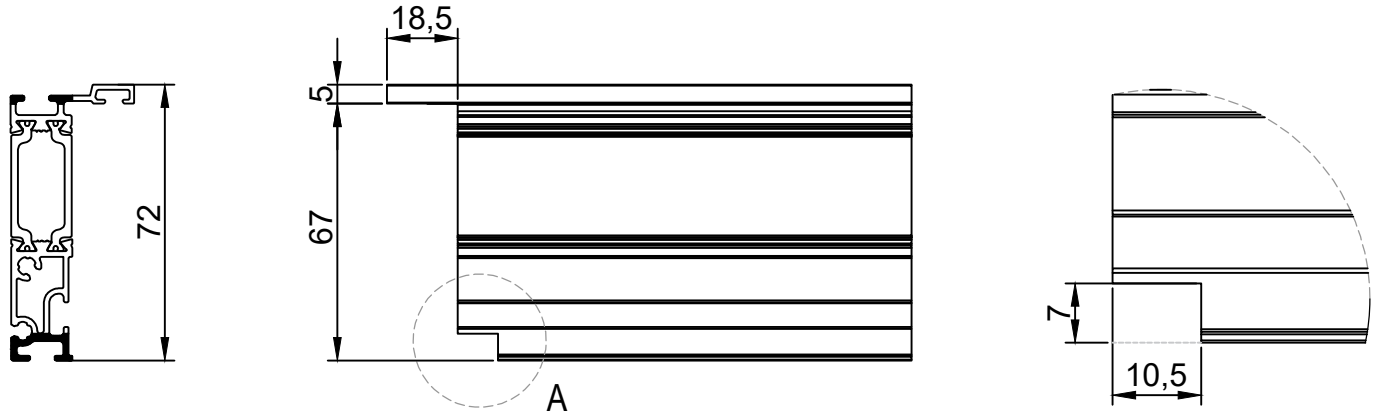
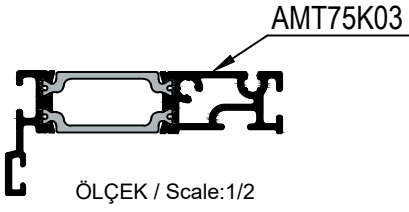


Detay/Detail-A

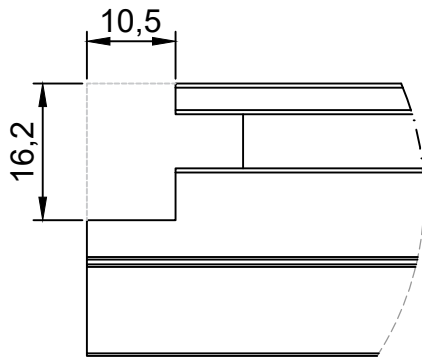
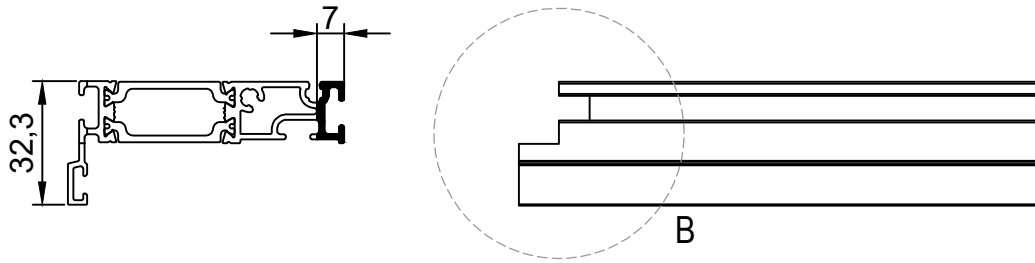


Detay/Detail-B

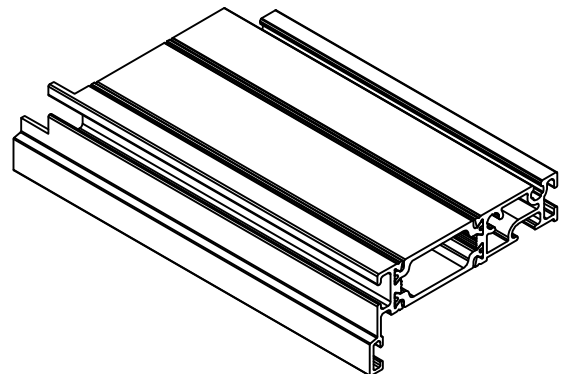
(3) AMT75K03 ADAPTÖR PROFİLİ KERTME ÖLÇÜLERİ  
AMT75K03 ADAPTER PROFILE NOTCHING DETAILS



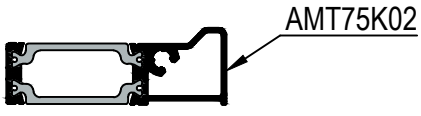
Detay/Detail-A



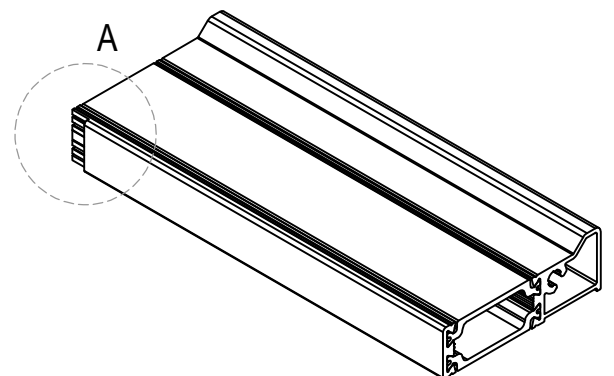
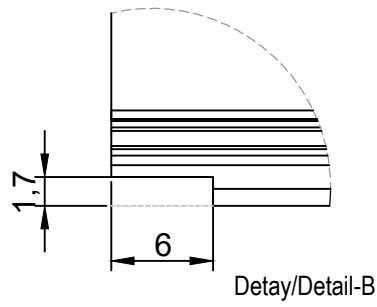
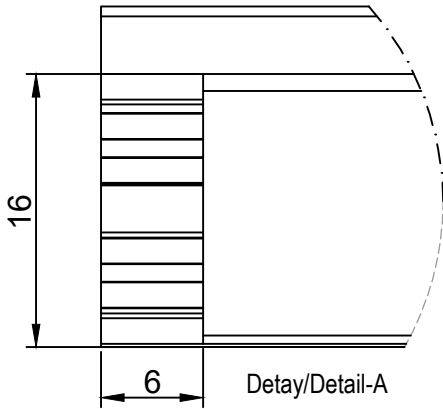
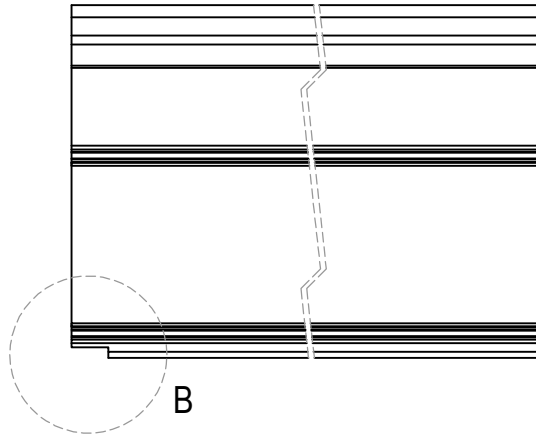
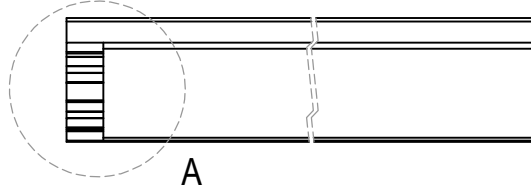
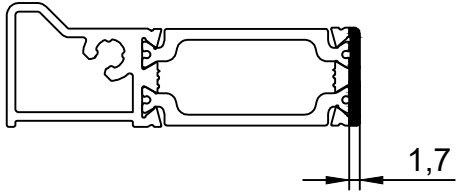
Detay/Detail-B



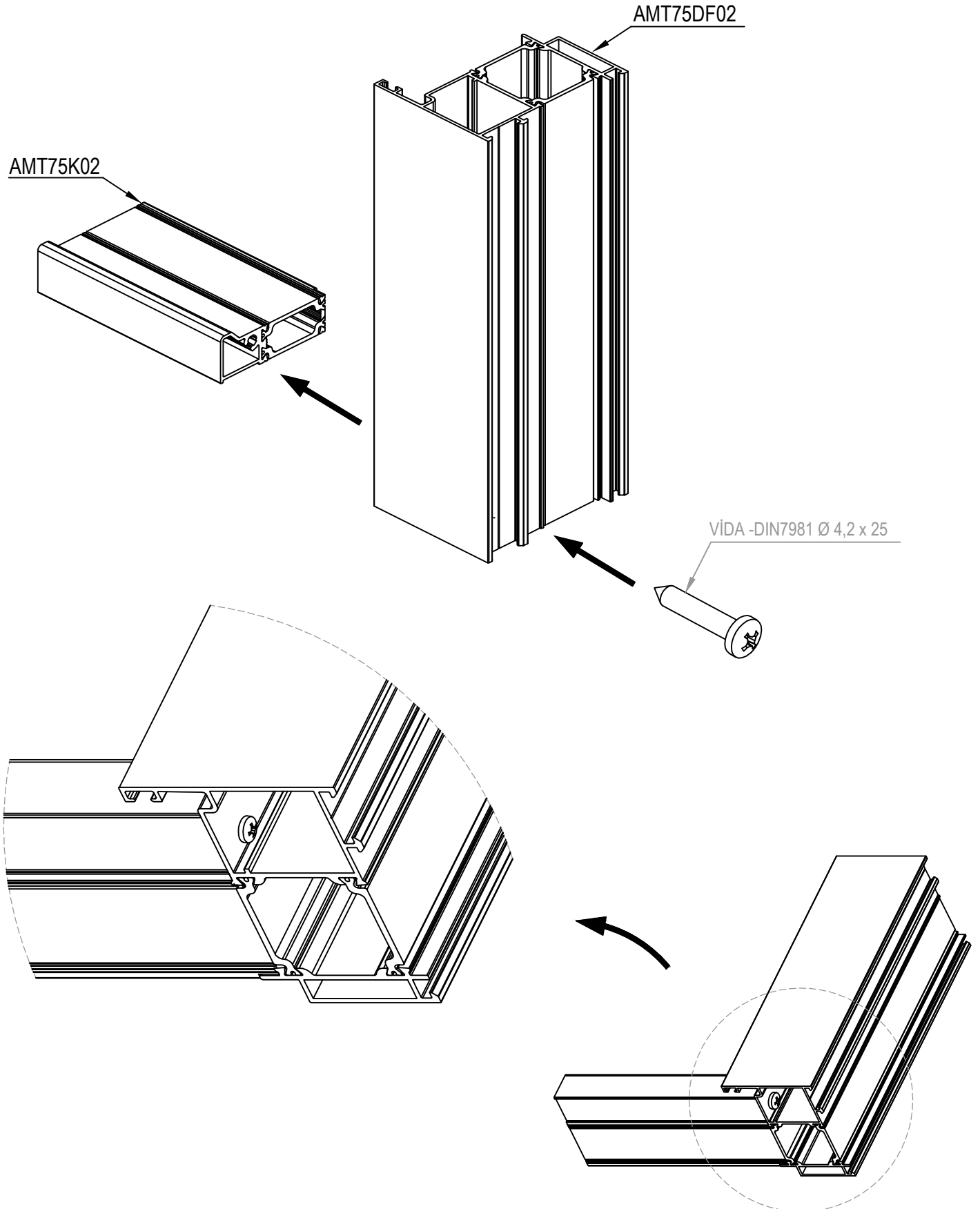
(4) AMT75K02 EŞİK PROFİLİ KERTME ÖLÇÜLERİ  
AMT75K02 THRESHOLD PROFILE NOTCHING DETAILS



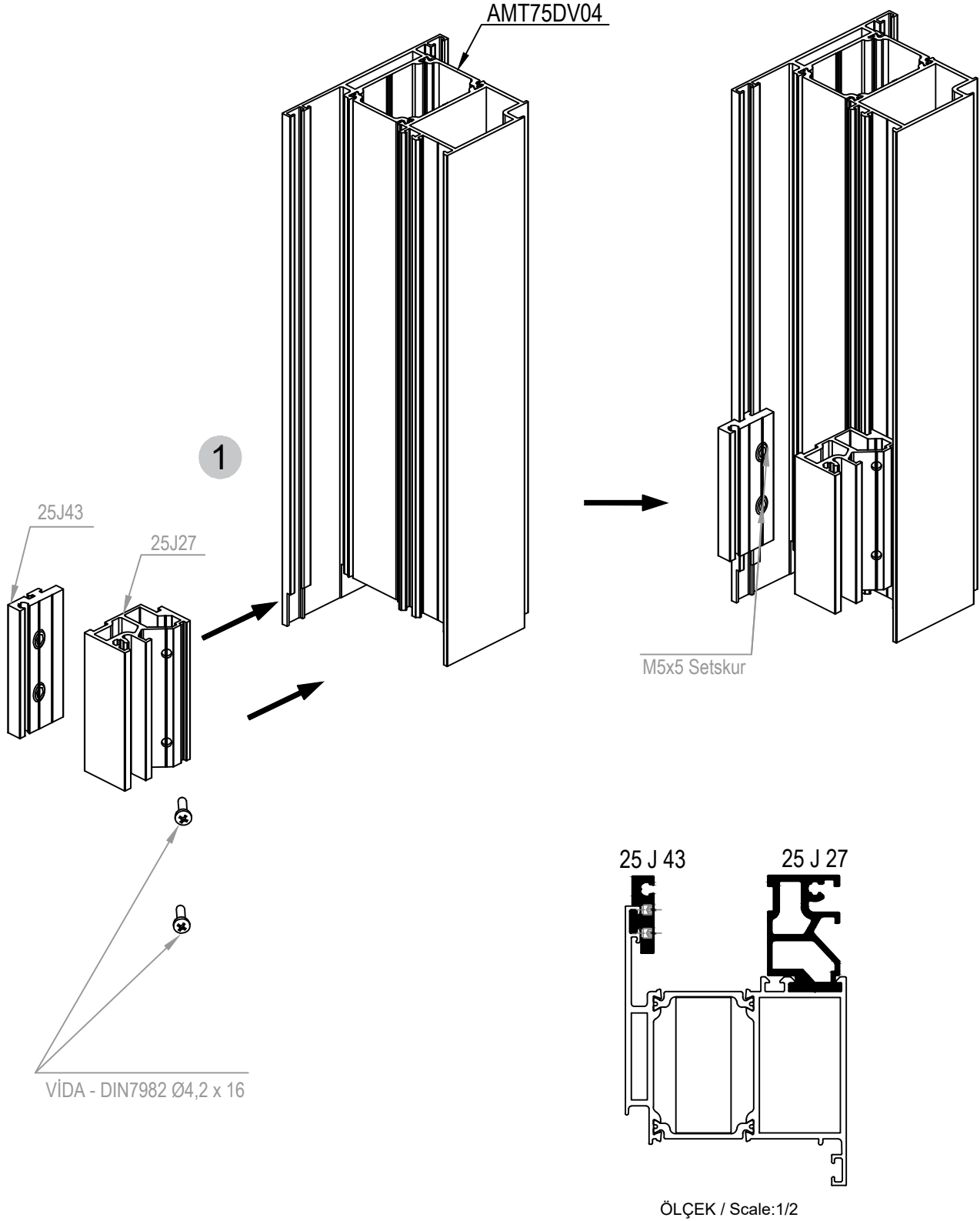
ÖLÇEK / Scale:1/2



(5) AMT75K02 EŞİK PROFİLİ MONTAJ DETAYLARI  
AMT75K02 THRESHOLD PROFILE ASSEMBLY DETAILS

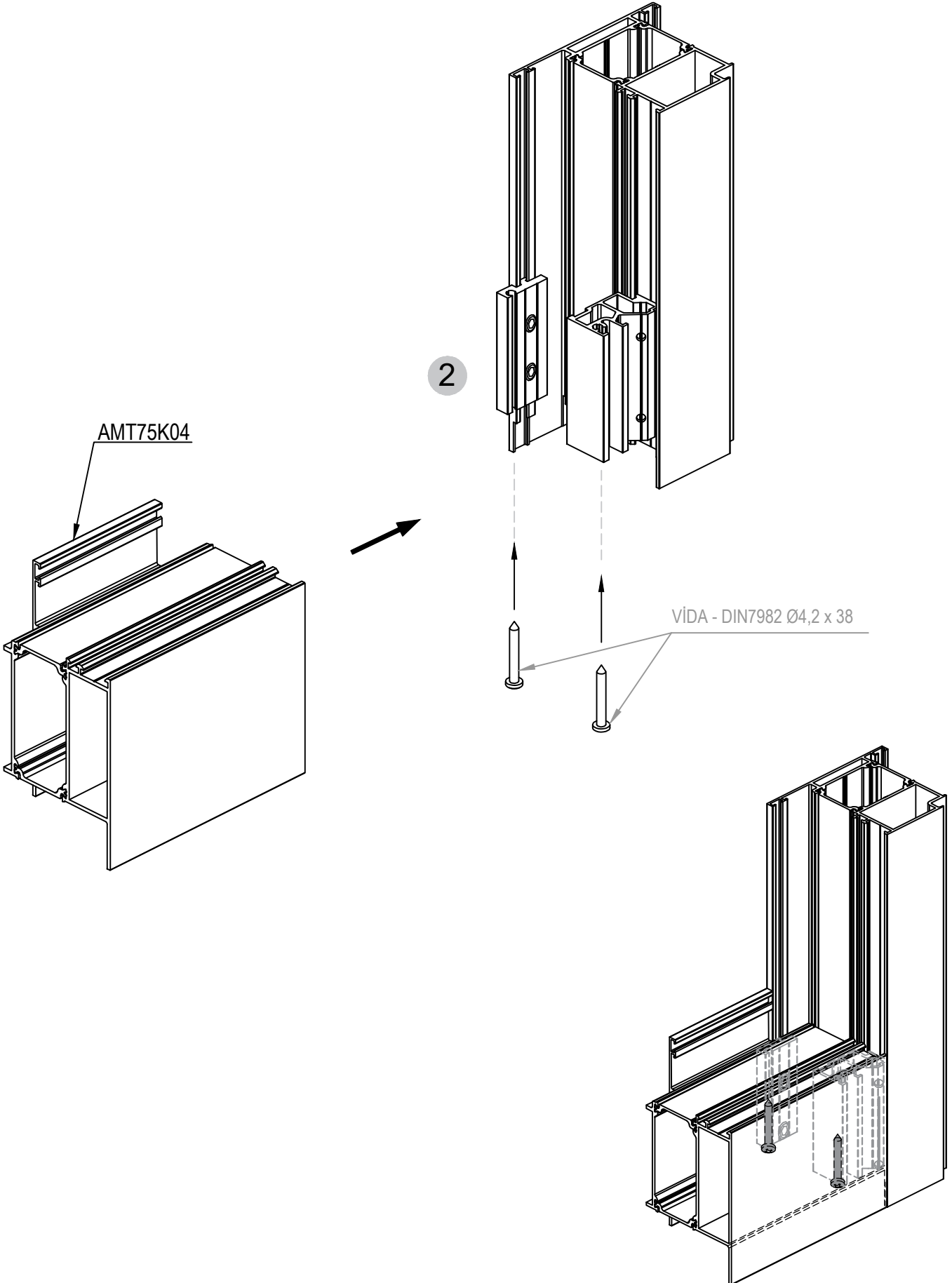


(6) AMT75DV04 KANAT ve AMT75K04 ETEK PROFİLİ BAĞLANTI DETAYLARI-1  
AMT75DV04 VENT and AMT75K04 KICK PLATE PROFILE CONNECTION DETAILS-1

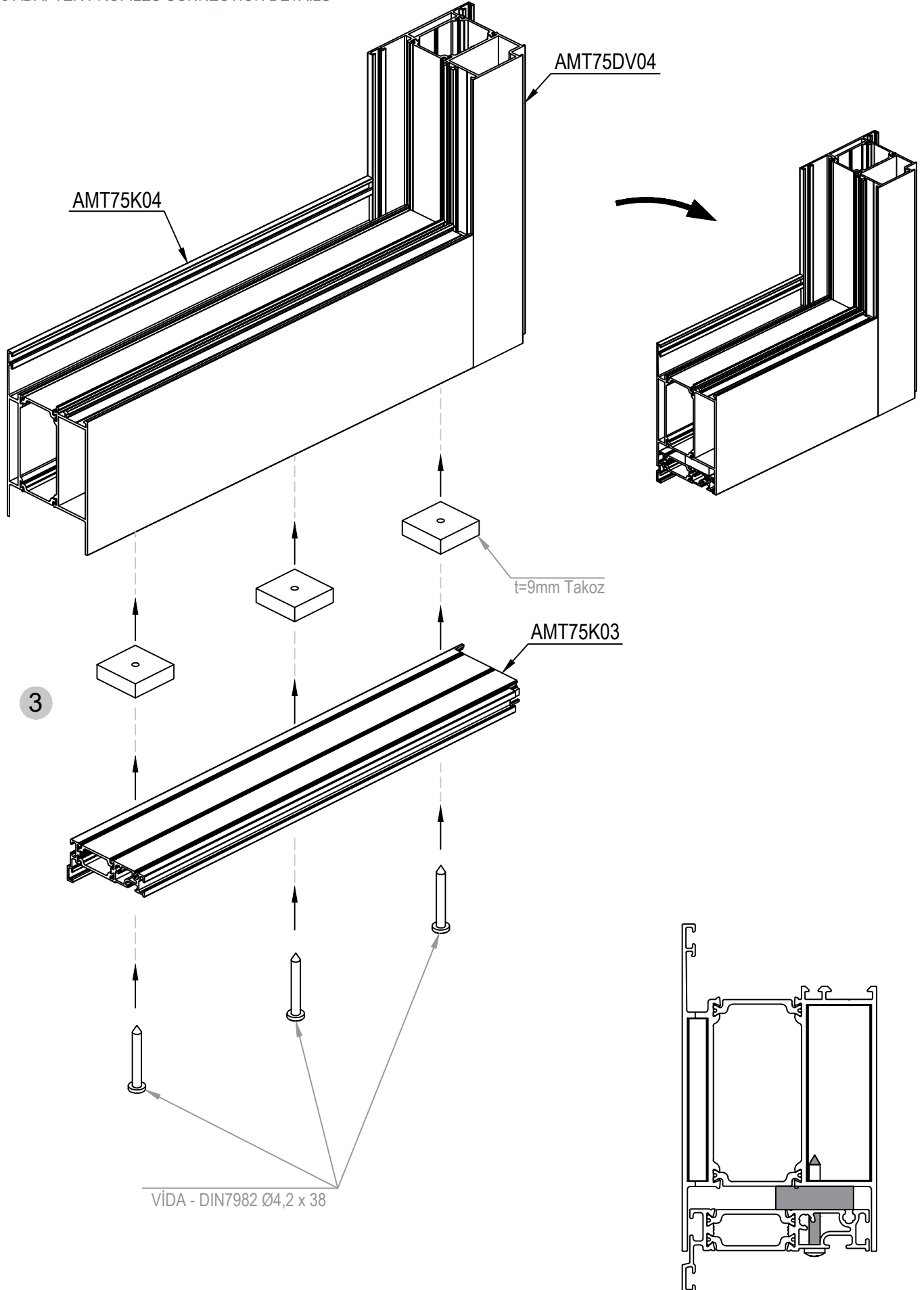


# İMALAT DETAYLARI FABRICATION DETAILS

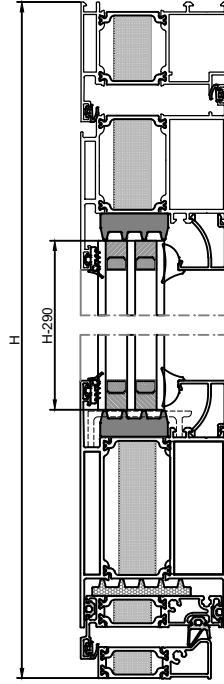
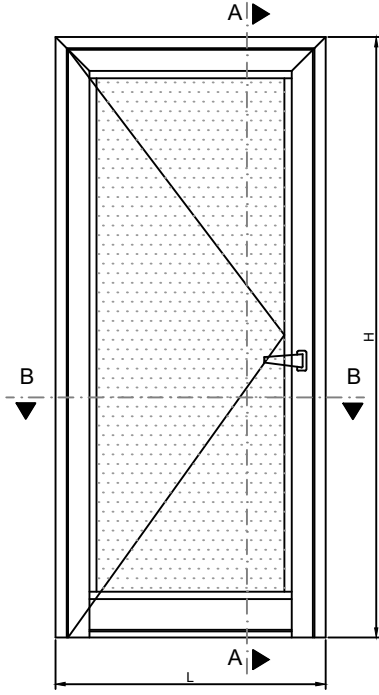
## (7) AMT75K04 ETEK PROFİLİ BAĞLANTI DETAYLARI-2 AMT75K04 KICK PLATE PROFILE CONNECTION DETAILS-2



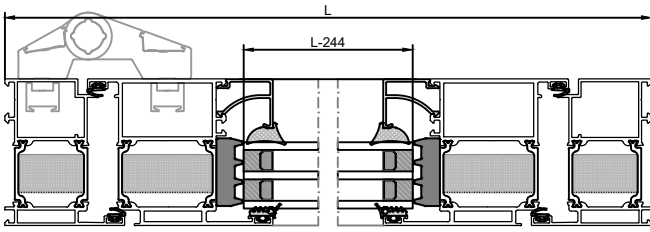
(8) AMT75K03-AMT75K04 PROFİLLERİ BAĞLANTI DETAYLARI  
AMT75K03 ADAPTER PROFILES CONNECTION DETAILS



İÇE AÇILIM HEMYÜZ KAPI İMALAT DETAYLARI  
INWARD OPENING FLUSH DOOR FABRICATION DETAILS



A-A

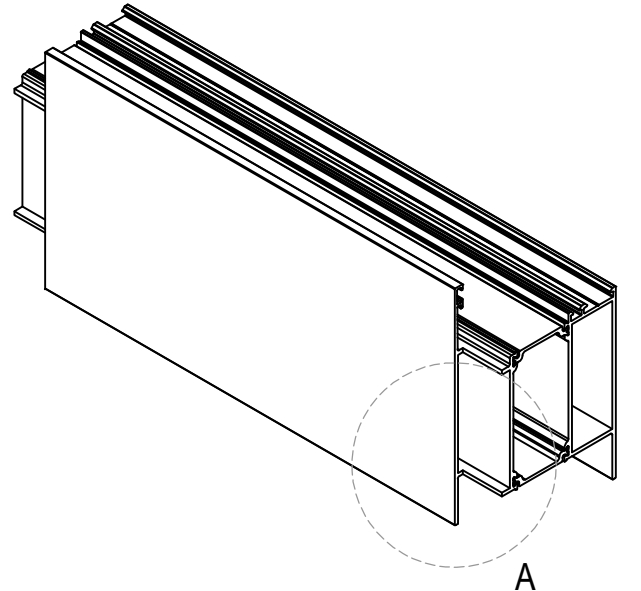
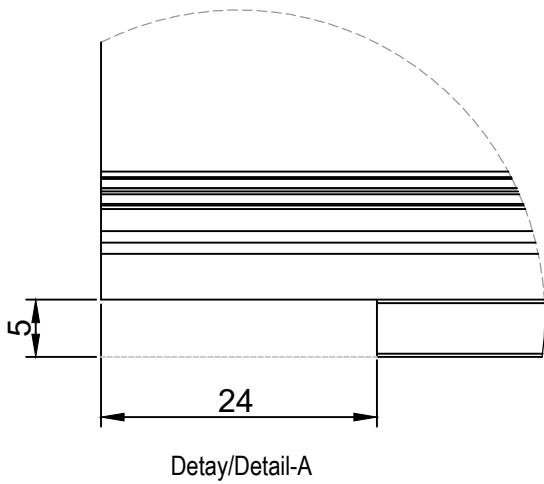
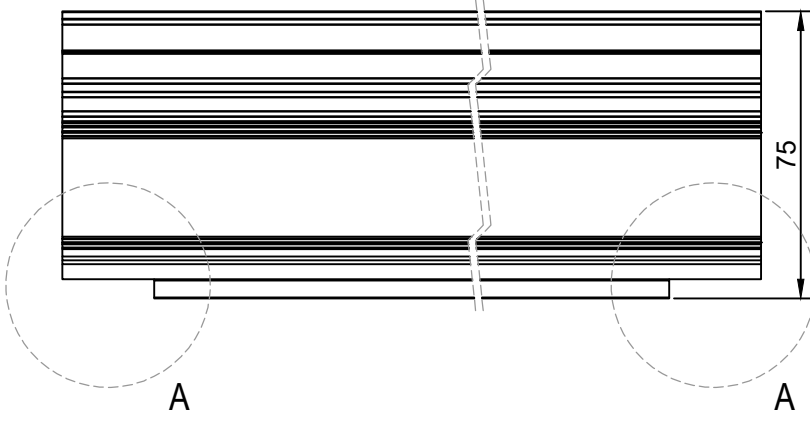
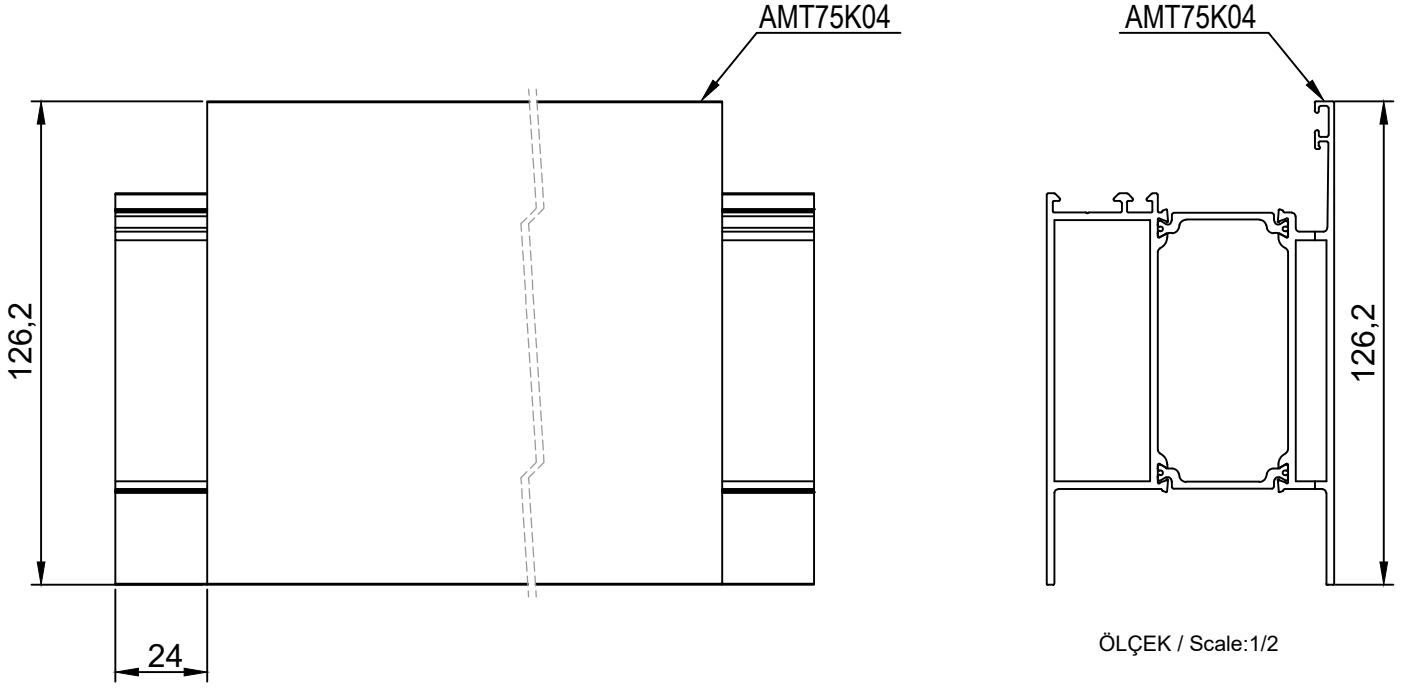


B-B

ÖLÇEK / Scale:1/2

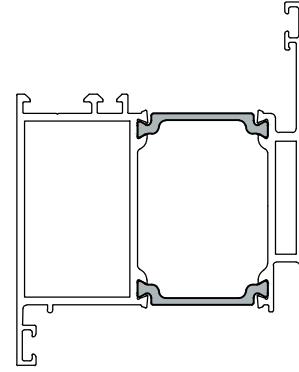
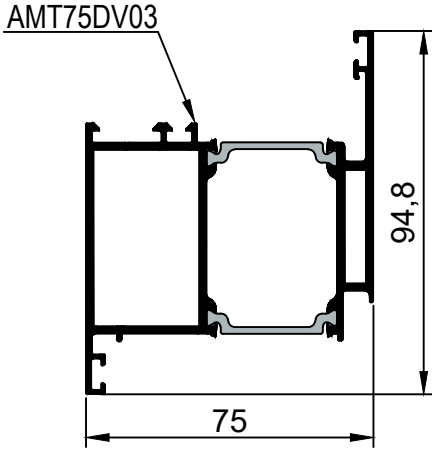
KOD code	PROFİL profile	ADET unit	KESİM ÖLÇÜSÜ Cutting Dimension	
AMT75DF01		2	H	
		1	L	
AMT75DV03		2	H - 68,4	
		1	L - 84,6	
AMT75K04		1	L - 274	
AMT75K03		1	L - 84,6	
AMT75K02		1	L - 84,2	
24G15		2	H - 290	
		2	L - 226	
CAM /Glass (w x h)/10 <sup>3</sup> =mm			1	H - 260 L - 244

(1) AMT75K04 ETEK PROFİLİ KERTME ÖLÇÜLERİ  
AMT75K04 KICK PLATE PROFILE NOTCHING DETAILS

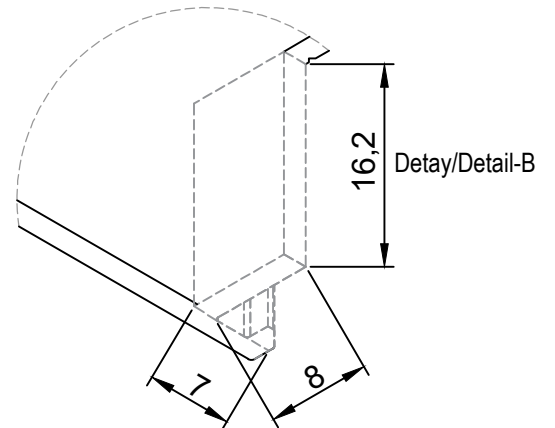
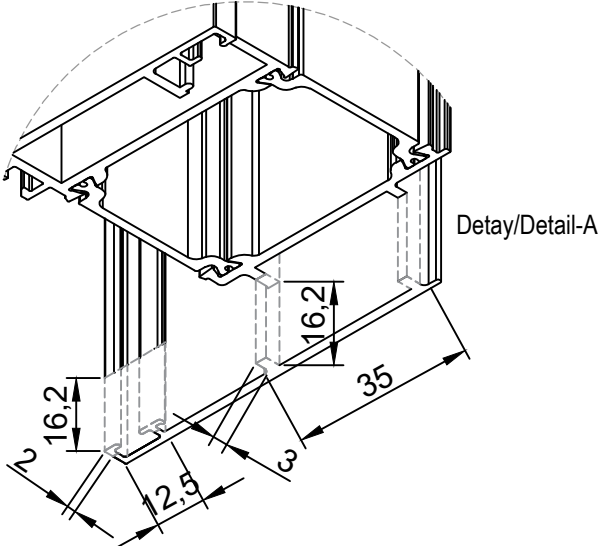
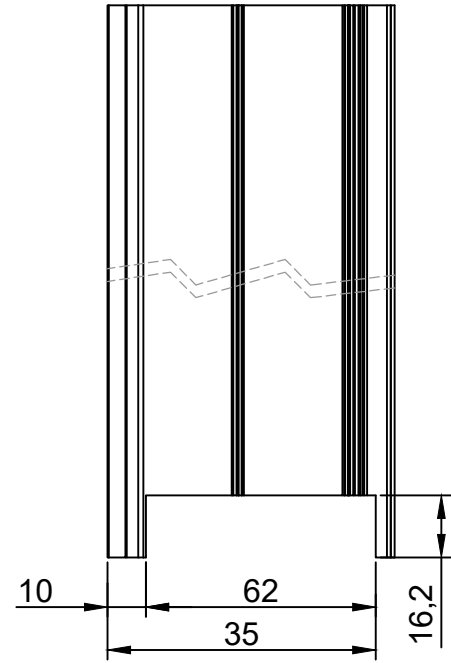
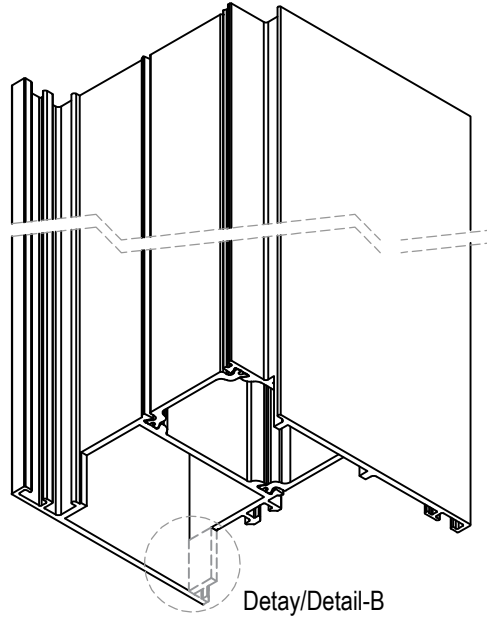
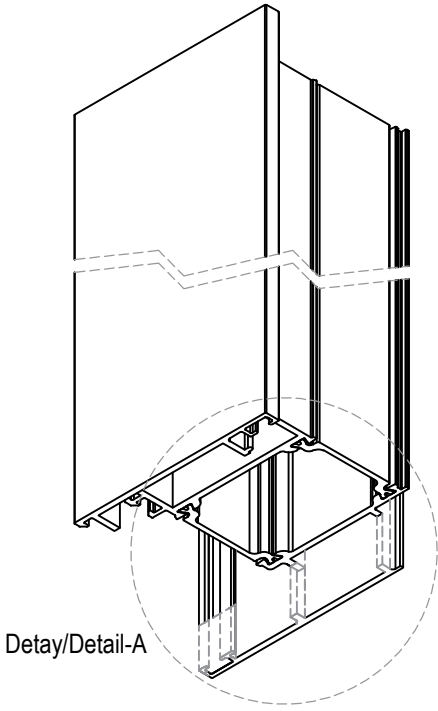


ÖLÇEK / Scale:3/1

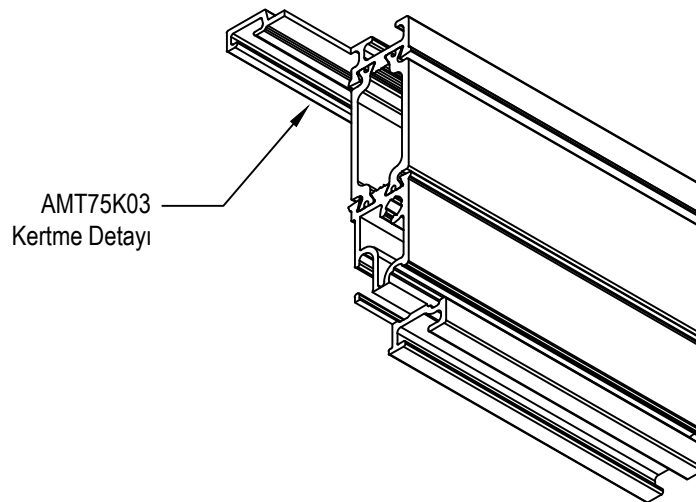
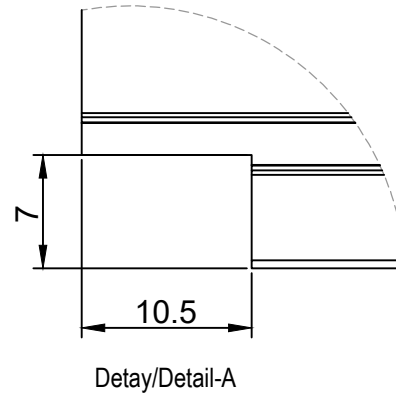
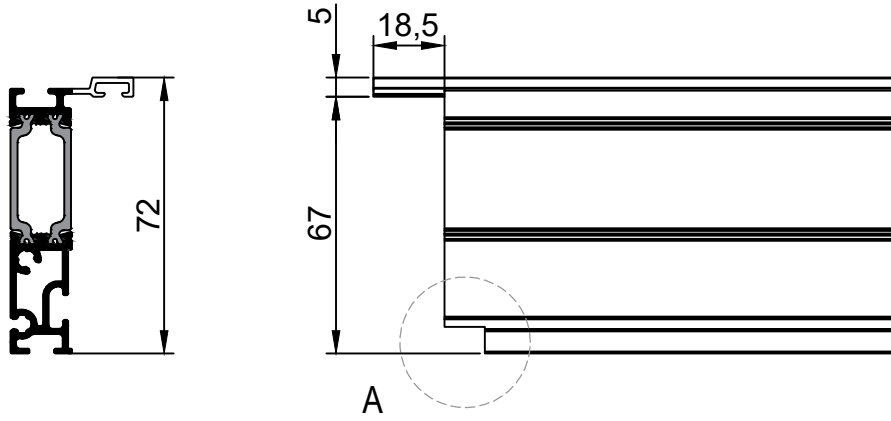
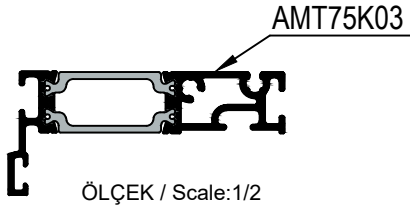
(2) AMT75DV03 KANAT PROFİLİ KERTME ÖLÇÜLERİ  
AMT75DV03 VENT PROFILE NOTCHING DETAILS



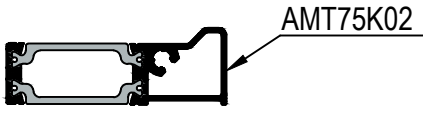
ÖLÇEK / Scale: 1/2



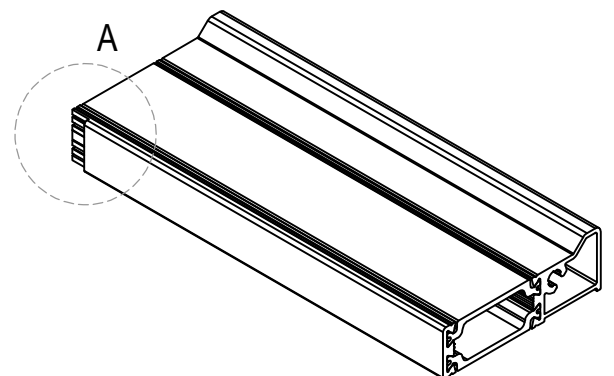
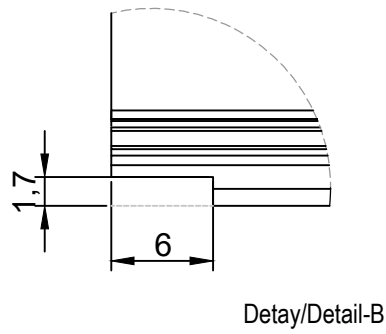
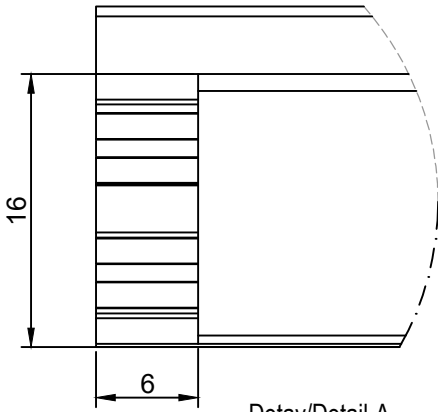
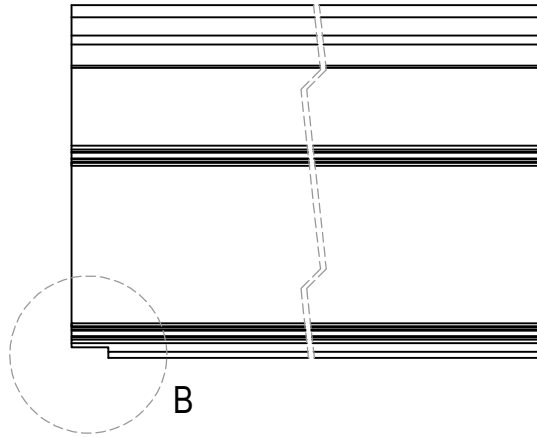
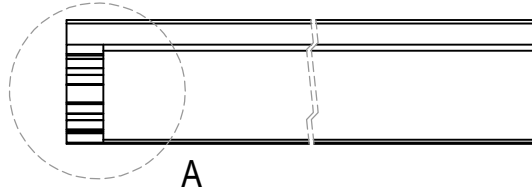
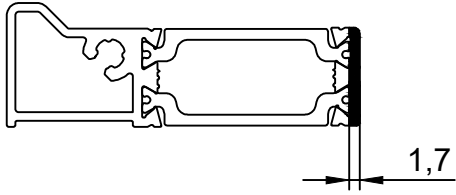
(3) AMT75K03 ADAPTÖR PROFİLİ KERTME ÖLÇÜLERİ  
AMT75K03 ADAPTER PROFILE NOTCHING DETAILS



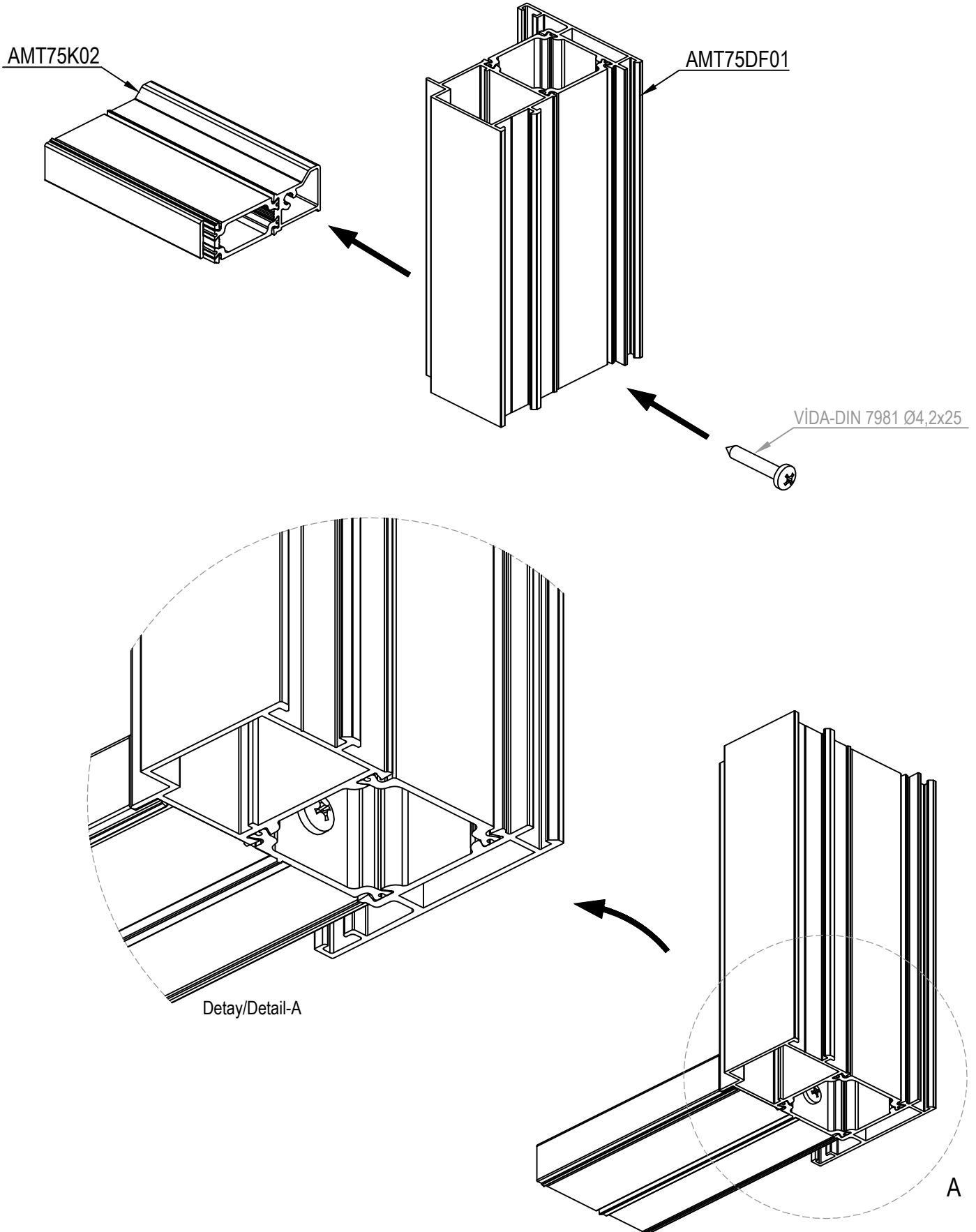
(4) AMT75K02 EŞİK PROFİLİ KERTME ÖLÇÜLERİ  
AMT75K02 THRESHOLD PROFILE NOTCHING DETAILS



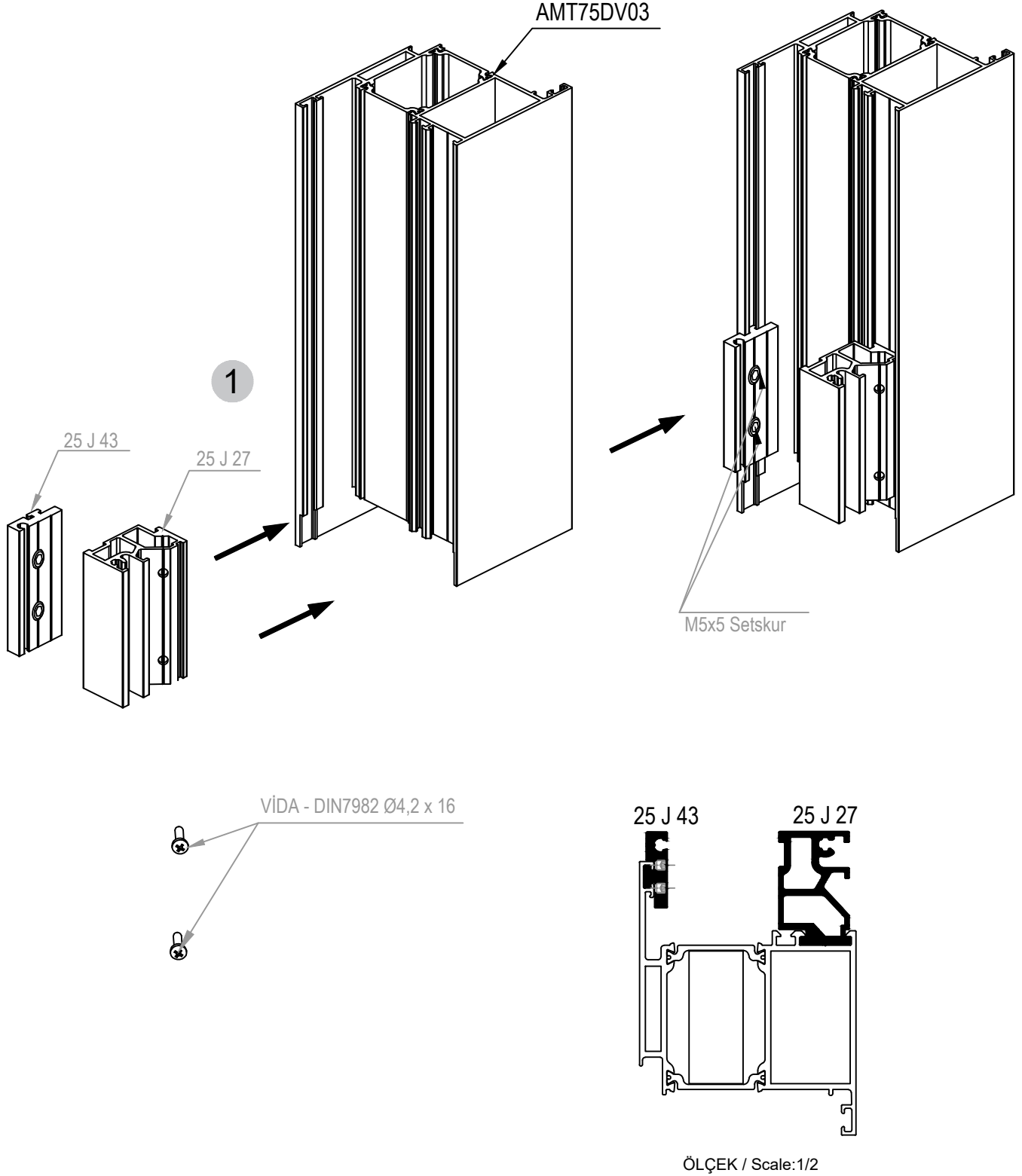
ÖLÇEK / Scale: 1/2



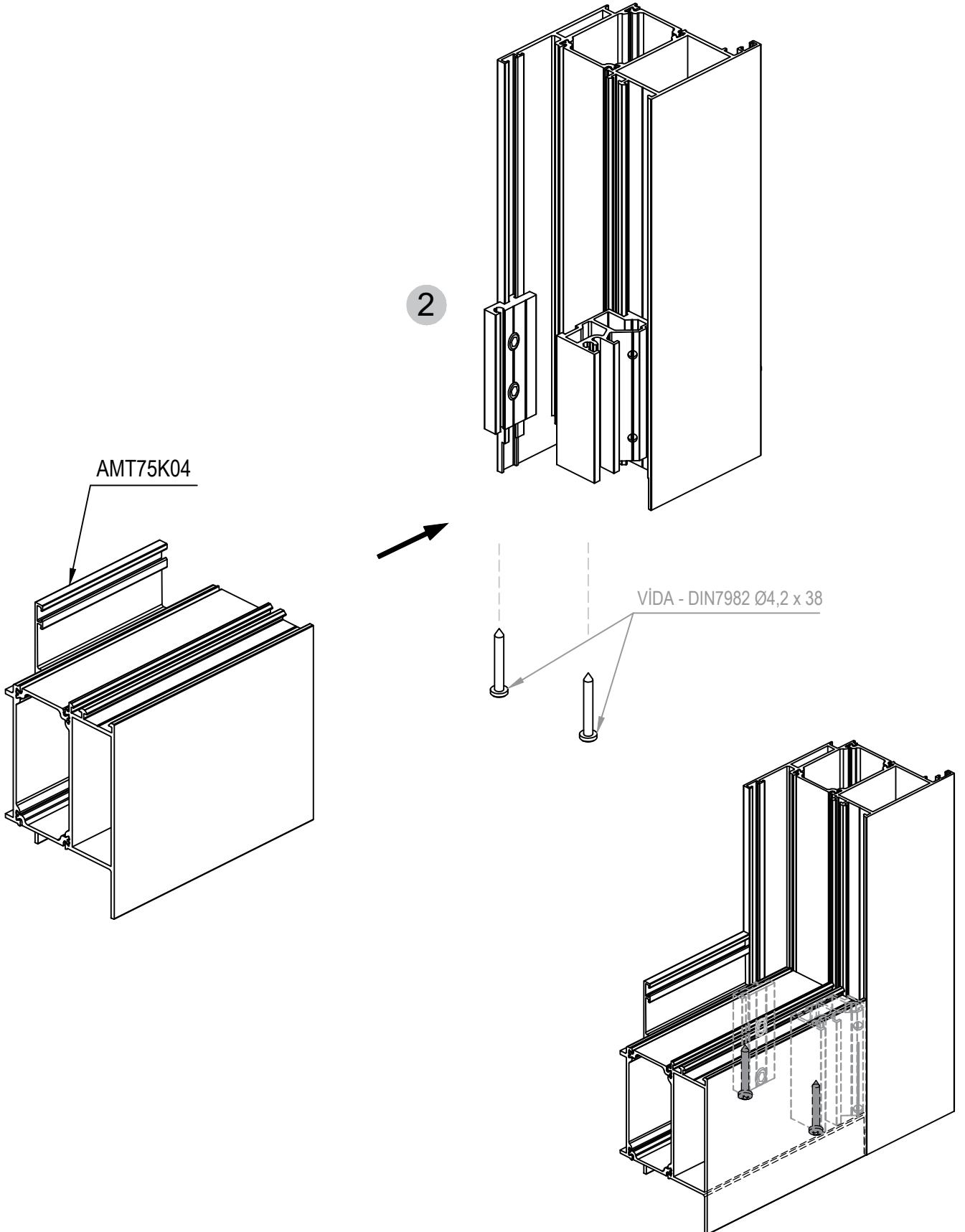
(5) AMT75K02 EŞİK PROFİLİ MONTAJ DETAYLARI  
AMT75K02 THRESHOLD PROFILE ASSEMBLY DETAILS



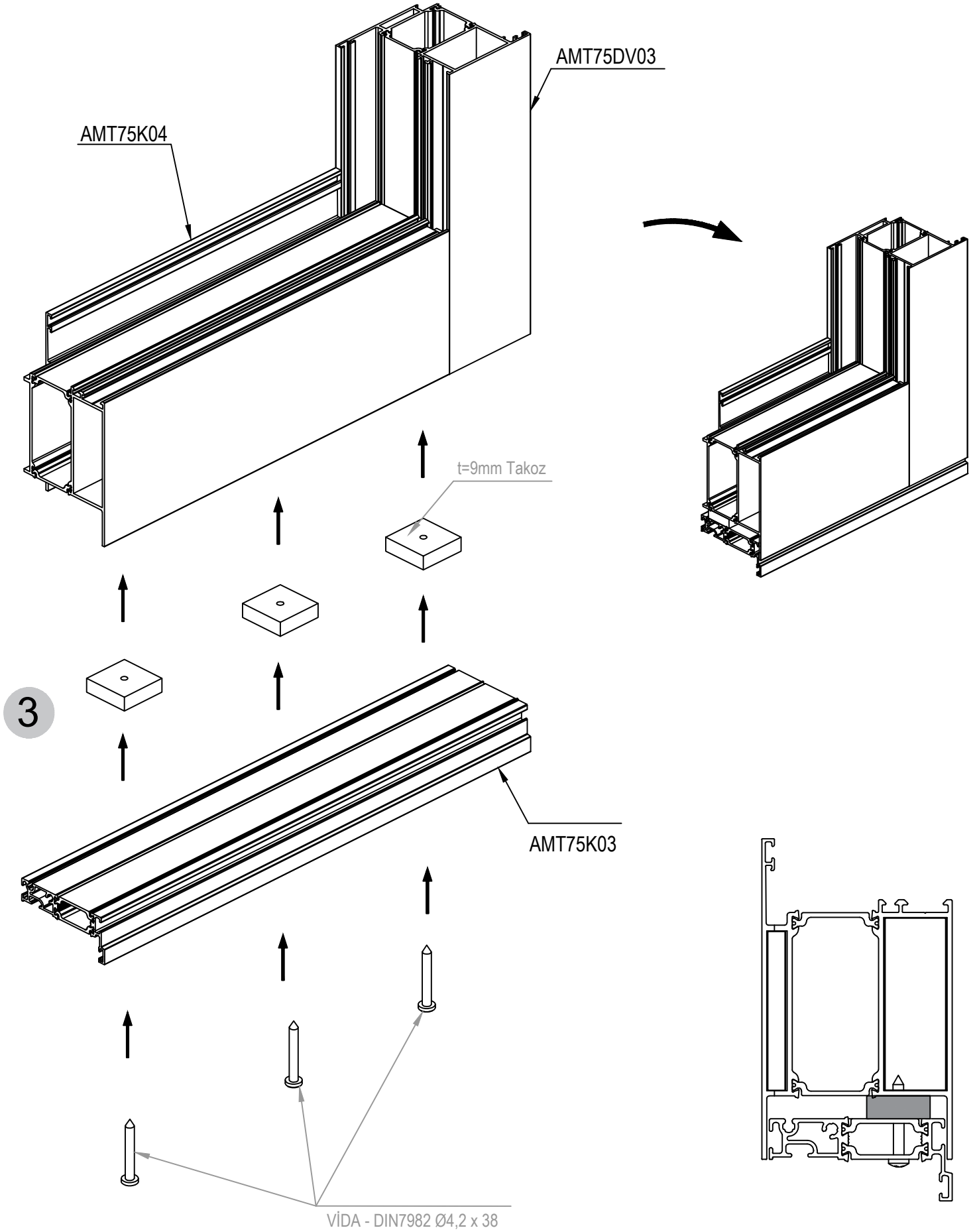
(6) AMT75DV03 KANAT ve AMT75K04 ETEK PROFİLİ BAĞLANTI DETAYLARI-1  
AMT75DV03 VENT and AMT75K04 KICK PLATE PROFILE CONNECTION DETAILS-1

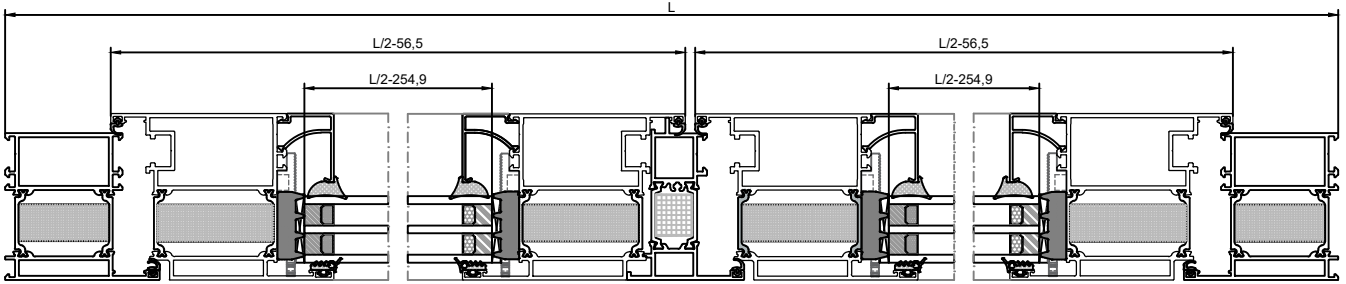
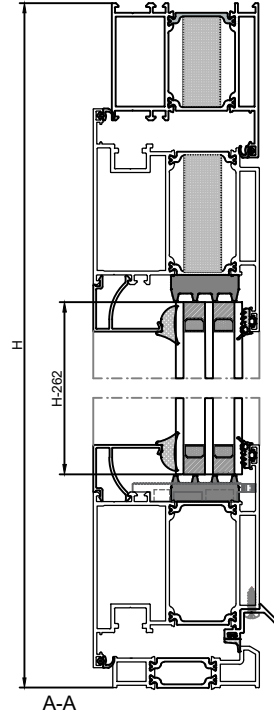
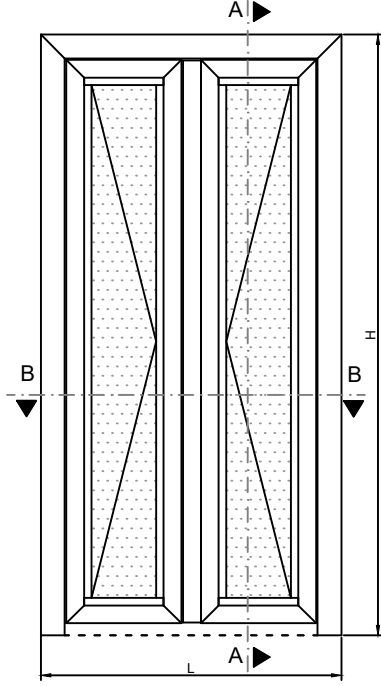


(7) AMT75DV03 KANAT ve AMT75K04 ETEK PROFİLİ BAĞLANTI DETAYLARI-2  
AMT75DV03 VENT and AMT75K04 KICK PLATE PROFILE CONNECTION DETAILS-2



(8) AMT75K03-AMT75K04 PROFİLLERİ BAĞLANTI DETAYLARI  
AMT75K03 ADAPTER PROFILES CONNECTION DETAILS





B-B






OLÇEK / Scale:1/2

İMALAT DETAYLARI  
FABRICATION DETAILS

RWT75






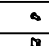
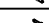
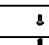


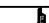
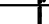



ÇİFT KANAT DIŞA AÇILIR KAPI DETAYI KESİM ÖLÇÜLERİ  
DETAIL CUTTING DIMENSIONS

PROFİLLER / Profiles






KOD code	PROFİL profile	ADET unit	KESİM ÖLÇÜSÜ Cutting Dimension
1		2	H
		1	L
2		1	L-124
3		4	H - 64mm.
		4	L/2 - 56,5mm.
4		1	H - 128
5		1	L/2 - 44,5mm
		1	L/2 - 92,5mm

CAM /Class (w x h)/10 <sup>2</sup> =mm	1	H - 260
	2	L/2 - 254,9

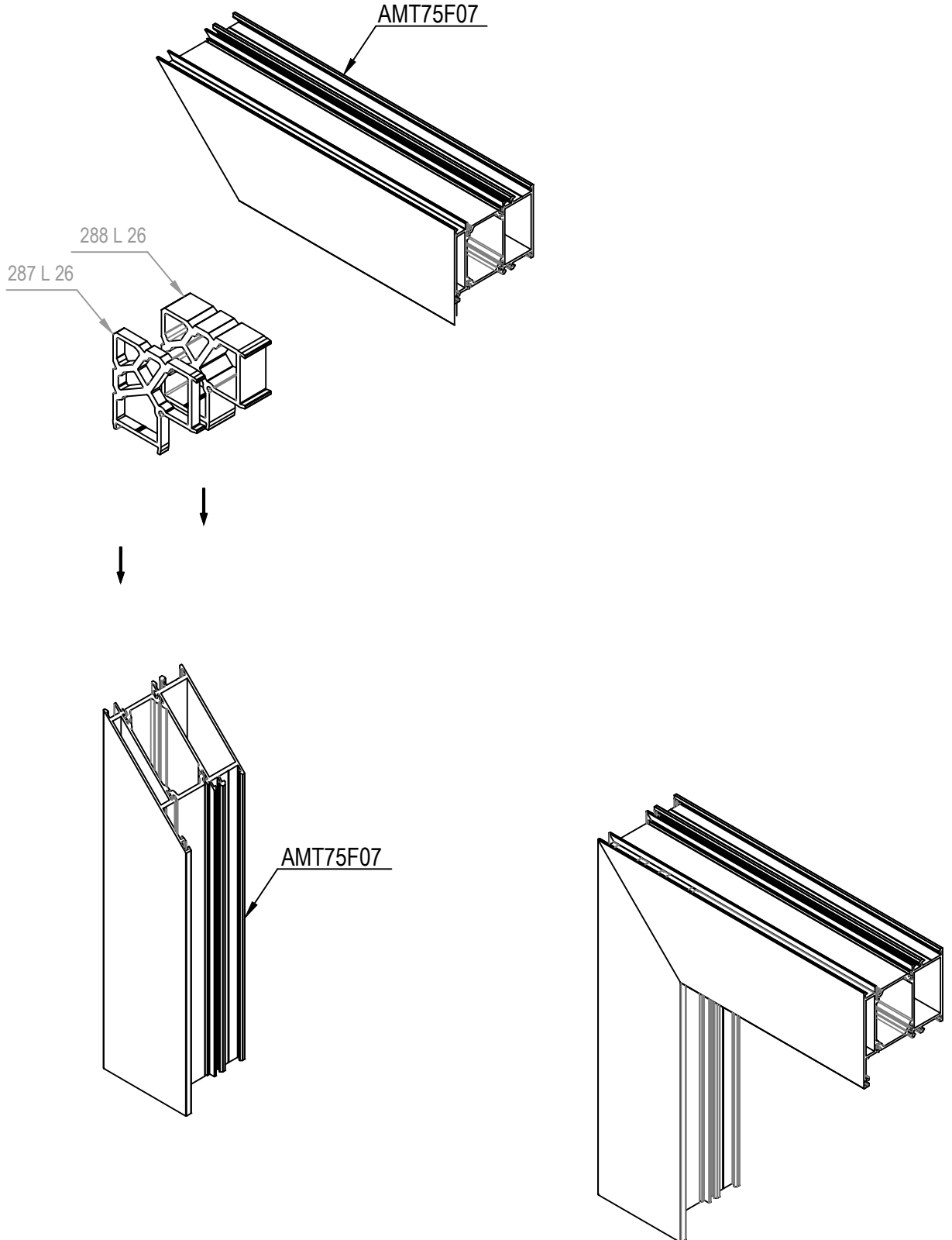
AKSESUARLAR/ Accessories

RESİM picture	KOD code	AÇIKLAMA explanation	ADET unit	KESİM ÖLÇÜSÜ Cutting Dimension
	287 L 26	KÖŞE TAKOZU corner gasket	2	7.6mm.
	288 L 26	KÖŞE TAKOZU corner gasket	2	24.6mm.
	324 L 22	KÖŞE TAKOZU coffler gasket	4	14.8mm.
	375 L 22	KÖŞE TAKOZU coffler gasket	4	27.4mm.
	04.06.86A	ADAPTOR PLASTIĞI - ALT adaptor cap - bottom	1	-
	04.06.86B	ADAPTOR PLASTIĞI - ÜST adaptor cap - top	1	-
	04.13.09A	ESİK PLASTIĞI - SAĞ threshold cap - right	1	-
	04.13.09B	ESİK PLASTIĞI - SOL threshold cap - left	1	-
	-	VIDA - DIN7981 Ø 4.2 x 13 screw - DIN7981 Ø 4.2 x 13	4	-
	-	MENTEŞE hinge	4	-
	-	VIDA - DIN7981 Ø 4.2 x 25 screw - DIN7981 Ø 4.2 x 25	8	-
	-	VIDA - DIN7981 Ø 4.2 x 16 screw - DIN7981 Ø 4.2 x 16	2	-
	18.03.01	KAPI SÜRÜŞÜSÜ door stop	2	-
	-	VIDA - DIN7981 Ø 3.9 x 13 screw - DIN7981 Ø 3.9 x 13	8	-
	-	KAPI KOLU door handle	2	-
	-	KİLİT lock	1	-
	-	KİLİT KARŞILIK PARÇASI locking pin	1	-

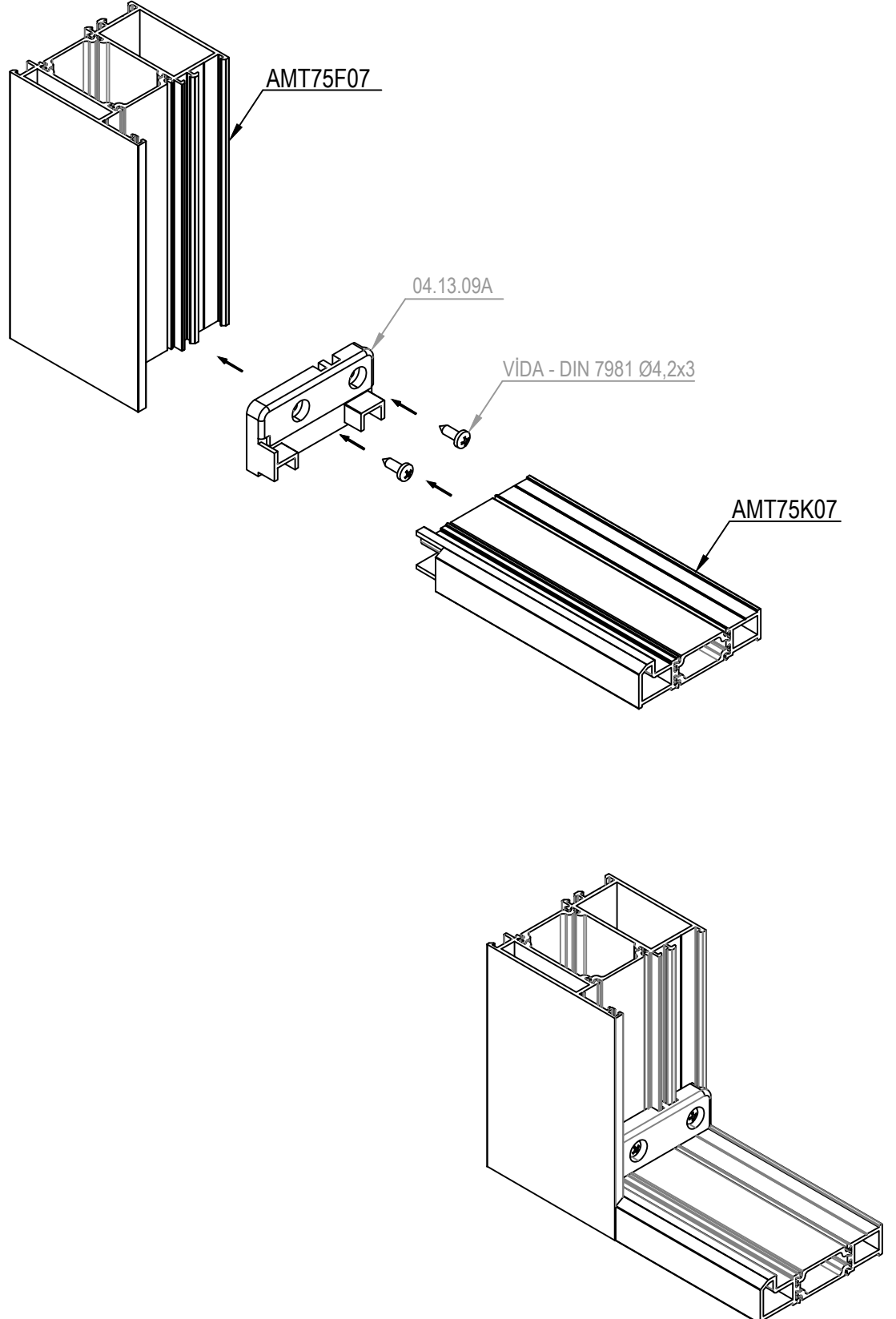
FİTİLLER/ Gaskets

RESİM picture	KOD code	AÇIKLAMA explanation	ADET unit	KESİM ÖLÇÜSÜ Cutting Dimension
	01.18.33	FİTİL gasket	1	L - 142mm.
			2	H - 92mm.
			4	L/2 - 56,5mm.
			4	H - 64mm.
	01.24.01	FİTİL gasket	4	L/2 - 231mm.
			4	H - 267mm.
	01.20.09	FİTİL gasket	1	L/2 - 55,5mm.
			1	L/2 - 92,5mm.
	01.11.15	FİTİL gasket	4	L/2 - 259,5mm.
			4	H - 267mm.
	01.RES.06	FİTİL gasket	4	L/2 - 257mm.
			4	H - 264mm.

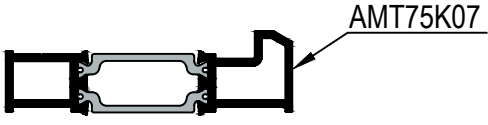
(1) AMT75F07 KASA KÖŞE BAĞLANTI DETAYLARI ÜST  
AMT75F07 FRAME CORNER CONNECTION DETAIL UP



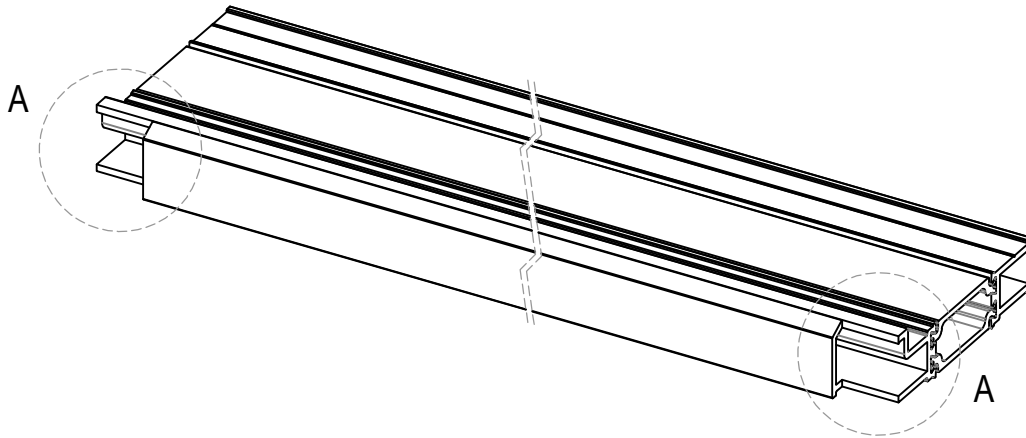
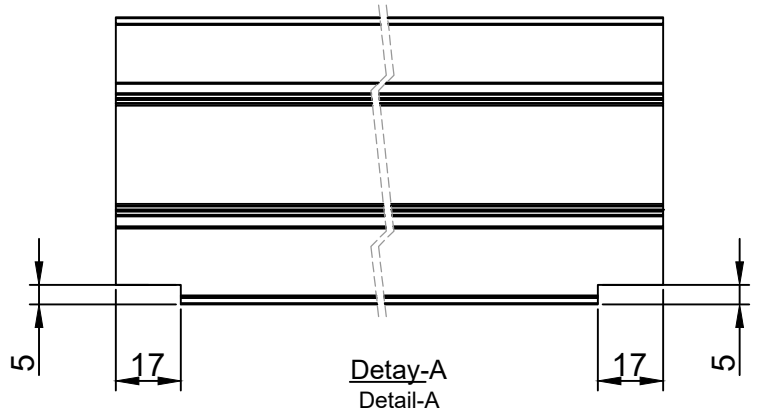
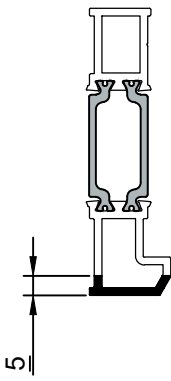
(2) AMT75F07 KASA KÖŞE BAĞLANTI DETAYLARI ALT  
AMT75F07 FRAME CORNER CONNECTION DETAIL DOWN



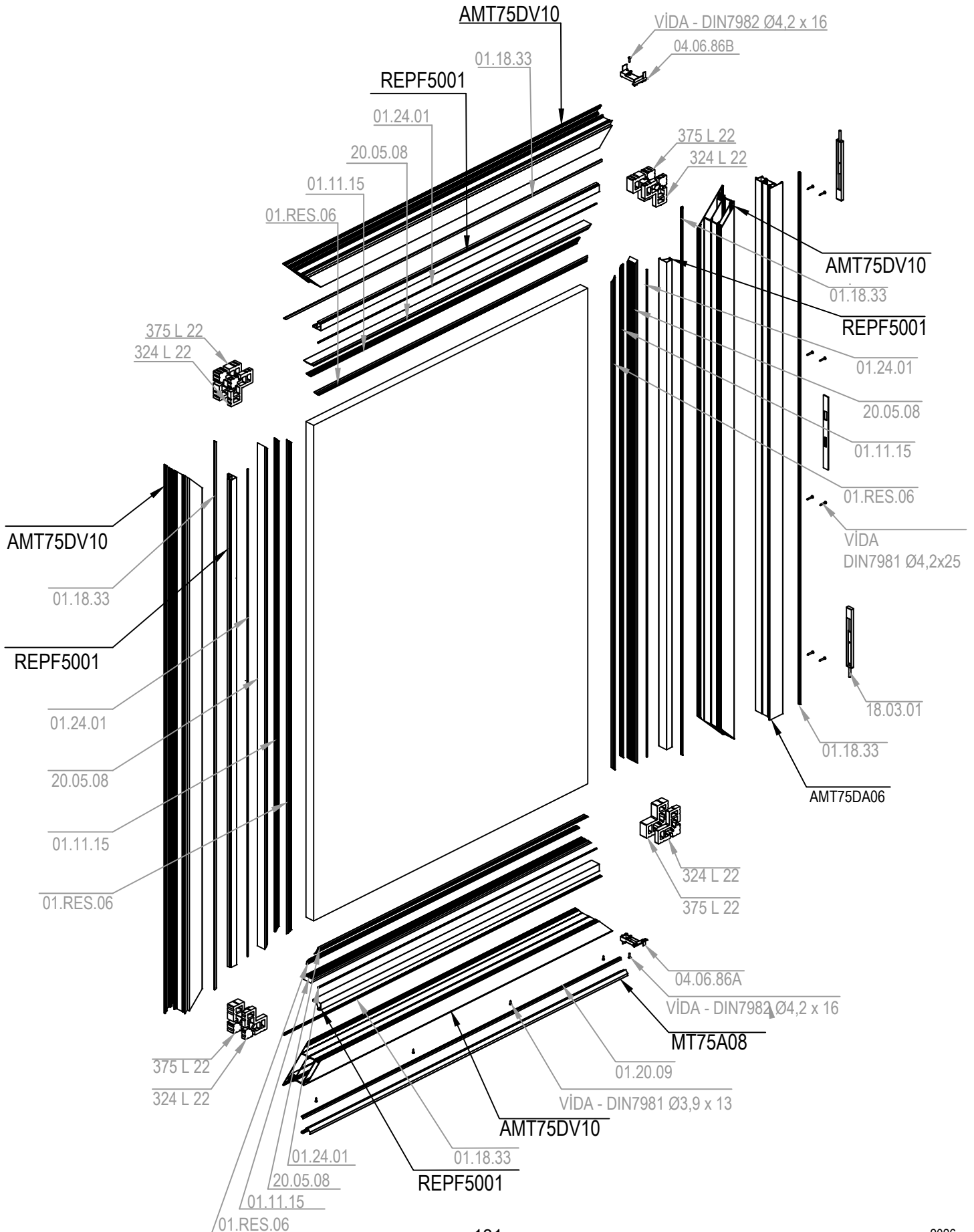
(3) AMT75K07 EŞİK PROFİLİ KERTME ÖLÇÜLERİ  
AMT75K07 THRESHOLD PROFILE NOTCHING DETAILS



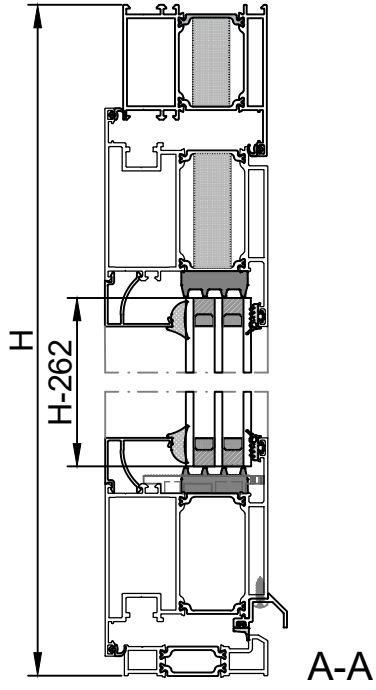
ÖLÇEK / Scale:1/2



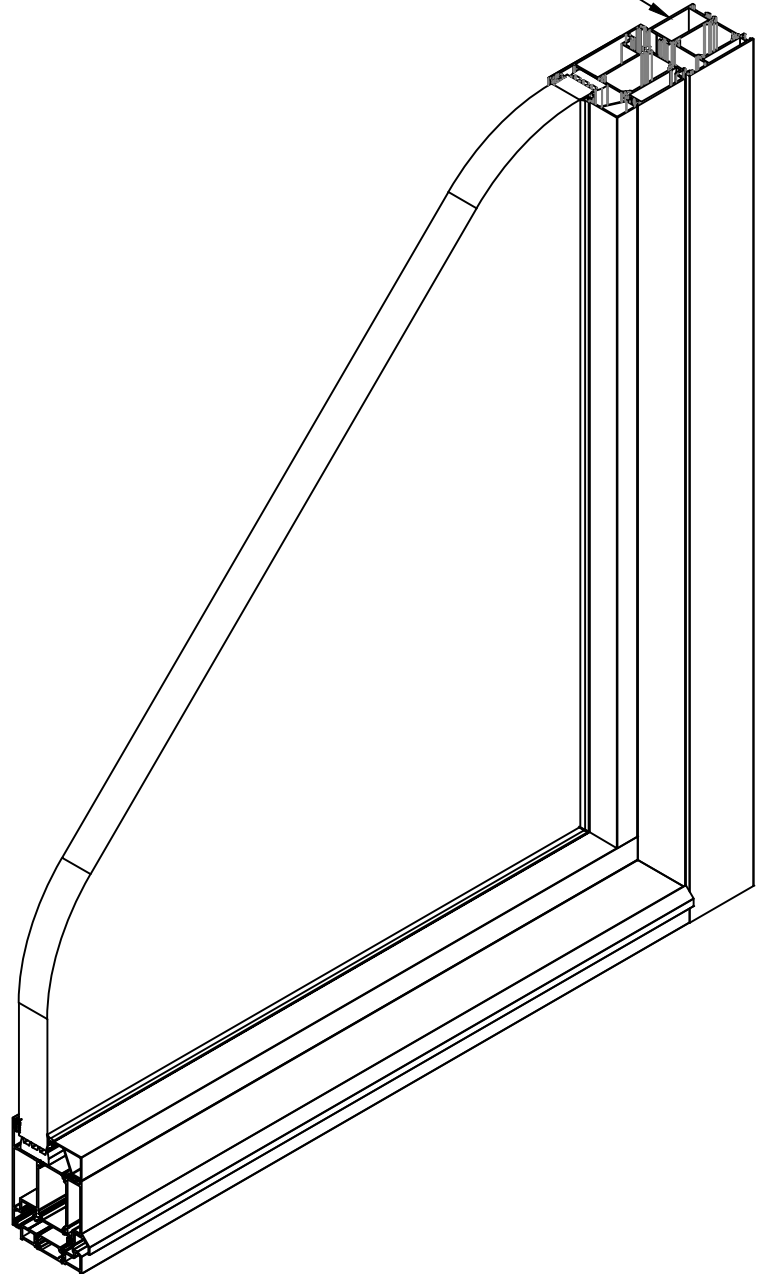
(4) KANAT MONTAJ DETAYLARI  
VENT ASSEMBLY DETAIL



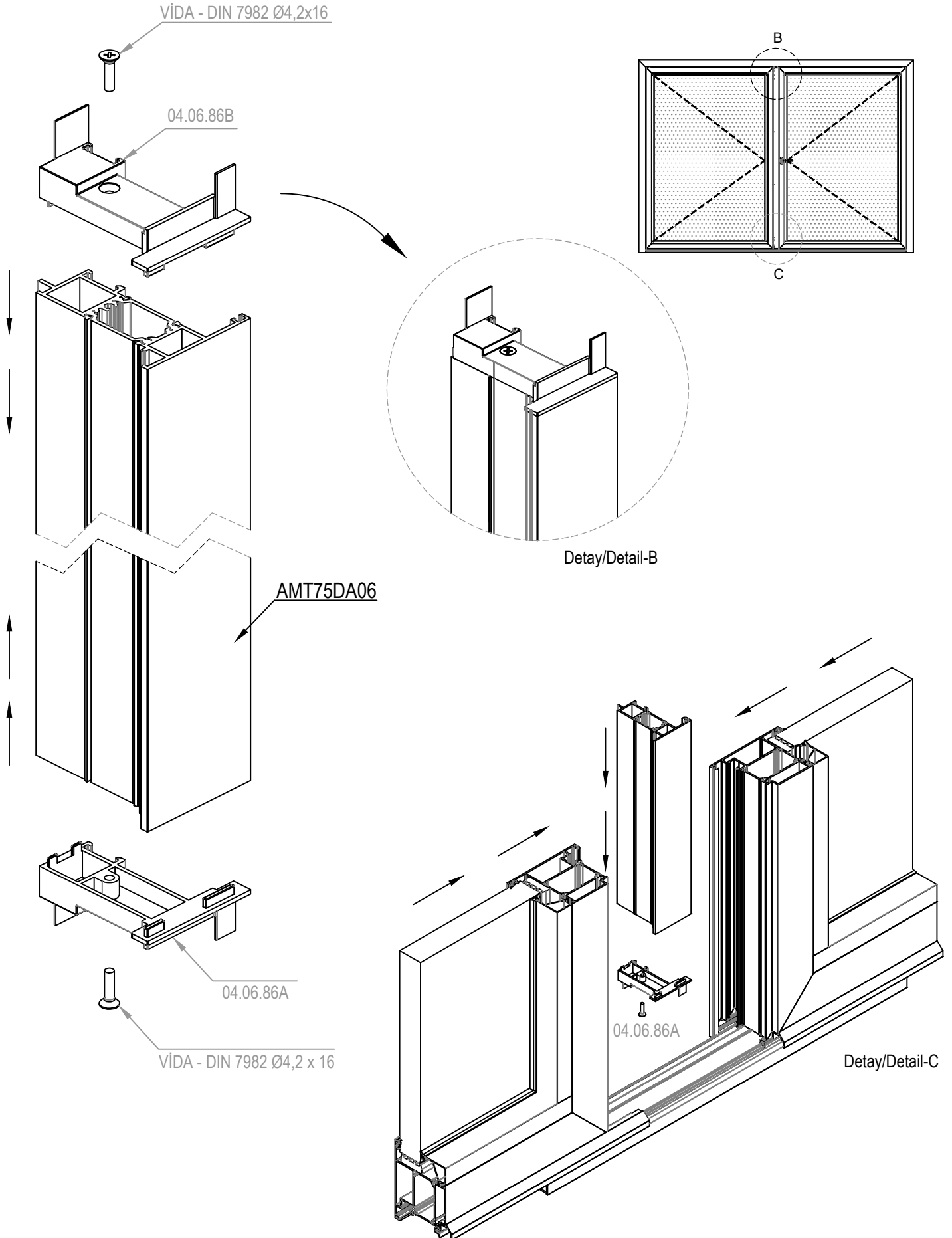
(5) KASA&KANAT BAĞLANTI DETAYI  
FRAME&VENT CONNECTION DETAIL



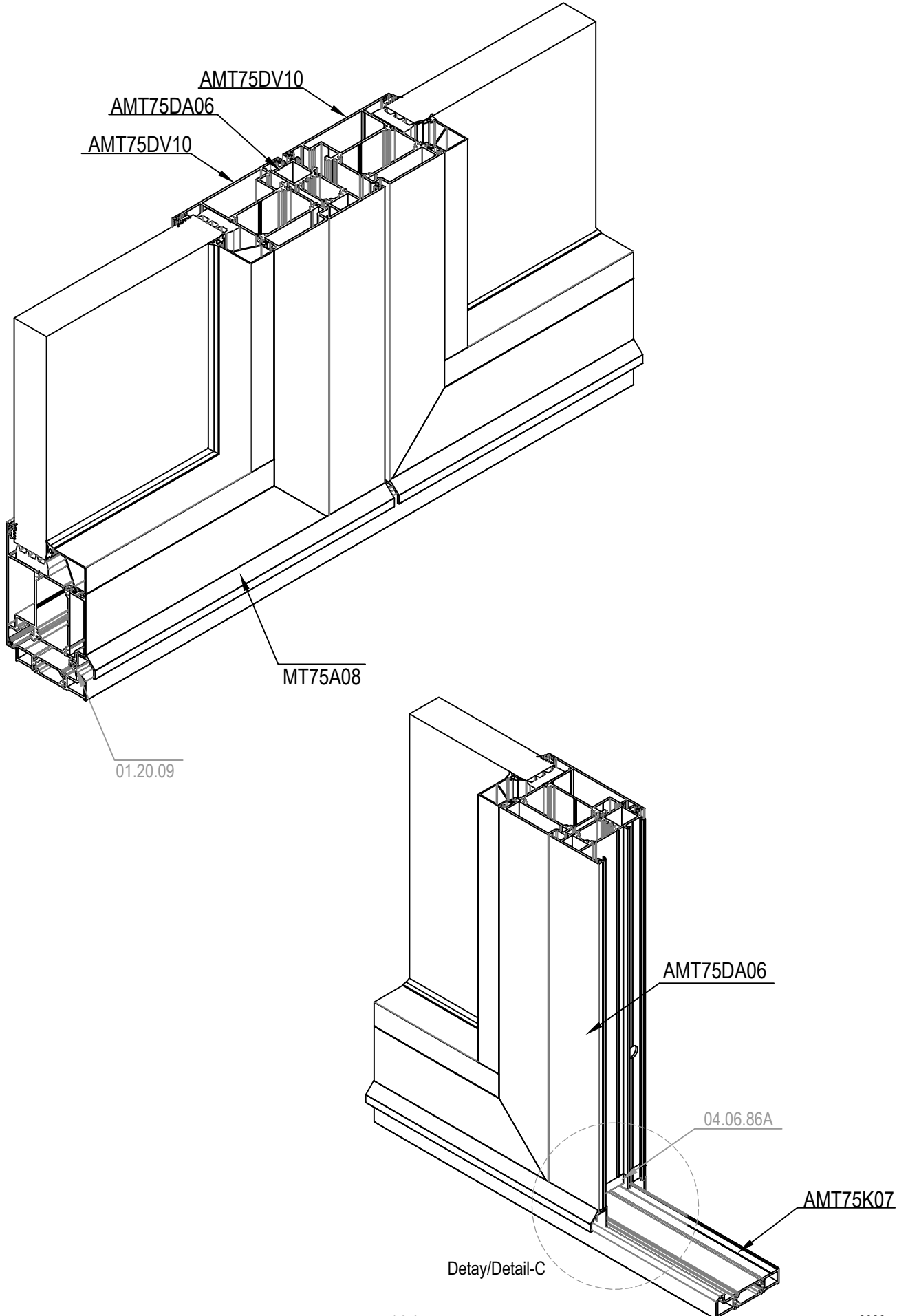
KASA-KANAT MONTAJ DETAYI



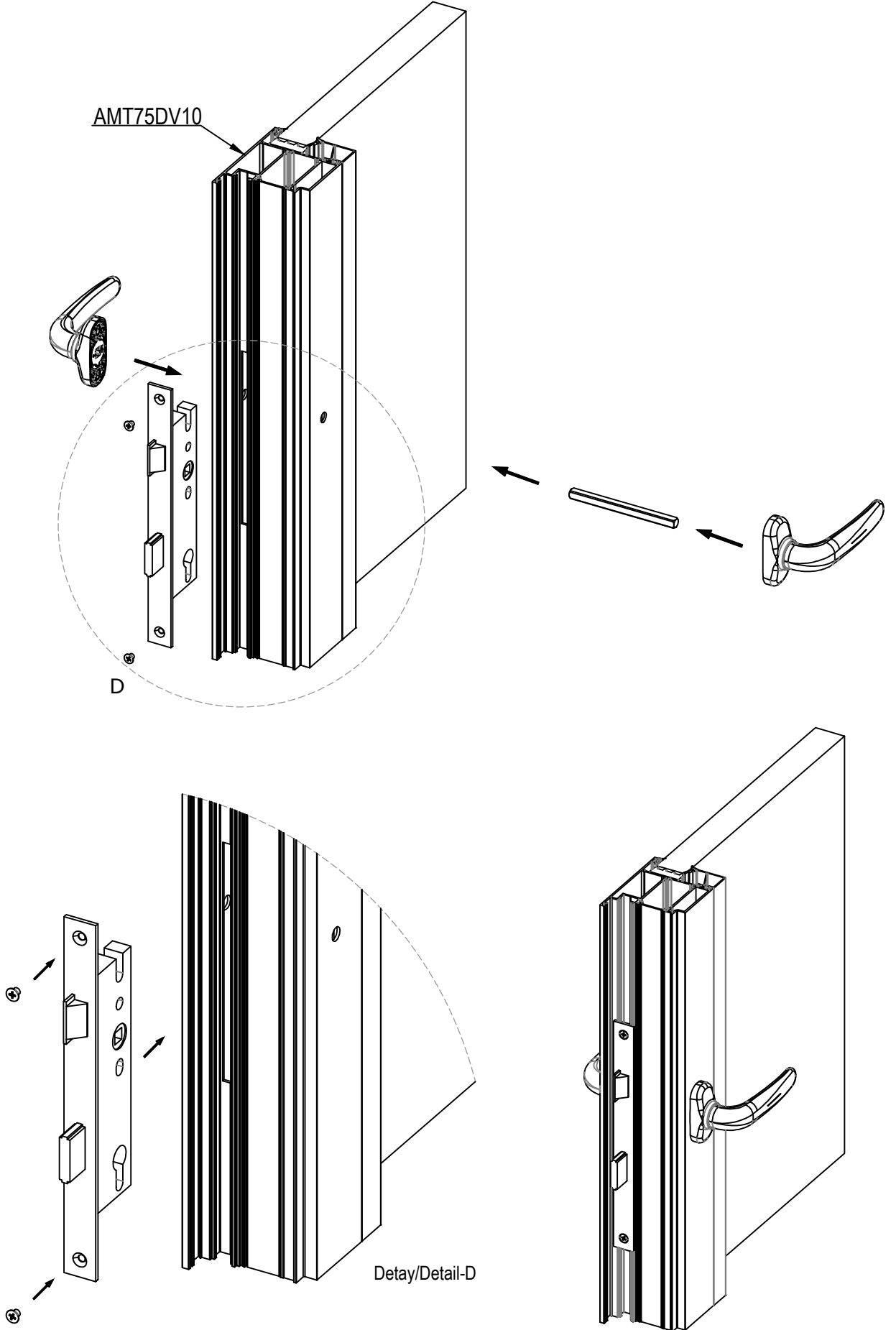
(6) ADAPTÖR PROFİLİ MONTAJ DETAYLARI  
ADAPTER PROFILE ASSEMBLY DETAILS



(7) ADAPTÖR PROFİLİ MONTAJ DETAYLARI  
ADAPTER PROFILE ASSEMBLY DETAILS



(8) KAPI KOLU VE KİLİT DETAYI  
DOOR HANDLE AND LOCK DETAILS



(9) KAPI SÜRGÜ DETAYI  
DOOR SLIDE DETAIL

