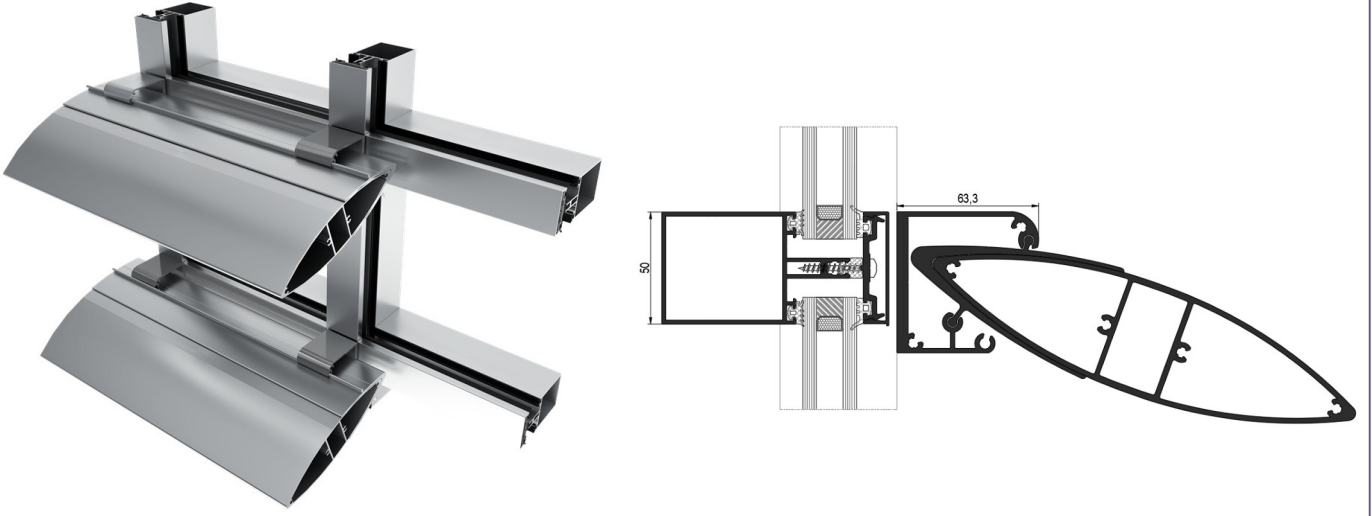


MİMARİ KATALOG
ARCHITECTURAL CATALOGUE

Alüminyum Cephe Sistemleri
Aluminium Facade Systems



RSS



TEKNİK ÖZELLİKLERİ / TECHNICAL PROPERTIES

PROFİL GENİŞLİĞİ / PROFILE WIDTH	min. 80mm- max. 450mm
PROFİL ET KALINLIĞI / PROFILE WALL THICKNESS	1,4/1,5/1,8/2/2,2/2,4/2,5/2,8 mm

MİMARİ KATALOG
ARCHITECTURAL CATALOGUE

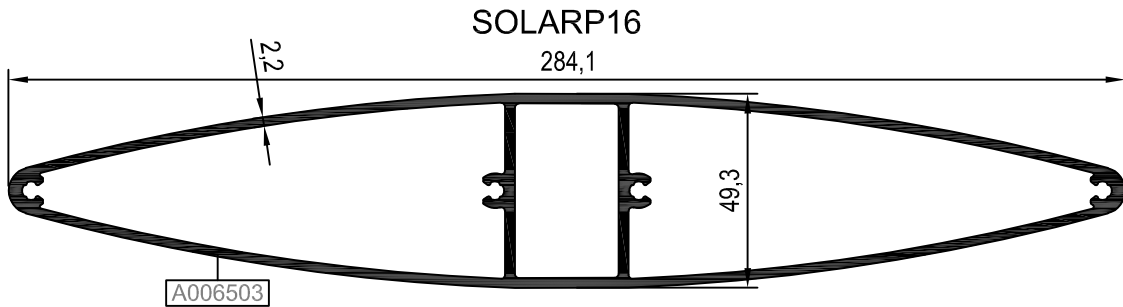
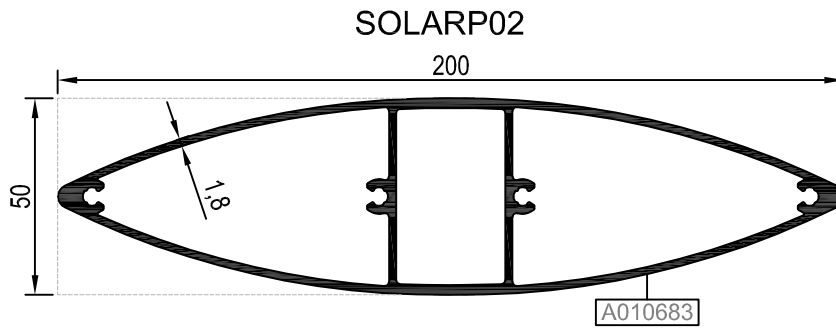
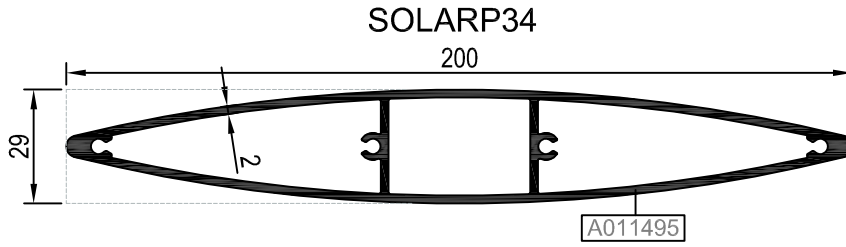
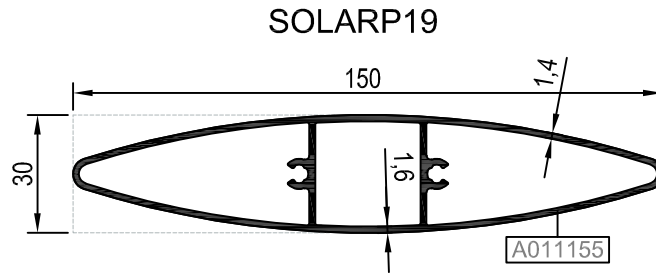
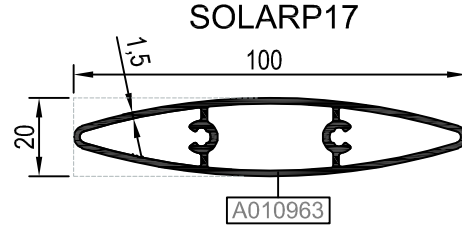
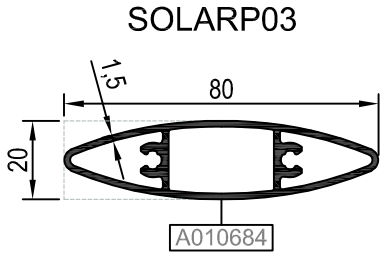
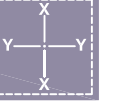
Alüminyum Cephe Sistemleri
Aluminium Facade Systems

RSS

PROFİLLER

PROFILES

KOD / CODE	AĞIRLIK (kg/m) / WEIGHT	L m	KOD / CODE	AĞIRLIK (kg/m) / WEIGHT	L m
SOLARP03	0,944	6	SOLARP02	2,925	6
SOLARP17	1,057	6	SOLARP16	4,406	6
SOLARP19	1,529	6	SOLARP34	2,626	6

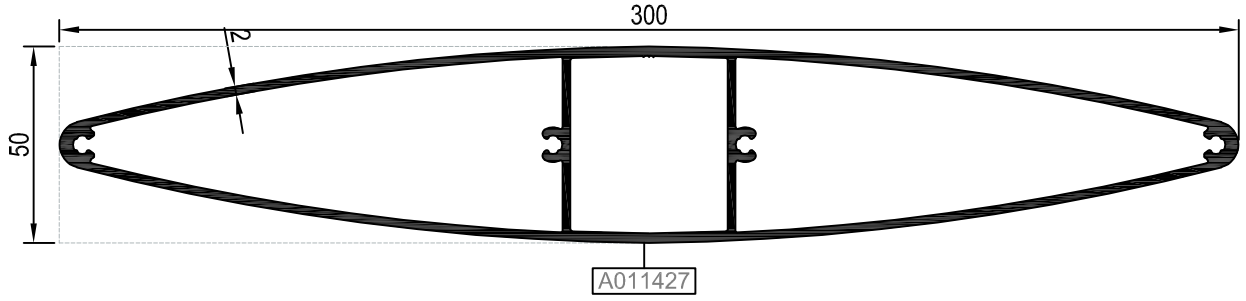


Ölçek/Scale: 1/2

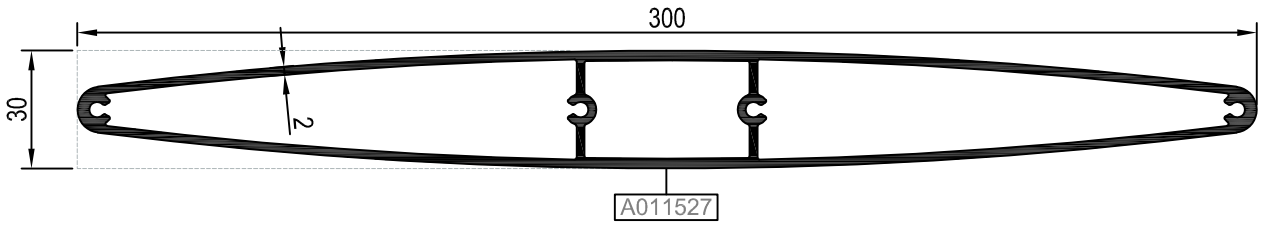
KOD / CODE	AĞIRLIK (kg/m) / WEIGHT	L m	KOD / CODE	AĞIRLIK (kg/m) / WEIGHT	L m
SOLARP24	4,182	6	SOLARP27	6,677	6
1148	0,980	6	SOLARP32	3,905	6
1147	1,817	6			



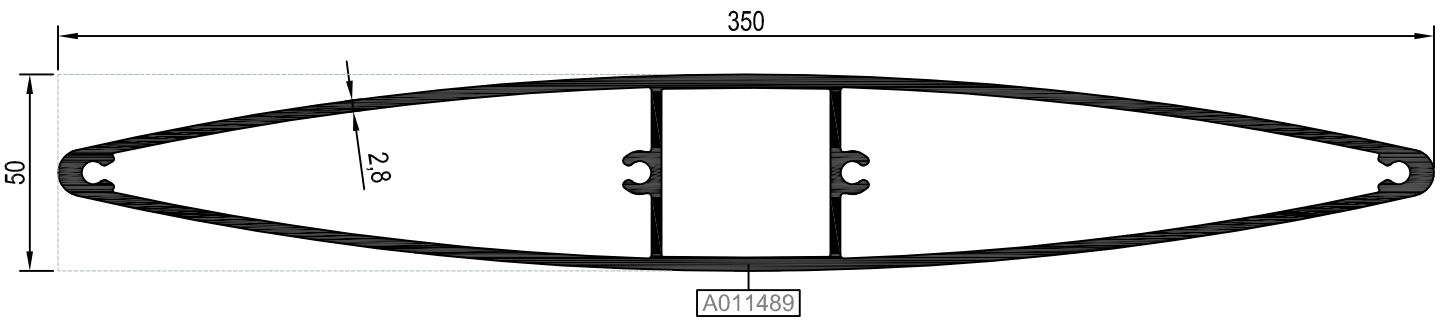
SOLARP24



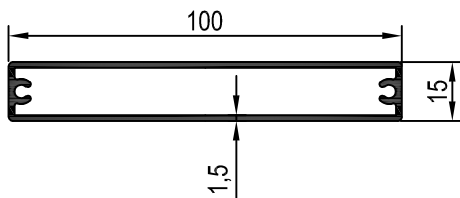
SOLARP32



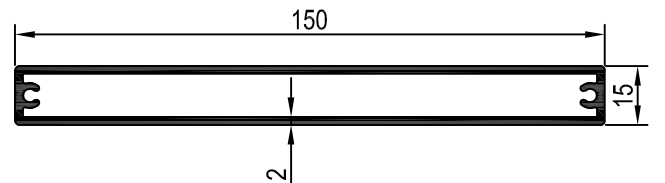
SOLARP27



A001148



A001147

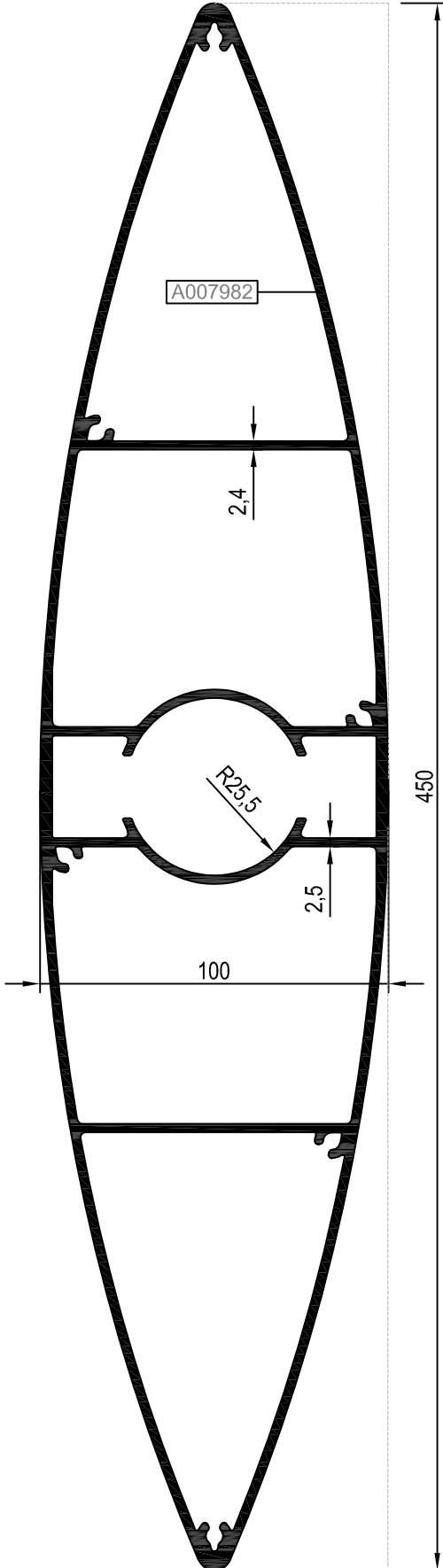


Ölçek/Scale: 1/2

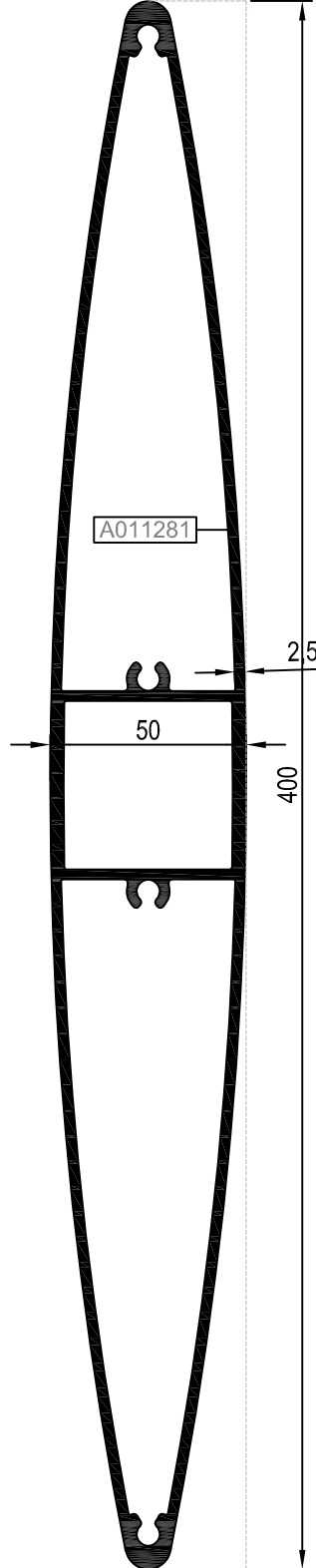
KOD / CODE	AĞIRLIK (kg/m) / WEIGHT	L m	KOD / CODE	AĞIRLIK (kg/m) / WEIGHT	L m
SOLARP20	9,677	6			
SOLARP21	7,033	6			
SOLARP44	6,996	6			



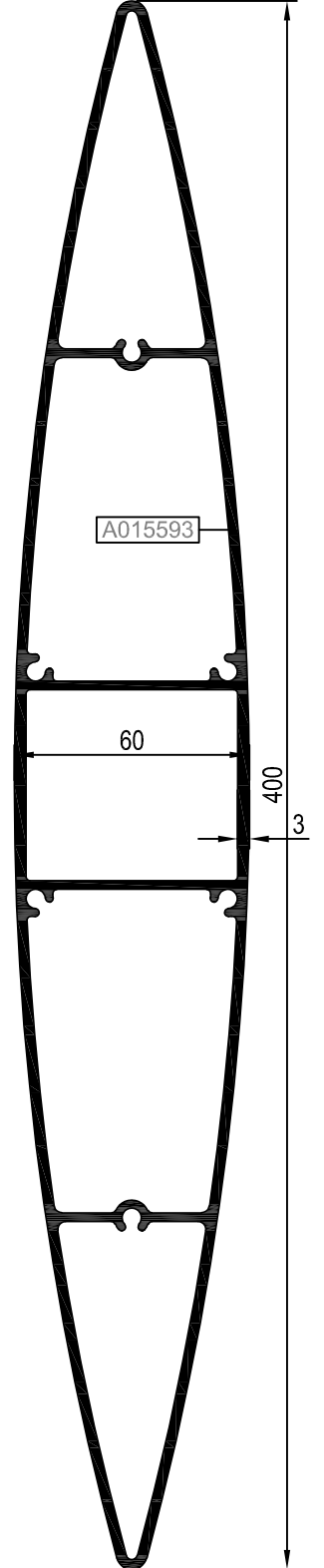
SOLARP20



SOLARP21

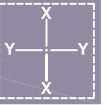


SOLARP44

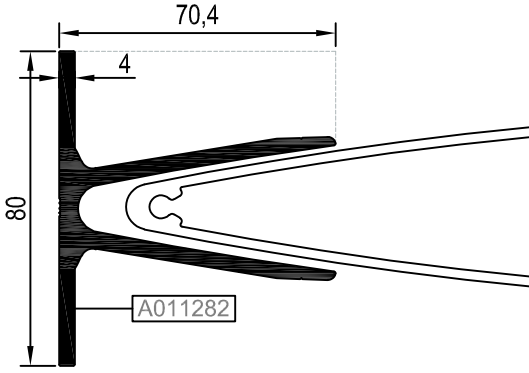


Ölçek/Scale: 1/2

KOD / CODE	AĞIRLIK (kg/m) / WEIGHT	L m	KOD / CODE	AĞIRLIK (kg/m) / WEIGHT	L m
SOLARP22	2,305	6	SOLARP13	1,785	6
SOLARP26	1,679	6	SOLARP14	1,570	6
SOLARP43	2,31	6			

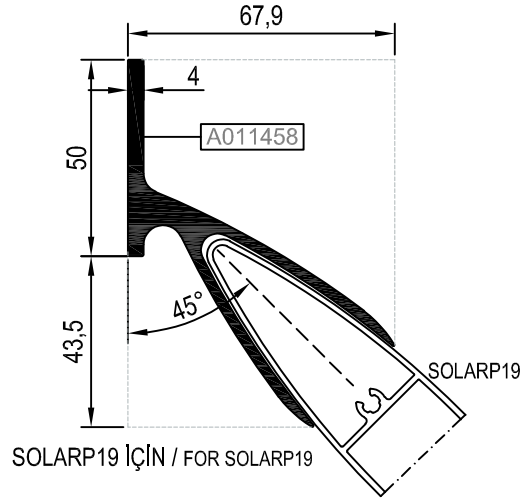


SOLARP22



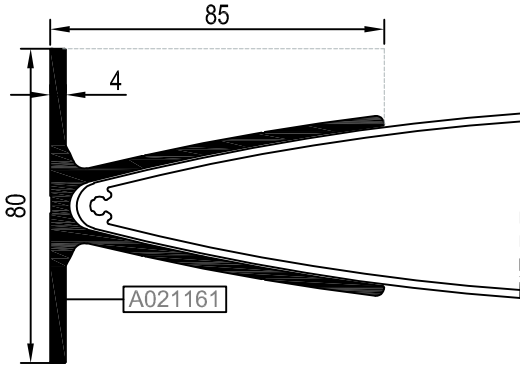
SOLARP21 İÇİN / FOR SOLARP21

SOLARP26



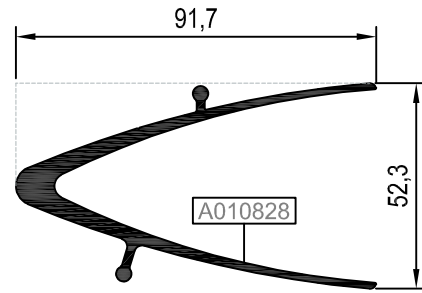
SOLARP19 İÇİN / FOR SOLARP19

SOLARP43



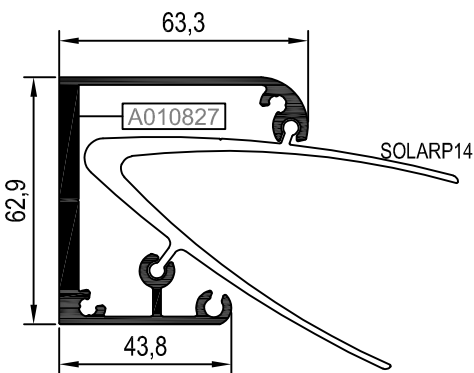
SOLARP24 İÇİN / FOR SOLARP21

SOLARP14

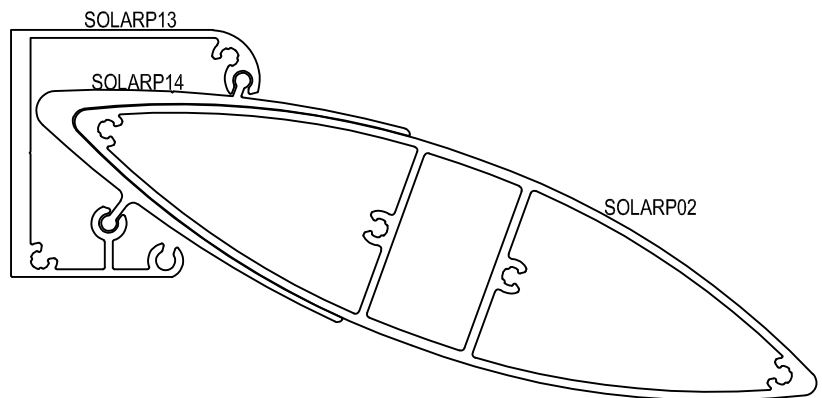


SOLARP02 İÇİN / FOR SOLARP02

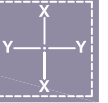
SOLARP13



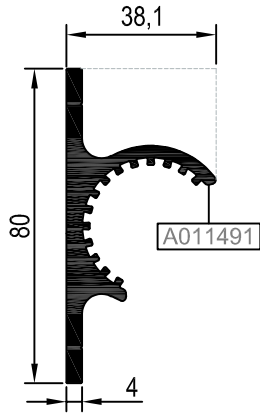
SOLARP14 İÇİN / FOR SOLARP14



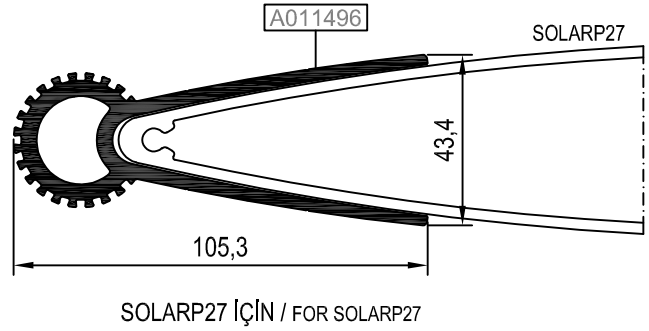
KOD / CODE	AĞIRLIK (kg/m) / WEIGHT	L m	KOD / CODE	AĞIRLIK (kg/m) / WEIGHT	L m
SOLARP28	1,582	6	SOLARP31	2,411	6
SOLARP29	2,385	6	SOLARP33	1,672	6
SOLARP30	2,192	6	SOLARP41	2,320	6



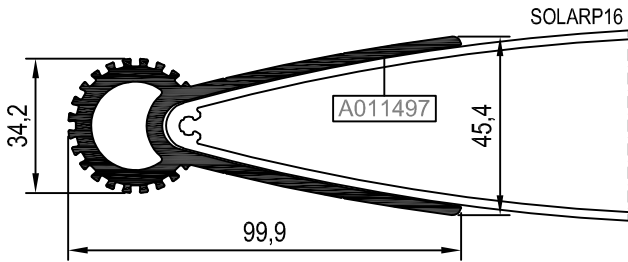
SOLARP28



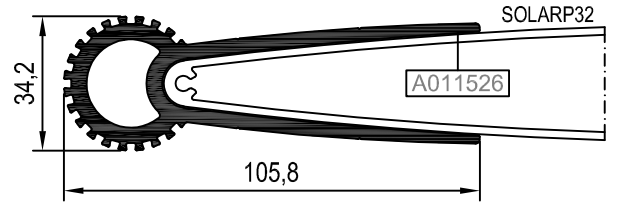
SOLARP29



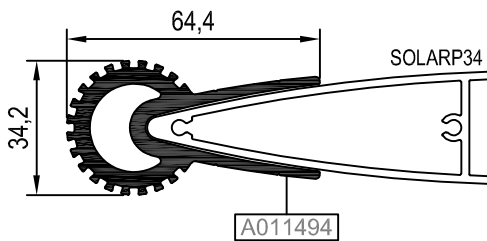
SOLARP30



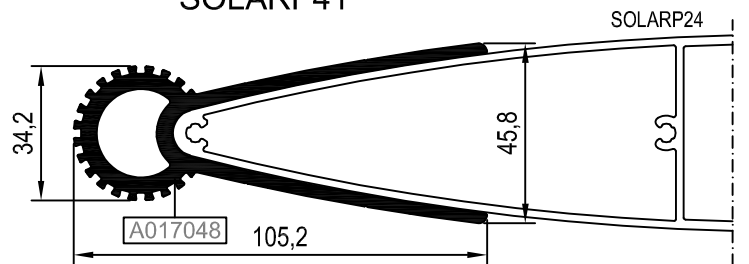
SOLARP31



SOLARP33



SOLARP41

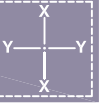


SOLARP34 İÇİN / FOR SOLARP34

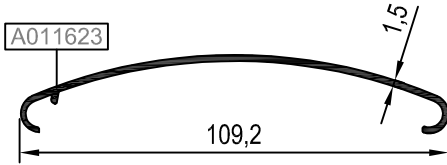
SOLARP24 İÇİN / FOR SOLARP24

Ölçek/Scale: 1/2

KOD / CODE	AĞIRLIK (kg/m) / WEIGHT	L m	KOD / CODE	AĞIRLIK (kg/m) / WEIGHT	L m
SOLARP35	0,541	6	SOLARP38	2,757	6
SOLARP36	0,967	6	SOLARP39	0,193	6
SOLARP37	1,466	6			

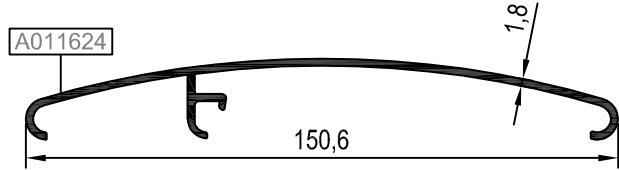


SOLARP35



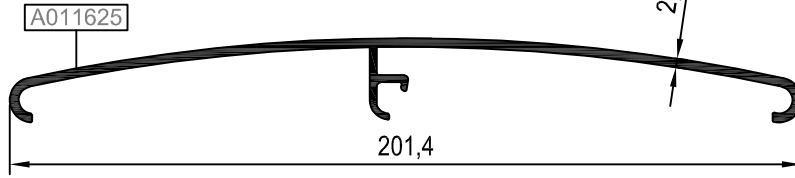
SOLARP38 İÇİN / FOR SOLARP38

SOLARP36



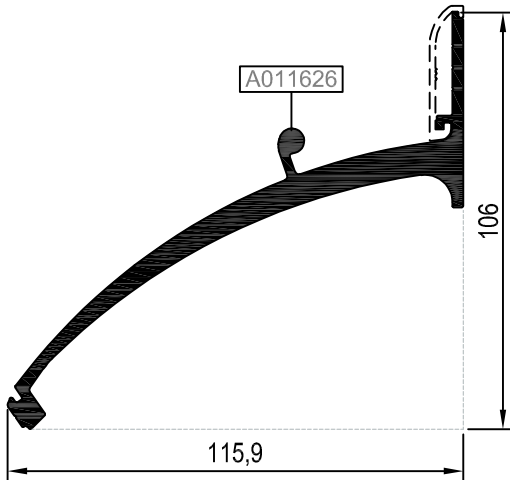
SOLARP38 İÇİN / FOR SOLARP38

SOLARP37

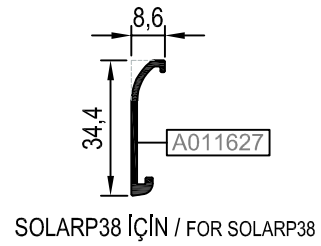


SOLARP38 İÇİN / FOR SOLARP38

SOLARP38



SOLARP39



SOLARP38 İÇİN / FOR SOLARP38

Ölçek/Scale: 1/2

MİMARİ KATALOG
ARCHITECTURAL CATALOGUE

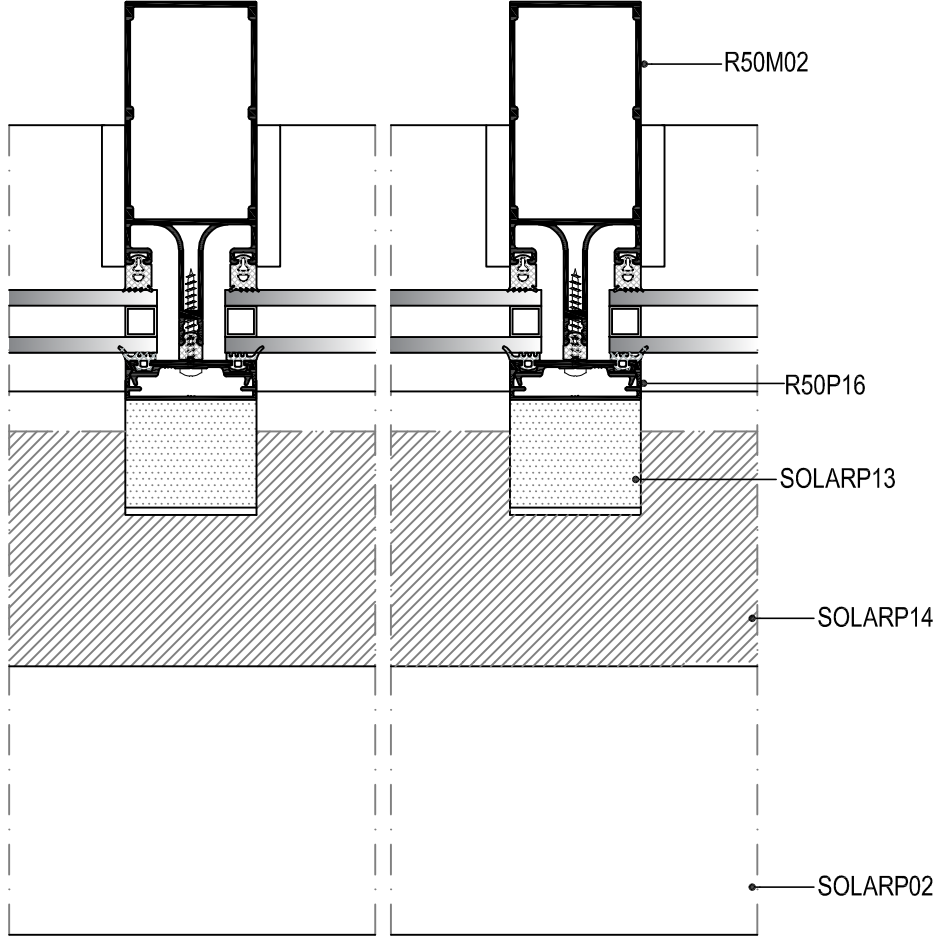
Alüminyum Cephe Sistemleri
Aluminium Facade Systems

RSS

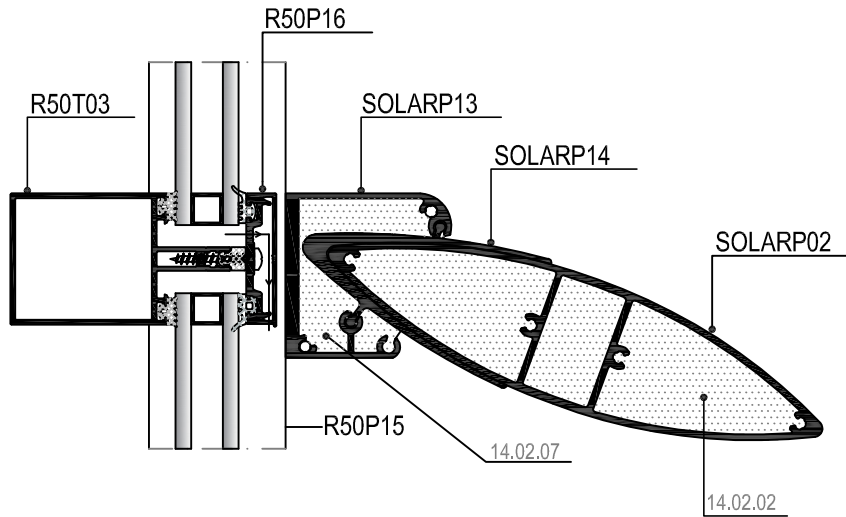
DETAYLAR

DETAILS

SOLARP02, SOLARP13, SOLARP14 İLE DETAY
DETAIL WITH SOLARP02 ,SOLARP13, SOLARP14

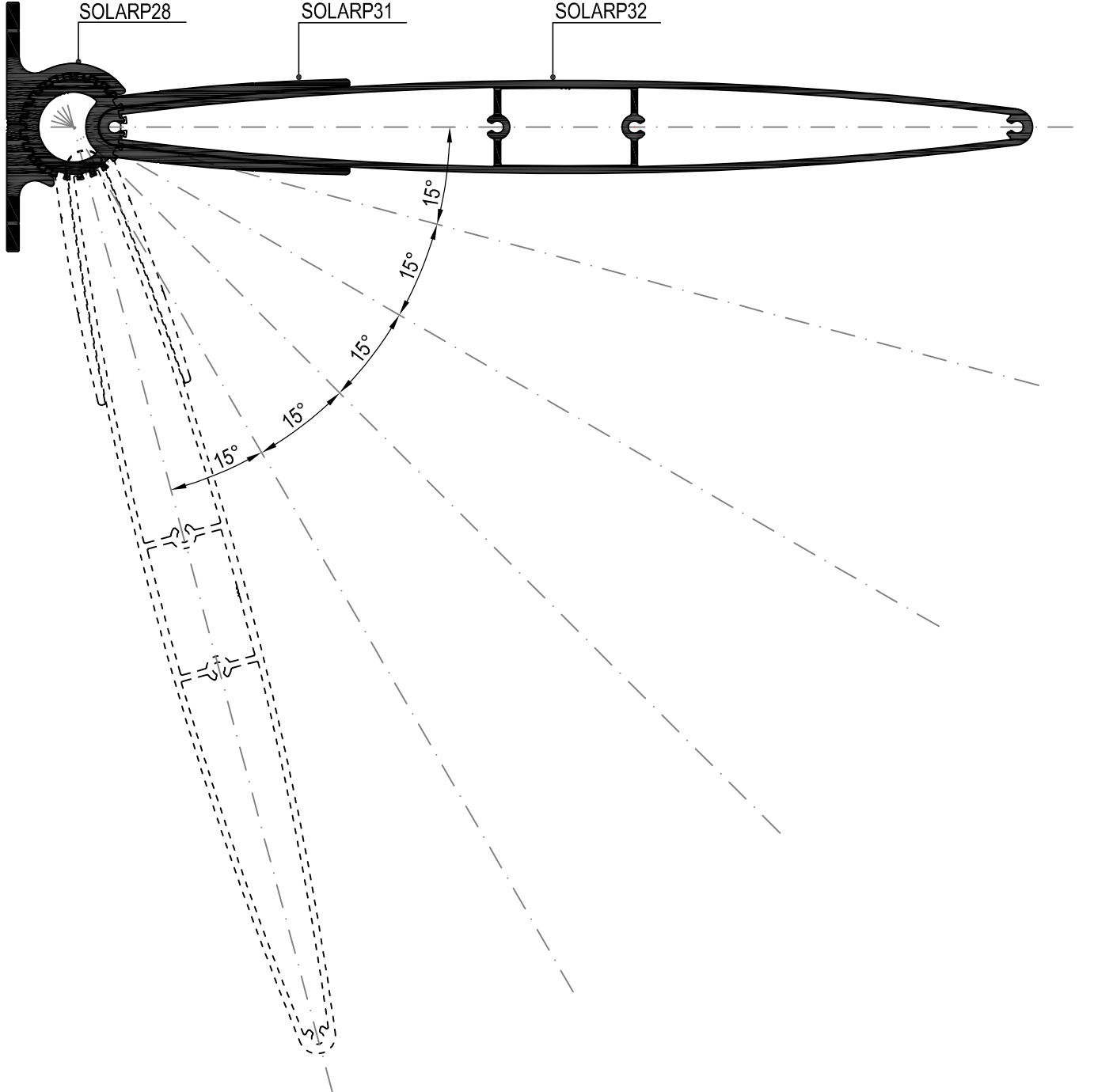


PLAN
PLAN

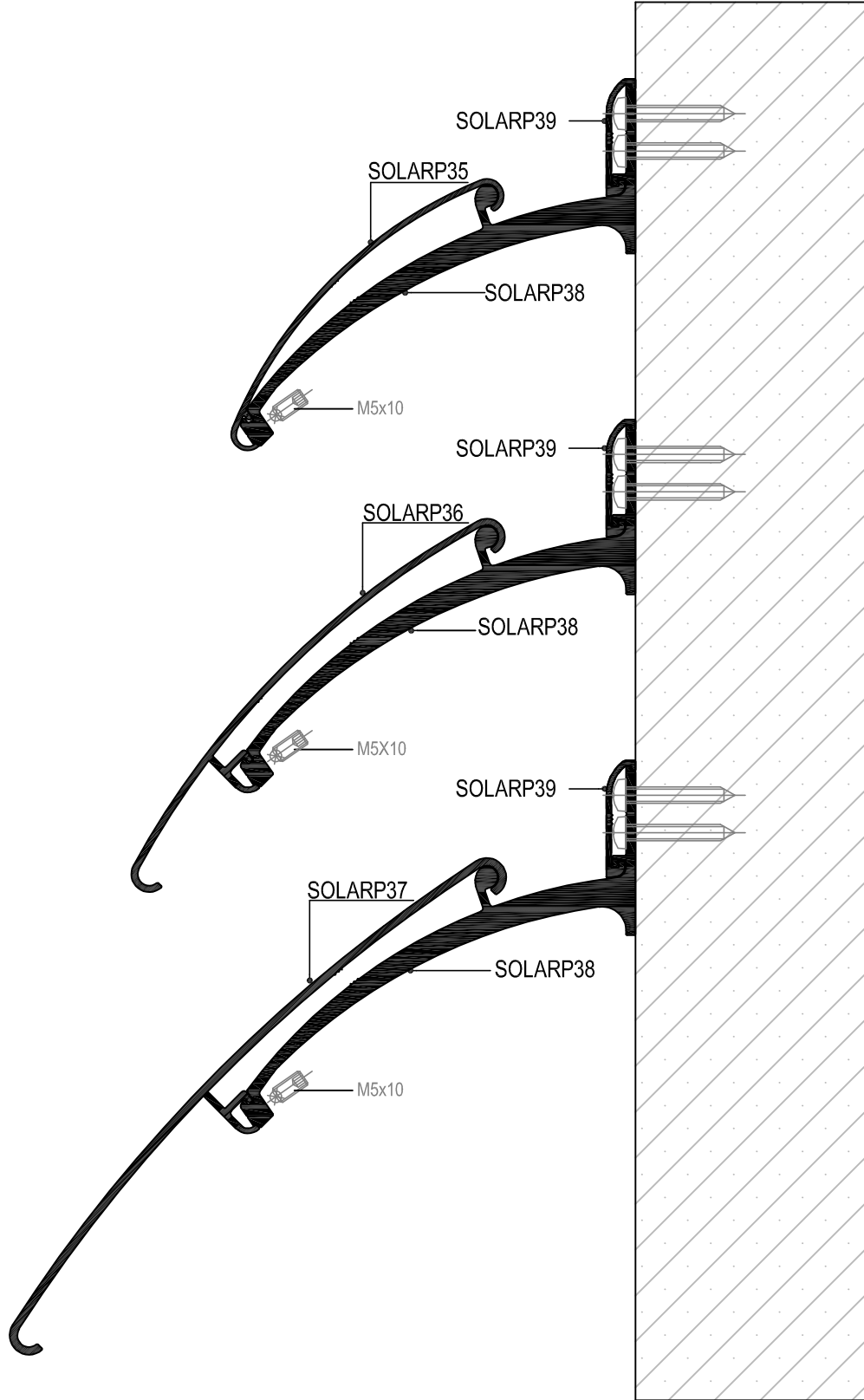


KESİT
SECTION

SOLARP28, SOLARP31, SOLARP32 İLE DETAY
DETAIL WITH SOLARP28 ,SOLARP31, SOLARP32



SOLARP35-36-37, SOLARP38, SOLARP39 İLE DETAY
DETAIL WITH SOLARP35-36-37, SOLARP31, SOLARP32




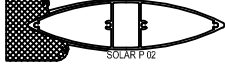


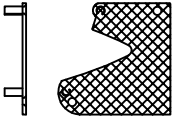

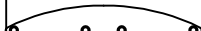

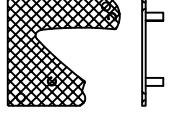
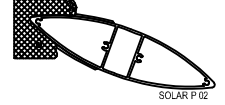


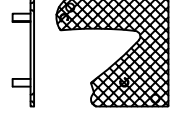
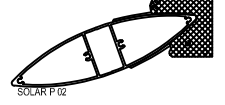

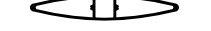



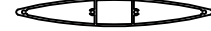


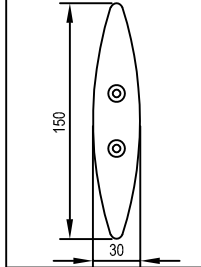



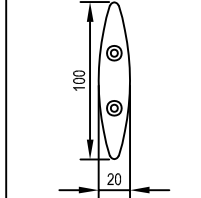

MİMARİ KATALOG
ARCHITECTURAL CATALOGUE

Alüminyum Cephe Sistemleri
Aluminium Facade Systems

RSS

AKSESUARLAR

ACCESSORIES

	<p>14.02.05 YAN KAPAK SOL CAP-LEFT Malzeme / Material: - PVC</p>	 <p>SOLAR P 13 (10827)</p>		<p>14.02.09 YAN KAPAK CAP Malzeme / Material: - Alüminyum</p>	 <p>SOLAR P 16 (A006503)</p>
	<p>14.02.06 YAN KAPAK SAĞ CAP-RIGHT Malzeme / Material: - PVC</p>	 <p>SOLAR P 13 (10827)</p>		<p>14.02.10 YAN KAPAK CAP Malzeme / Material: - Alüminyum</p>	 <p>SOLAR P 02 (A010683)</p>
	<p>14.02.07 YAN KAPAK SOL CAP-LEFT Malzeme / Material: - PVC</p>	 <p>SOLAR P 13 (10827)</p>		<p>14.02.11 YAN KAPAK CAP Malzeme / Material: - Alüminyum</p>	 <p>SOLAR P 03 (A010684)</p>
	<p>14.02.08 YAN KAPAK SAĞ CAP-RIGHT Malzeme / Material: - PVC</p>	 <p>SOLAR P 13 (10827)</p>		<p>14.02.12 YAN KAPAK CAP Malzeme / Material: - Alüminyum</p>	 <p>SOLAR P 24 (A011427)</p>
	<p>14.02.01 YAN KAPAK CAP Malzeme / Material: - Alüminyum</p>	 <p>SOLAR P 16 (A006503)</p>		<p>14.02.13 YAN KAPAK CAP Malzeme / Material: - Alüminyum</p>	 <p>SOLAR P 34 (A011495)</p>
	<p>14.02.02 YAN KAPAK CAP Malzeme / Material: - Alüminyum</p>	 <p>SOLAR P 02 (A010683)</p>		<p>14.02.14 YAN KAPAK CAP Malzeme / Material: - Alüminyum</p>	 <p>SOLAR P 19 (A011155)</p>
	<p>14.02.03 YAN KAPAK CAP Malzeme / Material: - Alüminyum</p>	 <p>SOLAR P 03 (A010684)</p>		<p>14.02.15 YAN KAPAK CAP Malzeme / Material: - Alüminyum</p>	 <p>SOLAR P 17 (A010963)</p>