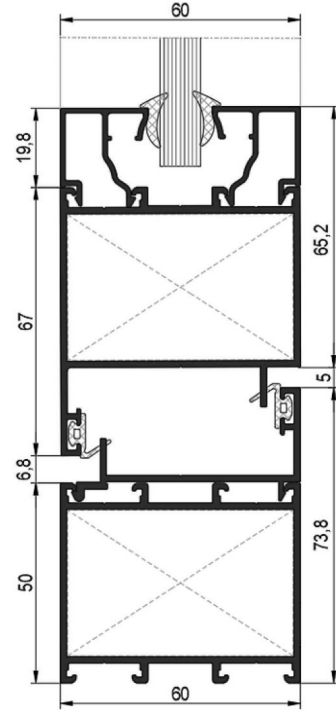


# MİMARİ KATALOG ARCHITECTURAL CATALOGUE

Alüminyum Kapı ve Pencere Sistemleri  
Aluminium Door and Window Systems



# RW60



## TEKNİK ÖZELLİKLER / TECHNICAL PROPERTIES

<b>KASA DERİNLİĞİ</b> / <i>FRAME DEPTH</i>	60 mm
<b>KANAT DERİNLİĞİ</b> / <i>VENT DEPTH</i>	60 mm
<b>PROFİL ET KALINLIĞI</b> / <i>PROFILE WALL THICKNESS</i>	1,4 / 1,6 mm
<b>MAKS. CAM KALINLIĞI</b> / <i>MAX. GLASS THICKNESS</i>	36 mm

## KULLANIM SEÇENEKLERİ / APPLICATION ALTERNATIVES

	<b>KAPI</b> DOOR	<b>PENCERE</b> WINDOW
<b>İÇE AÇILIR HEMYÜZ KAPI</b> / <i>INWARD OPENING COPLANAR DOOR</i>	•	
<b>DIŞA AÇILIR HEMYÜZ KAPI</b> / <i>OUTWARD OPENING COPLANAR DOOR</i>	•	
<b>ÇARPMA KAPI</b> / <i>SWINGING DOOR</i>	•	

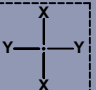
**MİMARİ KATALOG**  
ARCHITECTURAL CATALOGUE

**Alüminyum Kapı ve Pencere Sistemleri**  
Aluminium Door and Window Systems

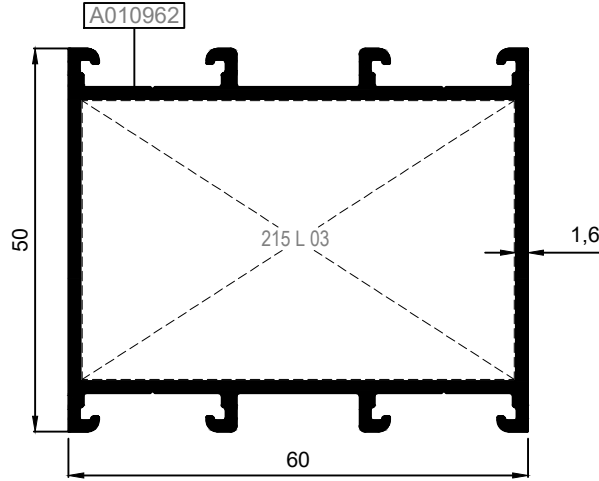
# RW60

**PROFİLLER**

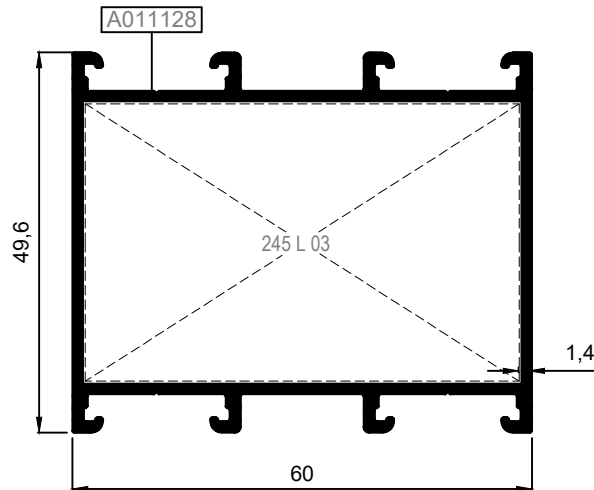
**PROFILES**



KOD / CODE	AĞIRLIK (kg/m) / WEIGHT	Jxx cm4	Jyy cm4	L m	
RW60F02	1,102	20,215	13,495	6	
RW60F06	0,997	18,287	12,290	6	

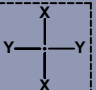
RW60F02



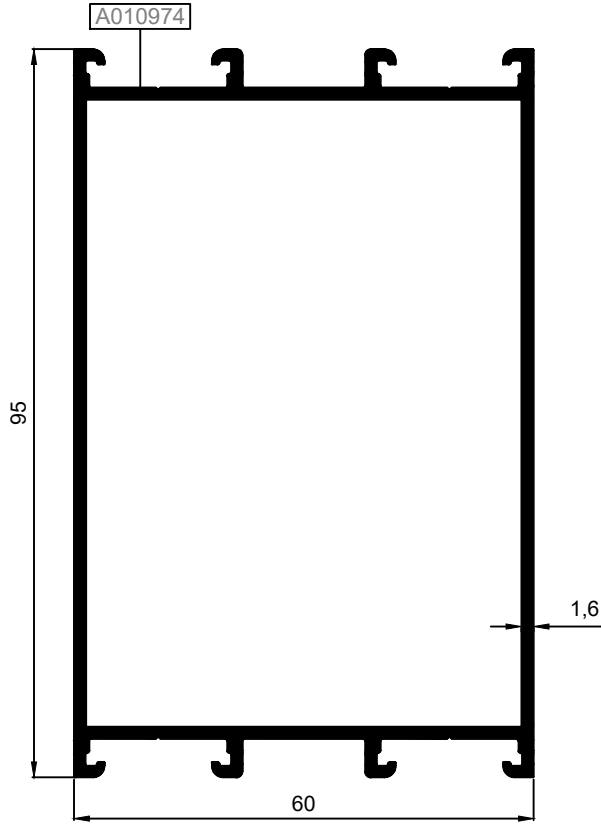
RW60F06



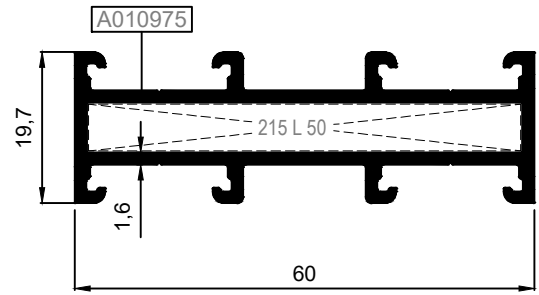
Nr		 L m	KESİM ÖLÇÜSÜ CUTTING SIZE	 AKS. KODU ACS. CODE
RW60F02	A010962	25L03 (A002021)	56,5 mm	215 L 03
RW60F06	A011128	25L03 (A002021)	56,8 mm	245 L 03

KOD / CODE	AĞIRLIK (kg/m) / WEIGHT	Jxx cm <sup>4</sup>	Jyy cm <sup>4</sup>	L m	
RW60F03	1,493	32,485	67,952	6	
RW60F04	0,840	11,934	0,922	6	
RW60F05	1,912	128,959	27,984	6	

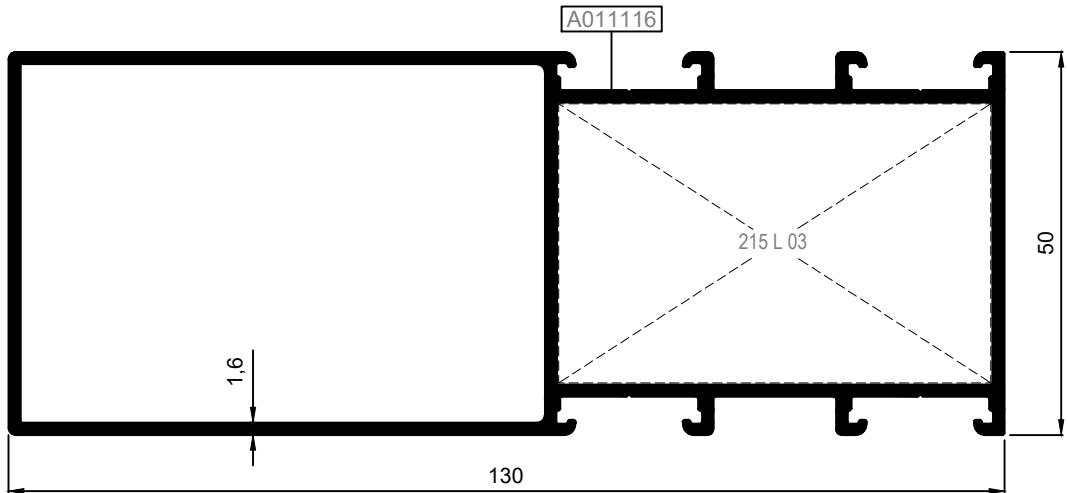
RW60F03





RW60F04

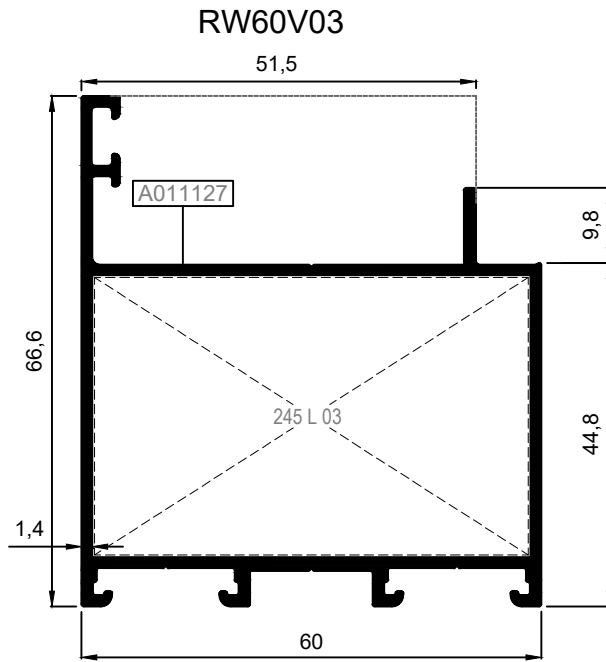
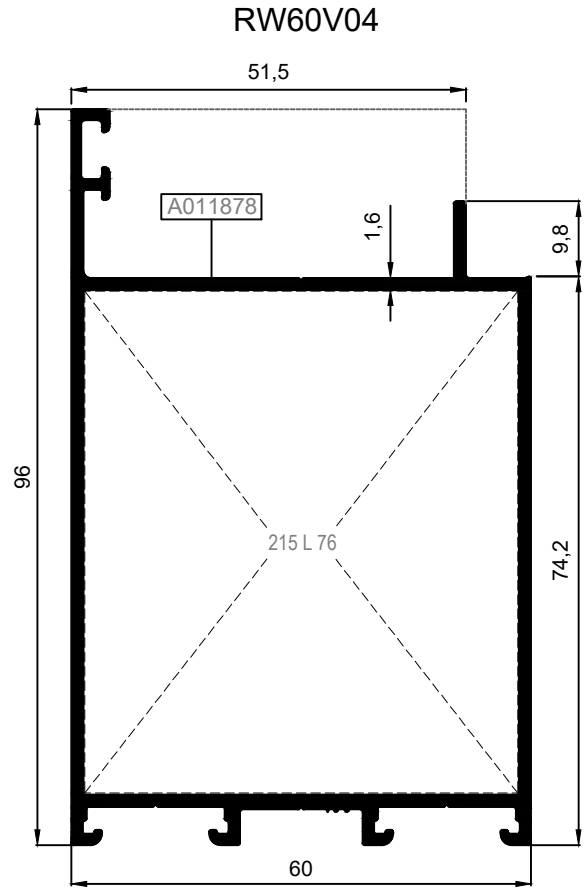
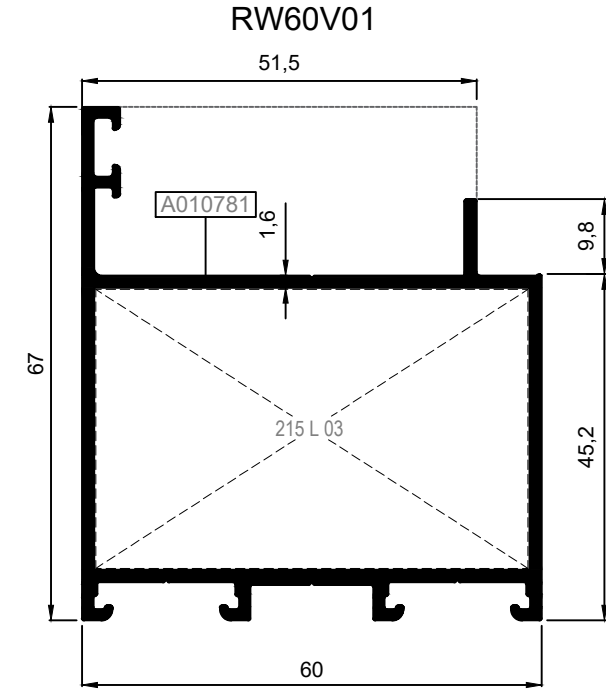




RW60F05

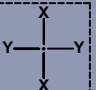


Nr	 L m	KESİM ÖLÇÜSÜ CUTTING SIZE	 AKS. KODU ACS. CODE
RW60F04	A010975	25L50 (A010838)	215 L 50
RW60F05	A011116	25L03 (A002021)	215 L 03

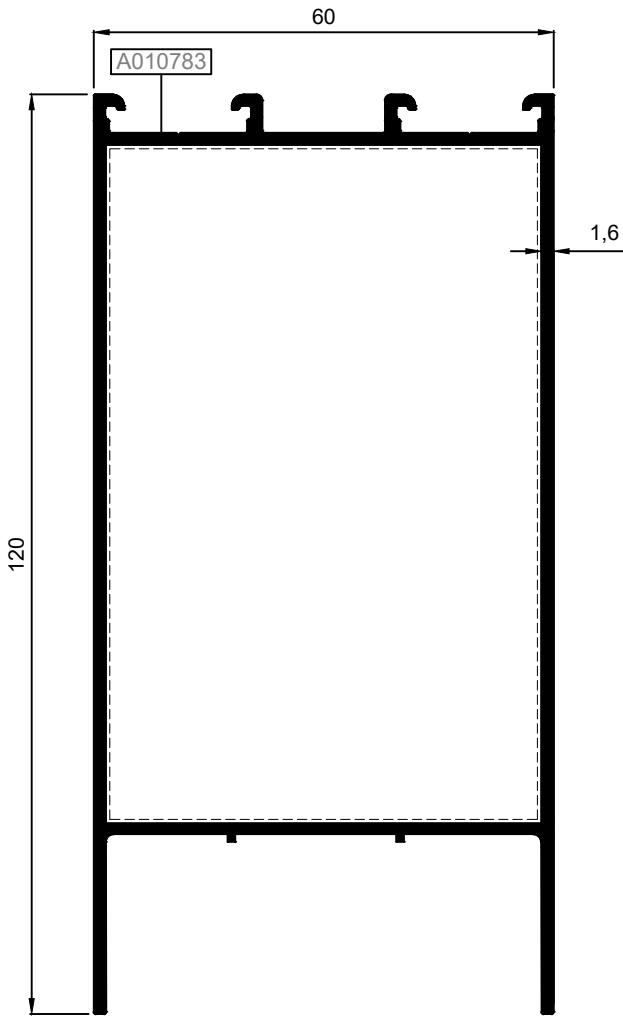
KOD / CODE	AĞIRLIK (kg/m) / WEIGHT	Jxx cm4	Jyy cm4	L m	
RW60V01	1,162	22,715	18,319	6	
RW60V03	1,047	20,198	15,788	6	
RW60V04	1,409	49,741	30,234	6	



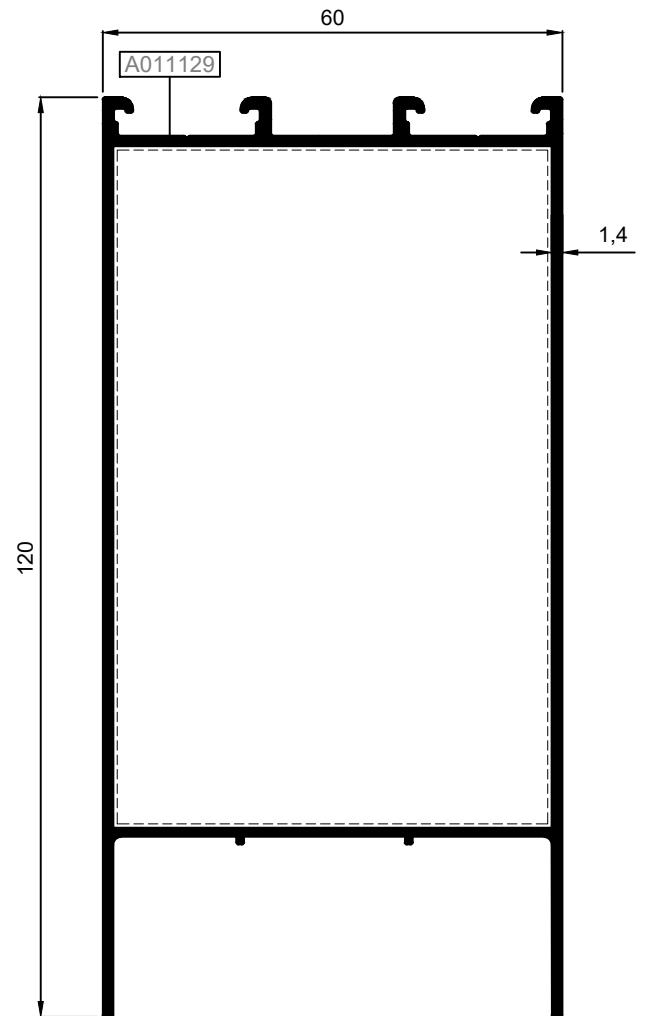
Nr		L m	KESİM ÖLÇÜSÜ CUTTING SIZE	 AKS. KODU ACS. CODE
RW60V01	A010781	25L03 (A002021)	56,5 mm	215 L 03
RW60V03	A011127	25L03 (A002021)	56,8 mm	245 L 03
RW60V04	A011878	25L76 (A011915)	56,5 mm	215 L 76

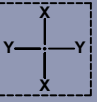
KOD / CODE	AĞIRLIK (kg/m) / WEIGHT	Jxx cm <sup>4</sup>	Jyy cm <sup>4</sup>	L m	
RW60K01	1,597	38,218	91,717	6	
RW60K02	1,414	33,949	81,941	6	

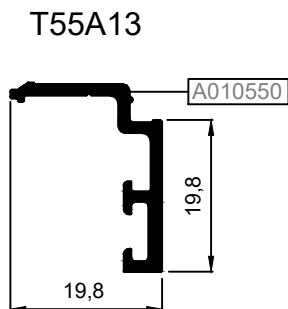
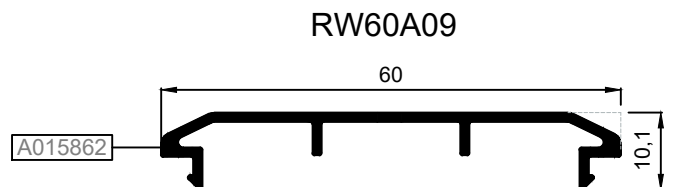
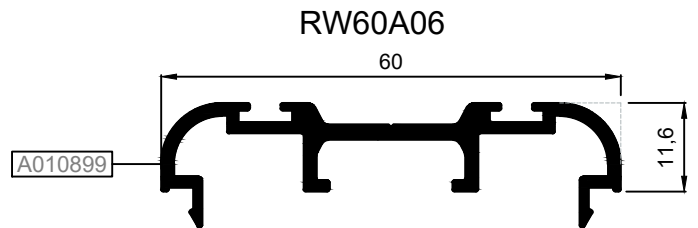
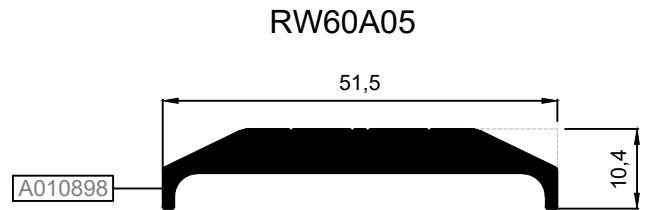
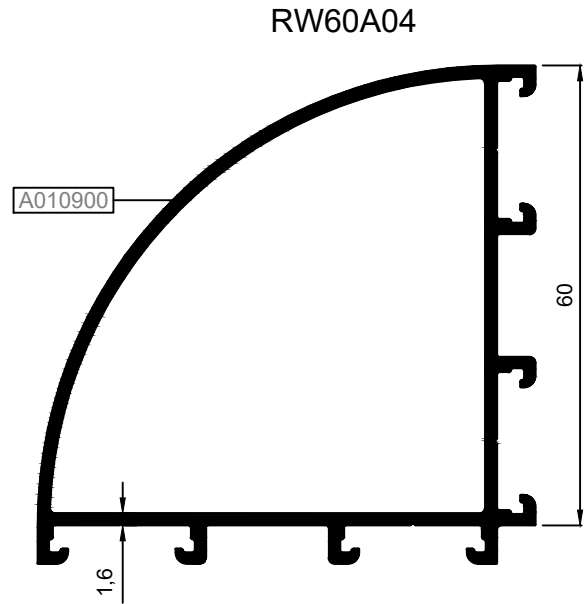
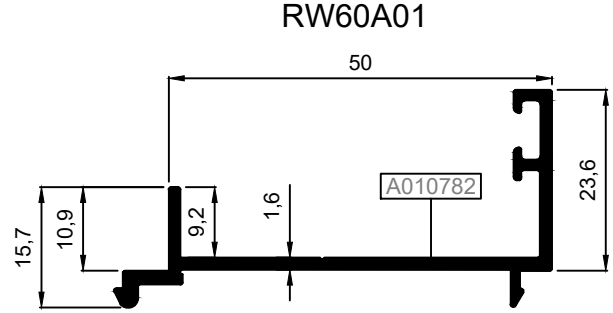
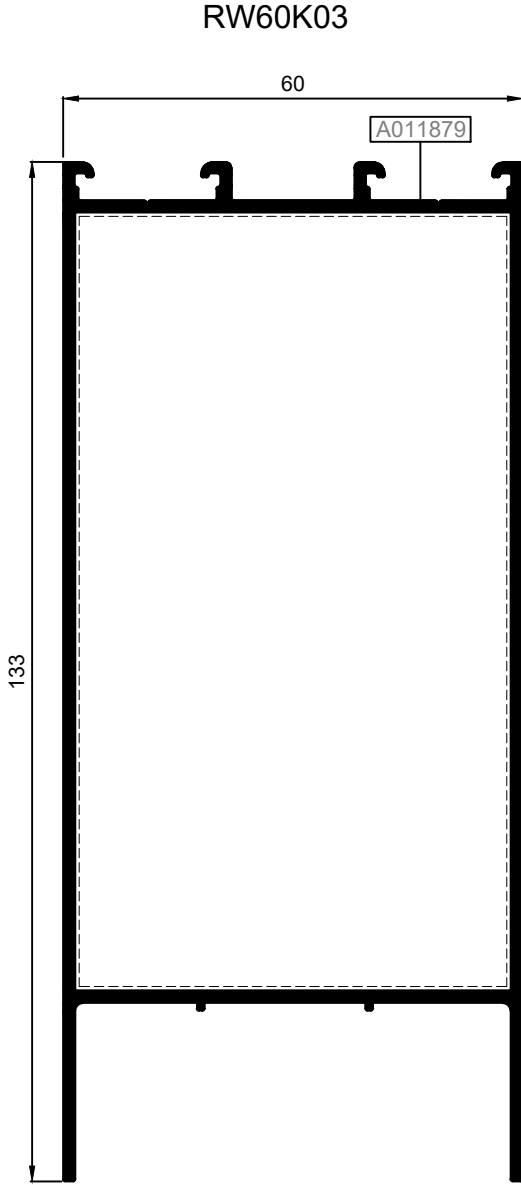
RW60K01



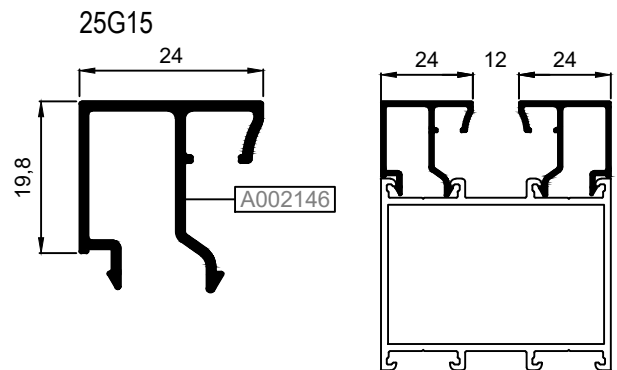
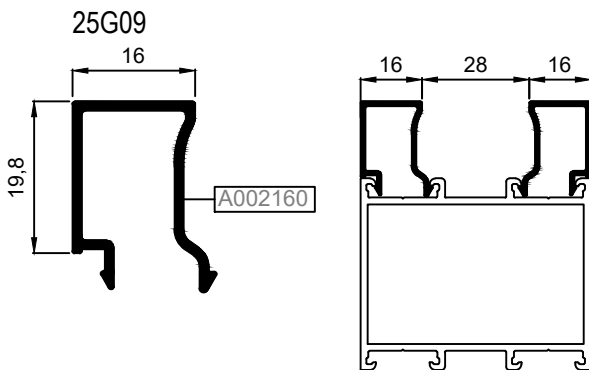
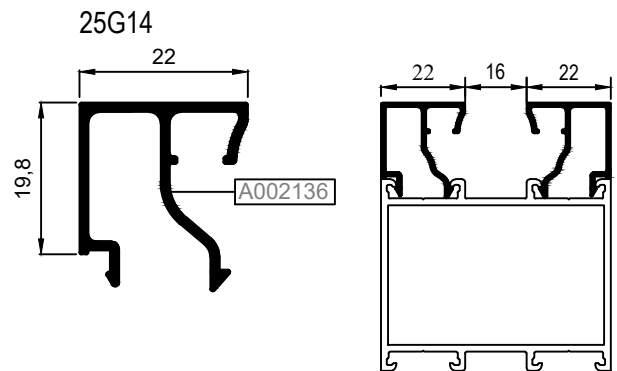
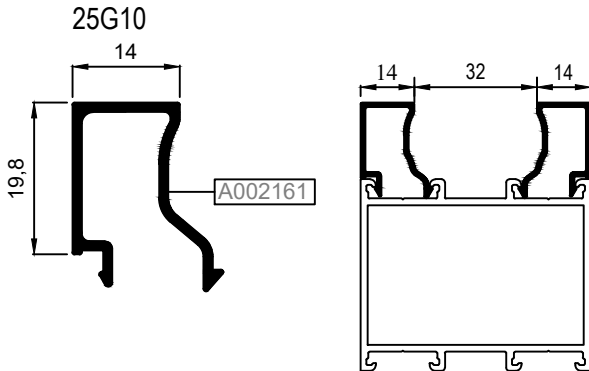
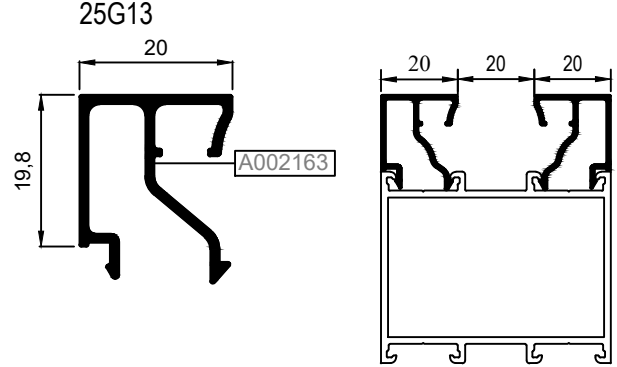
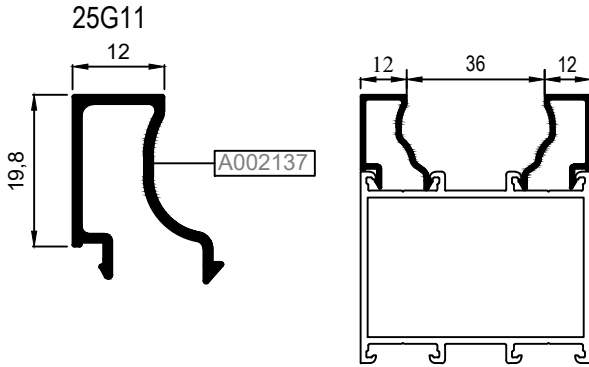
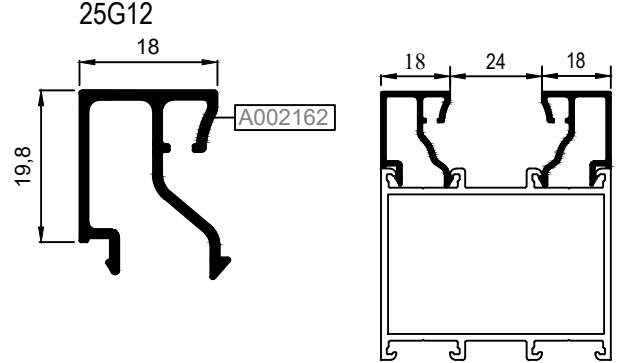
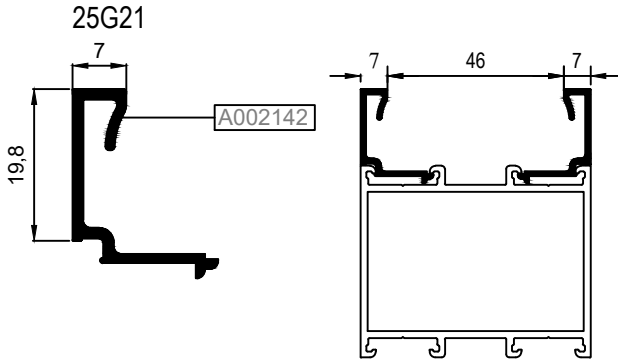
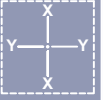
RW60K02



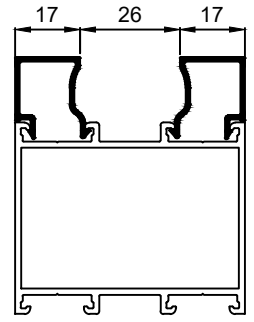
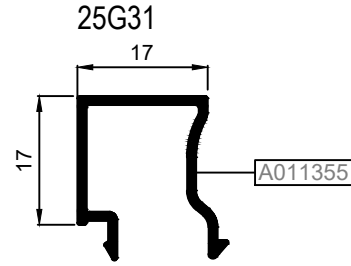
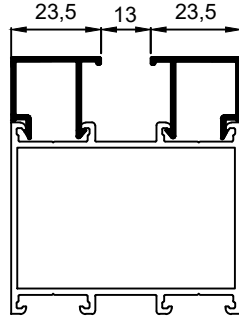
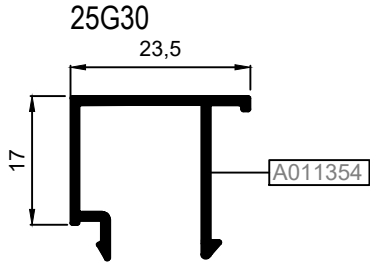
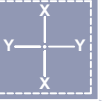
KOD / CODE	AĞIRLIK (kg/m) / WEIGHT	Jxx cm <sup>4</sup>	Jyy cm <sup>4</sup>	L m	
RW60K03	1,741	42,069	124,474	6	
RW60A01	0,431	----	----	6	
RW60A04	1,166	----	----	6	
RW60A05	0,706	----	----	6	
RW60A06	0,577	----	----	6	
RW60A09	0,301	----	----	6	
T55A13	0,220	----	----	6	

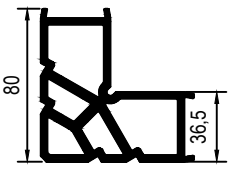

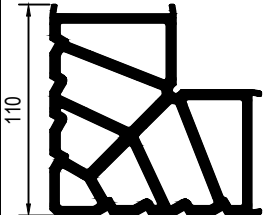


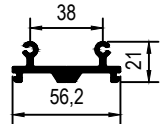
KOD / CODE	AĞIRLIK (kg/m) / WEIGHT	L m	KOD / CODE	AĞIRLIK (kg/m) / WEIGHT	L m
25G21	0,196	6	25G13	0,278	6
25G11	0,224	6	25G14	0,281	6
25G10	0,226	6	25G15	0,285	6
25G09	0,229	6			
25G12	0,270	6			




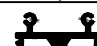
KOD / CODE	AĞIRLIK (kg/m) / WEIGHT	L m	KOD / CODE	AĞIRLIK (kg/m) / WEIGHT	L m
25G30	0,229	6			
25G31	0,209	6			



PROFİL KODU (PROFILE CODE)	25L03	25L50	25L76	
FABRİKA KODU(FACTORY CODE)	A002021	A010838	A011915	
AĞIRLIK (WEIGHT)	4,315 kg/m	1,748 kg/m	9,507 kg/m	
ÇİZİM (DRAWING)				

PROFİL KODU (PROFILE CODE)	RW60A08			
FABRİKA KODU(FACTORY CODE)	A010976			
AĞIRLIK (WEIGHT)	0,967 kg/m			
ÇİZİM (DRAWING)				

KÖŞE TAKOZLARI (CORNER CLEAT)				
Nr		L m	KESİM ÖLÇÜSÜ CUTTING SIZE	AKS. KODU ACS. CODE
RW60F02	A010962	25L03 (A002021)	56,5 mm	215 L 03
RW60F04	A010975	25L50 (A010838)	56,5 mm	215 L 50
RW60F05	A011116	25L03 (A002021)	56,5 mm	215 L 03
RW60F06	A011128	25L03 (A002021)	56,8 mm	245 L 03
RW60V01	A010781	25L03 (A002021)	56,5 mm	215 L 03
RW60V03	A011127	25L03 (A002021)	56,8 mm	245 L 03
RW60V04	A011878	25L76 (A011915)	56,5 mm	215 L 76

ORTA KAYIT BAĞLANTI (MULLION CONNECTION PIECE)				
Nr		L m	KESİM ÖLÇÜSÜ CUTTING SIZE	AKS. KODU ACS. CODE
RW60F02	A010962	RW60A08 (A010976)	36,5 mm	112 A 08
RW60F03	A010974	RW60A08 (A010976)	81,5 mm	386 A 08
RW60F04	A010975	RW60A08 (A010976)	6,2 mm	127 A 08
RW60F05	A011116	RW60A08 (A010976)	36,5 mm	112 A 08
RW60F06	A011128	RW60A08 (A010976)	36,5 mm	112 A 08
RW60K01	A010783	RW60A08 (A010976)	88,2 mm	387 A 08
RW60K02	A011129	RW60A08 (A010976)	88,2 mm	387 A 08
RW60K03	A011879	RW60A08 (A010976)	101,1 mm	388 A 08

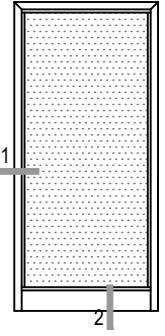
**MİMARİ KATALOG**  
ARCHITECTURAL CATALOGUE

**Alüminyum Kapı ve Pencere Sistemleri**  
Aluminium Door and Window Systems

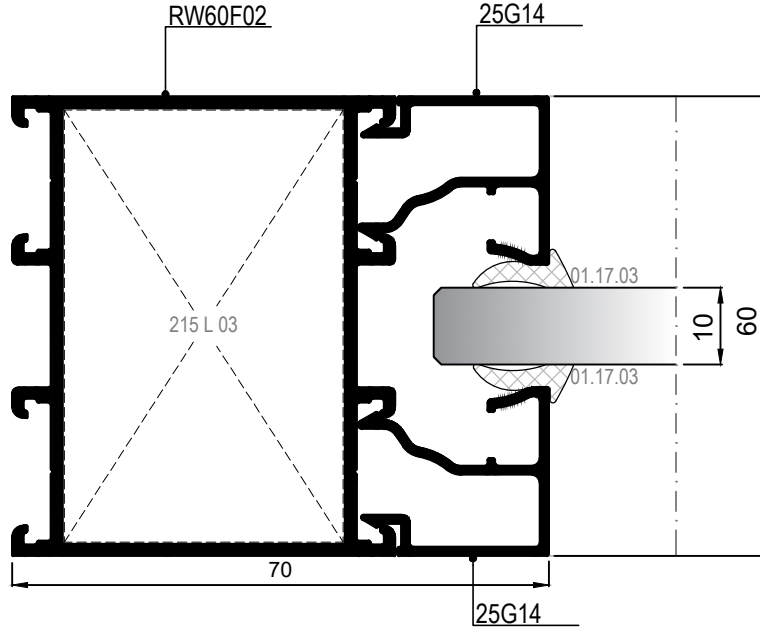
# RW60

**DETAYLAR**

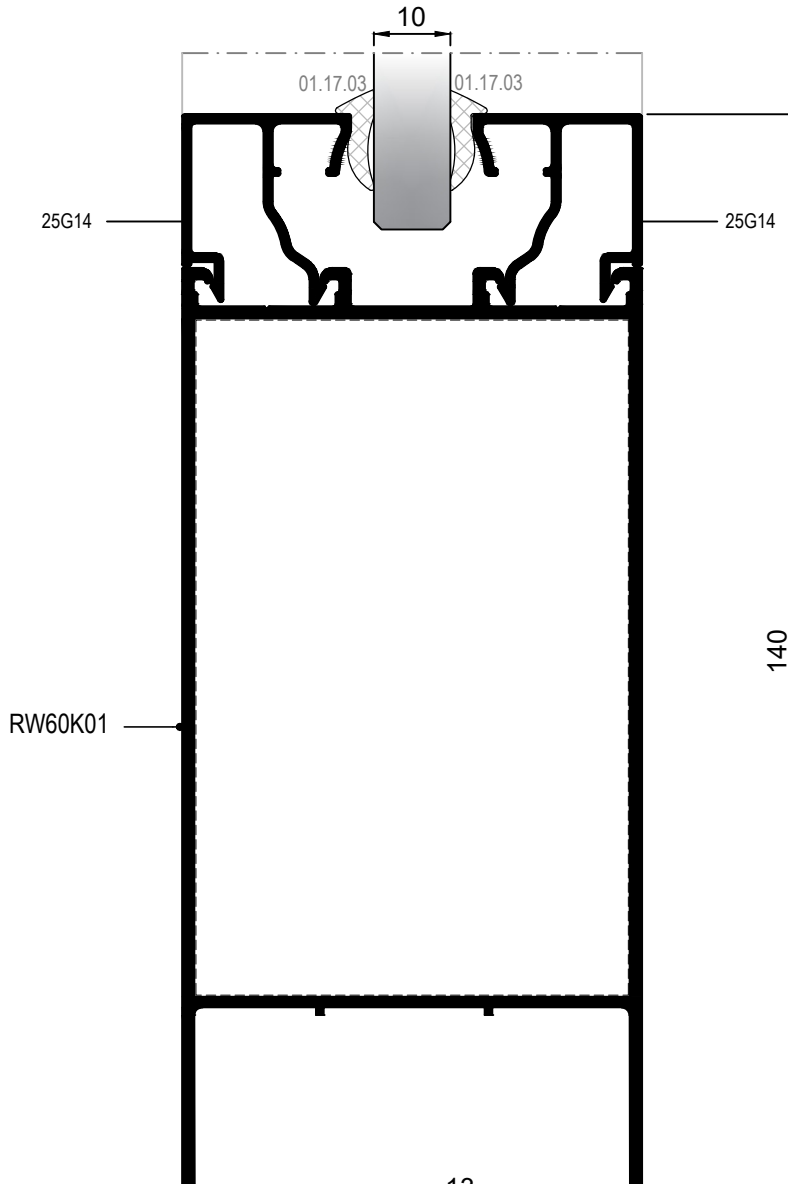
**DETAILS**

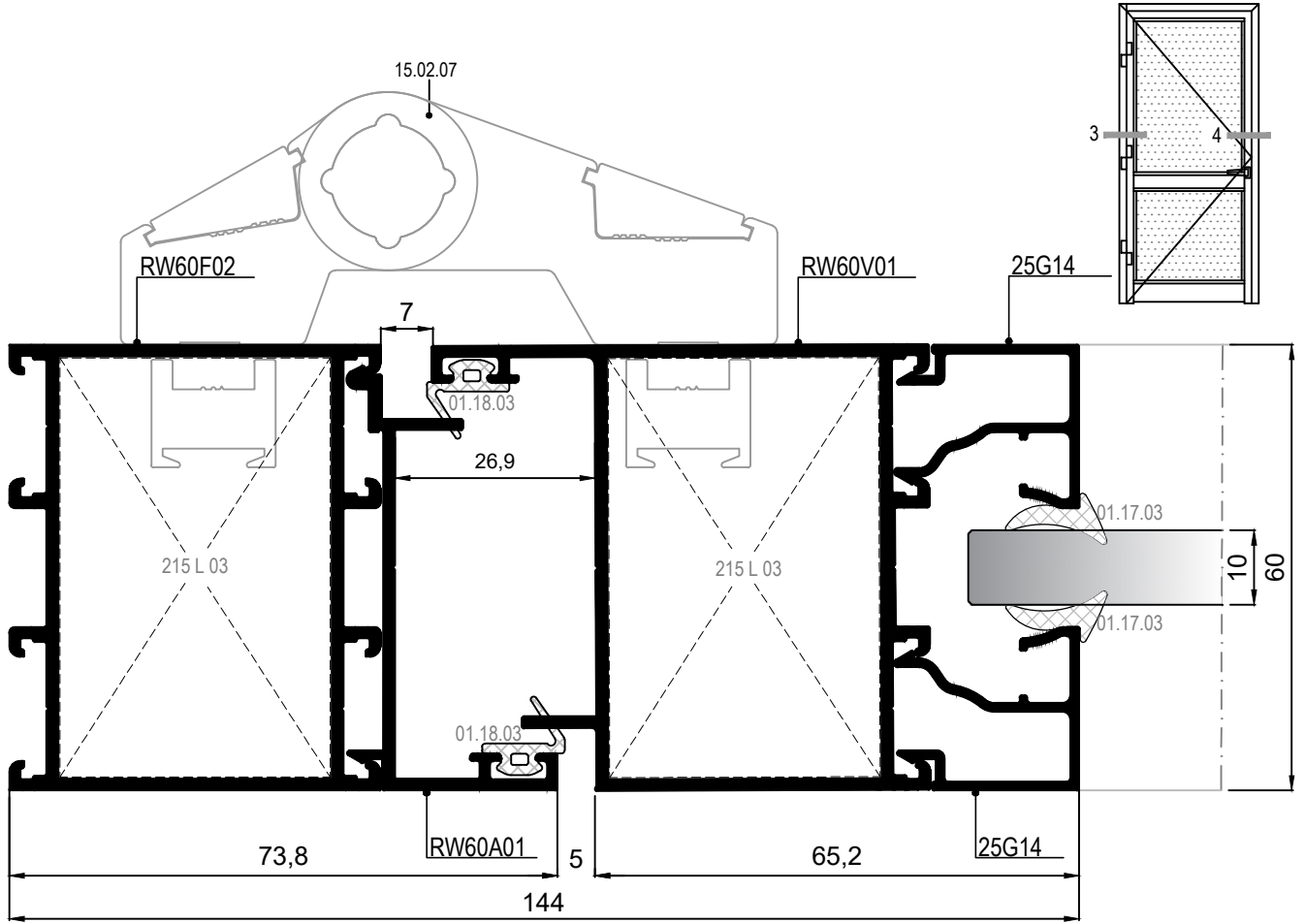


① DETAYI  
DETAIL

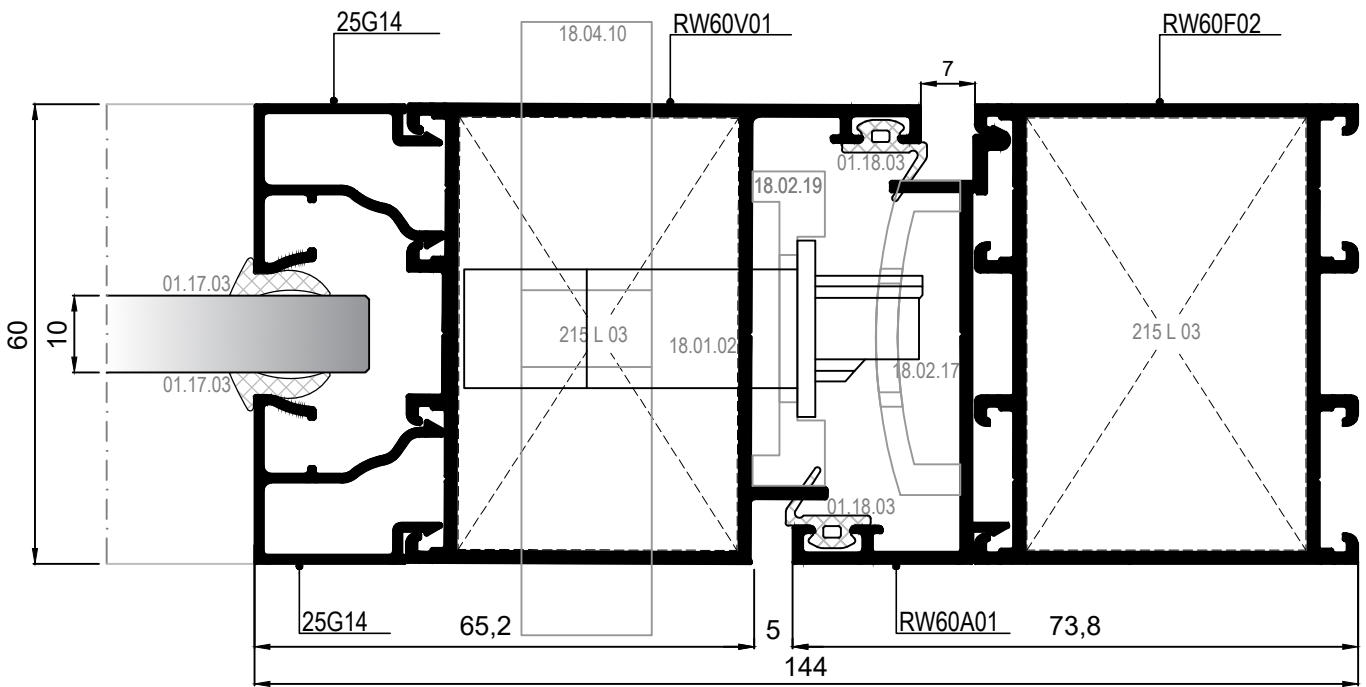


② DETAYI  
DETAIL

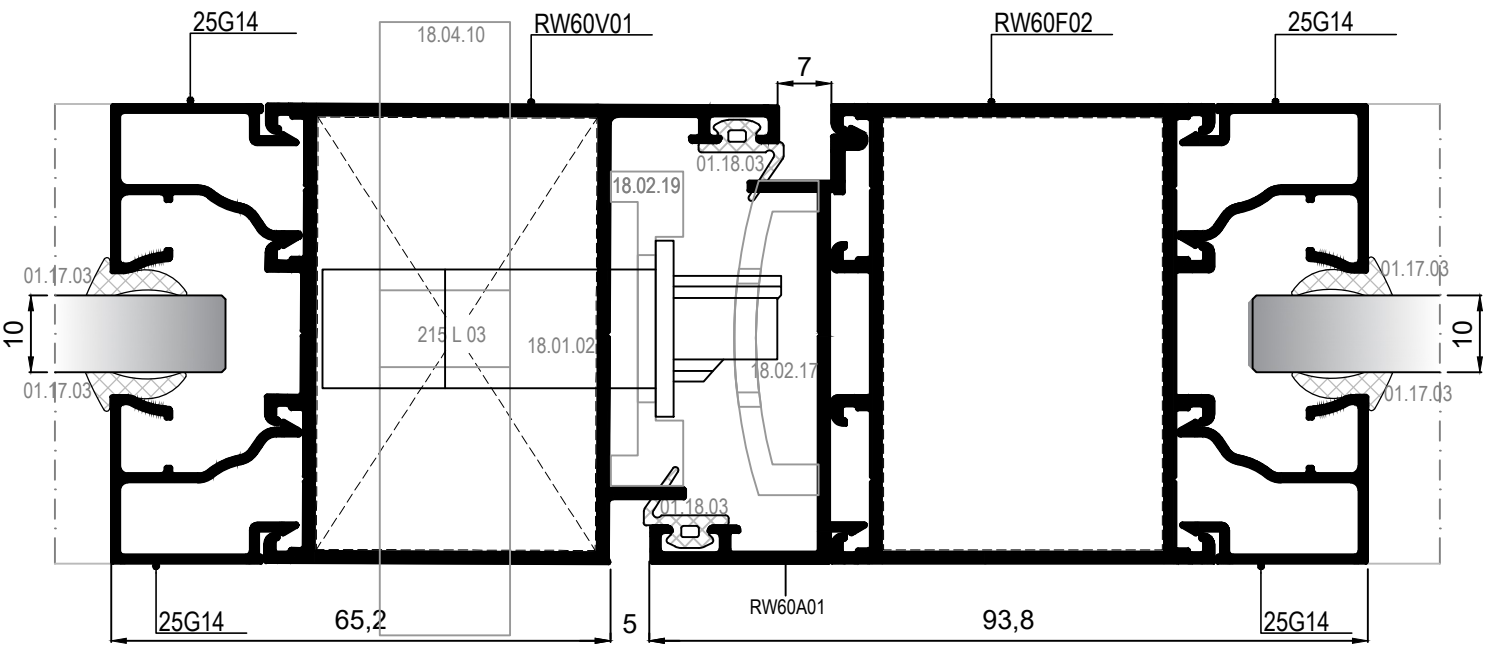
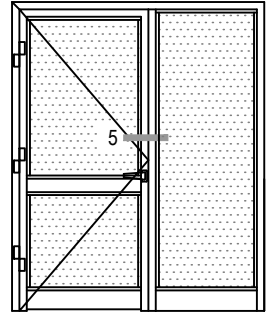




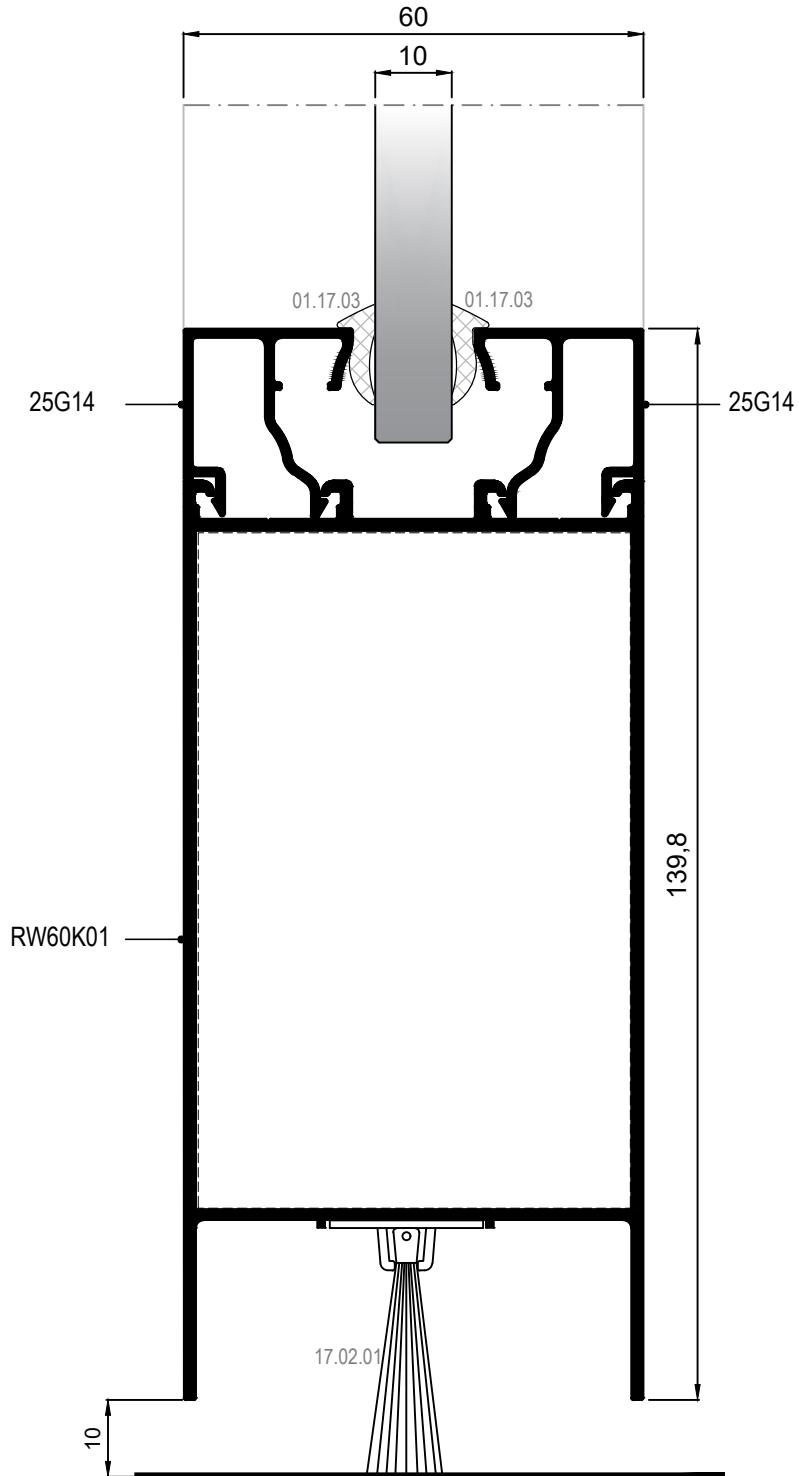
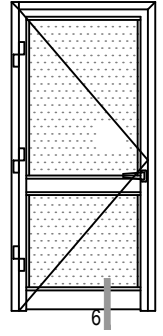
③ DETAYI  
DETAIL



④ DETAYI  
DETAIL

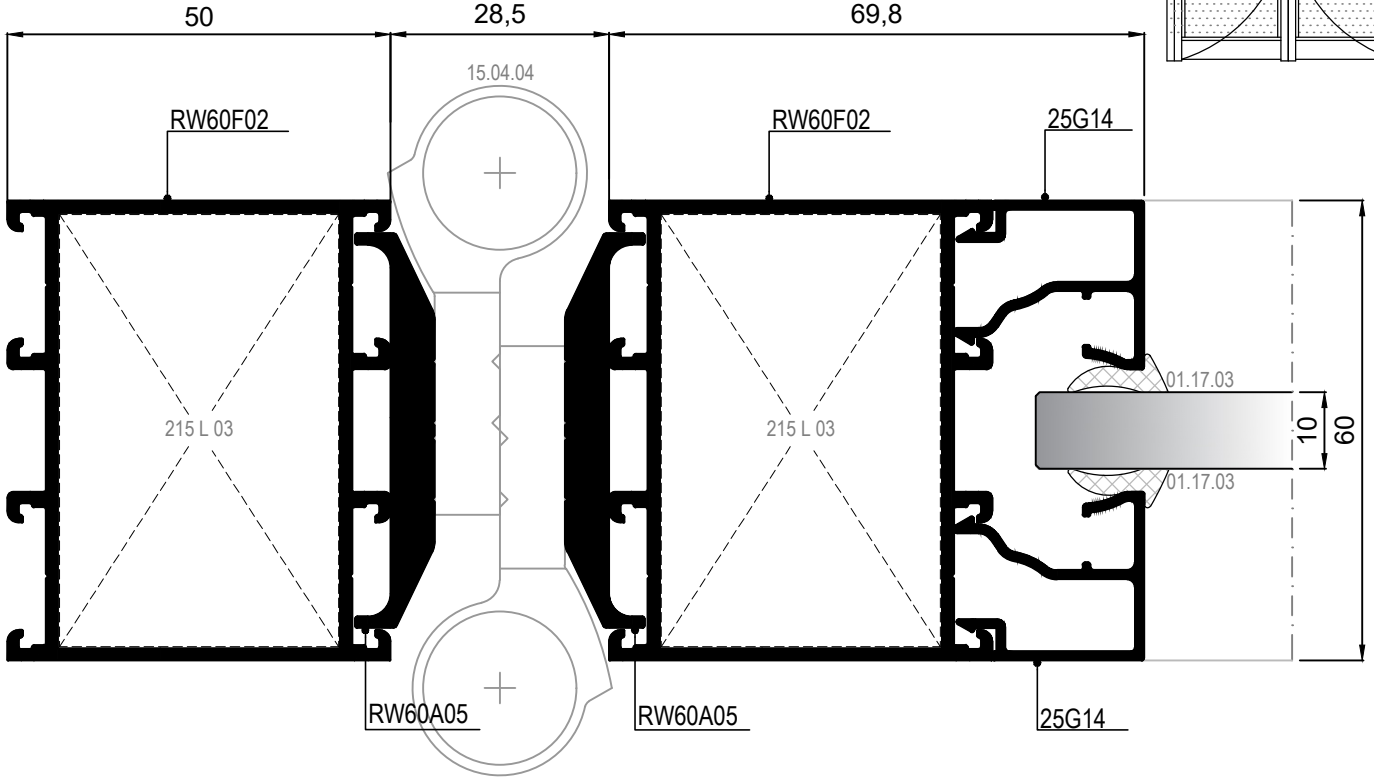
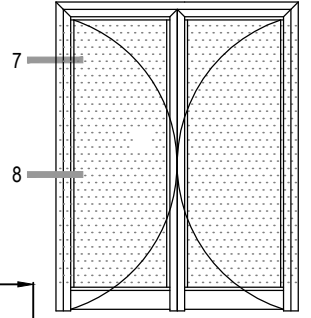


⑤ DETAYI  
DETAIL

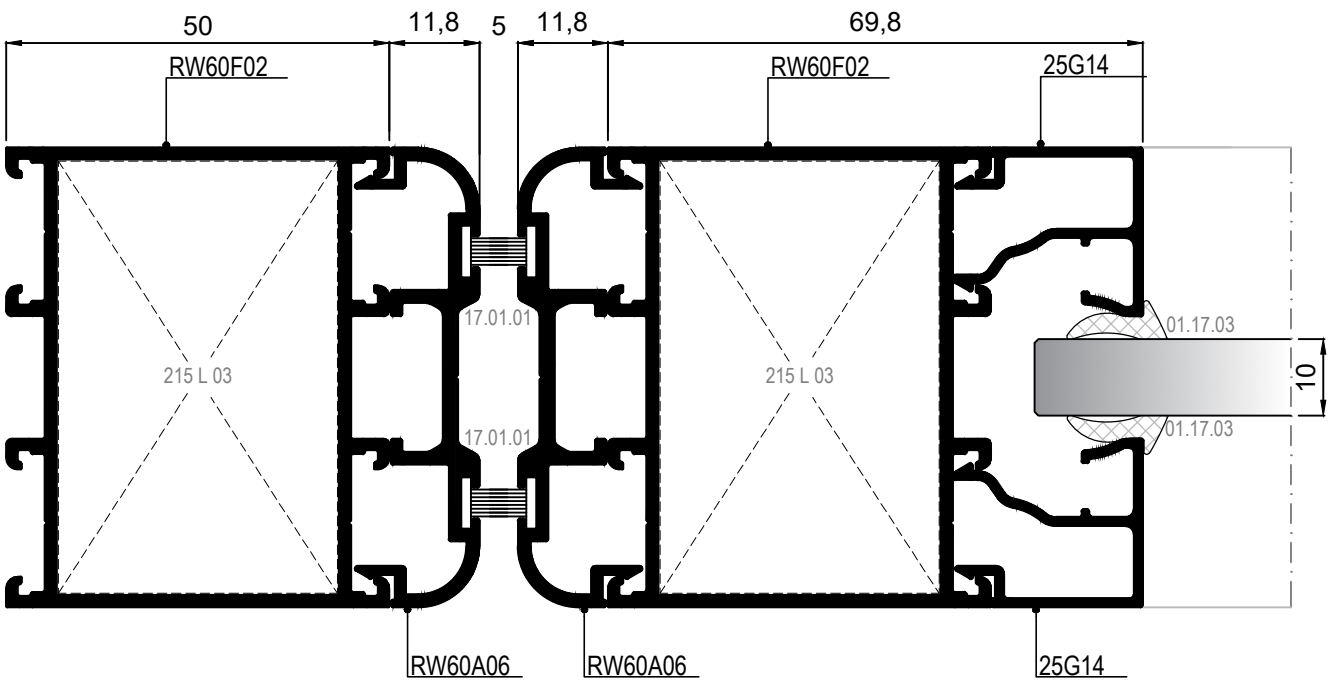


⑥ DETAYI  
DETAIL

ÇARPMA KAPI DETAYLARI  
SWINGING DOOR DETAILS

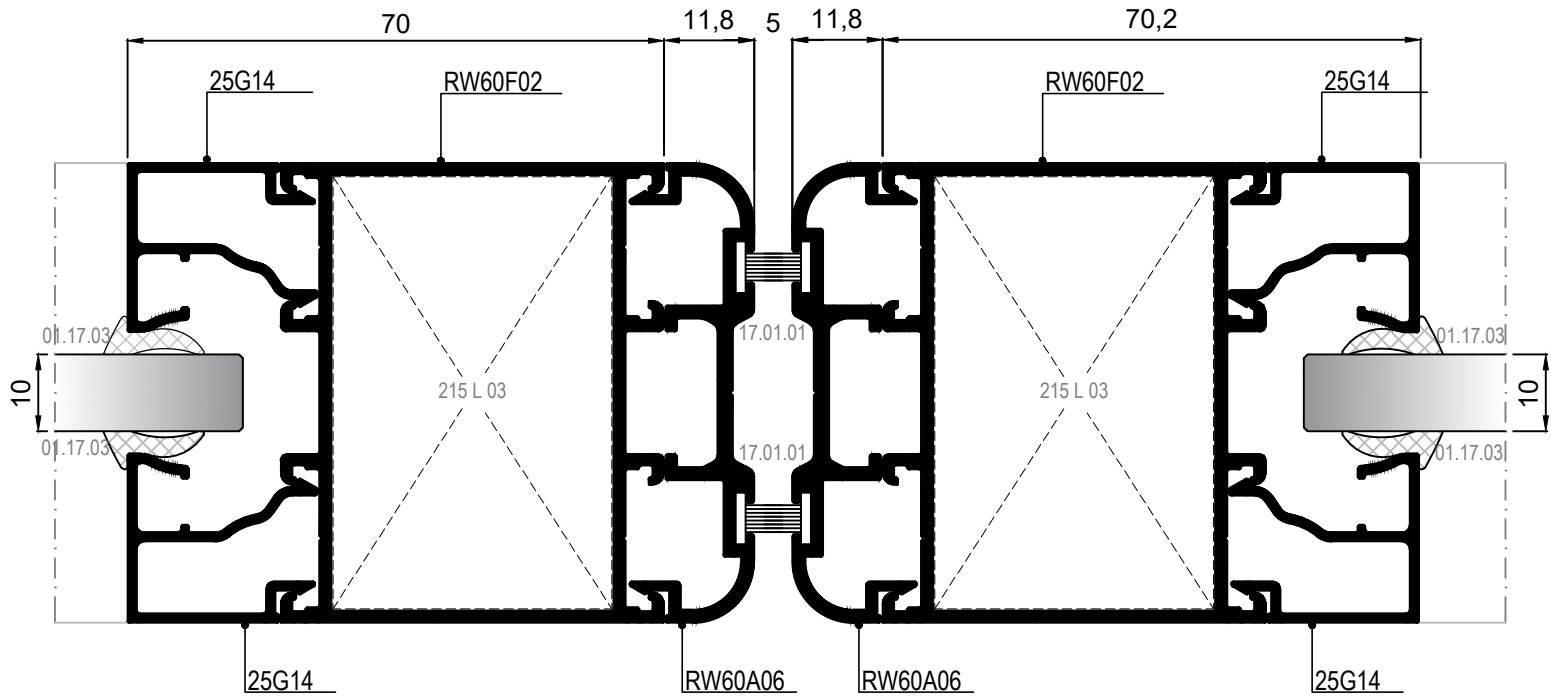
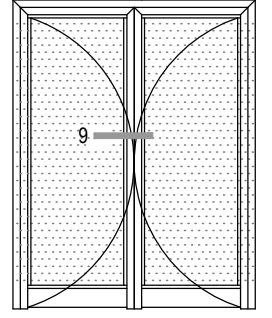


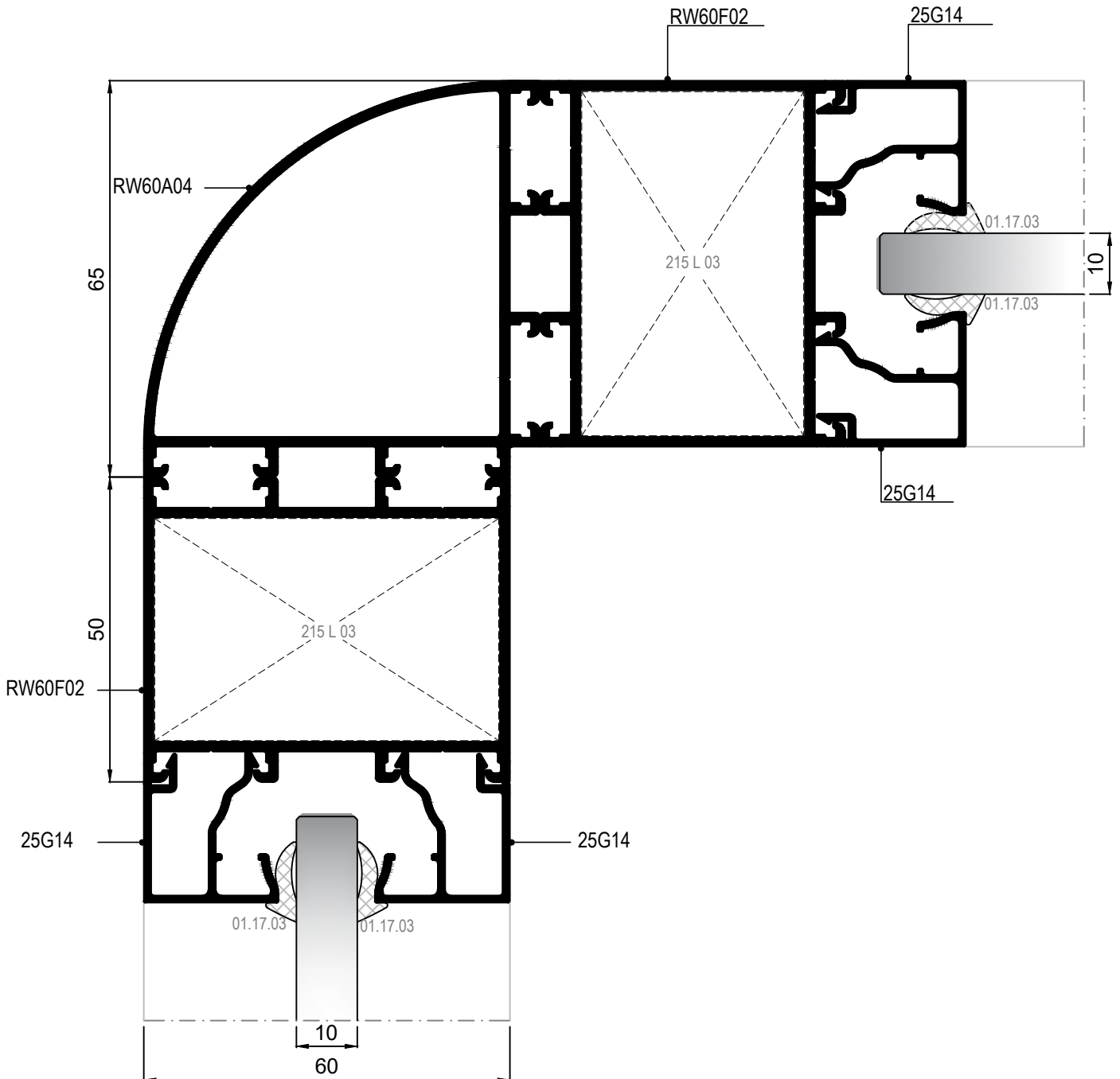
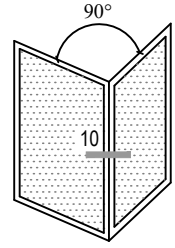
7 DETAYI  
DETAIL



8 DETAYI  
DETAIL

ÇARPMA KAPI DETAYLARI  
SWINGING DOOR DETAILS





⑩ DETAYI  
DETAIL


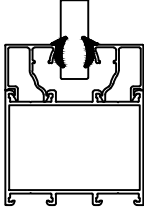

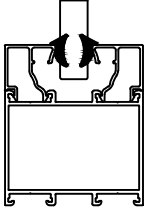

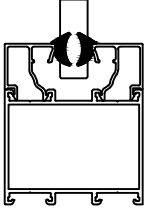

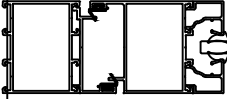

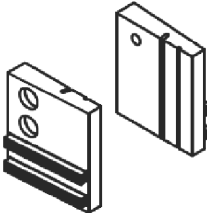
**MİMARİ KATALOG**  
ARCHITECTURAL CATALOGUE

**Alüminyum Kapı ve Pencere Sistemleri**  
Aluminium Door and Window Systems

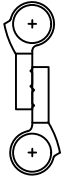
# RW60

**AKSESUARLAR**

**ACCESSORIES**

	<p><b>01.17.03</b> İÇ CAM FİTİLİ 2,8 mm INSIDE GLAZING GASKET 2,8 mm</p> <p>Malzeme / Material : EPDM Ağırlık / Weight : 59 gr/m Paket / Package: 254m / 15 kg</p>				
	<p><b>01.17.04</b> İÇ CAM FİTİLİ 3,6 mm INSIDE GLAZING GASKET 3,6 mm</p> <p>Malzeme / Material : EPDM Ağırlık / Weight : 71 gr/m Paket / Package: 210m / 15 kg</p>				
	<p><b>01.17.05</b> İÇ CAM FİTİLİ 4,6 mm INSIDE GLAZING GASKET 4,6 mm</p> <p>Malzeme / Material : EPDM Ağırlık / Weight : 89 gr/m Paket / Package: 168m / 15 kg</p>				
	<p><b>01.18.03</b> DIŞ BİNE FİTİLİ OUTSIDE ACOUSTICAL GASKET</p> <p>Malzeme / Material : EPDM Ağırlık / Weight : 41 gr/m Paket / Package: 365m / 15 kg</p>				
	<p><b>17.01.01</b> KIL FİTİL 670x700 BRUSH 670x700</p> <p>Malzeme / Material Polipropilen / Polypropilene Paket / Package : 275 mt</p>				

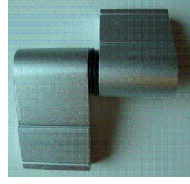
## KAPI MENTEŞELERİ / DOOR HINGES



**15.04.04**

ÇARPMA KAPI MENTEŞESİ  
SWING DOOR HINGLE

Malzeme / Material : Paslanmaz Çelik / Stainless Steel

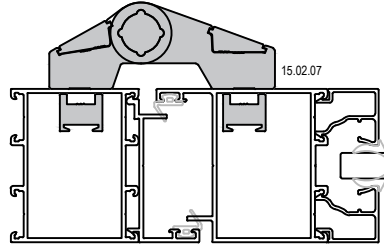
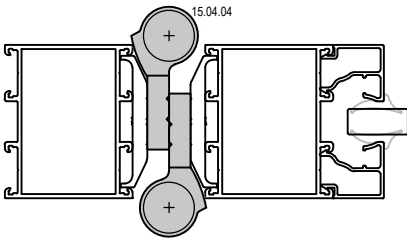


**15.02.07**

YERLİ KAPI MENTEŞESİ  
LOCAL HINGE FOR DOORS

Renk / Colour : Siyah-Beyaz-Gri-Eloksal  
Black-White-Grey-Anodized

100 kg için 2 adet kullanılmalıdır. / Should be used 2 for 100 kg.  
Max. kanat ölçüsü 900x2200 / Max. vent dimension 900x2200  
TS EN 1935



Ölçek/Scale: 1/3

## KAPI KOLLARI / DOOR HANDLES



07.14.06

GIESSE KAPI KOLU  
GIESSE DOOR HANDLE

Renk / Colour : Siyah-Beyaz-Gri  
Black-White-Grey



07.14.07

RESCARA GLOBAL KAPI KOLU  
RESCARA GLOBAL DOOR HANDLE

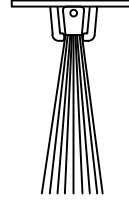
Renk / Colour : Siyah-Beyaz-Gri  
Black-White-Grey



07.14.08

RESCARA MULETA KAPI KOLU  
RESCARA GLOBAL DOOR HANDLE

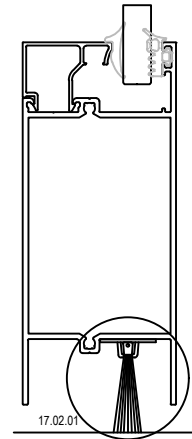
Renk / Colour : Siyah-Beyaz-Gri  
Black-White-Grey



17.02.01

KAPI ALTI FIRÇASI  
BRUSH FOR DOORS

Malzeme / Material : Polipropilen / Polypropylene



KAPI KOLLARI / DOOR HANDLES

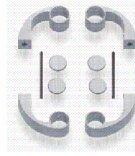


07.17.19

AKBANK KAPI KOLU  
DOOR HANDLE

Renk / Colour : Siyah-Beyaz-Gri-Eloksal  
Black-White-Grey-Anodised

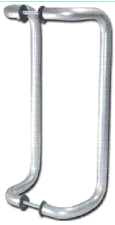
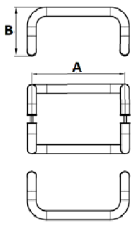
Ölçüler / Dimensions: H:200 cm


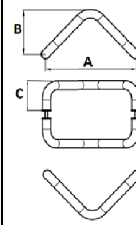



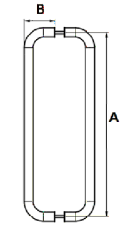
07.13.10


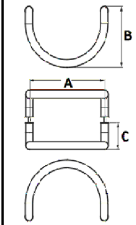
AKBANK KOL APARATI  
DOOR HANDLE

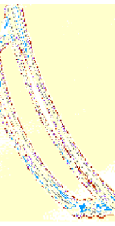
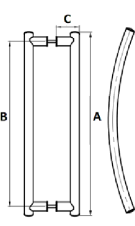
Renk / Colour : Siyah-Beyaz-Gri-Eloksal  
Black-White-Grey-Anodised

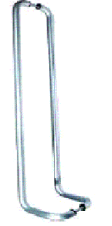
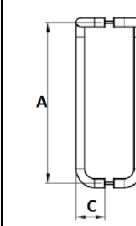
		KIVRIK KOL DOOR HANDLE Renk / Colour : Siyah-Beyaz-Eloksal Black-White-Anodised		
KOD CODE	Ø (mm)	A (mm)	B (mm)	
07.17.10	25	200	130	
07.17.11	25	300	130	
07.17.02	25	400	130	
07.17.27	25	500	160	

		V KOL DOOR HANDLE Renk / Colour : Siyah-Beyaz-Eloksal Black-White-Anodised		
KOD CODE	Ø (mm)	A (mm)	B (mm)	C (mm)
07.17.06	25	200	130	80
07.17.29	25	250	130	80
07.17.30	25	300	130	80
07.17.31	30	400	160	100

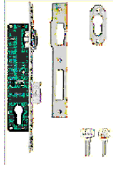
		U KOL DOOR HANDLE Renk / Colour : Siyah-Beyaz-Eloksal Black-White-Anodised		
KOD CODE	Ø (mm)	A (mm)	B (mm)	
07.17.08	25	200	80	
07.17.35	25	300	80	
07.17.36	30	400	100	

		YARIM AY KOL DOOR HANDLE Renk / Colour : Siyah-Beyaz-Eloksal Black-White-Anodised		
KOD CODE	Ø (mm)	A (mm)	B (mm)	C (mm)
07.17.32	25	200	130	80
07.17.20	25	300	130	80
07.17.33	30	350	160	100

		YAY KOL DOOR HANDLE Renk / Colour : Siyah-Beyaz-Eloksal Black-White-Anodised		
KOD CODE	Ø (mm)	A (mm)	B (mm)	
07.17.37	80	400	350	
07.17.22	80	500	450	
07.17.38	80	600	550	
07.17.39	80	700	650	
07.17.40	80	800	750	

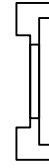
		BASTON KOL DOOR HANDLE Renk / Colour : Siyah-Beyaz-Eloksal Black-White-Anodised		
KOD CODE	Ø (mm)	A (mm)	B (mm)	C (mm)
07.17.23	25	900	180	80
07.17.34	25	1000	180	80

## KAPI KİLİTLERİ / DOOR LOCKS



18.01.01

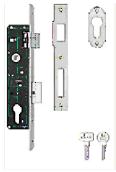
MAKARALI KİLİT  
MORTISE LOCK (WITH ROLLER)



18.02.19

DİLLİ KİLİT YATAĞI  
MORTISE LOCK PLATE

Renk / Colour : Siyah-Beyaz-Eloksal  
Black-White-Anodised



18.01.02

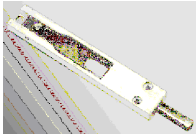
DİLLİ KİLİT  
MORTISE LOCK



18.02.17

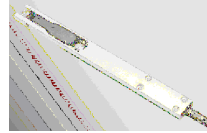
DİLLİ KİLİT KARŞILIĞI  
STRIKER FOR MORTISE LOCK

Renk / Colour : Siyah-Beyaz-Eloksal  
Black-White-Anodised



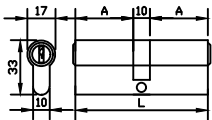
18.03.09

KAPI SÜRGÜSÜ (KISA)  
BOLT FOR DOORS (SHORT)



18.03.10

KAPI SÜRGÜSÜ (UZUN)  
BOLT FOR DOORS (LONG)



18.04.10

BAREL  
CYLINDER

Malzeme / Material : Krom-Nikel / Chrome-Nickel

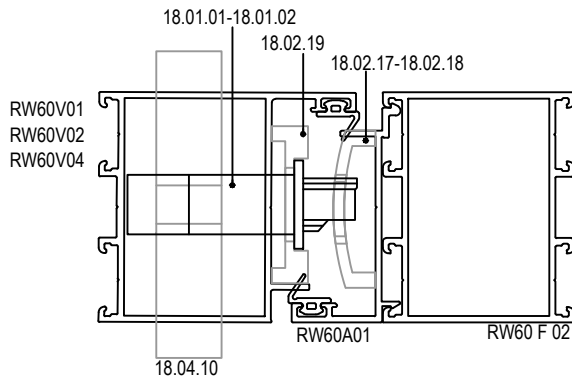
A	B	L
33	33	76



18.05.02

BAREL AYNASI  
CYLINDER COVER

Renk / Colour : Siyah-Beyaz-Gri  
Black-White-Grey



Ölçek/Scale: 1/2