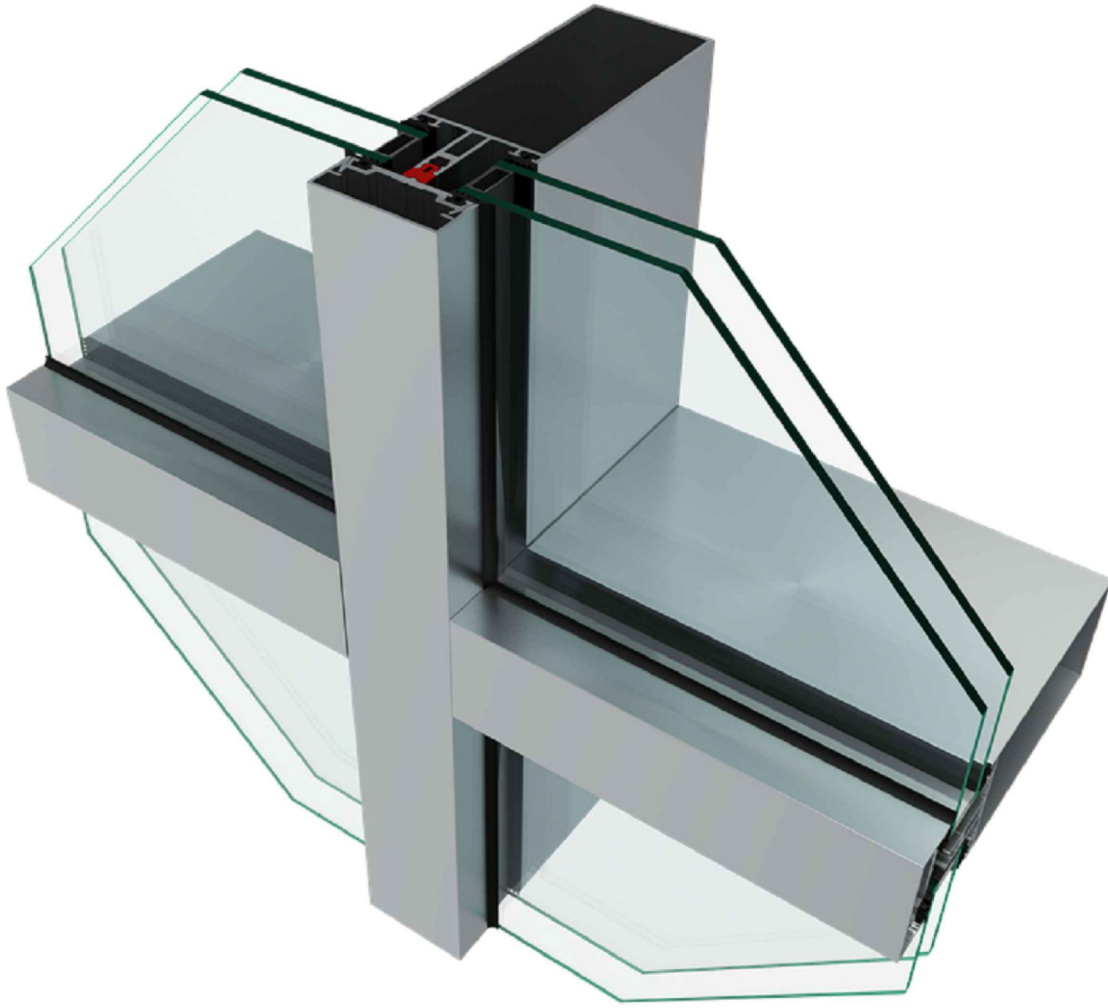


MİMARİ KATALOG
ARCHITECTURAL CATALOGUE

Alüminyum Cephe Sistemleri
Aluminium Facade Systems



RT50

GENEL BİLGİLER GENERAL INFORMATION

ASAŞ ALÜMİNYUM BU KATALOGDA YER ALAN SİSTEMLERDE GEREKLİ GÖRDÜĞÜ DEĞİŞİKLİĞİ YAPMA HAKKINA SAHIPTIR.
ASAŞ ALUMINIUM RESERVES THE RIGHT TO MAKE ANY CHANGES IT DEEMS NECESSARY TO THE SYSTEMS FEATURED IN THIS CATALOGUE.

BU KATALOGDA YER ALAN ÜRÜNLER TÜRK PATENT ENSTİTÜSÜ TARAFINDAN TESCİL EDİLMİŞTİR. İZINSİZ KULLANILAMAZ VE ÇOĞALTILAMAZ.

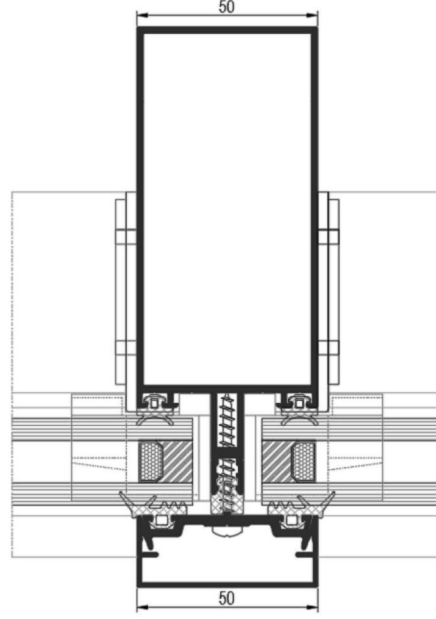
THE PRODUCTS IN THIS CATALOGUE ARE REGISTERED BY THE TURKISH PATENT INSTITUTE. THEY MAY NOT BE USED OR REPRODUCED WITHOUT PERMISSION.

KATALOGDA YER ALAN PROFİL AĞIRLIKLARI TEORİK OLARAK HESAPLANMIŞTIR. PROFİL AĞIRLIKLARINDA ESAS ASAŞ KANTAR ÖLÇÜMLERİDİR. TEORİK AĞIRLIKLAR İLE ARASINDA +/- %10 FARK OLABİLİR.

THE PROFILE WEIGHTS LISTED IN THE CATALOGUE ARE CALCULATED THEORETICALLY. THE ACTUAL WEIGHTS ARE BASED ON ASAŞ SCALE MEASUREMENTS. THERE MAY BE A DIFFERENCE OF +/- 10% BETWEEN THE THEORETICAL WEIGHTS AND THE ACTUAL WEIGHTS.

MİMARİ SİSTEMİN NOKTA DETAYLARINDAKİ VİDA TİPLERİ VE ÖLÇÜLERİ YALNIZCA PRENSİP OLARAK VERİLMİŞTİR. BU BİLGİLER BAĞLAYICI TEKNİK HESAP NİTELİĞİNDE DEĞİLDİR. PROJENİN MODÜLASYONUNA, PROJEDE ÖN GÖRÜLEN RÜZGAR YÜKLERİNE, ISIL DEĞERLERE, KASET EBATLARINA VE DİĞER PROJE DİNAMİKLERİNE GÖRE İMALAT VE MONTAJDA KULLANILACAK VİDA EBATLARI DEĞİŞİKLİK GÖSTEREBİLİR. BU NEDENLE KULLANILACAK VİDA TİPLERİNİN, ADETLERİNİN VE MONTAJ ARALIKLARININ STATİK HESAP SONUCU BELİRLENMESİ ZORUNLUDUR. STATİK HESAP YAPILMADAN TARAFIMIZCA VERİLEN ÖNERİLER BAĞLAYICI DEĞİLDİR. İLGİLİ VİDALARIN DOĞRU BOYUTLANDIRILMASI, DOĞRU KULLANIMI VE SAHADA UYGULANMASI İLE İLGİLİ TÜM SORUMLULUK UYGULAMA FİRMASI'NA AİTTİR.

THE TYPES AND DIMENSIONS OF SCREWS IN THE POINT DETAILS OF THE ARCHITECTURAL SYSTEM ARE PROVIDED FOR ILLUSTRATIVE PURPOSES ONLY. THIS INFORMATION DOES NOT CONSTITUTE BINDING TECHNICAL CALCULATIONS. THE SCREW DIMENSIONS TO BE USED IN MANUFACTURING AND INSTALLATION MAY VARY DEPENDING ON THE MODULATION OF THE PROJECT, THE WIND LOADS ANTICIPATED IN THE PROJECT, THERMAL VALUES, CASSETTE DIMENSIONS, AND OTHER PROJECT DYNAMICS. FOR THIS REASON, IT IS MANDATORY TO DETERMINE THE TYPES, NUMBERS, AND INSTALLATION INTERVALS OF THE SCREWS TO BE USED BASED ON STATIC CALCULATIONS. RECOMMENDATIONS PROVIDED BY US WITHOUT STATIC CALCULATIONS ARE NOT BINDING. ALL RESPONSIBILITY FOR THE CORRECT DIMENSIONING, USE AND APPLICATION OF THE RELEVANT SCREWS ON SITE LIES WITH THE APPLICATION COMPANY.



TEKNİK ÖZELLİKLERİ / TECHNICAL PROPERTIES

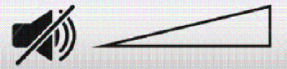


PROFİL GENİŞLİĞİ / PROFILE WIDTH	50 mm
DİKME DERİNLİKLERİ / MULLION DEPTHS	min. 30mm - max. 146mm
KAYIT DERİNLİKLERİ / TRANSOM DEPTHS	min. 30mm - max. 146mm
PROFİL ET KALINLIĞI / PROFILE WALL THICKNESS	1,5 / 1,8 mm
MAX. CAM KALINLIĞI / MAX. GLASS THICKNESS	40 mm
ISI BARIYERLERİ / THERMAL INSULATION BAR	14,8 mm

KULLANIM SEÇENEKLERİ / APPLICATION ALTERNATIVES

KAPAKLI CEPHE / FACADE WITH CAP	•
SİLİKON CEPHE / STRUCTURAL GLAZING	•
YARI KAPAKLI CEPHE / TWO SIDE	•
DIŞA AÇILIM GİZLİ KANAT / OUTWARD OPENING HIDDEN VENT	•

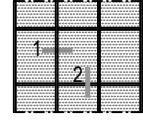
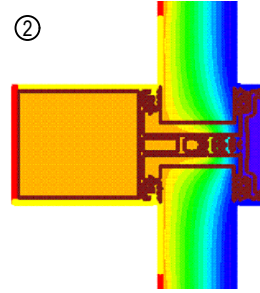
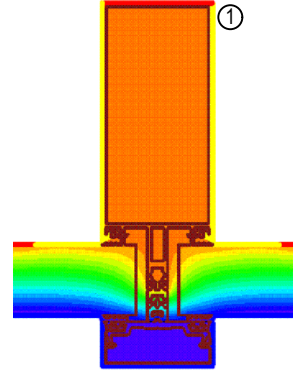
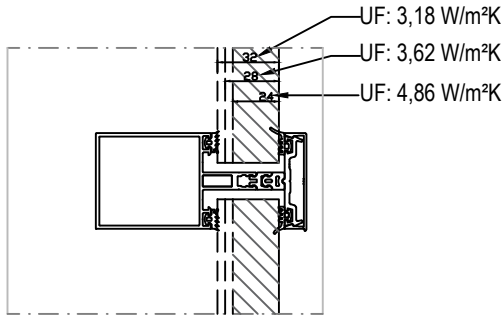
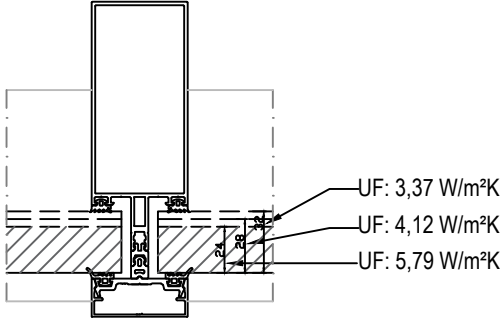
PERFORMANS DEĞERLERİ / PERFORMANCE VALUES

KAPAKLI CEPHE / FACADE WITH CAP

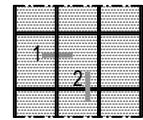
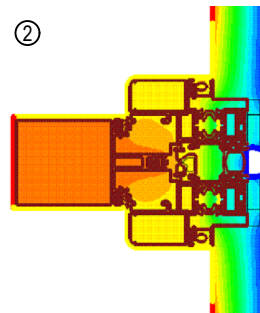
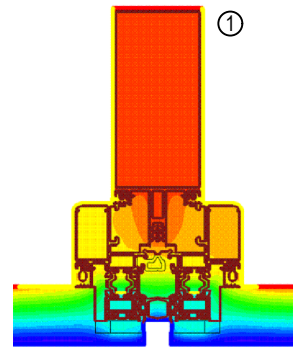
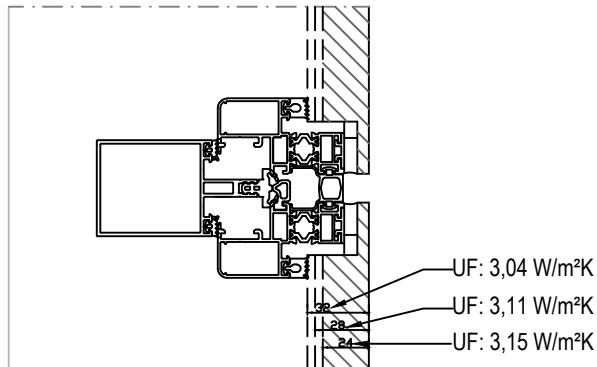
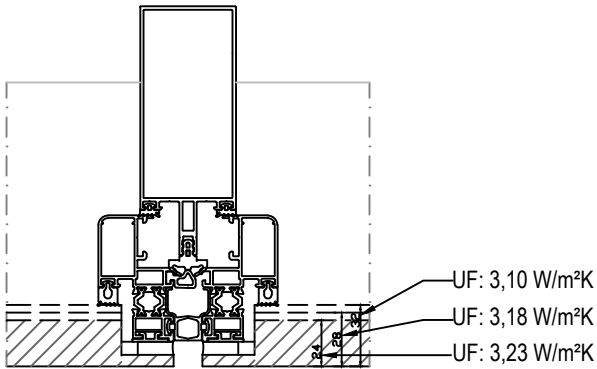
HAVA GEÇİRGENLİĞİ - EN 12152 (AIR PERMEABILITY)	1 (150 Pa)	2 (300 Pa)	3 (450 Pa)	4 (600 Pa)	
SU SIZDIRMAZLIĞI - EN 12154 (WATERTIGHTNESS)	R4 (150 Pa)	R5 (300 Pa)	R6 (450 Pa)	R7 (600 Pa)	RE... (600+ Pa)
RÜZGAR YÜKÜNE DAYANIM - EN 13830 (RESISTANCE TO WIND LOAD)	± 1200 Pa				
KAPAKLI SİSTEM SES YALITIMI - TS EN ISO 717-1 (ACOUSTIC PERFORMANCE VALUE)	 R_w (C ; C_{tr}) = 33,5(-1,6 ; 4,1) dB				
KAPAKLI SİSTEM UF DEĞERİ - EN 10077-2 (THERMAL INSULATION VALUE)	 3,18 ~ 5,79 W/M²K				
KASETLİ SİSTEM UF DEĞERİ - EN 10077-2 (THERMAL INSULATION VALUE)	 3,04 ~ 3,23 W/M²K				

ISI YALITIM DEĞERLERİ (UF) / THERMAL INSULATION VALUE (UF):

KAPAKLI CEPHE (COVER CAP SYSTEM)



SİLİKON CEPHE (STRUCTURAL GLAZING SYSTEM)



MİMARİ KATALOG
ARCHITECTURAL CATALOGUE

Alüminyum Cephe Sistemleri
Aluminium Facade Systems

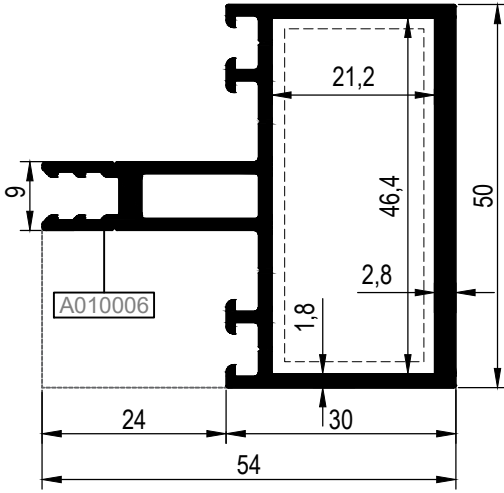
RT50

PROFİLLER

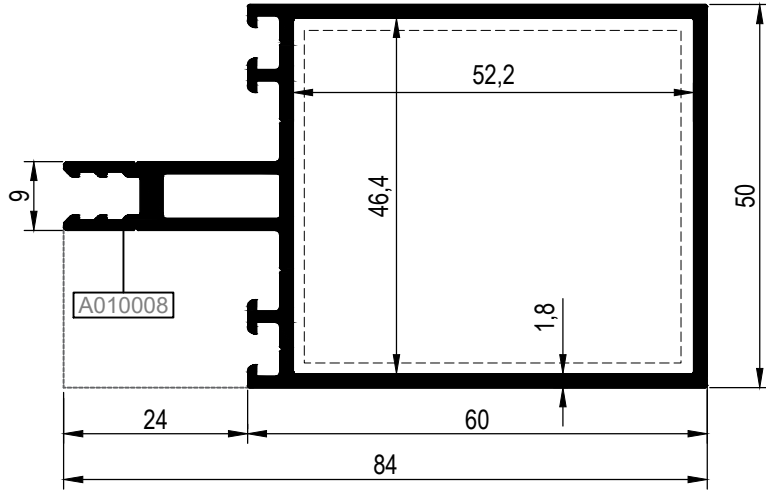
PROFILES

KOD / CODE	AĞIRLIK (kg/m) / WEIGHT	Jxx cm ⁴	Jyy cm ⁴	Wx cm ³	Wy cm ³	L m	
R50T01	1,218	11,053	10,72	3,221	4,029	6	
R50T02	1,288	23,932	14,077	5,890	5,635	6	
R50T03	1,384	34,565	16,180	7,683	6,472	6	
R50T13	1,178	12,781	22,291	3,223	8,917	6	

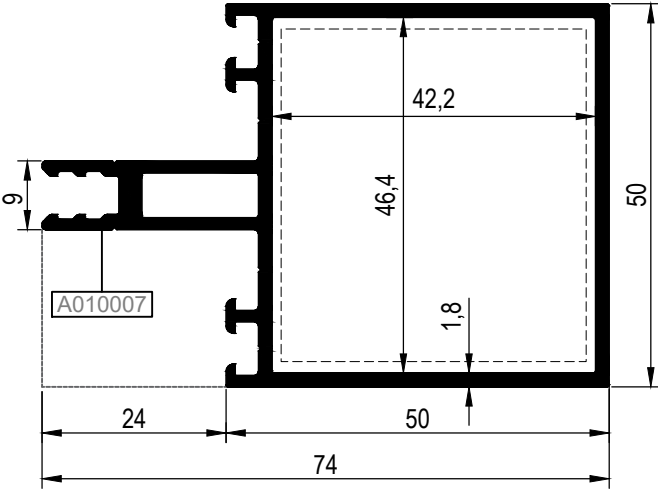
R50T01



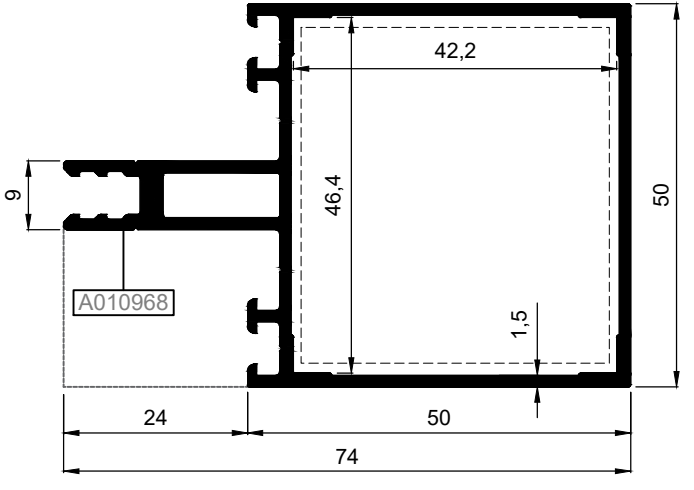
R50T03



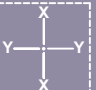
R50T02



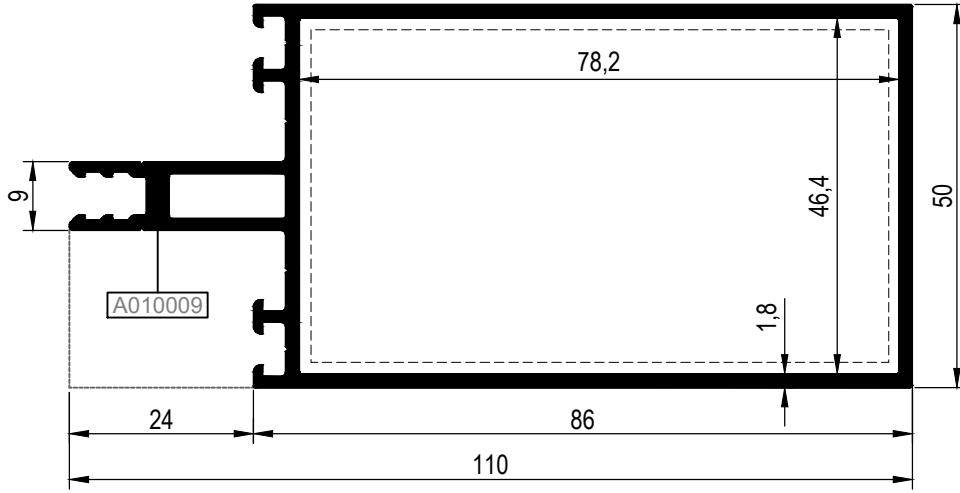
R50T13



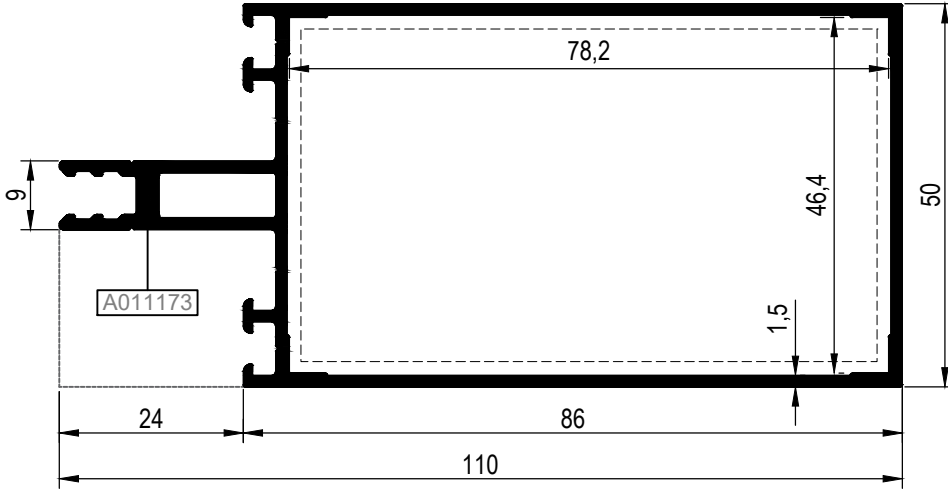
Nr	YATAY BAĞLANTI PROFİLİ		TRANSOM CONNECTION PROFILE		KESİM ÖLÇÜSÜ CUTTING SIZE
	PROFİL KODU / PROFILE CODE	AKSESUAR KODU / ACCESSORY CODE			
R50T01	A010006	R50C06		05.02.01	20,7 mm
R50T02	A010007	R50C06		05.02.02	41,9 mm
R50T03	A010008	R50C06		05.02.03	51,9 mm
R50T13	A010968	R50C06		05.02.02	41,9 mm

KOD / CODE	AĞIRLIK (kg/m) / WEIGHT	Jxx cm4	Jyy cm4	Wx cm3	Wy cm3	L m	
R50T04	1,641	74,492	21,619	13,145	8,648	6	
R50T18	1,470	68,386	19,134	12,401	7,654	6	

R50T04

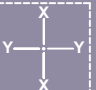


R50T18

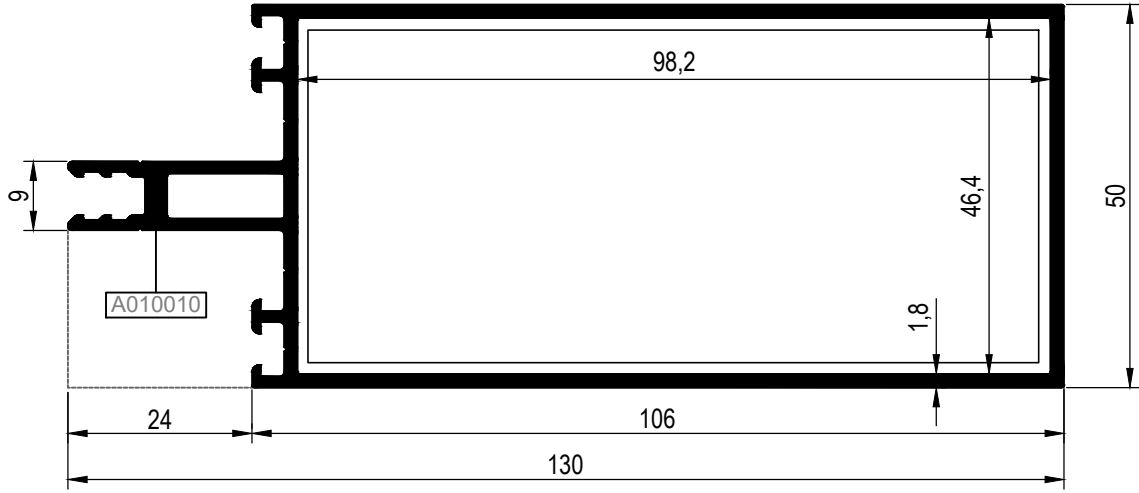


Nr	YATAY BAĞLANTI PROFİLİ		TRANSOM CONNECTION PROFILE		KESİM ÖLÇÜSÜ CUTTING SIZE
	PROFİL KODU / PROFILE CODE	AKSESUAR KODU / ACCESSORY CODE	AKSESUAR KODU / ACCESSORY CODE	AKSESUAR KODU / ACCESSORY CODE	
R50T04	A010009	R50C06	05.02.04	05.02.04	77,8 mm
R50T18	A011173	R50C06	05.02.04	05.02.04	77,8 mm

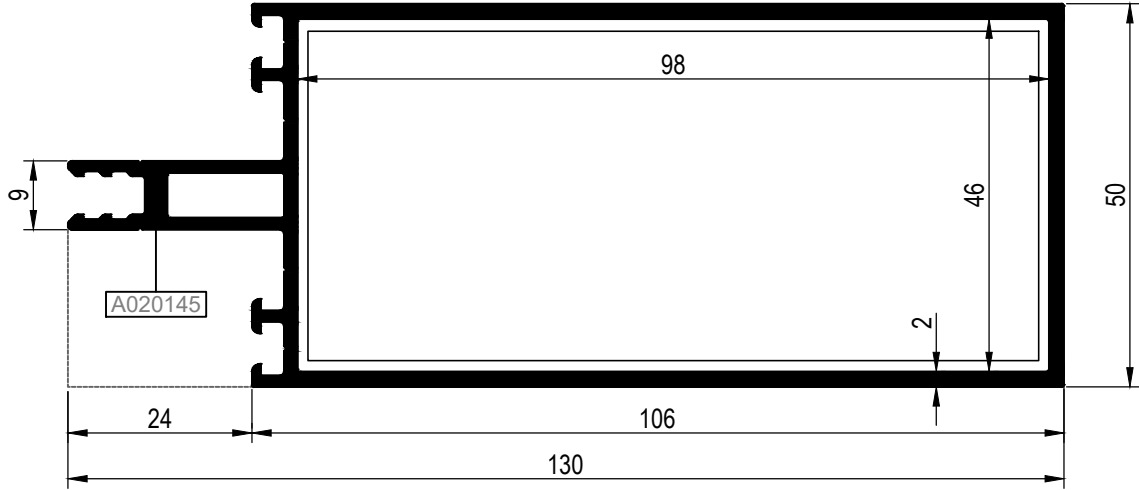
Nr	DÜŞEY BAĞLANTI PROFİLİ		MULLION CONNECTION PROFILE		KESİM ÖLÇÜSÜ CUTTING SIZE
	PROFİL KODU / PROFILE CODE	AKSESUAR KODU / ACCESSORY CODE	AKSESUAR KODU / ACCESSORY CODE	AKSESUAR KODU / ACCESSORY CODE	
R50T04	A010009	R50C16	06.01.13A (A011043) 06.01.13B (A011044)	06.01.13A (A011043) 06.01.13B (A011044)	77,7 mm
R50T18	A011173	R50C16	06.01.13A (A011043) 06.01.13B (A011044)	06.01.13A (A011043) 06.01.13B (A011044)	77,7 mm

KOD / CODE	AĞIRLIK (kg/m) / WEIGHT	Jxx cm ⁴	Jyy cm ⁴	Wx cm ³	Wy cm ³	L m	
R50T05	1,835	118,752	25,792	18,037	10,321	6	
R50T25	1,967	126,023	28,056	18,710	11,224	6	

R50T05

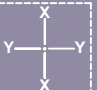


R50T25

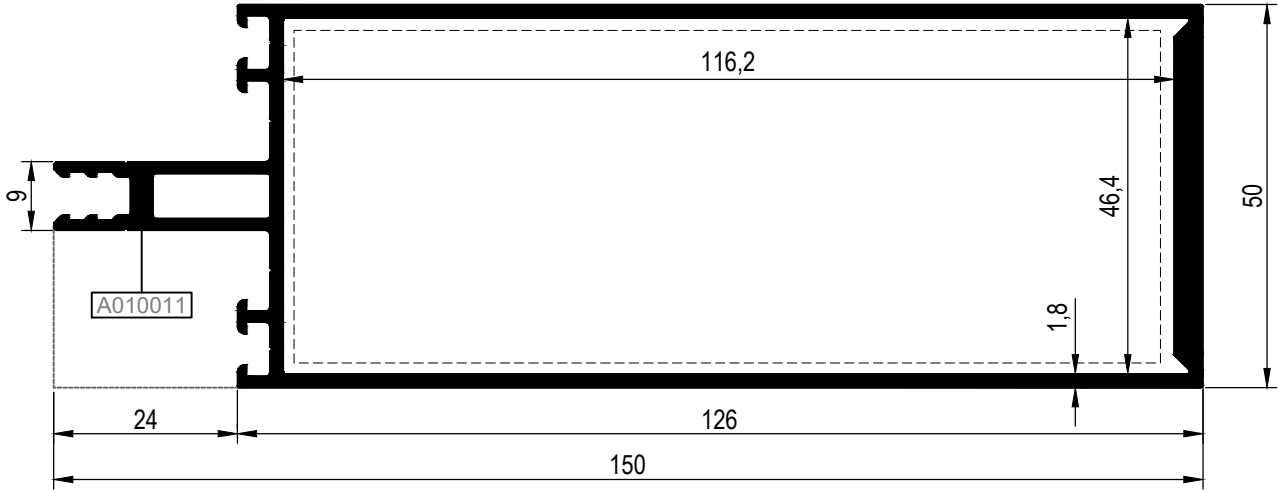


Nr	YATAY BAĞLANTI PROFİLİ		TRANSOM CONNECTION PROFILE		KESİM ÖLÇÜSÜ CUTTING SIZE
	PROFİL KODU / PROFILE CODE	AKSESUAR KODU / ACCESSORY CODE	PROFİL KODU / PROFILE CODE	AKSESUAR KODU / ACCESSORY CODE	
R50T05	A010010	R50C06	05.02.05		97,8 mm
R50T25	A020145	R50C06	05.02.08		97,6 mm

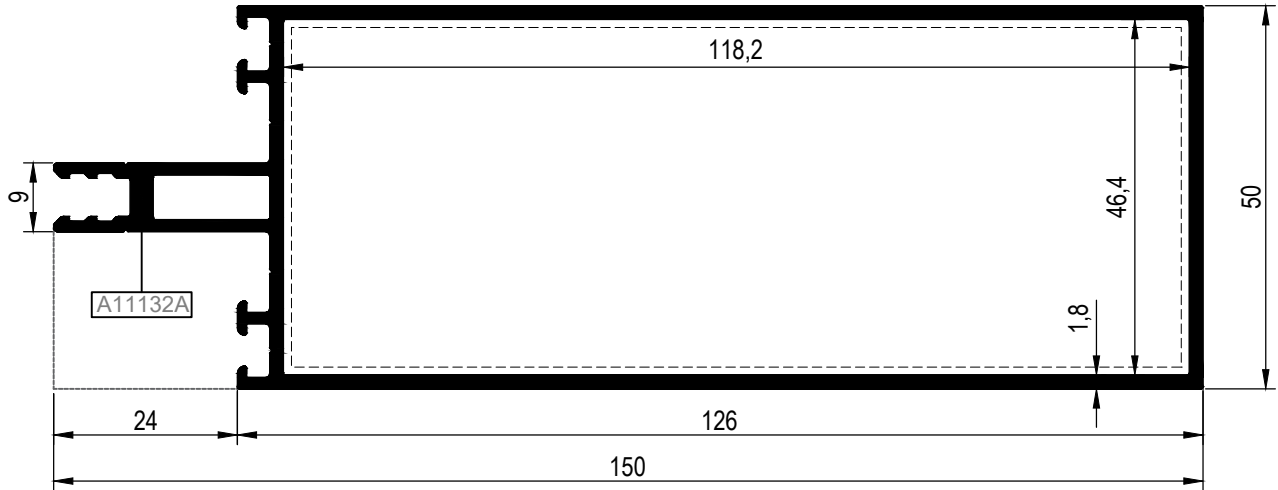
Nr	DÜŞEY BAĞLANTI PROFİLİ		MULLION CONNECTION PROFILE		KESİM ÖLÇÜSÜ CUTTING SIZE
	PROFİL KODU / PROFILE CODE	AKSESUAR KODU / ACCESSORY CODE	PROFİL KODU / PROFILE CODE	AKSESUAR KODU / ACCESSORY CODE	
R50T05	A010010	R50C16	06.01.14A (A011043) 06.01.14B (A011044)		97,7 mm
R50T25	A020145	R50C16	06.01.36A (A011043) 06.01.36B (A011044)		97,5 mm

KOD / CODE	AĞIRLIK (kg/m) / WEIGHT	Jxx cm4	Jyy cm4	Wx cm3	Wy cm3	L m	
R50T06	2,267	217,04	31,376	26,244	12,547	6	
R50T14	2,031	176,607	29,982	23,498	11,993	6	

R50T06

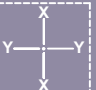


R50T14

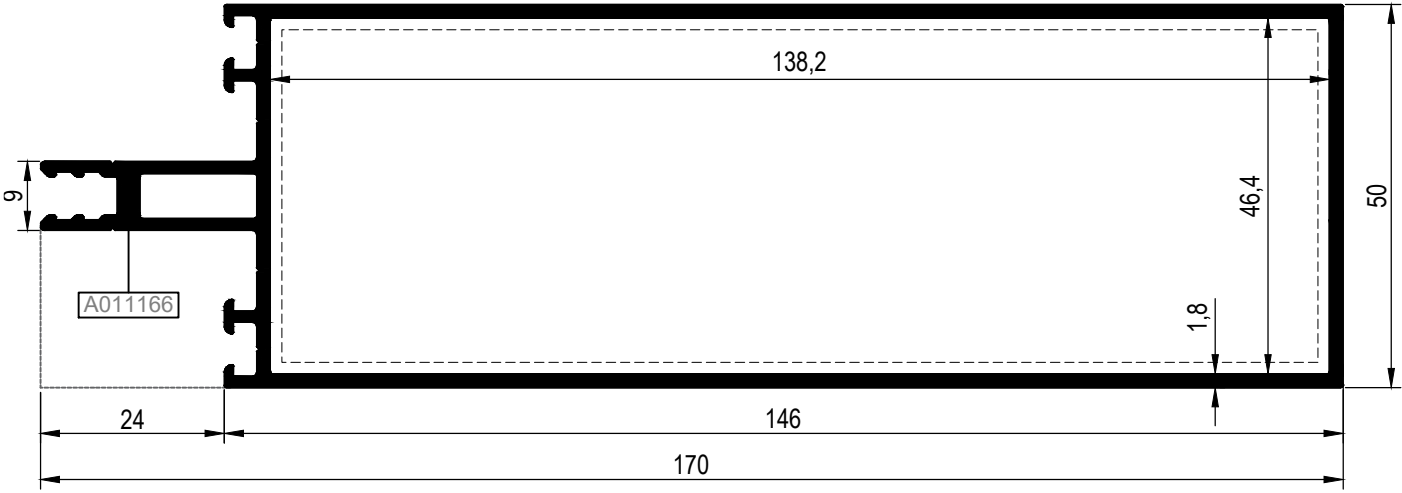


Nr	YATAY BAĞLANTI PROFİLİ		TRANSOM CONNECTION PROFILE		KESİM ÖLÇÜSÜ CUTTING SIZE
	PROFİL KODU / PROFILE CODE	AKSESUAR KODU / ACCESSORY CODE	AKSESUAR KODU / ACCESSORY CODE	AKSESUAR KODU / ACCESSORY CODE	
R50T06	A010011	R50C06	05.02.06		115,8 mm
R50T14	A11132A	R50C06	05.02.10		117,7 mm

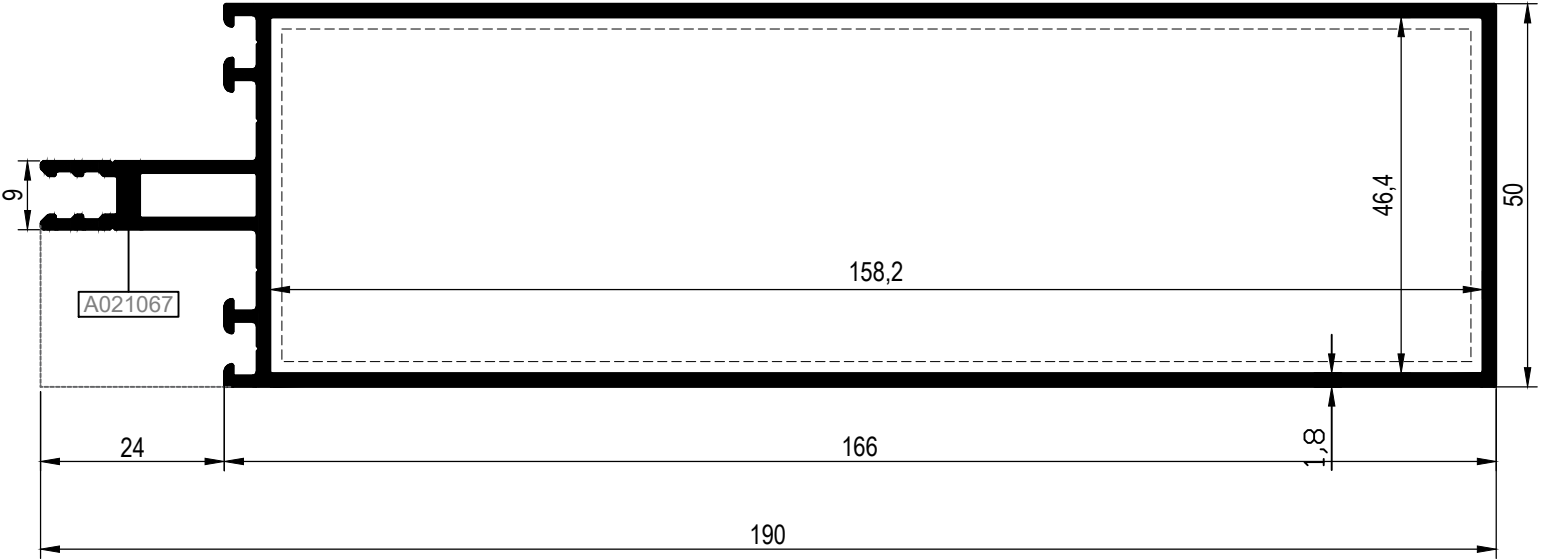
Nr	DÜŞEY BAĞLANTI PROFİLİ		MULLION CONNECTION PROFILE		KESİM ÖLÇÜSÜ CUTTING SIZE
	PROFİL KODU / PROFILE CODE	AKSESUAR KODU / ACCESSORY CODE	AKSESUAR KODU / ACCESSORY CODE	AKSESUAR KODU / ACCESSORY CODE	
R50T06	A010011	R50C16	06.01.15A (A011043) 06.01.15B (A011044)		115,7 mm
R50T14	A11132A	R50C16	06.01.35A (A011043) 06.01.35B (A011044)		117,7 mm

KOD / CODE	AĞIRLIK (kg/m) / WEIGHT	Jxx cm4	Jyy cm4	Wx cm3	Wy cm3	L m	
R50T17	2,227	249,355	34,169	29,207	13,667	6	
R50T26	2,422	338,495	38,352	35,62	15,32	6	

R50T17



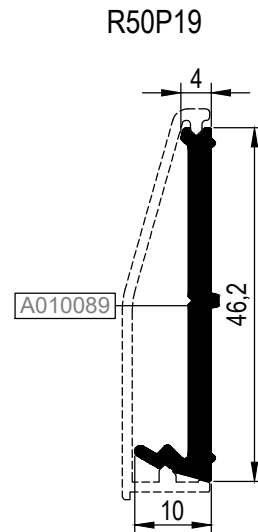
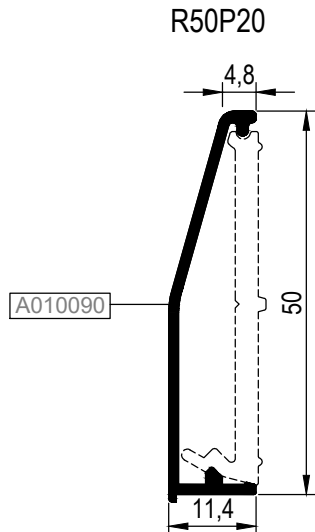
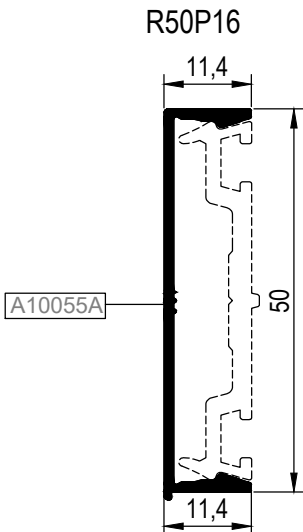
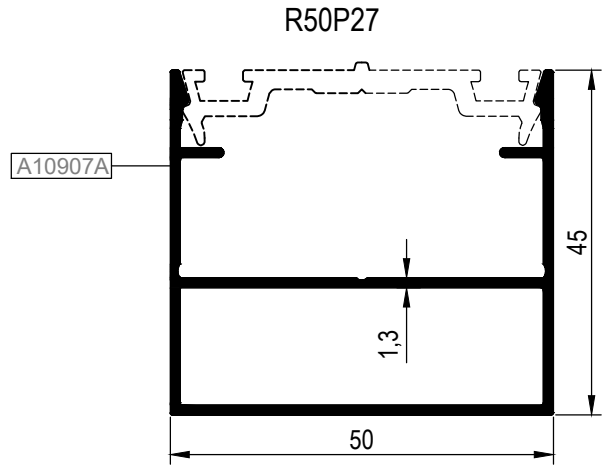
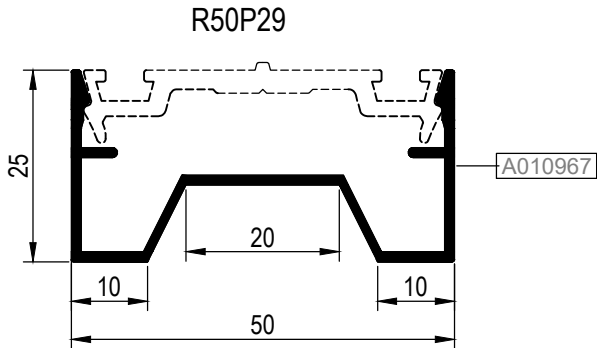
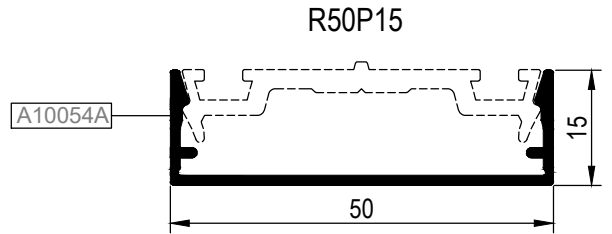
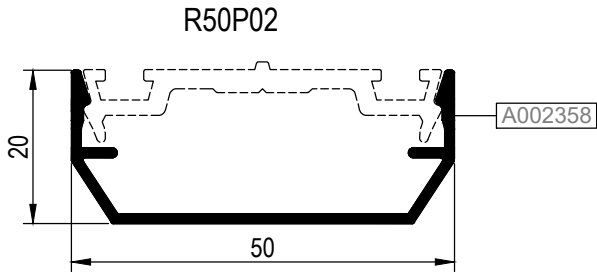
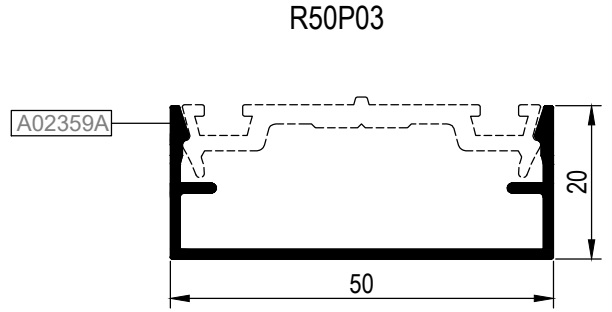
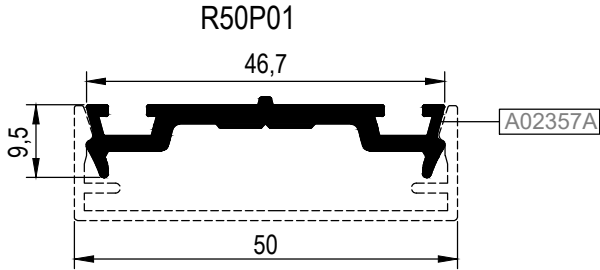
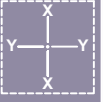
R50T26



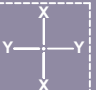
Nr	YATAY BAĞLANTI PROFİLİ		TRANSOM CONNECTION PROFILE		KESİM ÖLÇÜSÜ CUTTING SIZE
	PROFİL KODU / PROFILE CODE	AKSESUAR KODU / ACCESSORY CODE	AKSESUAR KODU / ACCESSORY CODE	AKSESUAR KODU / ACCESSORY CODE	
R50T17	A011166	R50C06	05.02.09		137,8 mm
R50T26	A021067	R50C06	05.02.22		157,8 mm

Nr	DÜŞEY BAĞLANTI PROFİLİ		MULLION CONNECTION PROFILE		KESİM ÖLÇÜSÜ CUTTING SIZE
	PROFİL KODU / PROFILE CODE	AKSESUAR KODU / ACCESSORY CODE	AKSESUAR KODU / ACCESSORY CODE	AKSESUAR KODU / ACCESSORY CODE	
R50T17	A011166	R50C16	06.01.18A (A011043) 06.01.18B (A011044)		137,7 mm
R50T26	A021067	R50C16	06.01.37A (A011043) 06.01.37B (A011044)		157,7 mm

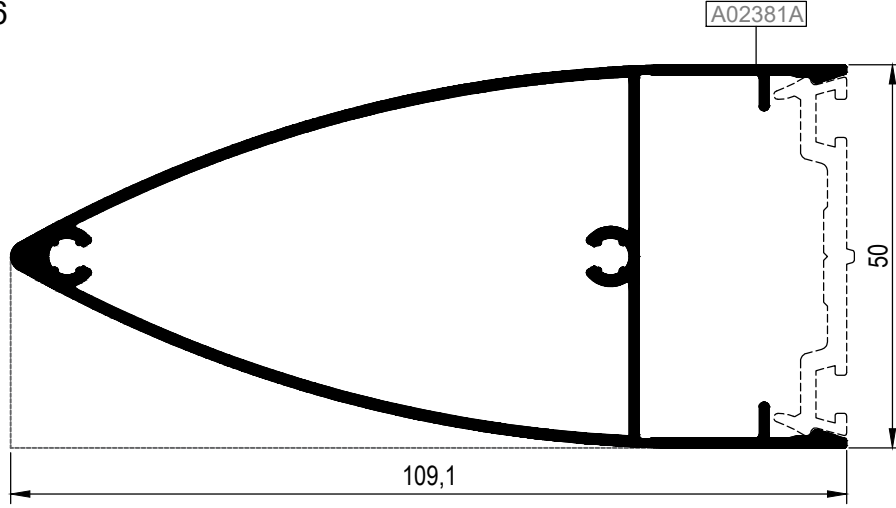
KOD / CODE	AĞIRLIK (kg/m) / WEIGHT	L m	KOD / CODE	AĞIRLIK (kg/m) / WEIGHT	L m
R50P01	0,428	6	R50P19	0,419	6
R50P02	0,335	6	R50P20	0,248	6
R50P03	0,360	6	R50P27	0,707	6
R50P15	0,305	6	R50P29	0,424	6
R50P16	0,268	6			



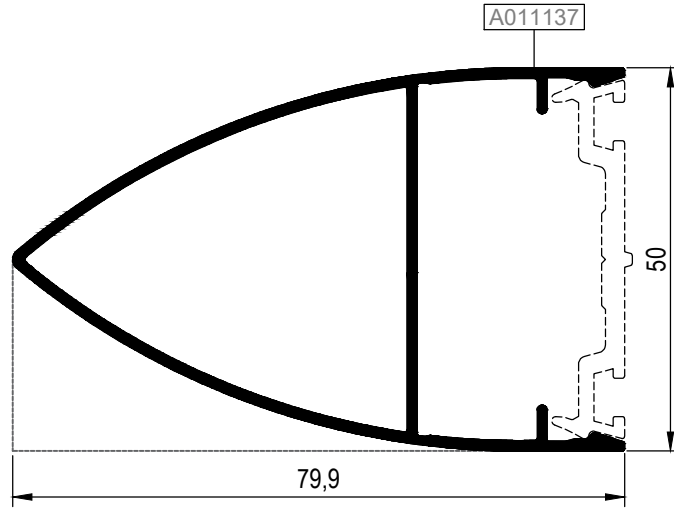
KOD / CODE	AĞIRLIK (kg/m) / WEIGHT	L m	KOD / CODE	AĞIRLIK (kg/m) / WEIGHT	L m
R50P06	1,179	6			
R50P32	0,850	6			
R50P38	1,365	6			



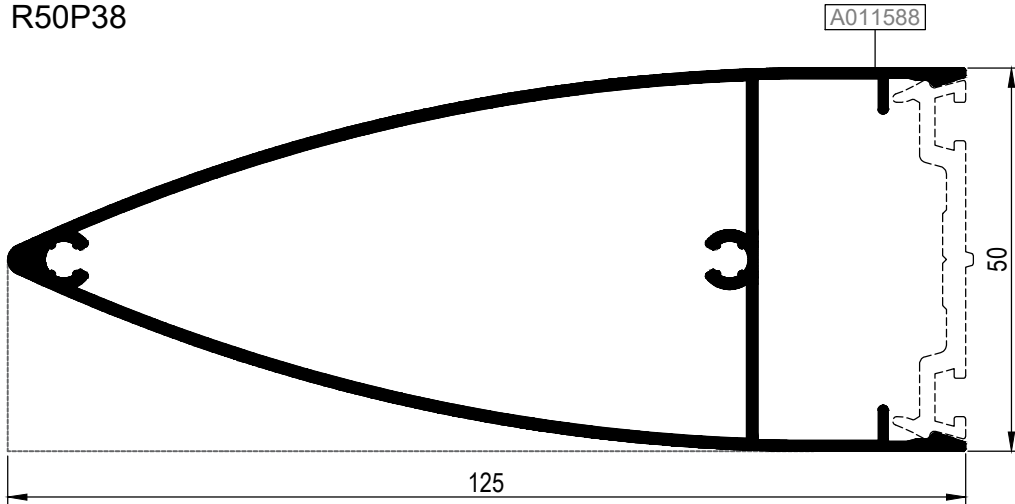
R50P06



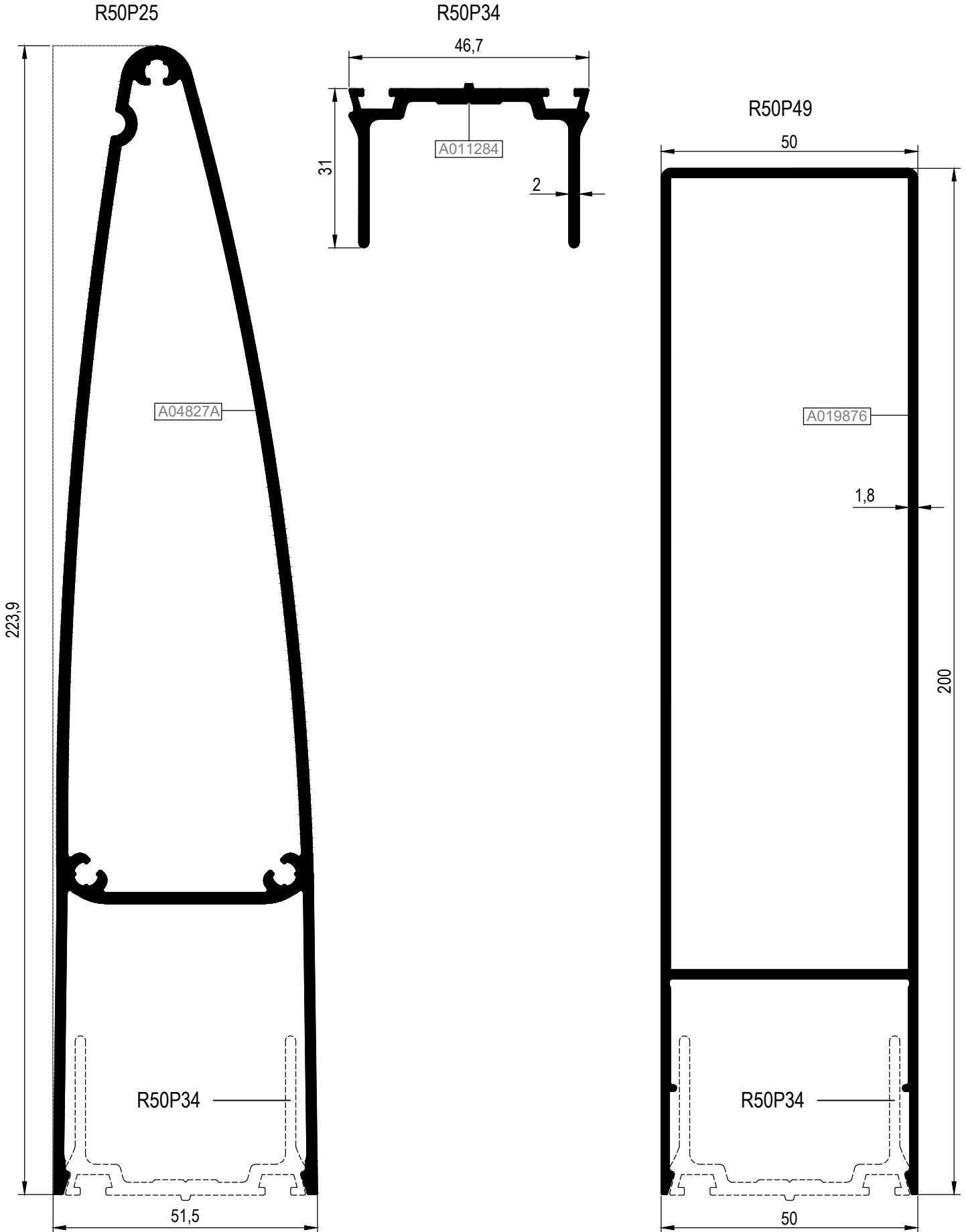
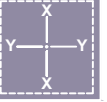
R50P32



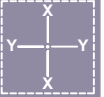
R50P38



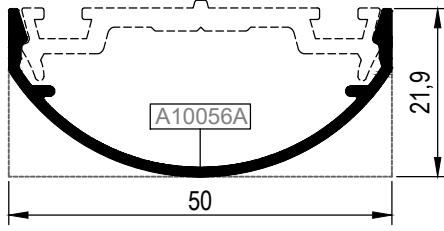
KOD / CODE	AĞIRLIK (kg/m) / WEIGHT	L m	KOD / CODE	AĞIRLIK (kg/m) / WEIGHT	L m
R50P34	0,686	6			
R50P25	3,126	6			
R50P49	2,392	6			



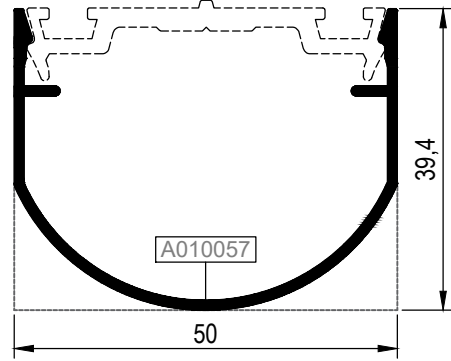
KOD / CODE	AĞIRLIK (kg/m) / WEIGHT	L m	KOD / CODE	AĞIRLIK (kg/m) / WEIGHT	L m
R50P17	0,286	6	R50P52	1,903	6
R50P18	0,428	6	----	----	6
R50P31	1,212	6	----	----	6



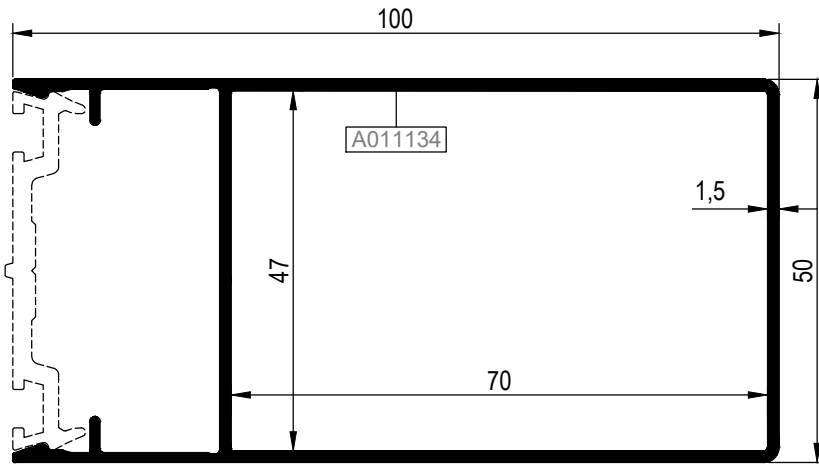
R50P17



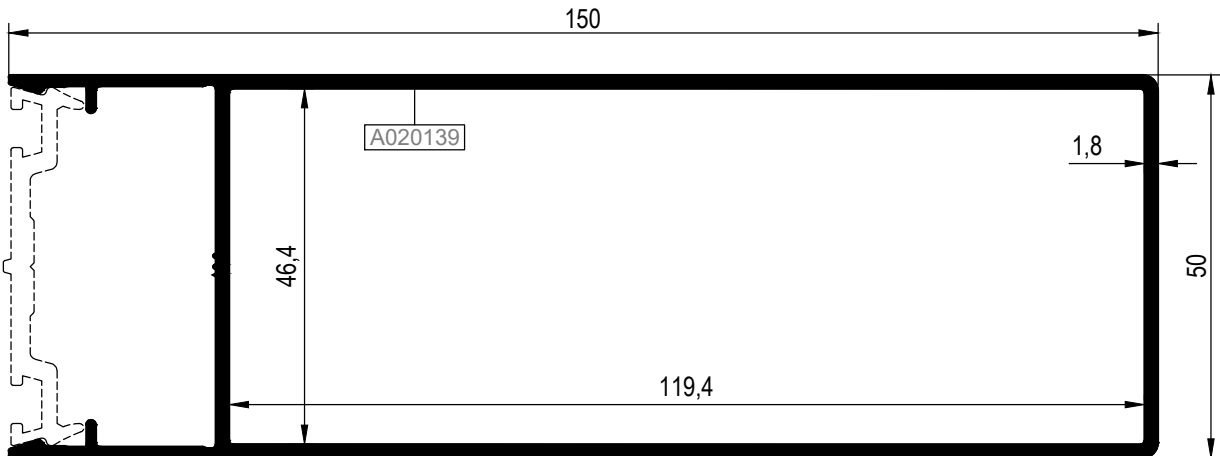
R50P18



R50P31

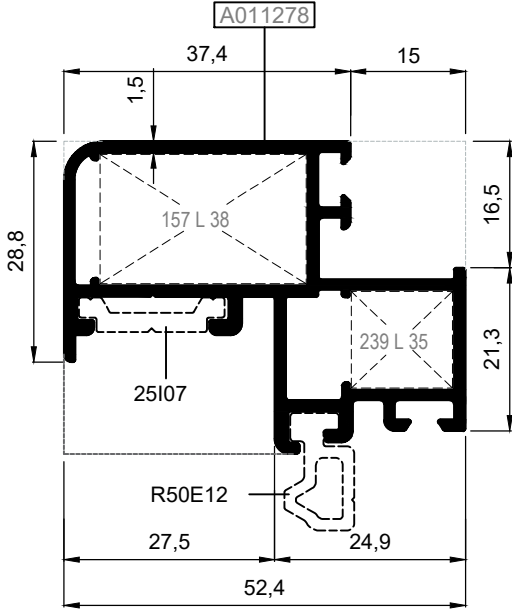


R50P52

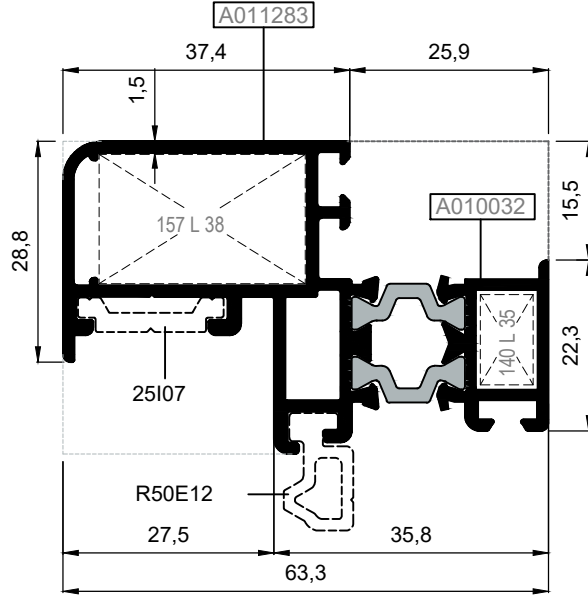


KOD / CODE	AĞIRLIK (kg/m) / WEIGHT	Jxx cm4	Jyy cm4	Wx cm3	Wy cm3	L m	
R50V26	0,927	8,680	4,852	----	----	6	
AR50V27	1,223	10,872	5,245	----	----	6	
AR50V32	0,949	8,182	1,419	----	----	6	

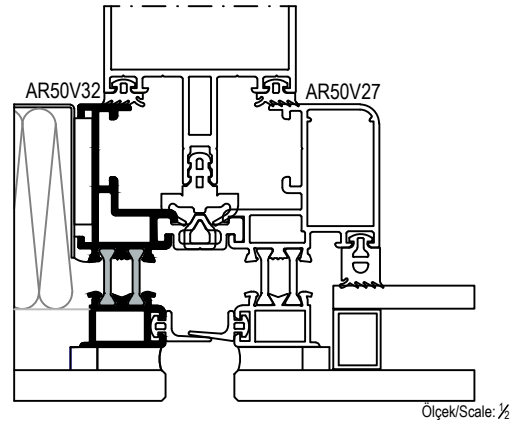
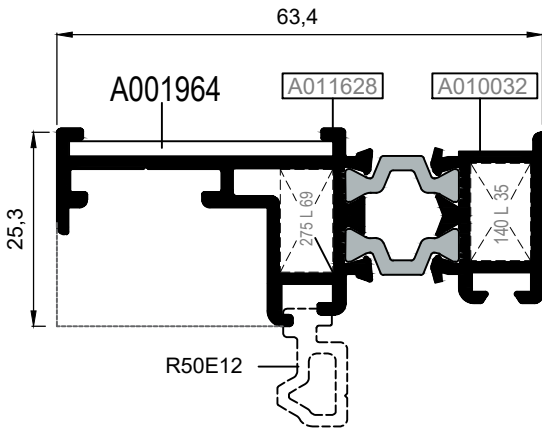
R50V26 *



AR50V27*



AR50V32*

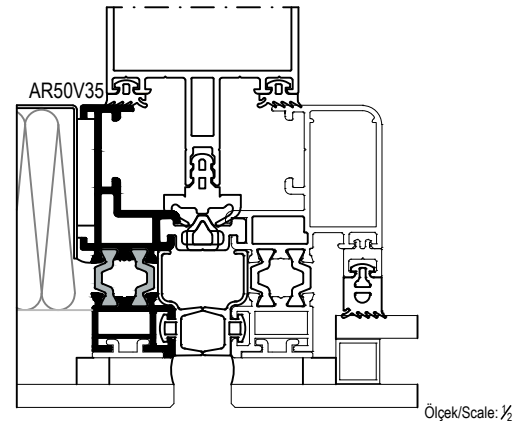
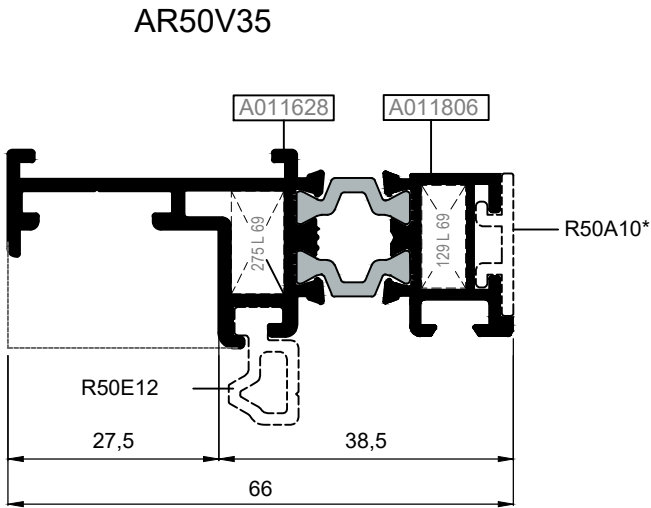
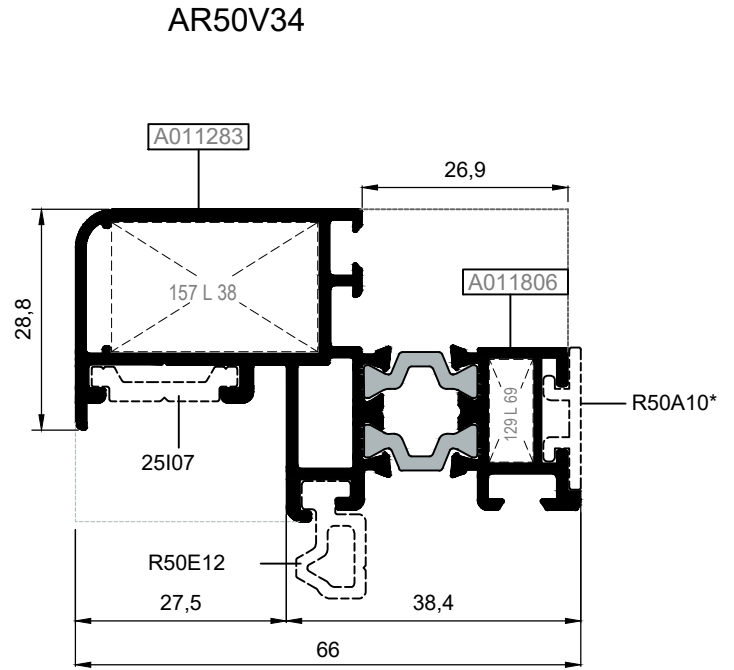
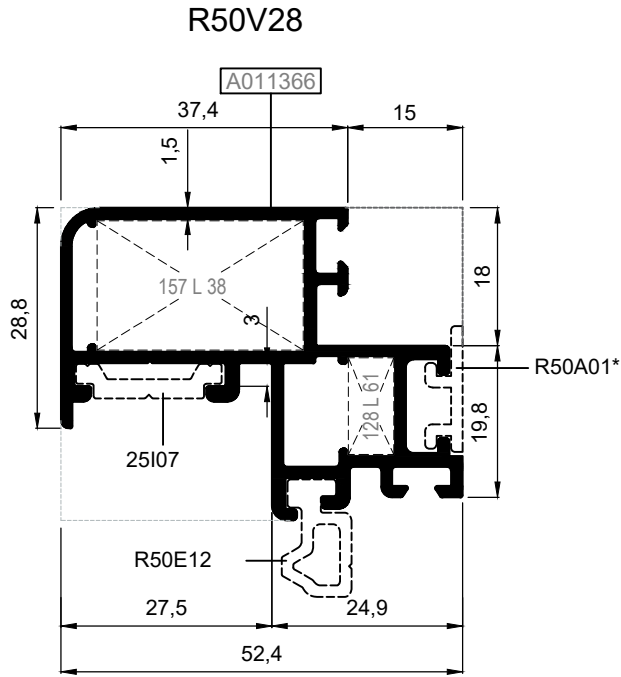


*R50V26-AR50V27- AR50V32 KODLU PROFİLLER BONDİNG İŞLEMİNE UYGUN ÖZEL ELOKSALLI SİPARİŞ EDİLMELİDİR.
TOZBOYALI KULLANIMLAR İÇİN BONDİNG İŞLEMİNİN TOZ BOYAYA UYGUN KOŞULLARDA YAPILABİLİRLİĞİ KONTROL EDİLMELİDİR.

*THE PROFILES R50V26-AR50V27-AR50V32 MUST BE ORDERED WITH SPECIAL ANODIZED SUITABLE FOR BONDING PROCESS.
THE FEASIBILITY OF THE BONDING PROCESS FOR POWDER COATING APPLICATIONS MUST BE VERIFIED UNDER CONDITIONS SUITABLE FOR POWDER COATING.

Nr	L m	KESİM ÖLÇÜSÜ CUTTING SIZE	AKS. KODU ACS. CODE
R50V26	A011278	25L38 (A002074)	157 L 38
		25L35 (A010076)	239 L 35
AR50V27	A011283	25L38 (A002074)	157 L 38
		A010032 25L35 (A010076)	140 L 35
AR50V32	A011628	25L69 (A011097)	275 L 69
		A010032 25L35 (A010076)	140 L 35

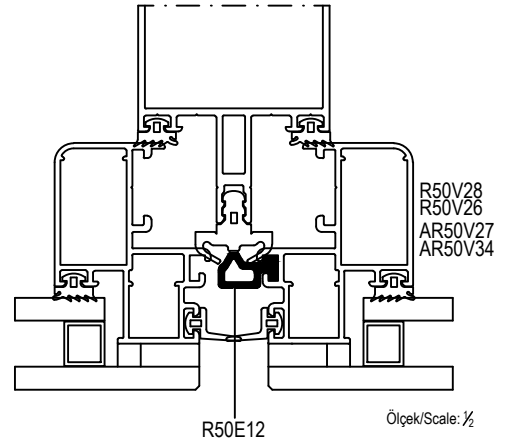
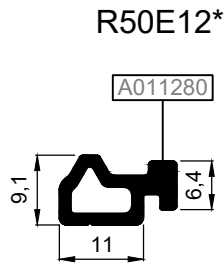
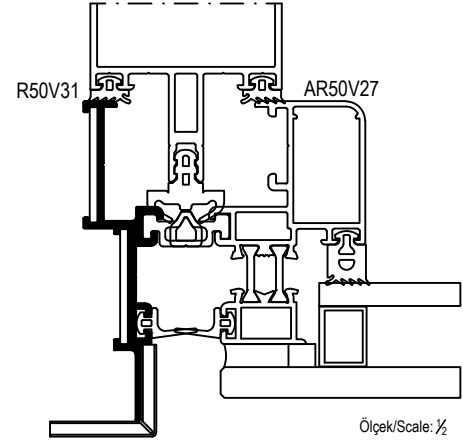
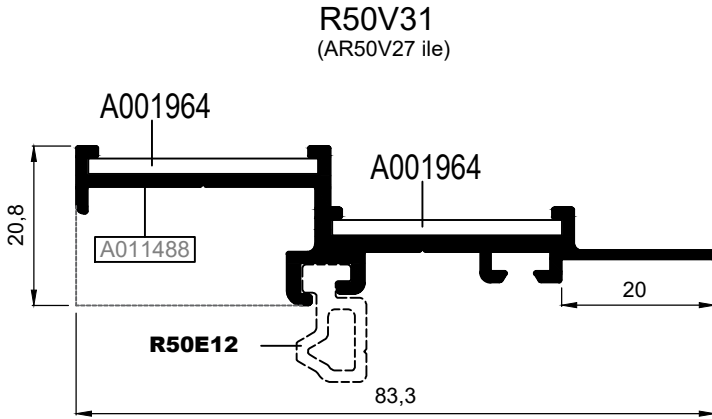
KOD / CODE	AĞIRLIK (kg/m) / WEIGHT	Jxx cm4	Jyy cm4	Wx cm3	Wy cm3	L m	
R50V28	0,940	8,277	4,915	----	----	6	
AR50V34	1,259	12,314	5,932	----	----	6	
AR50V35	0,985	5,870	1,065	----	----	6	



*R50A01-R50A10 KODLU PROFİLLER BONDING İŞLEMİNE UYGUN ÖZEL ELOKSALLI SİPARİŞ EDİLMELİDİR.
THE PROFILES R50A01-R50A10 MUST BE ORDERED WITH SPECIAL ANODIZED SUITABLE FOR BONDING PROCESS.

Nr	L m	KEŞİM ÖLÇÜSÜ CUTTING SIZE	AKS. KODU ACS. CODE	
R50V28	A011366	25L38 (A002074)	27,0 mm	157 L 38
		25L61 (A001034)	5,9 mm	128 L 61
AR50V34	A011283	25L38 (A002074)	27,0 mm	157 L 38
		A011806	25L69 (A011097)	5,7 mm
AR50V35	A011628	25L69 (A011097)	6,8 mm	275 L 69
		A011806	25L69 (A011097)	5,7 mm

KOD / CODE	AĞIRLIK (kg/m) / WEIGHT	Jxx cm4	Jyy cm4	Wx cm3	Wy cm3	L m	
R50V31	0,641	10,176	0,584	----	----	6	
R50E12	0,189	----	----	----	----	6	

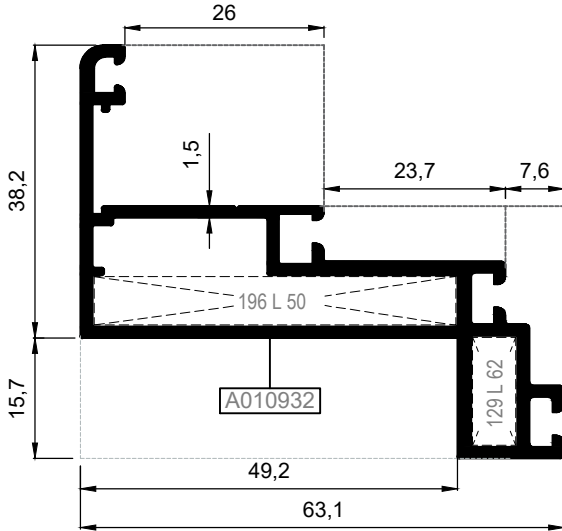


*R50E12 MAX. 20 CM.'DE BİR 5 CM'LİK PARÇALAR HALİNDE KULLANILMALIDIR.
THE PROFILE R50E12 SHOULD BE USED 5 CM LENGTH IN EVERY 20 CM DISTANCE.

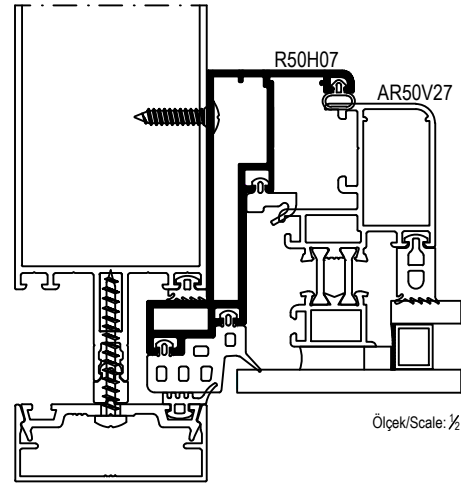
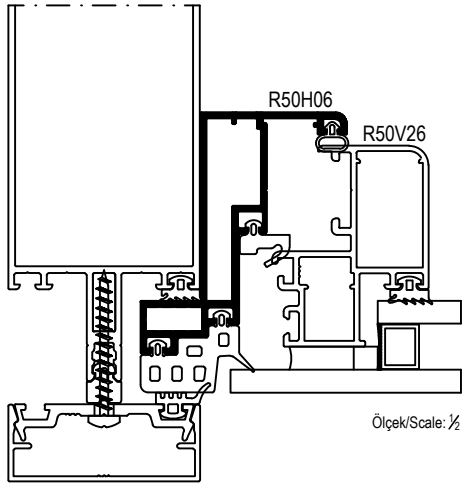
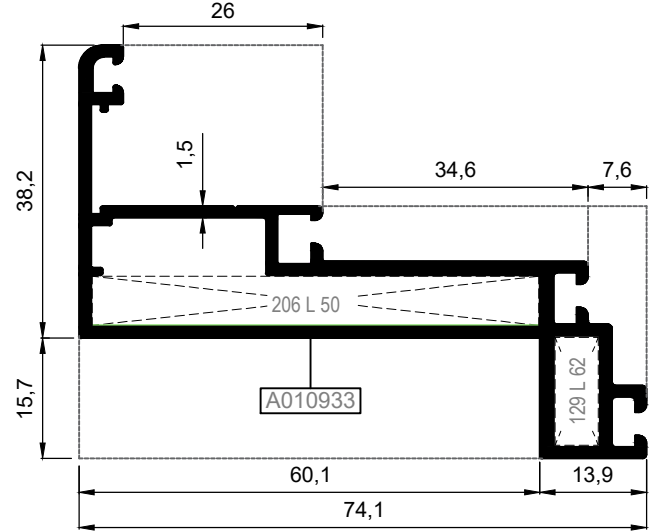
Nr		KEŞİM ÖLÇÜSÜ CUTTING SIZE	AKS. KODU ACS. CODE
R50V31	A001964 (40x40x2 L)	30,0 mm	----
	A011488	30,0 mm	----

KOD / CODE	AĞIRLIK (kg/m) / WEIGHT	Jxx cm4	Jyy cm4	Wx cm3	Wy cm3	L m	
R50H06	1,012	17,114	5,870	----	----	6	
R50H07	1,110	26,073	5,939	----	----	6	

R50H06



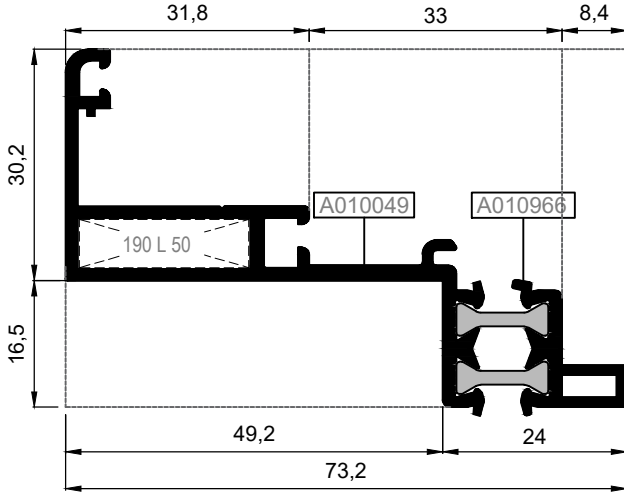
R50H07



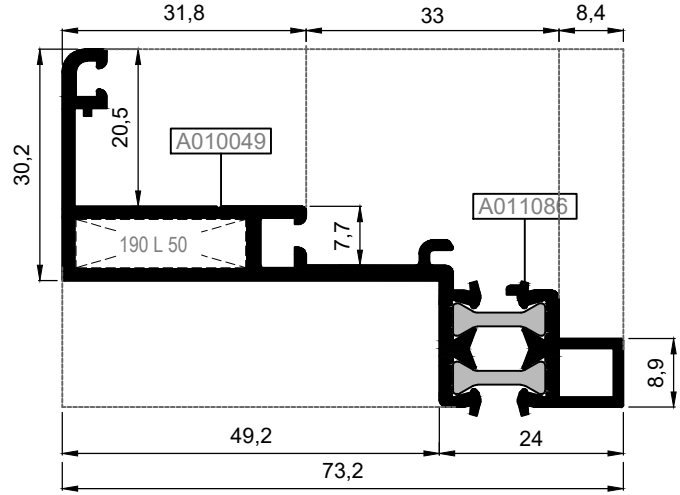
Nr	L m	KEŞİM ÖLÇÜSÜ CUTTING SIZE	AKS. KODU ACS. CODE	
R50H06	A010932	25L50 (A010838)	47,2 mm	196 L 50
		25L62 (A002442)	5,7 mm	129 L 62
R50H07	A010933	25L50 (A010838)	58,2 mm	206 L 50
		25L62 (A002442)	5,7 mm	129 L 62

KOD / CODE	AĞIRLIK (kg/m) / WEIGHT	Jxx cm ⁴	Jyy cm ⁴	Wx cm ³	Wy cm ³	L m	
AR50H09	1,024	14,837	4,391	----	----	6	
AR50H11	1,036	15,343	4,371	----	----	6	
AR50H15	1,008	14,374	4,065	----	----	6	

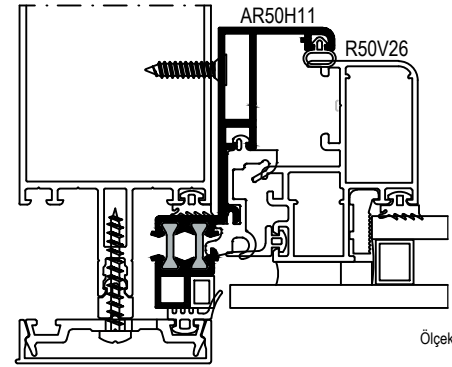
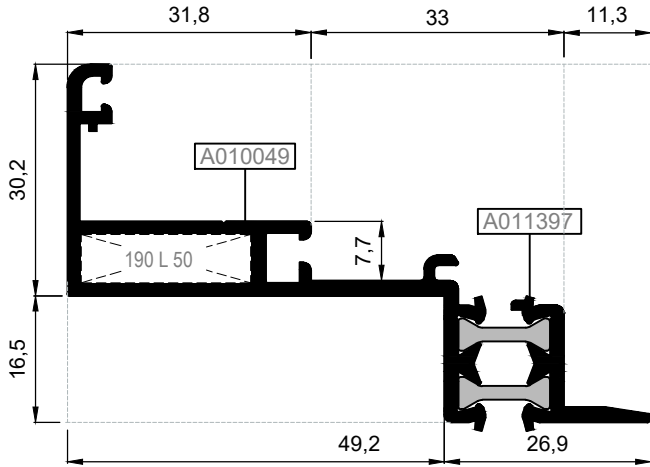
AR50H09



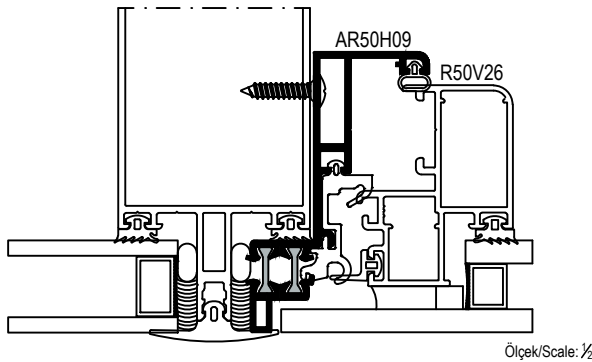
AR50H11



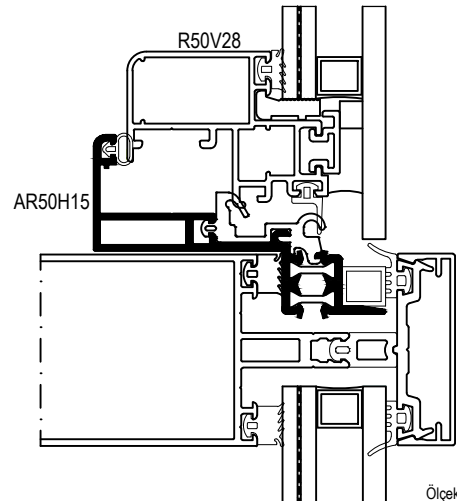
AR50H15




Ölçek/Scale: 1/2



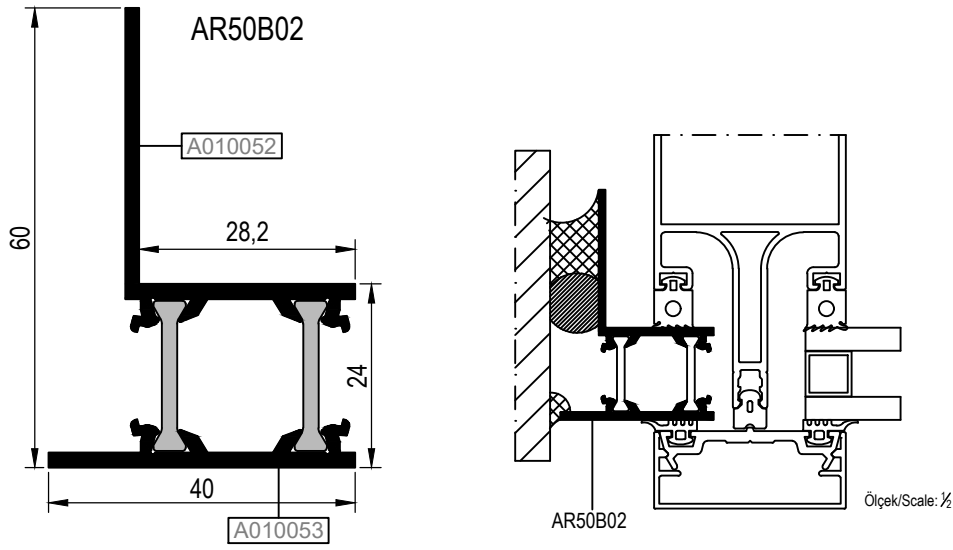
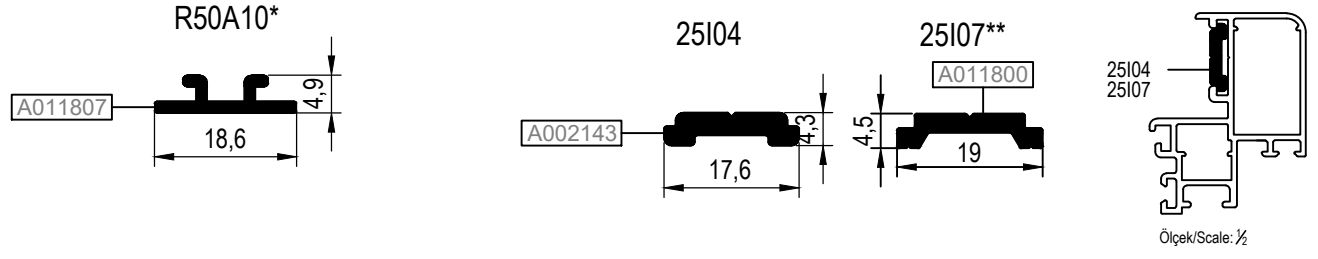
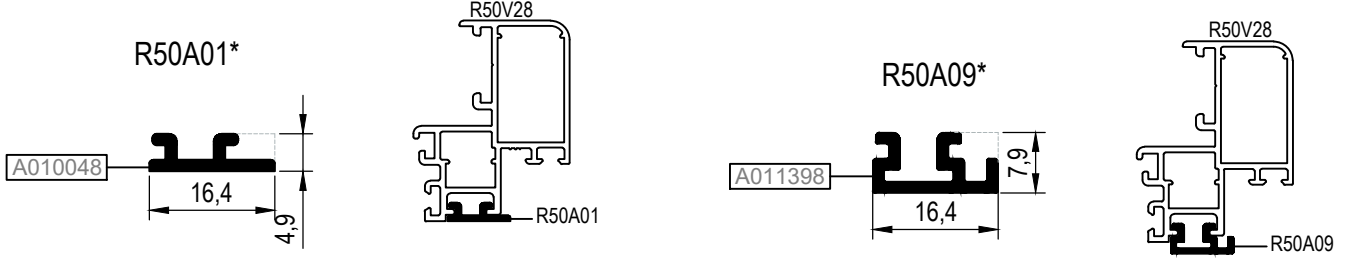
Ölçek/Scale: 1/2



Ölçek/Scale: 1/2

Nr	 L m	KESİM ÖLÇÜSÜ CUTTING SIZE	AKS. KODU ACS. CODE
AR50H09	A010049 25L50 (A010838)	22,2 mm	190 L 50
AR50H11	A010049 25L50 (A010838)	22,2 mm	190 L 50
AR50H15	A010049 25L50 (A010838)	22,2 mm	190 L 50

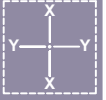
KOD / CODE	AĞIRLIK (kg/m) / WEIGHT	L m	KOD / CODE	AĞIRLIK (kg/m) / WEIGHT	L m
R50A01	0,105	6	25I04	0,153	6
R50A09	0,160	6	25I07	0,143	6
R50A10	0,116	6			
AR50B02	0,824	6			



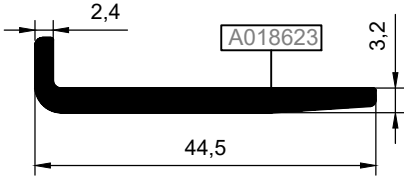
*R50A01-R50A09-R50A10 KODLU PROFİLLER BONDİNG İŞLEMİNE UYGUN ÖZEL ELOKSALLI SİPARİŞ EDİLMELİDİR.
THE PROFILES R50A01-R50A09-R50A10 MUST BE ORDERED WITH SPECIAL ANODIZED SUITABLE FOR BONDING PROCESS.

**GİESSE KOL VE KİLİTLEME AKSESUARLARI SADECE 25I07 TİJ PROFİLİ İLE KULLANILMALIDIR.
GİESSE HANDLE AND LOCKING ACCESSORIES SHOULD BE USED WITH ONLY 25I07 ROD PROFILE.

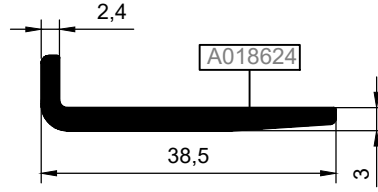
KOD / CODE	AĞIRLIK (kg/m) / WEIGHT	L m	KOD / CODE	AĞIRLIK (kg/m) / WEIGHT	L m
E50S10	0,405	6	R50S06	0,457	6
E50S11	0,333	6			
R50S01	0,207	6			
R50S04	0,481	6			
R50S05	0,252	6			



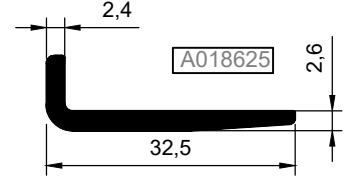
E50S10



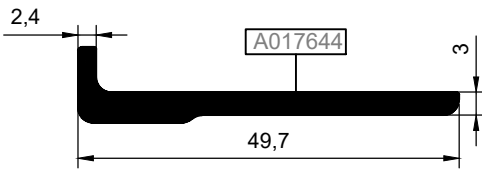
E50S11



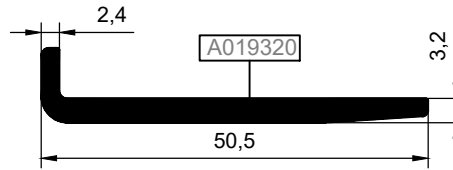
R50S05



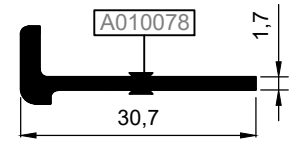
R50S04



R50S06

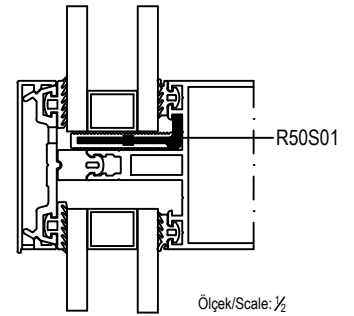


R50S01

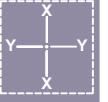


CAM ÜNİTESİ TOPLAM KALINLIK TOTAL GLASS THICKNESS	CAM TAKOZU GLASS SUPPORT	MAKS. CAM AĞIRLIĞI MAX. GLASS WEIGHT
22-26 mm	R50S05	350 kg
28-32 mm	E50S11	335 kg
34-40 mm	E50S10	320 kg

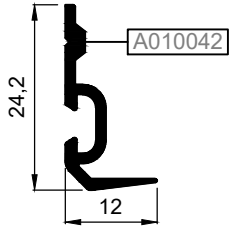
*FARKLI CAM AĞIRLIKLARI İÇİN LÜTFEN TEKNİK OFİS İLE İLETİŞİME GEÇİNİZ.
PLEASE CONTACT THE TECHNICAL OFFICE FOR DIFFERENT GLASS WEIGHTS.



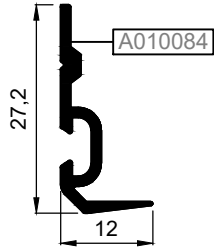
KOD / CODE	AĞIRLIK (kg/m) / WEIGHT	L m	KOD / CODE	AĞIRLIK (kg/m) / WEIGHT	L m
R50R01	0,158	6	R50R15	0,144	6
R50R02	0,169	6	R50G01	0,219	6
R50R03	0,111	6	R50G02	0,249	6
R50R04	0,181	6	R50G03	0,280	6
R50R05	0,166	6	R50G04	0,310	6
R50R06	0,154	6	R50G05	0,340	6
R50R11	0,107	6	R50G06	0,136	6



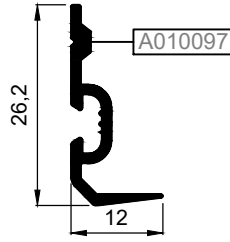
R50R01



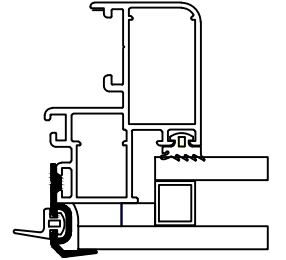
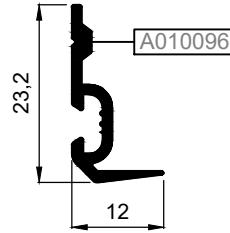
R50R02



R50R05



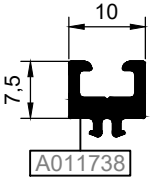
R50R06



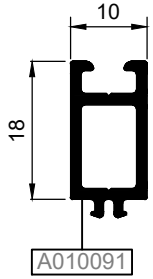
R50R01
R50R02
R50R05
R50R06

Ölçek/Scale: 1/2

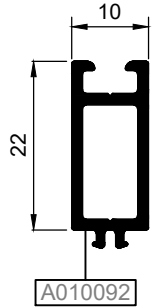
R50G06



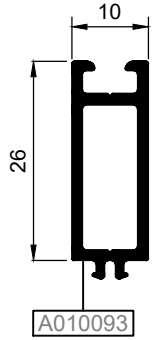
R50G01



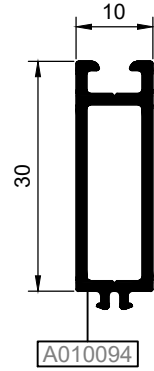
R50G02



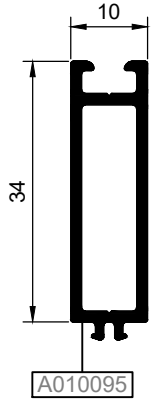
R50G03



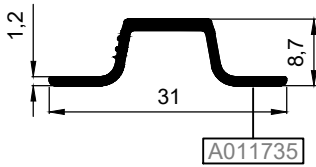
R50G04



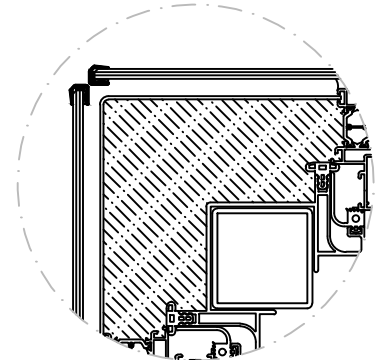
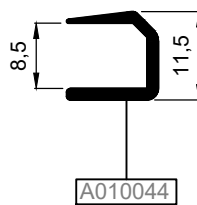
R50G05



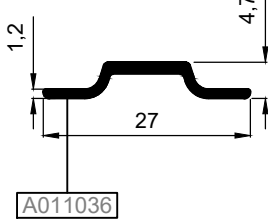
R50R15



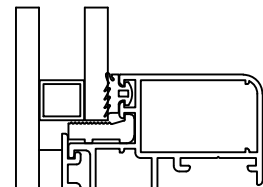
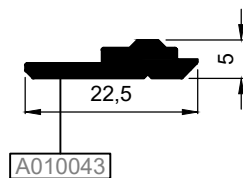
R50R03



R50R11



R50R04

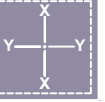


Norton Band
(Nortfix-V1500)

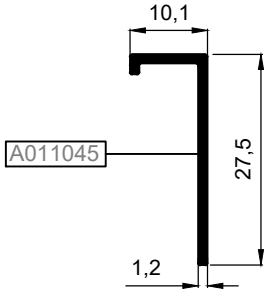
R50R04

Ölçek/Scale: 1/2

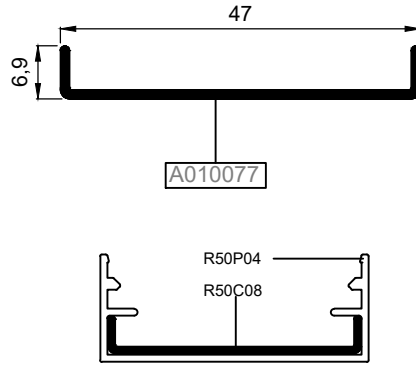
KOD / CODE	AĞIRLIK (kg/m) / WEIGHT	L m	KOD / CODE	AĞIRLIK (kg/m) / WEIGHT	L m
R50C17	0,133	6	R50C06	2,033	6
R50C08	0,187	6	R50C10	1,715	6
R50C16	7,104	6			



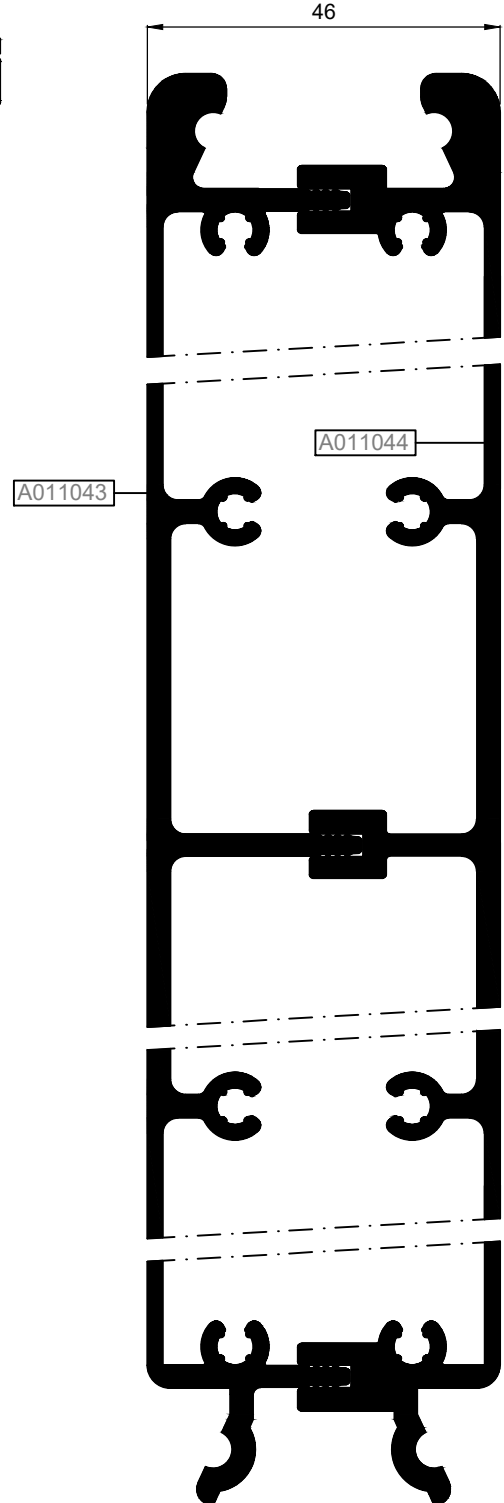
R50C17



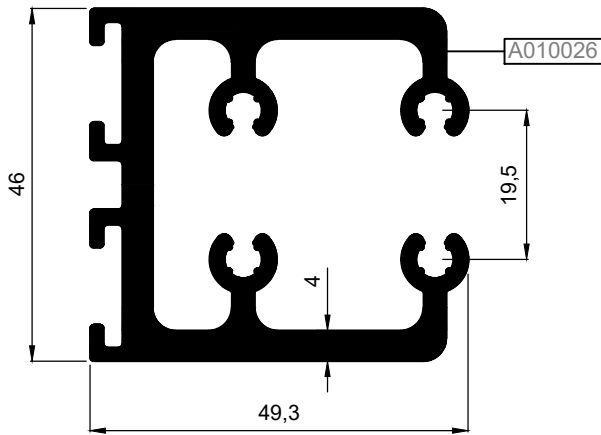
R50C08



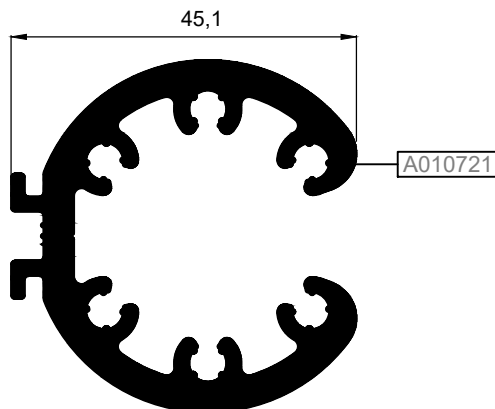
R50C16



R50C06



R50C10



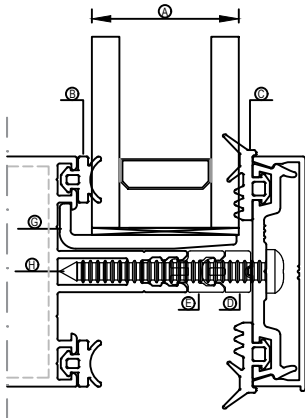
MİMARİ KATALOG
ARCHITECTURAL CATALOGUE

Alüminyum Sürme Sistemleri
Aluminium Sliding Systems

RT50

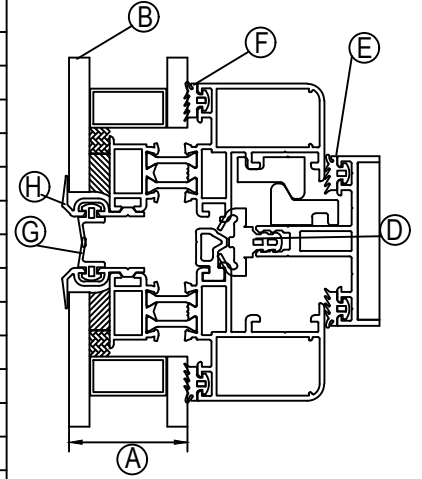
CAM TABLOLARI VE BAĞLANTI DETAYLARI
GLASS TABLES AND CONNECTION DETAILS

A	B	C	D	E	G	H
CAM GLASS	İÇ CAM FİTİLİ GLASS GASKET	DIŞ CAM FİTİLİ GLASS GASKET	ORTA FİTİL CENTRAL GASKET	PVC PROFİL PVC PROFILE	CAM TAKOZU SUPPORTER	VIDA SCREW
18 mm.	01.03.21	01.11.12	01.05.01	-	R50S05	4.8X38 YSB
19 mm.	01.03.22	01.11.12	01.05.01	-	R50S05	4.8X38 YSB
20 mm.	01.03.23	01.11.12	01.05.01	-	R50S05	4.8X38 YSB
21 mm.	01.03.24	01.11.12	01.05.01	-	R50S05	4.8X38 YSB
22 mm.	01.03.25	01.11.12	01.05.01	-	R50S05	4.8X38 YSB
23 mm.	01.03.26	01.11.12	01.05.01	-	R50S05	4.8X38 YSB
24 mm.	01.03.27	01.11.12	01.05.01	-	R50S05	4.8X38 YSB
25 mm.	01.03.27	01.11.12	01.05.02	-	R50S05	4.8X38 YSB
26 mm.	01.03.27	01.11.12	01.05.03	-	R50S05	4.8X38 YSB
27 mm.	01.03.27	01.11.12	01.05.04	-	R50S05	4.8X38 YSB
28 mm.	01.03.27	01.11.12	01.05.05	-	R50S05	4.8X38 YSB
29 mm.	01.03.27	01.11.12	01.05.06	-	R50S05	4.8X38 YSB
30 mm.	01.03.26	01.11.12	01.05.01	02.01.01	E50S11	4.8X45 YSB
31 mm.	01.03.27	01.11.12	01.05.01	02.01.01	E50S11	4.8X45 YSB
32 mm.	01.03.27	01.11.12	01.05.02	02.01.01	E50S11	4.8X45 YSB
33 mm.	01.03.27	01.11.12	01.05.03	02.01.01	E50S11	4.8X45 YSB
34 mm.	01.03.27	01.11.12	01.05.04	02.01.01	E50S11	4.8X45 YSB
35 mm.	01.03.27	01.11.12	01.05.05	02.01.01	E50S11	4.8X45 YSB
36 mm.	01.03.27	01.11.12	01.05.06	02.01.01	E50S10	4.8X45 YSB
37 mm.	01.03.27	01.11.12	01.05.02	02.01.08	E50S10	4.8X45 YSB
38 mm.	01.03.27	01.11.12	01.05.03	02.01.08	E50S10	4.8X45 YSB
39 mm.	01.03.27	01.11.12	01.05.04	02.01.08	E50S10	4.8X45 YSB
40 mm.	01.03.27	01.11.12	01.05.05	02.01.08	E50S10	4.8X45 YSB



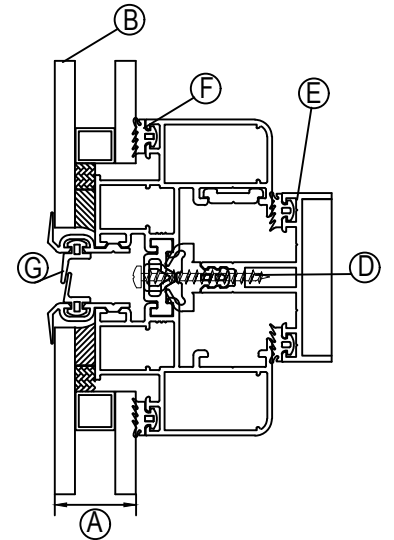
KULLANILAN PROFİL: R50V27

A	F (İÇ CAM FİTİLİ)			D	E	G
	B , DIŞ CAM KALINLIĞI GLASS THICKNESS (OUT)					
CAM GLASS	5 mm. R50 R 06	6 mm. R50 R 01	8 mm. R50 R 05	ORTA FİTİL CENTRAL GASKET	CAM FİTİLİ GLASS GASKET	TIRNAK FİTİLİ GASKET
21 mm.	01.02.21	—	—	01.07.01	01.03.27	01.08.03
22 mm.	01.02.22	01.02.21	—	01.07.01	01.03.27	01.08.03
23 mm.	01.02.23	01.02.22	—	01.07.01	01.03.27	01.08.03
24 mm.	—	01.02.23	01.02.21	01.07.01	01.03.27	01.08.03
25 mm.	01.02.25	—	01.02.22	01.07.01	01.03.27	01.08.03
26 mm.	01.02.26	01.02.25	01.02.23	01.07.01	01.03.27	01.08.03
27 mm.	01.02.27	01.02.26	—	01.07.01	01.03.27	01.08.03
28 mm.	—	01.02.27	01.02.25	01.07.01	01.03.27	01.08.03
29 mm.	01.03.22	—	01.02.26	01.07.01	01.03.27	01.08.03
30 mm.	01.03.23	01.03.22	01.02.27	01.07.01	01.03.27	01.08.03
31 mm.	01.03.24	01.03.23	—	01.07.01	01.03.27	01.08.03
32 mm.	—	01.03.24	01.03.22	01.07.01	01.03.27	01.08.03
33 mm.	01.03.26	01.03.25	01.03.23	01.07.01	01.03.27	01.08.03
34 mm.	01.03.27	01.03.26	01.03.24	01.07.01	01.03.27	01.08.03
35 mm.	—	01.03.27	—	01.07.01	01.03.27	01.08.03
36 mm.	—	—	01.03.26	01.07.01	01.03.27	01.08.03
37 mm.	—	—	01.03.27	01.07.01	01.03.27	01.08.03



KULLANILAN PROFİLLER: R50V26 - R50V28

A	F (İÇ CAM FİTİLİ)			D	E	G
	B , DIŞ CAM KALINLIĞI GLASS THICKNESS (OUT)					
CAM GLASS	5 mm. R50 R 06	6 mm. R50 R 01	8 mm. R50 R 05	ORTA FİTİL CENTRAL GASKET	CAM FİTİLİ GLASS GASKET	TIRNAK FİTİLİ GASKET
18 mm.	01.03.22	01.03.21	01.02.26	01.07.01	01.03.27	01.08.03
19 mm.	01.03.23	01.03.22	01.02.27	01.07.01	01.03.27	01.08.03
20 mm.	01.03.24	01.03.23	01.03.21	01.07.01	01.03.27	01.08.03
21 mm.	01.03.25	01.03.24	01.03.22	01.07.01	01.03.27	01.08.03
22 mm.	01.03.26	01.03.25	01.03.23	01.07.01	01.03.27	01.08.03
23 mm.	01.03.27	01.03.26	01.03.24	01.07.01	01.03.27	01.08.03
24 mm.	—	01.03.27	01.03.25	01.07.01	01.03.27	01.08.03
25 mm.	—	—	01.03.26	01.07.01	01.03.27	01.08.03
26 mm.	—	—	01.03.27	01.07.01	01.03.27	01.08.03




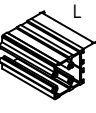
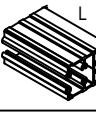
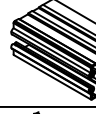






PROFİL KODU (PROFILE CODE)	25L15	25L35	25L38	25L50
FABRİKA KODU (FACTORY CODE)	A002060	A010076	A002074	A010838
AĞIRLIK (WEIGHT)	5,167 kg/m	4,192 kg/m	4,854 kg/m	1,748 kg/m
ÇİZİM (DRAWING)				

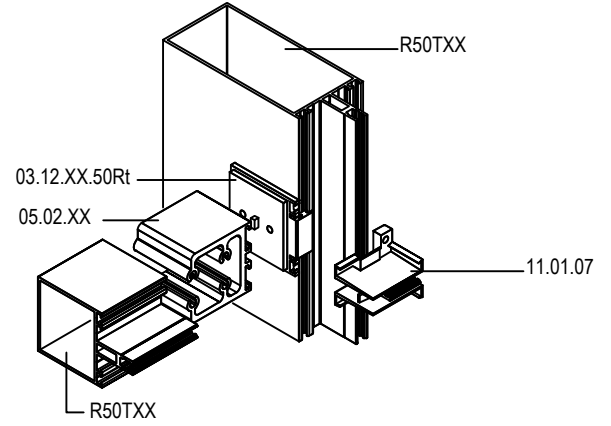
PROFİL KODU (PROFILE CODE)	25L61	25L62	25L69	
FABRİKA KODU (FACTORY CODE)	A001034	A002442	A011097	
AĞIRLIK (WEIGHT)	3,759 kg/m	4,249 kg/m	3,824 kg/m	
ÇİZİM (DRAWING)				

Nr			KESİM ÖLÇÜSÜ CUTTING SIZE	
R50V22	A011088	25L15 (A002060)	45,9 mm	204 L 15
		25L61 (A001034)	5,9 mm	128 L 61
R50V26	A011278	25L38 (A002074)	27,0 mm	157 L 38
		25L35 (A010076)	13,8 mm	239 L 35
AR50V27	A011283	25L38 (A002074)	27,0 mm	157 L 38
	A010032	25L35 (A010076)	7,8 mm	140 L 35
R50V28	A011366	25L38 (A002074)	27,0 mm	157 L 38
		25L61 (A001034)	5,9 mm	128 L 61
AR50V32	A011628	25L69 (A011097)	6,8 mm	275 L 69
	A010032	25L35 (A010076)	7,8 mm	140 L 35
AR50V34	A011283	25L38 (A002074)	27,0 mm	157 L 38
	A011806	25L69 (A011097)	5,7 mm	129 L 69
AR50V35	A011628	25L69 (A011097)	6,8 mm	275 L 69
	A011806	25L69 (A011097)	5,7 mm	129 L 69
R50H06	A010932	25L50 (A010838)	47,2 mm	196 L 50
		25L62 (A002442)	5,7 mm	129 L 62
R50H07	A010933	25L50 (A010838)	58,2 mm	206 L 50
		25L62 (A002442)	5,7 mm	129 L 62
R50H09	A010049	25L50 (A010838)	22,2 mm	190 L 50
R50H11	A010049	25L50 (A010838)	22,2 mm	190 L 50
R50H12	A011087	25L50 (A010838)	66,2 mm	220 L 50
		25L62 (A002442)	5,7 mm	129 L 62

R50C06 İÇİN U BAĞLANTI AKSESUARLARI


U CONNECTIONS FOR R50C06

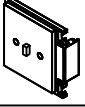
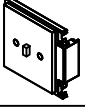
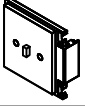
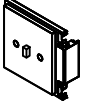
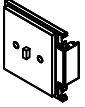
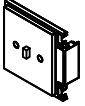
ÇİZİM DRAWING	AKSESUAR KODU ACCESSORY CODE	PROFİL PROFILE	KESİM ÖLÇÜSÜ CUTTING SIZE
	05.02.01	R50T01	L=20,7 mm
	05.02.02	R50T02 R50T13	L=41,9 mm
	05.02.03	R50T03	L=51,9 mm
	05.02.04	R50T04 R50T18	L=77,8 mm
	05.02.05	R50T05	L=97,8 mm
	05.02.06	R50T06	L=115,8 mm
	05.02.08	R50T25	L=97,6 mm
	05.02.09	R50T17	L=137,8 mm
	05.02.10	R50T14	L=117,7 mm
	05.02.22	R50T26	L=157,8 mm

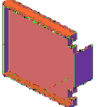
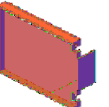
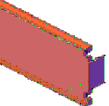
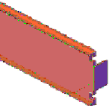
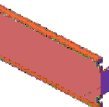


R50 C 24 İÇİN U BAĞLANTI AKSESUARLARI

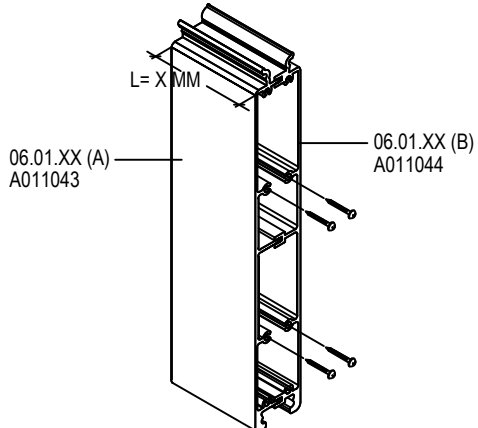
U CONNECTIONS FOR R50 C 24

ÇİZİM DRAWING	AKSESUAR KODU ACCESSORY CODE	PROFİL PROFILE	KESİM ÖLÇÜSÜ CUTTING SIZE
 <p>R50 C 24 A011937 55,1</p>	05.10.01	R50T01	L=20,7 mm
	05.10.02	R50T02 R50T13	L=41,9 mm
	05.10.03	R50T03	L=51,9 mm
	05.10.04	R50T04 R50T18	L=77,8 mm
	05.10.05	R50T05	L=97,8 mm
	05.10.06	R50T06	L=115,8 mm
	05.10.09	R50T17	L=137,8 mm
	05.10.10	R50T14	L=117,7 mm

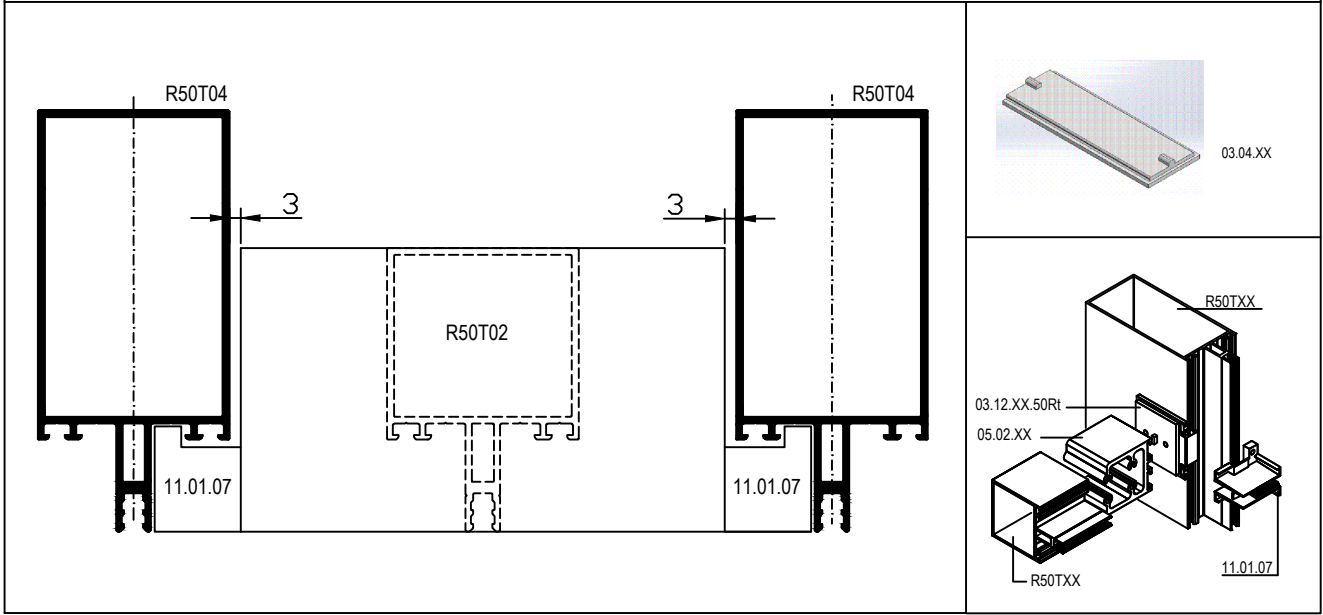
ÇİZİM DRAWING	AKSESUAR KODU ACCESSORY CODE	PROFİL PROFILE	MALZEME MATERIAL
	03.12.01.50Rt	R50T01	EPDM
	03.12.02.50Rt	R50T02 R50T13	EPDM
	03.12.03.50Rt	R50T03	EPDM
	03.12.04.50Rt	R50T04 R50T18	EPDM
	03.12.05.50Rt	R50T05 R50T25	EPDM
	03.12.06.50Rt	R50T06	EPDM

ÇİZİM DRAWING	AKSESUAR KODU ACCESSORY CODE	PROFİL PROFILE	MALZEME MATERIAL
	04.18.02	R50T02 R50T13	PVC
	04.18.03	R50T03	PVC
	04.18.04	R50T04 R50T18	PVC
	04.18.05	R50T05 R50T25	PVC
	04.18.06	R50T06	PVC

*KANAT OLAN BÖLÜMLERDE VE DİKME -KAYIT HEMYÜZ OLDUĞUNDA EPDM CONTA KULLANILMALIDIR.
EPDM PLUG SHOULD BE USED IN THE PARTS WITH VENTS.

ÇİZİM DRAWING	AKSESUAR KODU ACCESSORY CODE	PROFİL PROFILE	KESİM ÖLÇÜSÜ CUTTING SIZE
 <p>L = X MM</p> <p>06.01.XX (A) A011043</p> <p>06.01.XX (B) A011044</p>	06.01.13A (A011043) 06.01.13B (A011044)	R50T04 R50T18	L=77,7 mm
	06.01.14A (A011043) 06.01.14B (A011044)	R50T05	L=97,7 mm
	06.01.15A (A011043) 06.01.15B (A011044)	R50T06	L=115,7 mm
	06.01.18A (A011043) 06.01.18B (A011044)	R50T17	L=137,7 mm
	06.01.24A (A011043) 06.01.24B (A011044)	R50T13	L=41,7 mm
	06.01.35A (A011043) 06.01.35B (A011044)	R50T14	L=117,7 mm
	06.01.36A (A011043) 06.01.36B (A011044)	R50T25	L=97,5 mm
	06.01.37A (A011043) 06.01.37B (A011044)	R50T26	L=157,7 mm

YATAY KAYIT KESİM ÖLÇÜLERİ (R50C06 İLE)
TRANSOM CUTTING DIMENSIONS (WITH R50C06)



MİMARİ KATALOG
ARCHITECTURAL CATALOGUE

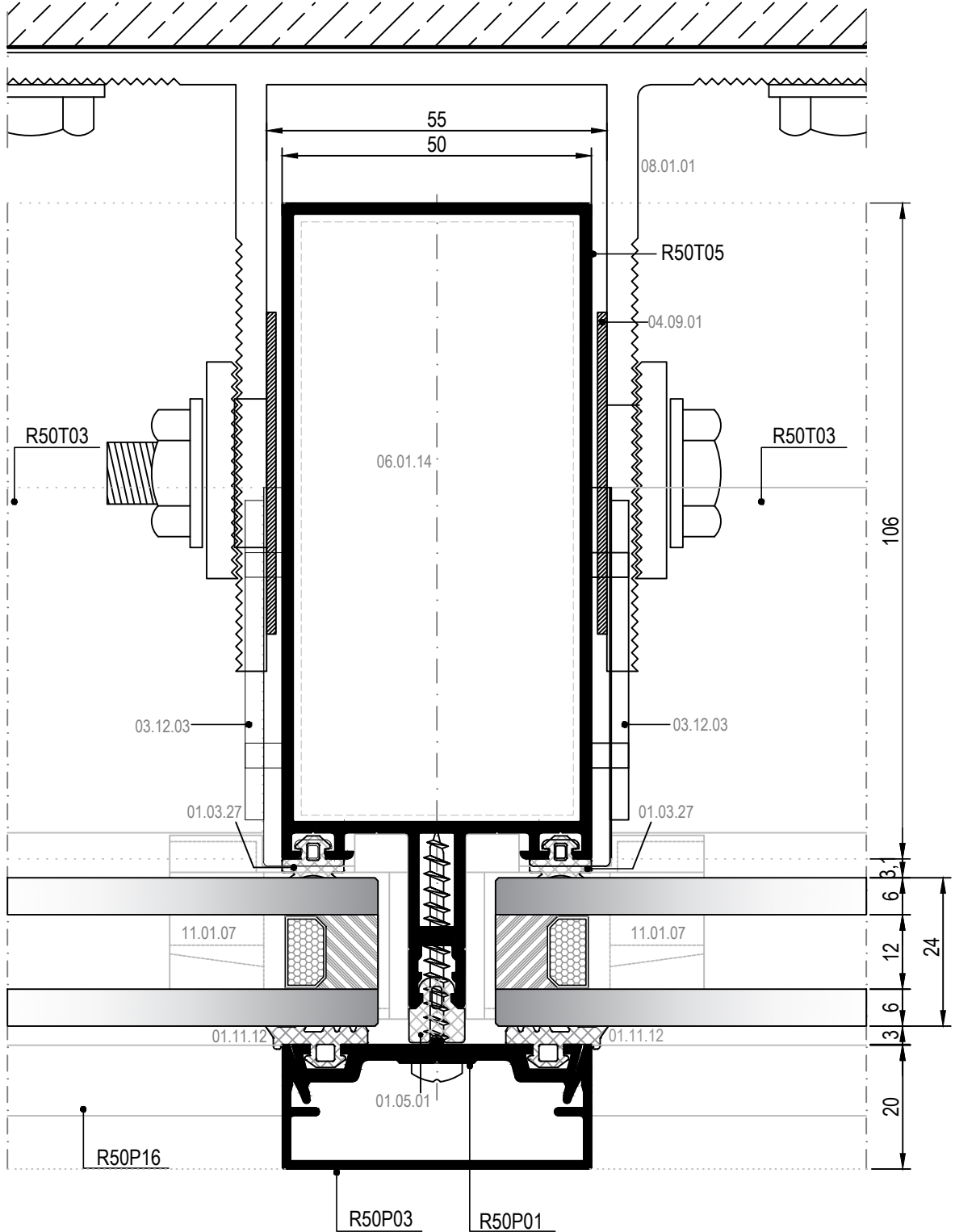
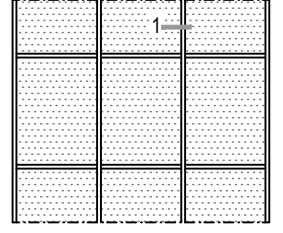
Alüminyum Cephe Sistemleri
Aluminium Facade Systems

RT50

KAPAKLI CEPHE DETAYLARI

COVER CAP DETAILS

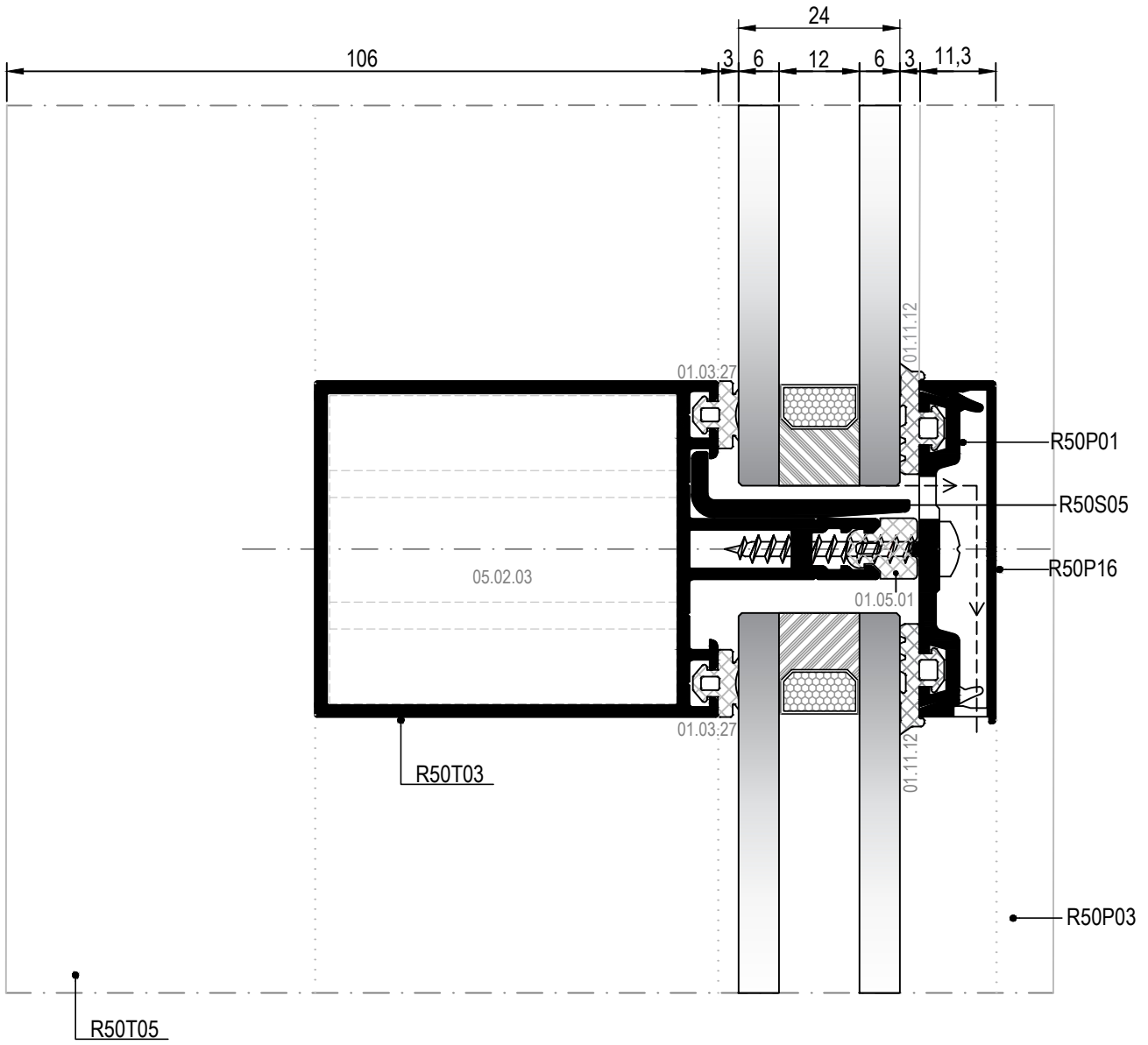
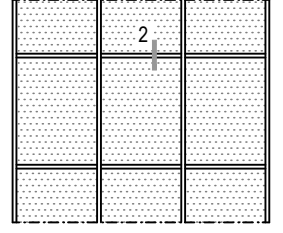
KAPAKLI CEPHE DÜŞEY DETAYI
CURTAIN WALL VERTICAL DETAIL



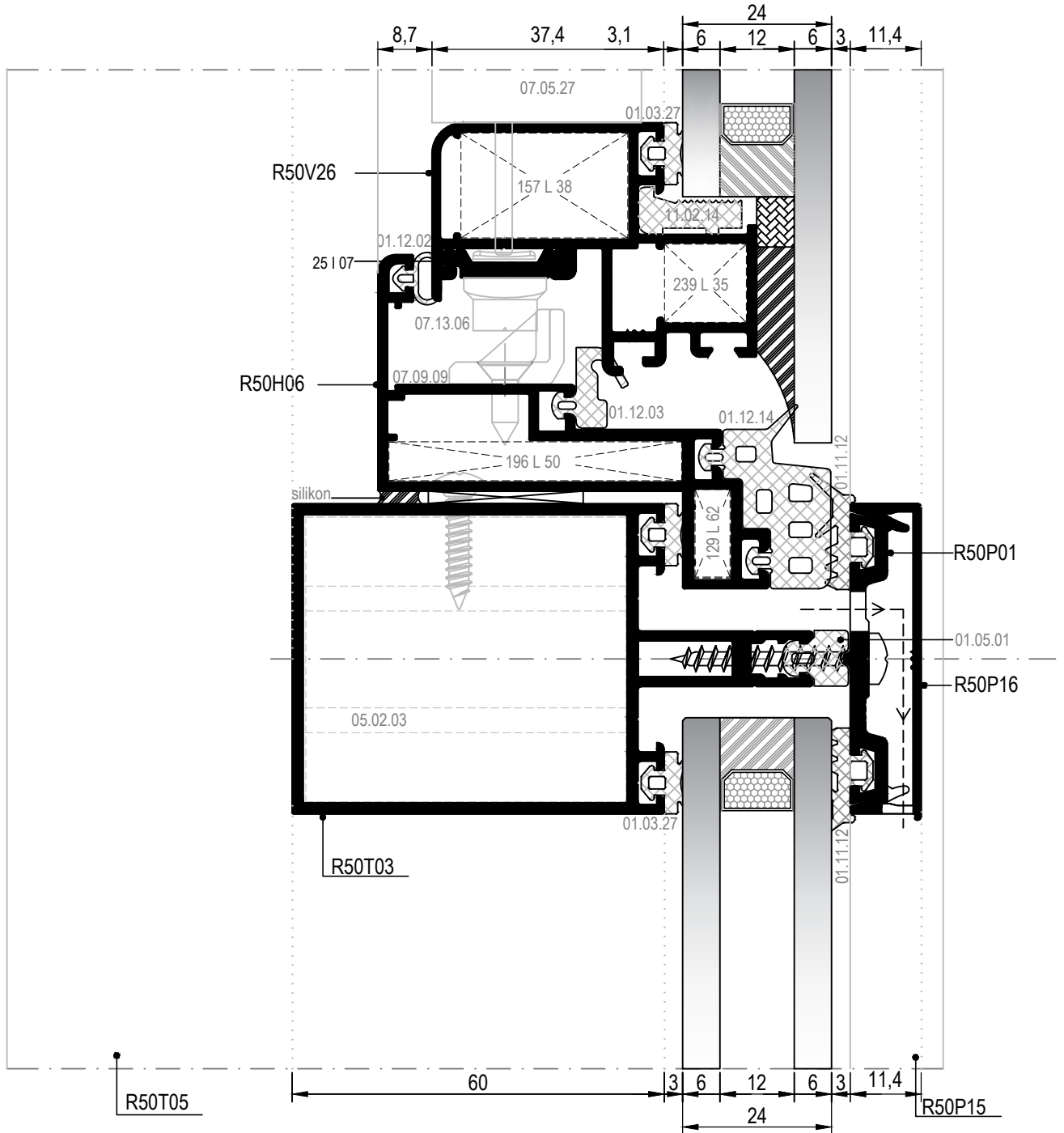
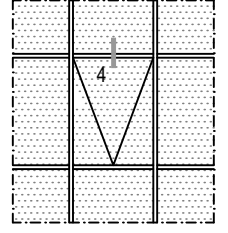
① DETAYI
DETAIL

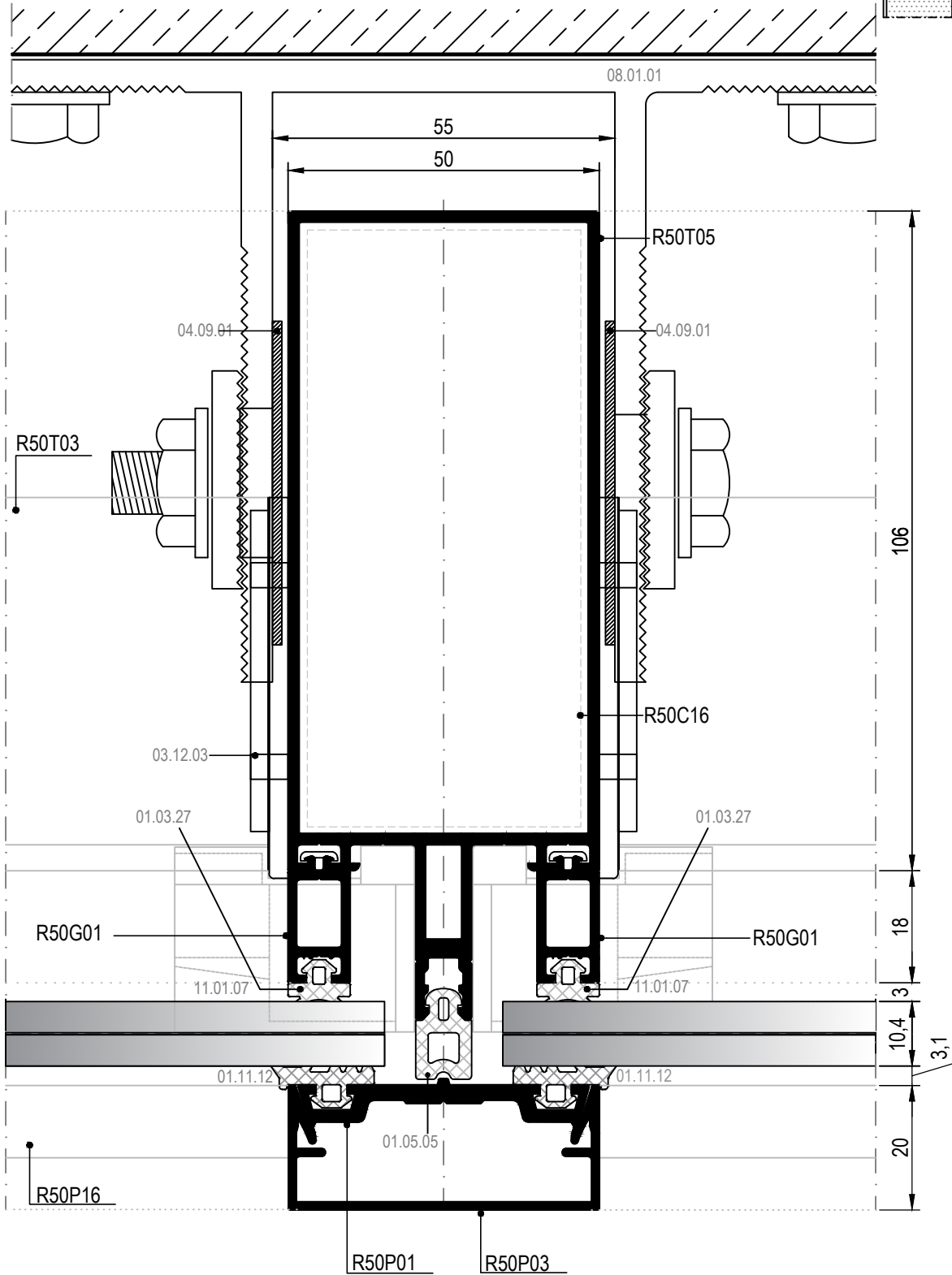
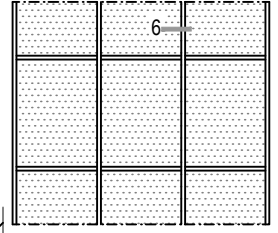
DIŞ
(OUTSIDE)

KAPAKLI CEPHE YATAY DETAYI
CURTAIN WALL HORIZONTAL DETAIL



KAPAKLI CEPHE İÇİNDE GİZLİ KANAT DETAYI
DETAIL OF HIDDEN VENT IN CURTAIN WALL





⑥ DETAYI
DETAIL

DIŞ
(OUTSIDE)

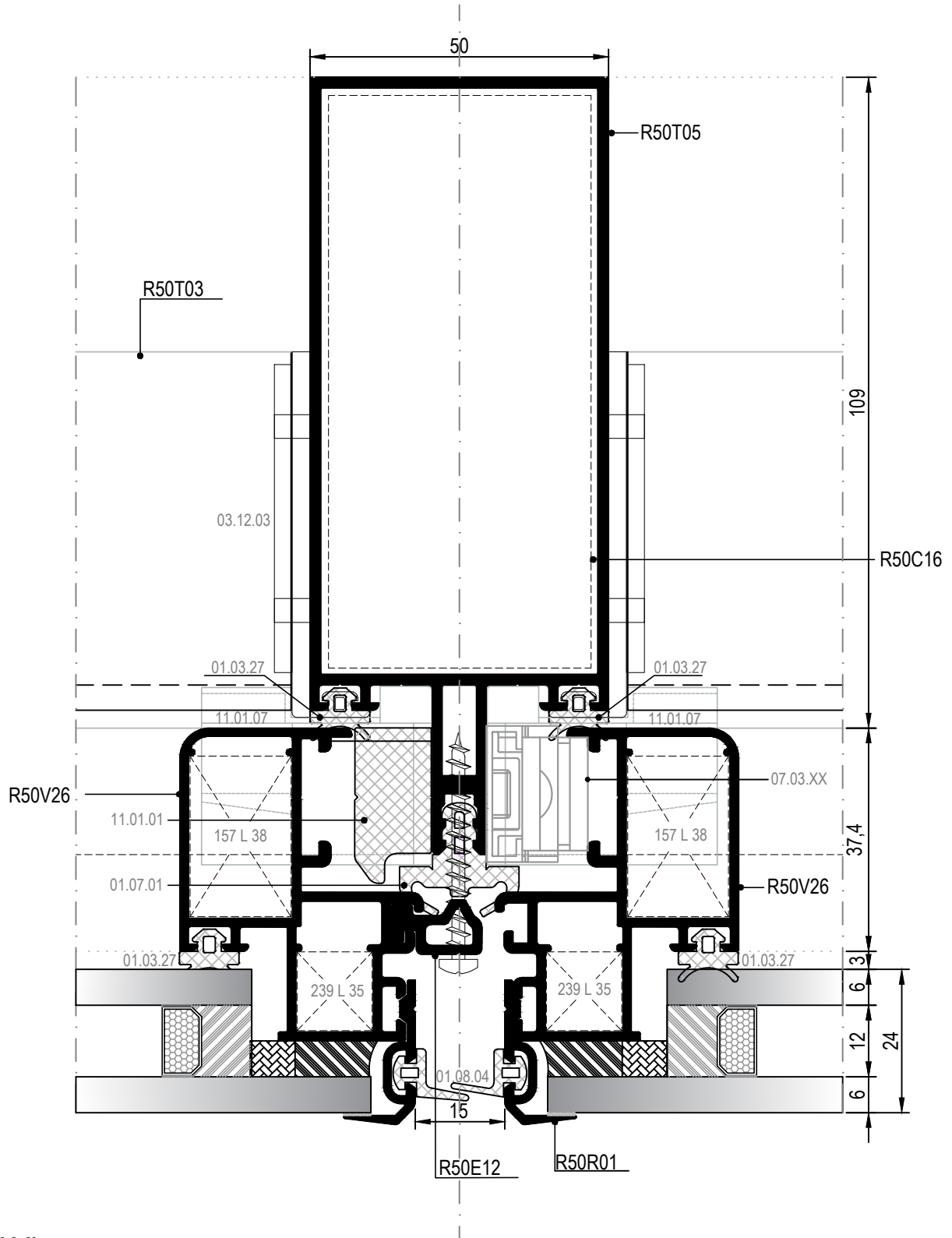
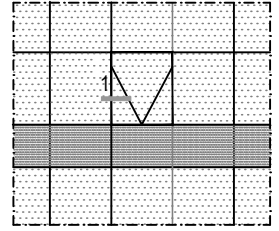
MİMARİ KATALOG
ARCHITECTURAL CATALOGUE

Alüminyum Cephe Sistemleri
Aluminium Facade Systems

RT50

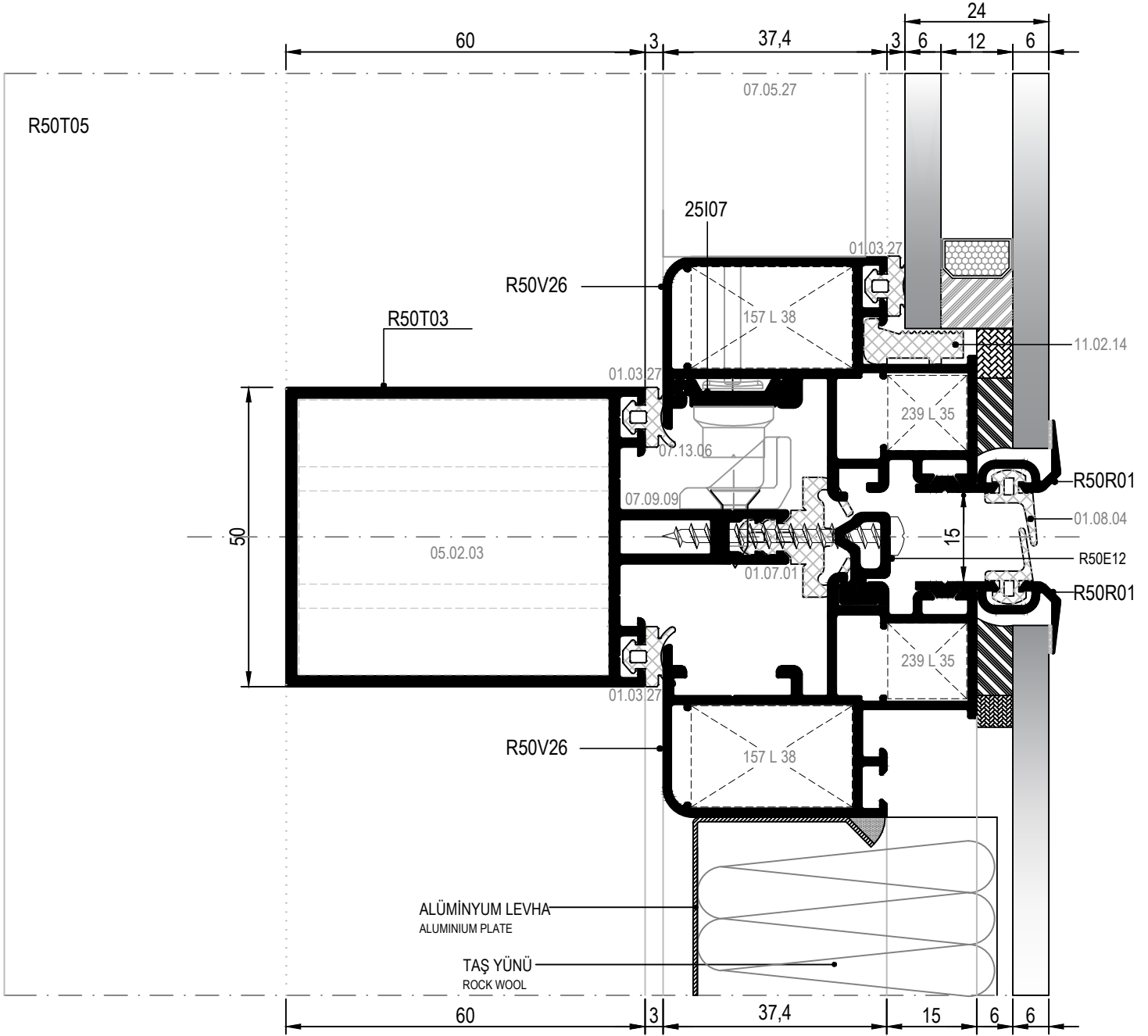
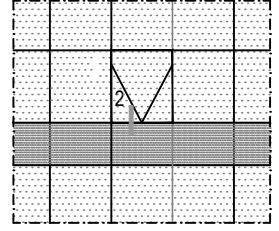
SİLİKON CEPHE DETAYLARI

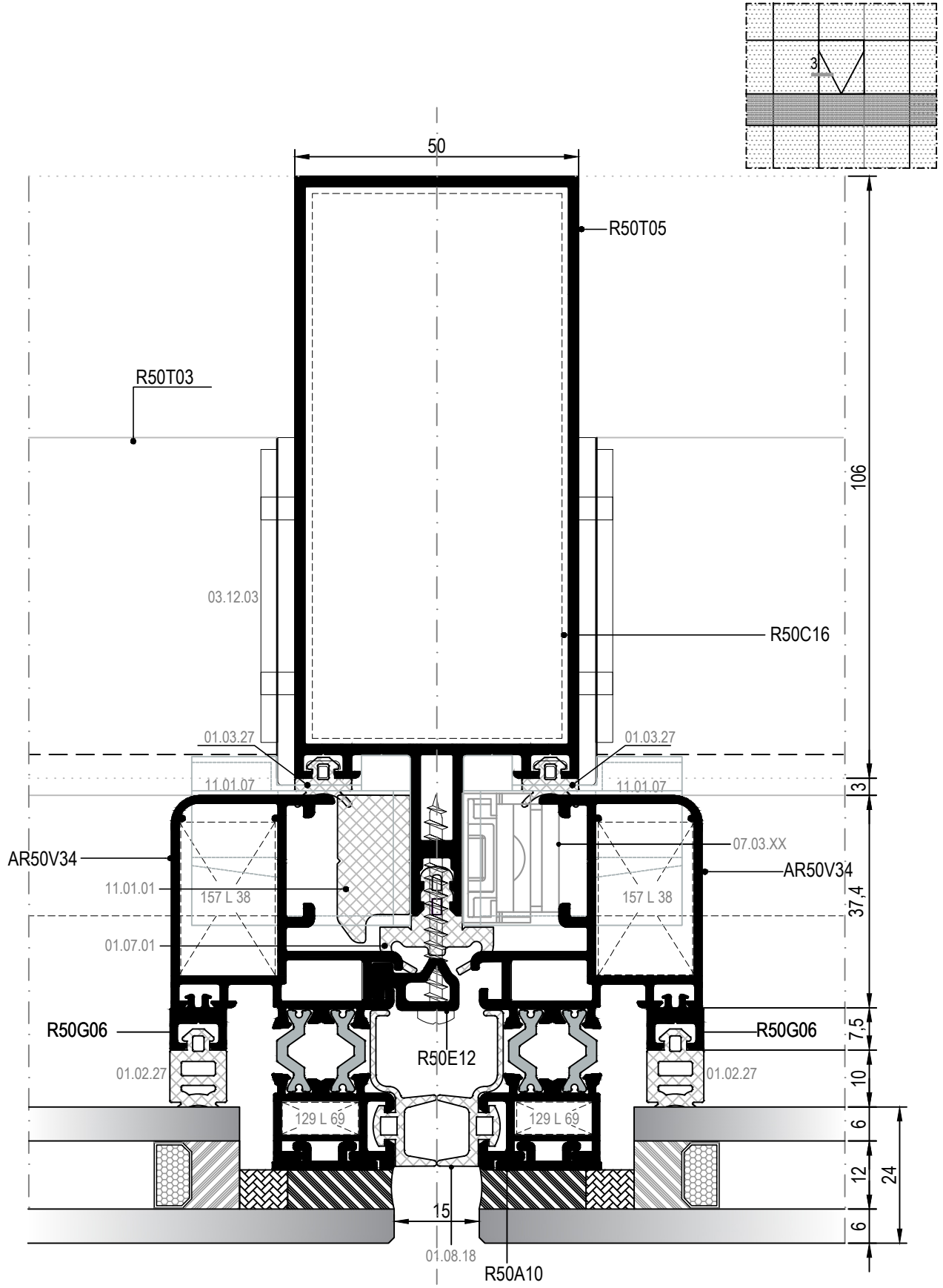
STRUCTURAL GLAZING DETAILS

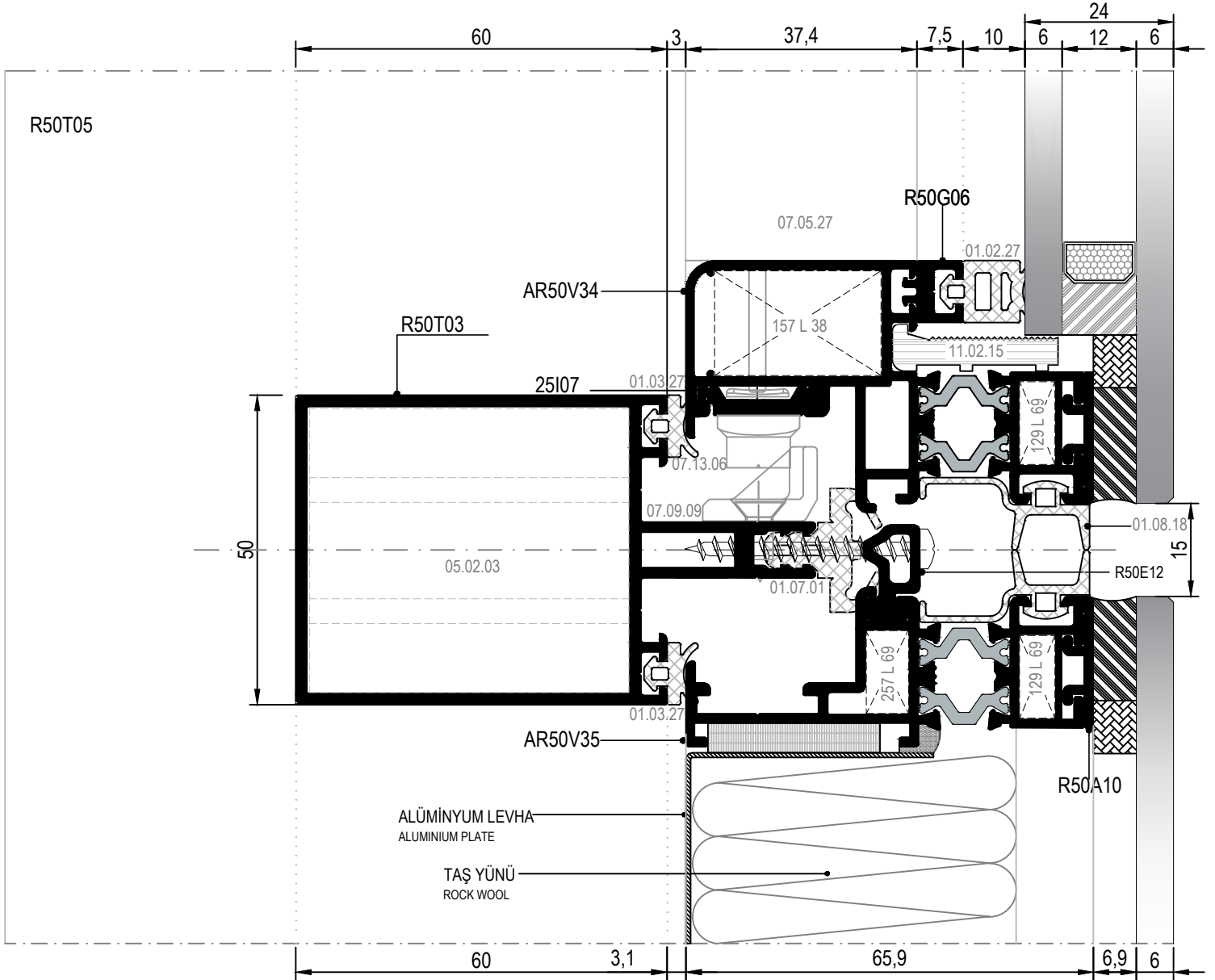
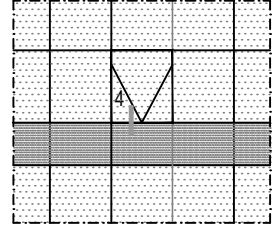


① DETAYI
DETAIL

▼ DIŞ
(OUTSIDE)







MİMARİ KATALOG
ARCHITECTURAL CATALOGUE

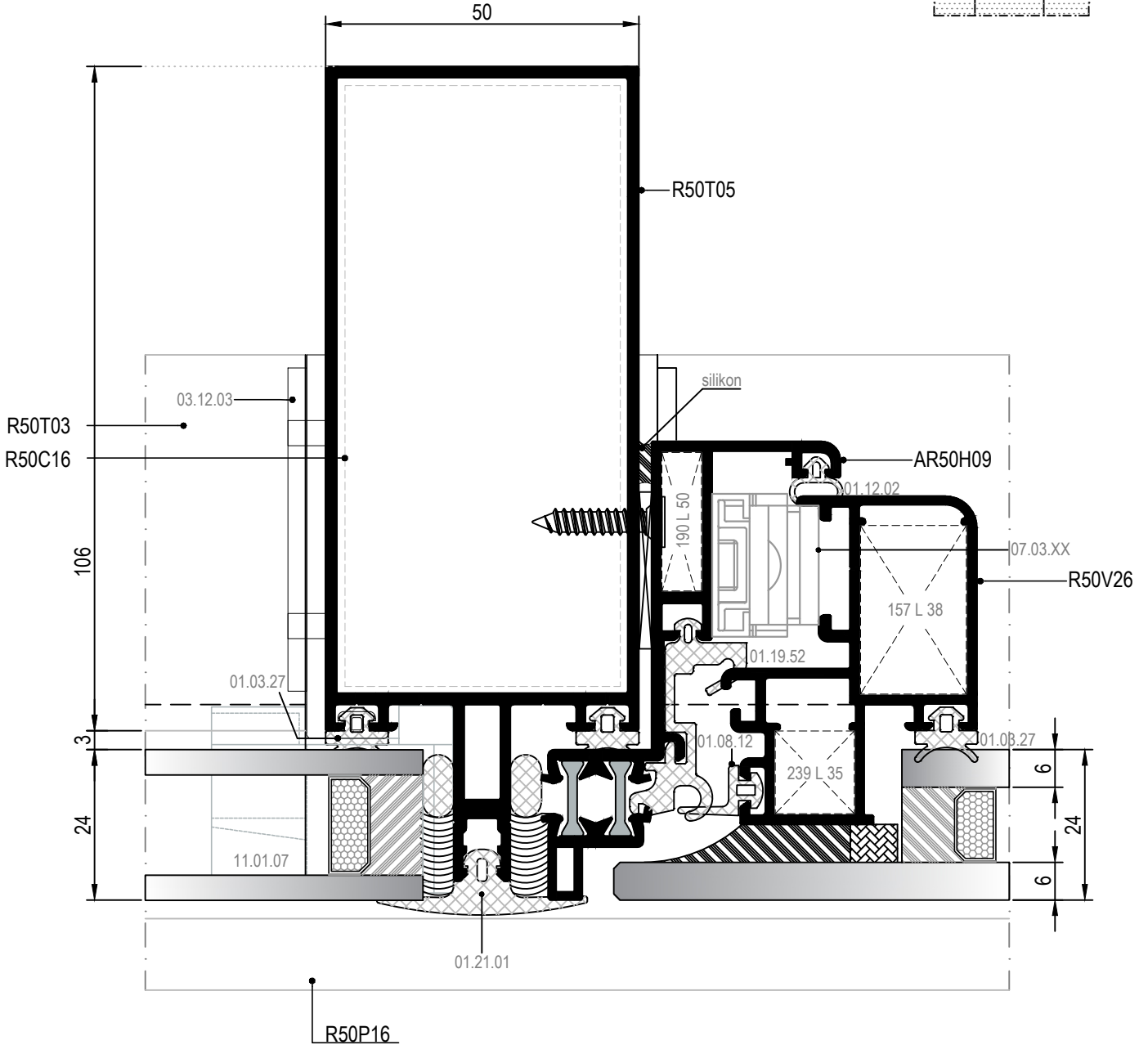
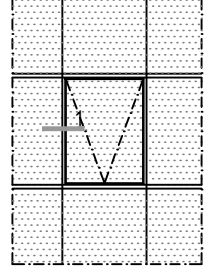
Alüminyum Cephe Sistemleri
Aluminium Facade Systems

RT50

YARI KAPAKLI DETAYLAR

SEMI-STRUCTURAL DETAILS

DÜŞEY SİLİKON YATAY KAPAKLI SİSTEM DÜŞEY DETAYI
TWO SIDE VERTICAL DETAIL

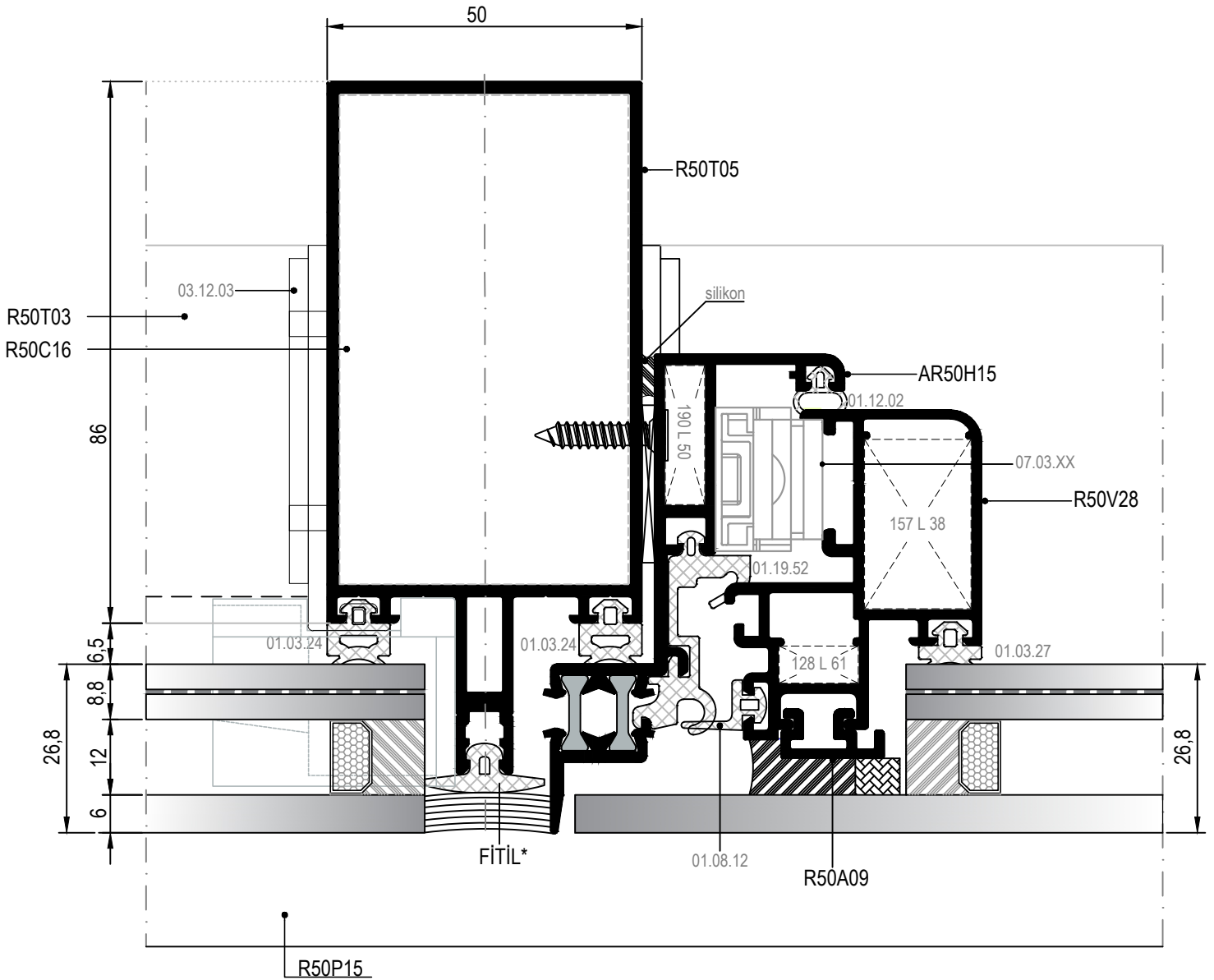
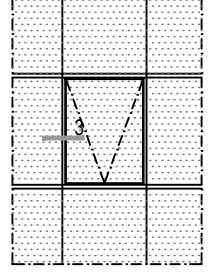


**YATAY PROFİL AKS ARALIĞI 1 M'DEN AZ OLMALIDIR.
AXLE DIMENSIONS MUST BE LESS THAN 1 M.

① DETAYI
DETAIL

▼ DIŞ
(OUTSIDE)

DÜŞEY SİLİKON YATAY KAPAKLI SİSTEM DÜŞEY DETAYI
TWO SIDE VERTICAL DETAIL



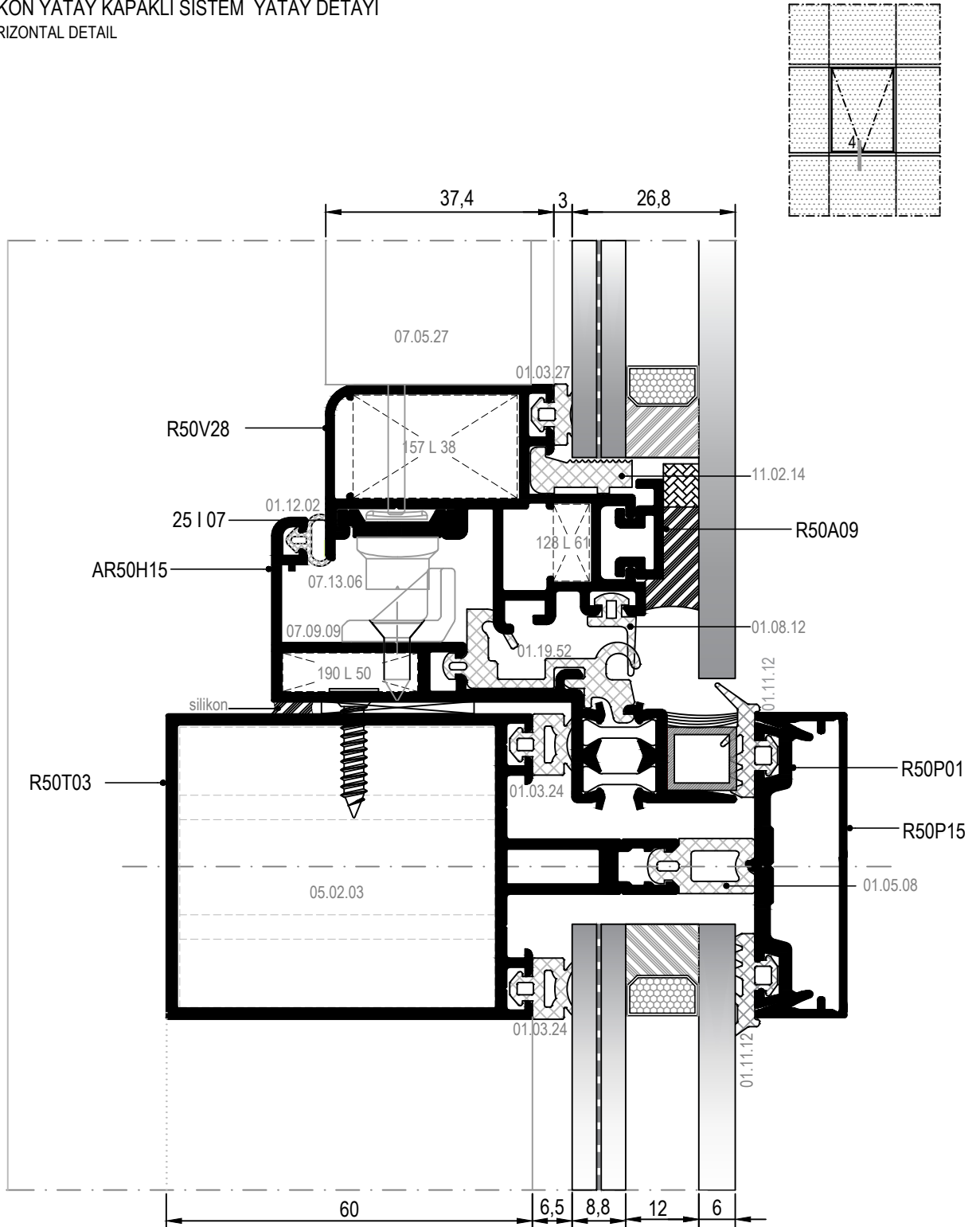
*Fitil kalıbı aktif değildir. Sipariş üzerine yapılacaktır.
*The gasket die is not active. It will be produced by order.

**YATAY PROFİL AKS ARALIĞI 1 M'DEN AZ OLMALIDIR.
AXLE DIMENSIONS MUST BE LESS THAN 1 M.

③ DETAYI
DETAIL

▼ DIŞ
(OUTSIDE)

DÜŞEY SİLİKON YATAY KAPAKLI SİSTEM YATAY DETAYI
TWO SIDE HORIZONTAL DETAIL



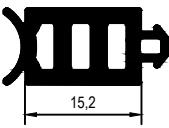
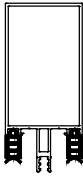

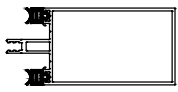
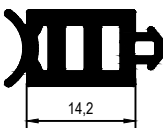
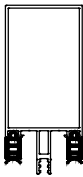

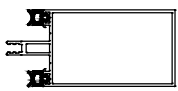
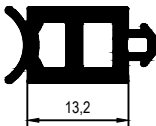

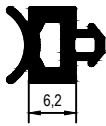
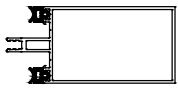
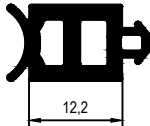
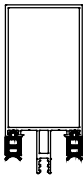
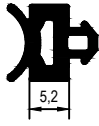
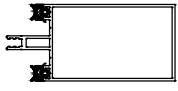
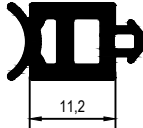

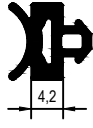
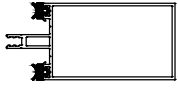
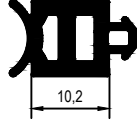
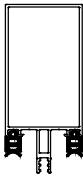

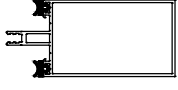
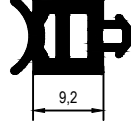
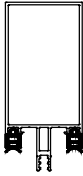
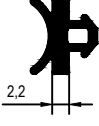

MİMARİ KATALOG
ARCHITECTURAL CATALOGUE


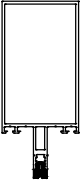
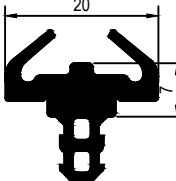
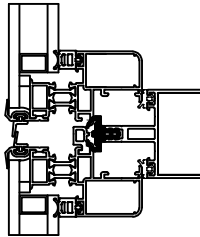

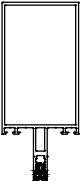
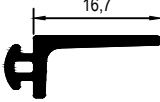
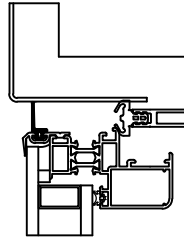

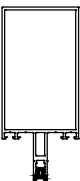
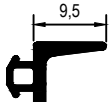
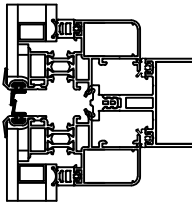


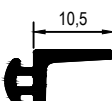
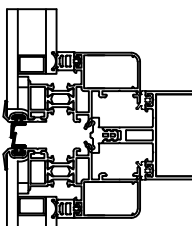


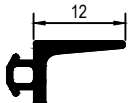
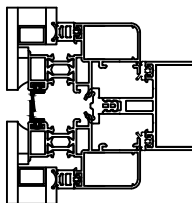


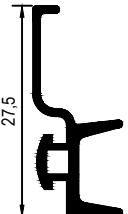
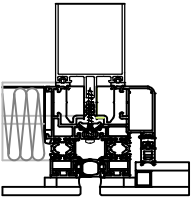
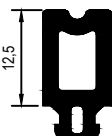

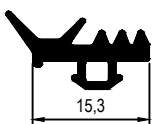
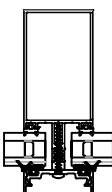
Alüminyum Cephe Sistemleri
Aluminium Facade Systems

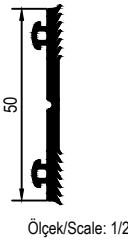
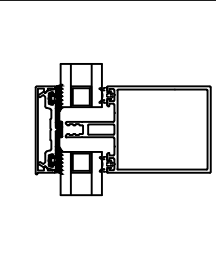

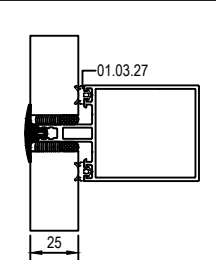
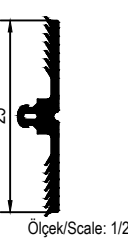
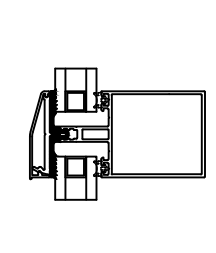
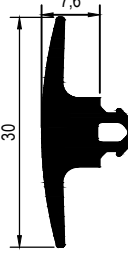
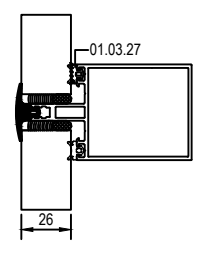
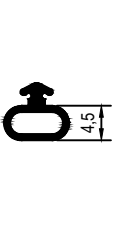
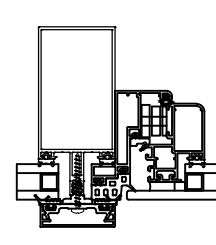

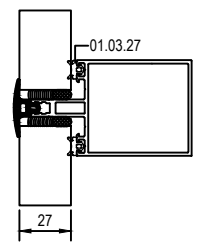

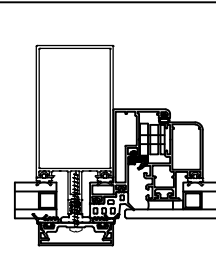
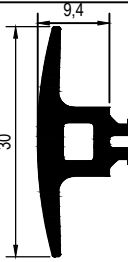
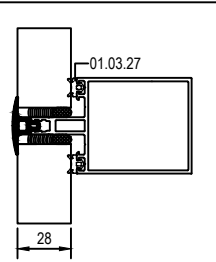

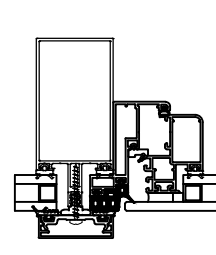
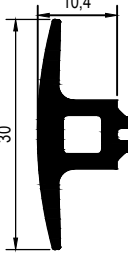
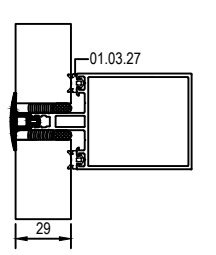

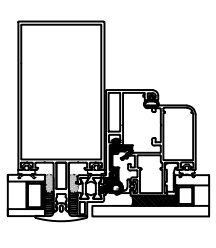
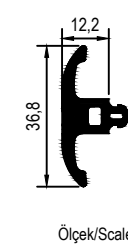
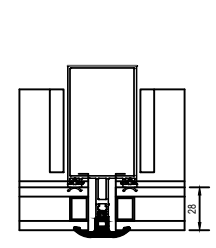
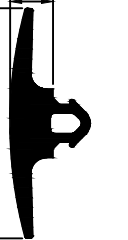
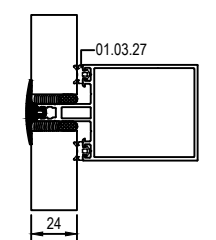
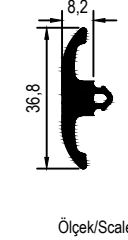
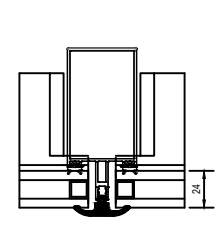
RT50

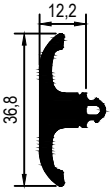
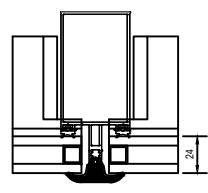
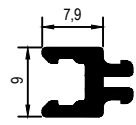
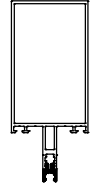
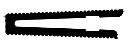
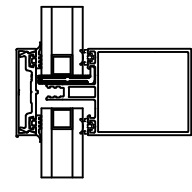
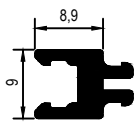
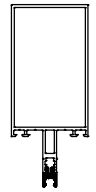
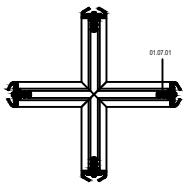
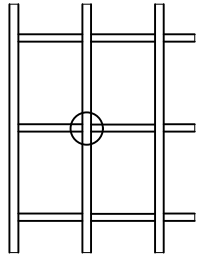
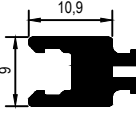
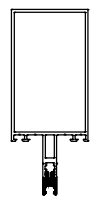
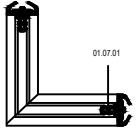
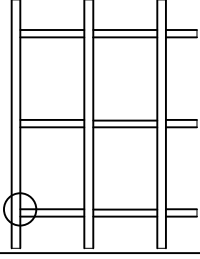
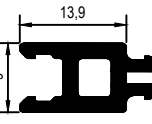
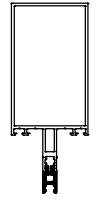
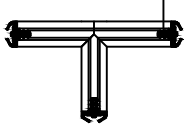
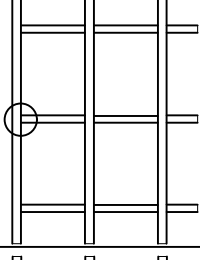
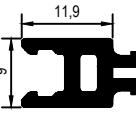
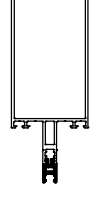
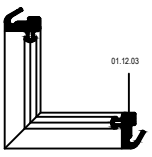
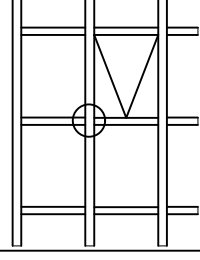
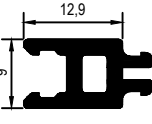
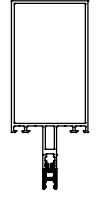
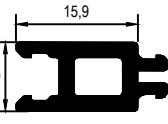
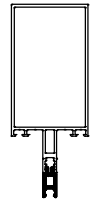
AKSESUARLAR

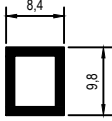
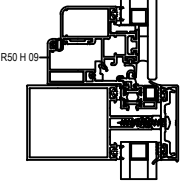

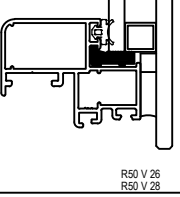
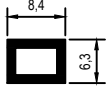
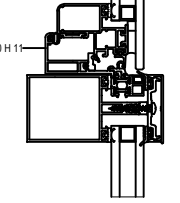

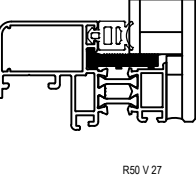
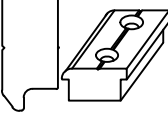
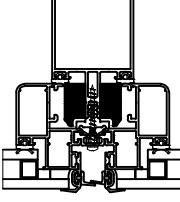
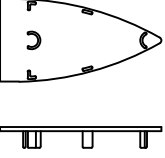

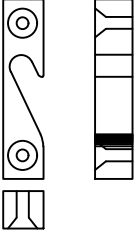
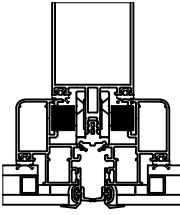
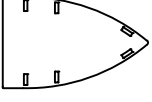
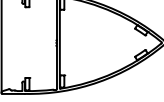
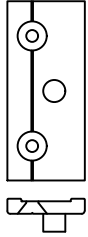
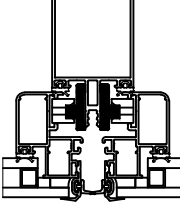

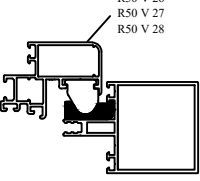
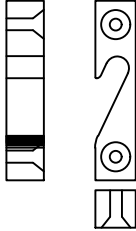
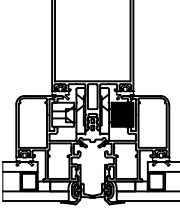
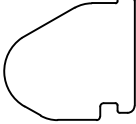
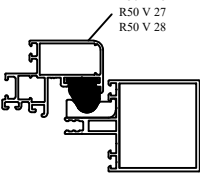
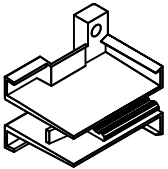
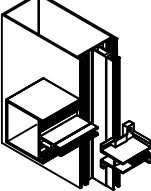
ACCESSORIES

 <p>15,2</p>	<p>01.02.21 CAM FİTİLİ GLAZING GASKET Malzeme / Material : EPDM Ağırlık / Weight : 175 gr/m Paket / Package : 85 m / 15 kg</p>		 <p>8,2</p>	<p>01.03.21 CAM FİTİLİ GLAZING GASKET Malzeme / Material : EPDM Ağırlık / Weight : 115 gr/m Paket / Package : 130 m / 15 kg</p>	
 <p>14,2</p>	<p>01.02.22 CAM FİTİLİ GLAZING GASKET Malzeme / Material : EPDM Ağırlık / Weight : 170 gr/m Paket / Package : 88 m / 15 kg</p>		 <p>7,2</p>	<p>01.03.22 CAM FİTİLİ GLAZING GASKET Malzeme / Material : EPDM Ağırlık / Weight : 93 gr/m Paket / Package : 161 m / 15 kg</p>	
 <p>13,2</p>	<p>01.02.23 CAM FİTİLİ GLAZING GASKET Malzeme / Material : EPDM Ağırlık / Weight : 146 gr/m Paket / Package : 102 m / 15 kg</p>		 <p>6,2</p>	<p>01.03.23 CAM FİTİLİ GLAZING GASKET Malzeme / Material : EPDM Ağırlık / Weight : 88 gr/m Paket / Package : 170 m / 15 kg</p>	
 <p>12,2</p>	<p>01.02.24 CAM FİTİLİ GLAZING GASKET Malzeme / Material : EPDM Ağırlık / Weight : 139 gr/m Paket / Package : 107 m / 15 kg</p>		 <p>5,2</p>	<p>01.03.24 CAM FİTİLİ GLAZING GASKET Malzeme / Material : EPDM Ağırlık / Weight : 81 gr/m Paket / Package : 185 m / 15 kg</p>	
 <p>11,2</p>	<p>01.02.25 CAM FİTİLİ GLAZING GASKET Malzeme / Material : EPDM Ağırlık / Weight : 135 gr/m Paket / Package : 111 m / 15 kg</p>		 <p>4,2</p>	<p>01.03.25 CAM FİTİLİ GLAZING GASKET Malzeme / Material : EPDM Ağırlık / Weight : 71 gr/m Paket / Package : 211 m / 15 kg</p>	
 <p>10,2</p>	<p>01.02.26 CAM FİTİLİ GLAZING GASKET Malzeme / Material : EPDM Ağırlık / Weight : 130 gr/m Paket / Package : 115 m / 15 kg</p>		 <p>3,2</p>	<p>01.03.26 CAM FİTİLİ GLAZING GASKET Malzeme / Material : EPDM Ağırlık / Weight : 75 gr/m Paket / Package : 200 m / 15 kg</p>	
 <p>9,2</p>	<p>01.02.27 CAM FİTİLİ GLAZING GASKET Malzeme / Material : EPDM Ağırlık / Weight : 122 gr/m Paket / Package : 122 m / 15 kg</p>		 <p>2,2</p>	<p>01.03.27 CAM FİTİLİ GLAZING GASKET Malzeme / Material : EPDM Ağırlık / Weight : 62 gr/m Paket / Package : 242 m / 15 kg</p>	

	<p>01.05.01 ORTA BASKI FİTİLİ CENTRAL GASKET</p> <p>Malzeme / Material : EPDM Ağırlık / Weight : 84 gr/m Paket / Package: 178 m / 15 kg</p>			<p>01.07.01 ORTA BASKI FİTİLİ CENTRAL GASKET</p> <p>Malzeme / Material : EPDM Ağırlık / Weight : 189 gr/m Paket / Package: 78 m / 15 kg</p>	
	<p>01.05.02 ORTA BASKI FİTİLİ CENTRAL GASKET</p> <p>Malzeme / Material : EPDM Ağırlık / Weight : 92 gr/m Paket / Package: 163 m / 15 kg</p>			<p>01.08.01 TIRNAK FİTİLİ SEALING JOINT GASKET</p> <p>Malzeme / Material : EPDM Ağırlık / Weight : 63 gr/m Paket / Package: 238 m / 15 kg</p>	
	<p>01.05.03 ORTA BASKI FİTİLİ CENTRAL GASKET</p> <p>Malzeme / Material : EPDM Ağırlık / Weight : 98 gr/m Paket / Package: 153 m / 15 kg</p>			<p>01.08.03 TIRNAK FİTİLİ SEALING JOINT GASKET</p> <p>Malzeme / Material : EPDM Ağırlık / Weight : 46 gr/m Paket / Package: 326 m / 15 kg</p>	
	<p>01.05.04 ORTA BASKI FİTİLİ CENTRAL GASKET</p> <p>Malzeme / Material : EPDM Ağırlık / Weight : 102 gr/m Paket / Package: 147 m / 15 kg</p>			<p>01.08.07 TIRNAK FİTİLİ SEALING JOINT GASKET</p> <p>Malzeme / Material : EPDM Ağırlık / Weight : 50 gr/m Paket / Package: 300 m / 15 kg</p>	
	<p>01.05.05 ORTA BASKI FİTİLİ CENTRAL GASKET</p> <p>Malzeme / Material : EPDM Ağırlık / Weight : 134 gr/m Paket / Package: 112 m / 15 kg</p>			<p>01.08.12 TIRNAK FİTİLİ SEALING JOINT GASKET</p> <p>Malzeme / Material : EPDM Ağırlık / Weight : 55 gr/m Paket / Package: 272 m / 15 kg</p>	
	<p>01.05.06 ORTA BASKI FİTİLİ CENTRAL GASKET</p> <p>Malzeme / Material : EPDM Ağırlık / Weight : 107 gr/m Paket / Package: 140 m / 15 kg</p>			<p>01.08.18 KASET BİNİ FİTİLİ SEAL GASKET</p> <p>Malzeme / Material : EPDM Ağırlık / Weight : 92 gr/m Paket / Package: 163 m / 15 kg</p>	
	<p>01.05.08 ORTA BASKI FİTİLİ CENTRAL GASKET</p> <p>Malzeme / Material : EPDM Ağırlık / Weight : 125 gr/m Paket / Package: 120 m / 15 kg</p>			<p>01.11.12 DIŞ CAM FİTİLİ GLAZING GASKET (OUT)</p> <p>Malzeme / Material : EPDM Ağırlık / Weight : 90 gr/m Paket / Package: 166 m / 15 kg</p>	

 <p>50 Ölçek/Scale: 1/2</p>	<p>01.11.05 KAPAK ALTI FİTİLİ GLAZING GASKET</p> <p>Malzeme / Material : EPDM Ağırlık / Weight : 220 gr/m Paket / Package : 68 m / 15 kg</p>		 <p>6.4 30 Ölçek/Scale: 1/2</p>	<p>01.21.02 BASMA FİTİLİ PRESSURE GASKET</p> <p>Malzeme / Material : EPDM Ağırlık / Weight : 158 gr/m Paket / Package : 94 m / 15 kg</p>	 <p>01.03.27 25</p>
 <p>25 Ölçek/Scale: 1/2</p>	<p>01.11.06 KAPAK ALTI FİTİLİ GLAZING GASKET</p> <p>Malzeme / Material : EPDM Ağırlık / Weight : 213 gr/m Paket / Package : 70 m / 15 kg</p>		 <p>7.6 30 Ölçek/Scale: 1/2</p>	<p>01.21.03 BASMA FİTİLİ PRESSURE GASKET</p> <p>Malzeme / Material : EPDM Ağırlık / Weight : 163 gr/m Paket / Package : 92 m / 15 kg</p>	 <p>01.03.27 26</p>
 <p>4.5 Ölçek/Scale: 1/2</p>	<p>01.12.02 GİZLİ KANAT FİTİLİ SEAL GASKET</p> <p>Malzeme / Material : EPDM Ağırlık / Weight : 35 gr/m Paket / Package : 428 m / 15 kg</p>		 <p>8.4 30 Ölçek/Scale: 1/2</p>	<p>01.21.04 BASMA FİTİLİ PRESSURE GASKET</p> <p>Malzeme / Material : EPDM Ağırlık / Weight : 159 gr/m Paket / Package : 94 m / 15 kg</p>	 <p>01.03.27 27</p>
 <p>4.5 Ölçek/Scale: 1/2</p>	<p>01.12.03 GİZLİ KANAT FİTİLİ SEAL GASKET</p> <p>Malzeme / Material : EPDM Ağırlık / Weight : 84 gr/m Paket / Package : 178 m / 15 kg</p>		 <p>9.4 30 Ölçek/Scale: 1/2</p>	<p>01.21.05 BASMA FİTİLİ PRESSURE GASKET</p> <p>Malzeme / Material : EPDM Ağırlık / Weight : 172 gr/m Paket / Package : 87 m / 15 kg</p>	 <p>01.03.27 28</p>
 <p>4.5 Ölçek/Scale: 1/2</p>	<p>01.12.14 GİZLİ KANAT KASA FİTİLİ SEAL GASKET</p> <p>Malzeme / Material : EPDM Ağırlık / Weight : 351 gr/m Paket / Package : 42 m / 15 kg</p>		 <p>10.4 30 Ölçek/Scale: 1/2</p>	<p>01.21.06 BASMA FİTİLİ PRESSURE GASKET</p> <p>Malzeme / Material : EPDM Ağırlık / Weight : 167 gr/m Paket / Package : 90 m / 15 kg</p>	 <p>01.03.27 29</p>
 <p>36.8 Ölçek/Scale: 1/2</p>	<p>01.19.52 KASET BİNİ FİTİLİ SEAL GASKET</p> <p>Malzeme / Material : EPDM Ağırlık / Weight : 214 gr/m Paket / Package : 70 m / 15 kg</p>		 <p>12.2 36.8 Ölçek/Scale: 1/2</p>	<p>01.21.07 BASMA FİTİLİ PRESSURE GASKET</p> <p>Malzeme / Material : EPDM Ağırlık / Weight : 260 gr/m Paket / Package : 57 m / 15 kg</p>	 <p>26</p>
 <p>5.6 30 Ölçek/Scale: 1/2</p>	<p>01.21.01 BASMA FİTİLİ PRESSURE GASKET</p> <p>Malzeme / Material : EPDM Ağırlık / Weight : 136 gr/m Paket / Package : 109 m / 15 kg</p>	 <p>01.03.27 24</p>	 <p>8.2 36.8 Ölçek/Scale: 1/2</p>	<p>01.21.08 BASMA FİTİLİ PRESSURE GASKET</p> <p>Malzeme / Material : EPDM Ağırlık / Weight : 228 gr/m Paket / Package : 65 m / 15 kg</p>	 <p>24</p>

 <p>12,2 36,8</p>	<p>01.21.09 BASMA FİTİLİ PRESSURE GASKET</p> <p>Malzeme / Material : EPDM Ağırlık / Weight : 304 gr/m Paket / Package: 49 m / 15 kg</p>		 <p>7,9 9</p>	<p>02.01.01 PVC PROFİL PVC PROFILE</p> <p>Malzeme / Material : PVC</p>	
	<p>01.22.01 CAM TAKOZ FİTİLİ SUPPORT GASKET</p> <p>Malzeme / Material : EPDM Ağırlık / Weight : 115 gr/m Paket / Package: 130 m / 15 kg</p>		 <p>8,9 9</p>	<p>02.01.02 PVC PROFİL PVC PROFILE</p> <p>Malzeme / Material : PVC</p>	
 <p>01.07.01</p>	<p>03.07.01 (+) FİTİL (+) GASKET</p> <p>Malzeme / Material : EPDM 01.07.01 - 01.07.01</p>		 <p>10,9 9</p>	<p>02.01.04 PVC PROFİL PVC PROFILE</p> <p>Malzeme / Material : PVC</p>	
 <p>01.07.01</p>	<p>03.07.02 (L) FİTİL (L) GASKET</p> <p>Malzeme / Material : EPDM 01.07.01 - 01.07.01</p>		 <p>13,9 9</p>	<p>02.01.05 PVC PROFİL PVC PROFILE</p> <p>Malzeme / Material : PVC</p>	
 <p>01.07.01</p>	<p>03.07.03 (T) FİTİL (T) GASKET</p> <p>Malzeme / Material : EPDM 01.07.01 - 01.07.01</p>		 <p>11,9 9</p>	<p>02.01.07 PVC PROFİL PVC PROFILE</p> <p>Malzeme / Material : PVC</p>	
 <p>01.12.03</p>	<p>03.07.04 (L) FİTİL (L) GASKET</p> <p>Malzeme / Material : EPDM 01.12.03 - 01.12.03</p>		 <p>12,9 9</p>	<p>02.01.08 PVC PROFİL PVC PROFILE</p> <p>Malzeme / Material : PVC</p>	
			 <p>15,9 9</p>	<p>02.01.09 PVC PROFİL PVC PROFILE</p> <p>Malzeme / Material : PVC</p>	

	<p>02.03.06 PVC PROFİL PVC PROFILE Malzeme / Material : PVC</p>			<p>11.02.14 CAM TAKOZU GLASS SUPPORT Malzeme / Material : PVC</p>	
	<p>02.03.10 PVC PROFİL PVC PROFILE Malzeme / Material : PVC</p>			<p>11.02.15 CAM TAKOZU GLASS SUPPORT Malzeme / Material : PVC</p>	
	<p>11.01.01 KASET YAN TAKOZLARI VENT SUPPORT PART Malzeme / Material : PVC</p>			<p>04.10.17 PVC KAPAK PVC CAP R50 P 06 İÇİN FOR R50 P 06</p>	
	<p>11.01.02 KASET SABİTLEME PARÇASI VENT FIXING PART SOL / LEFT Malzeme / Material : Alüminyum Aluminium</p>			<p>04.10.21 PVC KAPAK PVC CAP R50 P 32 İÇİN FOR R50 P 32</p>	
	<p>11.01.03 KASET BAĞLANTI PARÇASI VENT CONNECTION PART Malzeme / Material : Alüminyum Aluminium</p>			<p>04.15.03 KASET SEVİYE TAKOZU VENT SUPPORT PART Malzeme / Material : PVC</p>	
	<p>11.01.04 KASET SABİTLEME PARÇASI VENT FIXING PART SAĞ / RIGHT Malzeme / Material : Alüminyum Aluminium</p>			<p>04.15.04 KASET SEVİYE TAKOZU VENT SUPPORT PART Malzeme / Material : PVC</p>	
	<p>11.01.07 SU TAHLİYE PARÇASI WATER DISCHARGE PIECE Malzeme / Material : PVC</p>				

CEPHE MAKASLARI / ARMS FOR CURTAIN WALL



GIESSE CEPHE MAKASLARI
GIESSE ARMS FOR CURTAIN WALL

Malzeme / Material : Paslanmaz Çelik
Stainless Steel

EN 13126-6 : 2007

GIESSE DIŐA AÇILIM MAKAS GIESSE ARM FOR TOP HUNG	MAKAS BOYU ARM LENGHT		KANAT GENİŐLİĐİ SASH WIDTH (mm)	KANAT YÜKSEKLİĐİ SASH HEIGHT (mm)	KANAT AĐIRLIĐI SASH WEIGHT (Kg)	MAX.AÇMA DERECEŐİ MAX.OPENING ANGLE
	INCH	MM				
07.03.14	10"	261,5	1200	700	50 kg	35°
07.03.02	12"	317	1200	800	60 kg	30° / 35°
07.03.03	14"	352	1300	1000	69,5 kg	30° / 35°
07.03.13	16"	353,5	1400	1200	88,5 kg	25° / 30°
07.03.04	18"	458,5	1400	1400	102 kg	25° / 30°
07.03.12	20"	511,5	1500	1600	135 kg	20° / 25°
07.03.15	22"	556,5	1500	1700	137 kg	20° / 25°
07.03.16	24"	602,5	1500	1800	139 kg	20° / 25°
07.03.17	28"	707,5	1500	2000	155 kg	10° / 15° / 20°
07.03.18	26"	690	*1700	*2500	*180 kg	*7°

ÖZEL RÜZGAR YÜKÜ KOŐULLARI İÇİN SİPARİŐ ÖNCESİ BİLGİ ALINMALIDIR.

FOR SPECIAL WIND LOAD CONDITIONS TAKE ADDITIONAL INFORMATION BEFORE ORDERING.

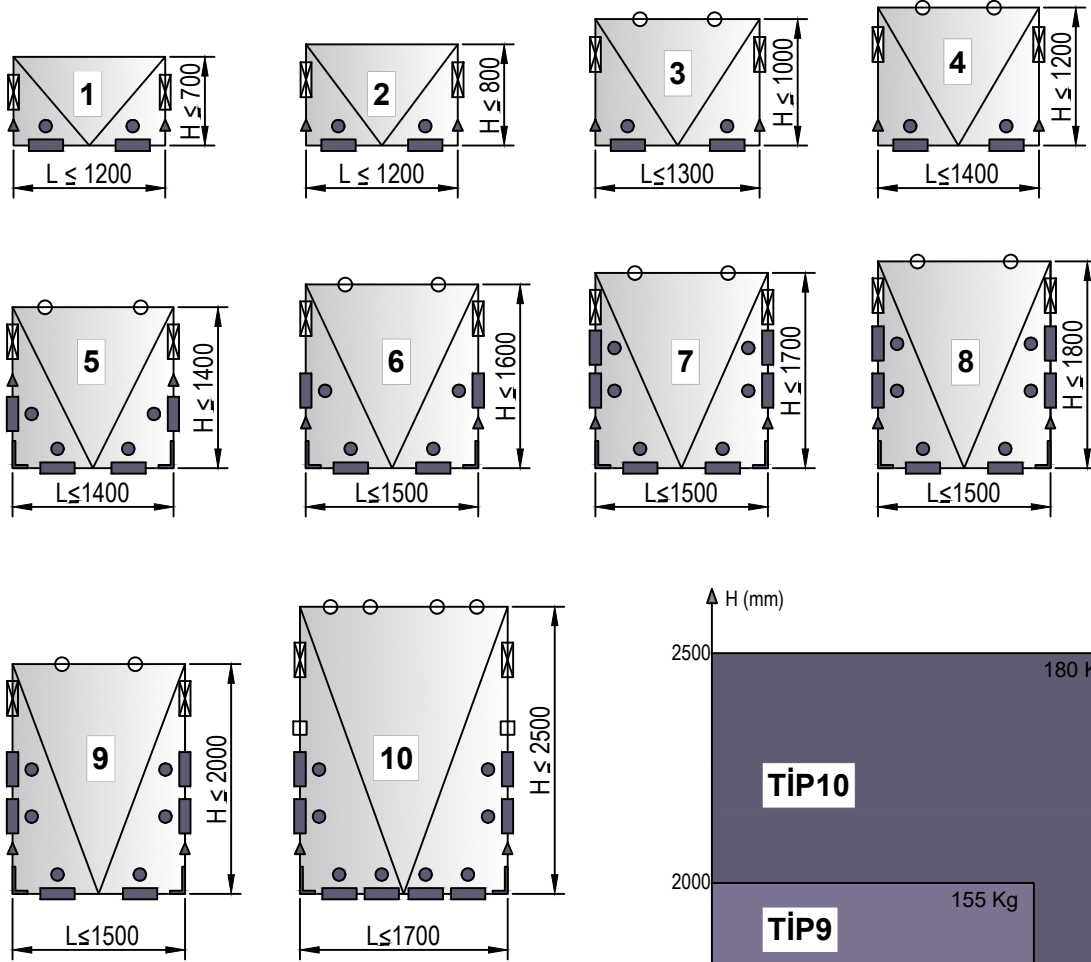
*07.03.18 KODLU MAKAS İLAVE LİMİTLEME MAKASI İLE BİRLİKTE KULLANILMALIDIR.

07.03.18 ARM MUST BE USED WITH ADDITIONAL LASER ARM

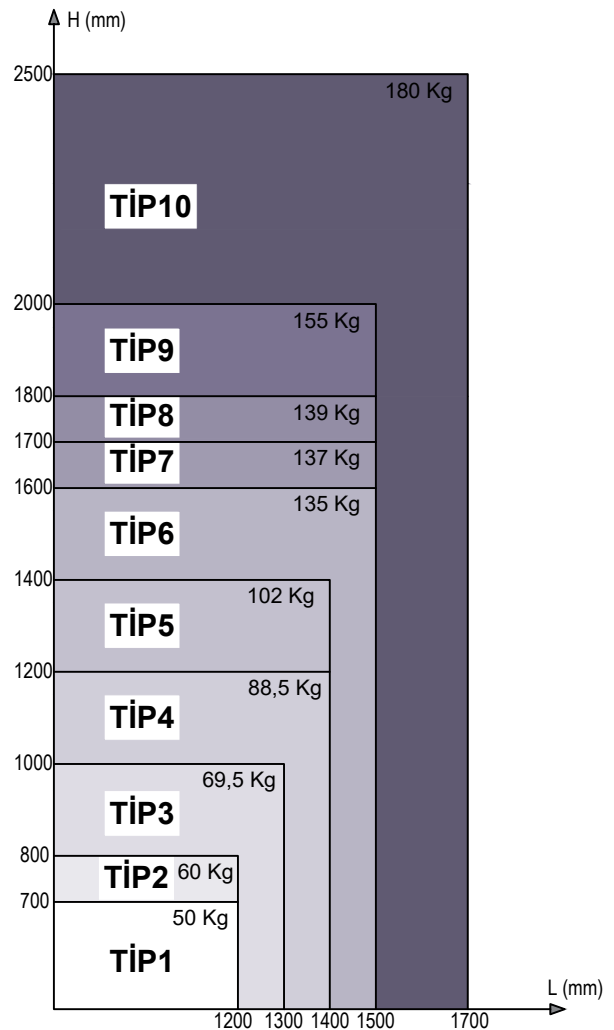
KİLİTLEME SETLERİ / LOCKING KITS

KANAT EBATLARINA GÖRE KİLİTLEME TİPLERİ

TYPES OF LOCKING KITS FOR TOP HUNG WINDOW



		07.03.xx
		07.09.09
		07.13.06
		11.01.01
		07.09.10
		07.21.02
		07.03.19



KİLİTLEME SETLERİ / LOCKING KITS




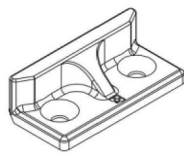



KİLİTLEME TİPLERİNE GÖRE AKSESUAR SEÇİM TABLOSU
ACCESSORIES SELECTION TABLE ACCORDING TO LOCKING TYPES

TİP TYPE	MAKAS (tk) ARM (tk)	07.05.27 CEPHE KOLU HANDLE	07.25.03 KOL BAĞLANTISI CONNECTION ROD	07.09.09 KARŞILIK STRIKER	07.13.06 PİM PAWL	11.01.10 KANAT YAN TAKOZU SUPPORT BLOCK	07.09.10 ÜST KİLİTLEME BURGLAR BOLT	07.21.02 KÖŞE DÖNME CORNER DRIVE	07.03.19 LİMİTLEME MAKASI LASER ARM
1	07.03.14	1	2	2	2	2			
2	07.03.02	1	2	2	2	2			
3	07.03.03	1	2	2	2	2	2		
4	07.03.13	1	2	2	2	2	2		
5	07.03.04	1	2	4	4	2	2	2	
6	07.03.12	1	2	4	4	2	2	2	
7	07.03.15	1	2	6	6	2	2	2	
8	07.03.16	1	2	6	6	2	2	2	
9	07.03.17	1	2	6	6	2	2	2	
10	07.03.18	1	2	8	8	2	4	2	2

***Giesse kol ve kilitleme aksesuarları 25 I 07 tij profili ile kullanılmalıdır.

Giesse handle and locking accessories should be used with 25 I 07 rod profile

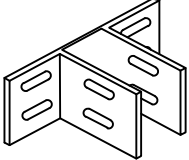
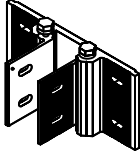
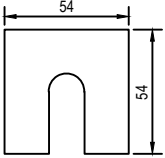
GIESSE KANAT AÇILIM AKSESUARLARI / GIESSE OPENING ACCESSORIES FOR TOP - HUNG WINDOW

 <p>07.05.27 GIESSE CEPHE KOLU GIESSE HANDLE FOR CURTAIN WALL Renk / Colour : Siyah-Gri Black-Grey</p>	 <p>07.25.03 GIESSE KOL BAĞLANTI PARÇASI GIESSE CONNECTION ROD Malzeme / Material : Zamak</p> <p>07.05.27 Kol için / For Handle 07.05.27</p>
 <p>07.03.19 GIESSE LİMİTLEME MAKASI GIESSE LASER ARM</p>	 <p>07.09.09 GIESSE PİM KARŞILIĞI GIESSE STRIKER Malzeme / Material : Zamak / Zamak</p>
 <p>07.09.10 GIESSE ÜST KİLİTLEME GIESSE BURGLAR BOLT Malzeme / Material : Zamak / Poliamid Zamak / Polyamide</p>	 <p>07.13.06 GIESSE AYARLI PİM GIESSE ADJUSTABLE LOCKING PAWL Malzeme / Material : Zamak / Zamak</p>
 <p>07.21.02 GIESSE KÖŞE DÖNME GIESSE CORNER DRIVE Malzeme / Material : Zamak / Zamak</p>	

KANAT AÇILIM AKSESUARLARI / OPENING ACCESSORIES FOR TOP - HUNG WINDOW

 <p>07.05.23 RESCARA CEPHE KOLU HANDLE FOR CURTAIN WALL Renk / Colour : Beyaz-Gri-Ham White-Grey-Pres</p>	 <p>07.13.05 PİM PIN 07.05.23 Kol için / For Handle 07.05.23</p>
 <p>07.09.05 PİM KARŞILIĞI LOCK PLATE Malzeme / Material : Zamak</p>	 <p>07.21.03 RESCARA KÖŞE DÖNME RESCARA CORNER DRIVE Malzeme / Material : Zamak / Zamak</p>

DİĞER / OTHERS

 <p>08.01.01 SABİT ANKRAJ + PUL FIX ANCHORAGE - ROVE Malzeme / Material : Alüminyum / Aluminium</p>	 <p>08.01.02 HAREKETLİ ANKRAJ + PUL MOVE ANCHORAGE + ROVE Malzeme / Material : Alüminyum / Aluminium</p>
 <p>04.09.01 SABİT ANKRAJ İÇİ PLASTİĞİ PVC FOR ANCHORAGE Malzeme / Material : PVC</p>	