

MİMARİ KATALOG
ARCHITECTURAL CATALOGUE

Alüminyum Konvansiyonel Sistemleri
Aluminium Conventional Systems

RD55+

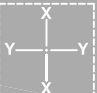
MİMARİ KATALOG
ARCHITECTURAL CATALOGUE

Alüminyum Konvansiyonel Sistemleri
Aluminium Conventional Systems

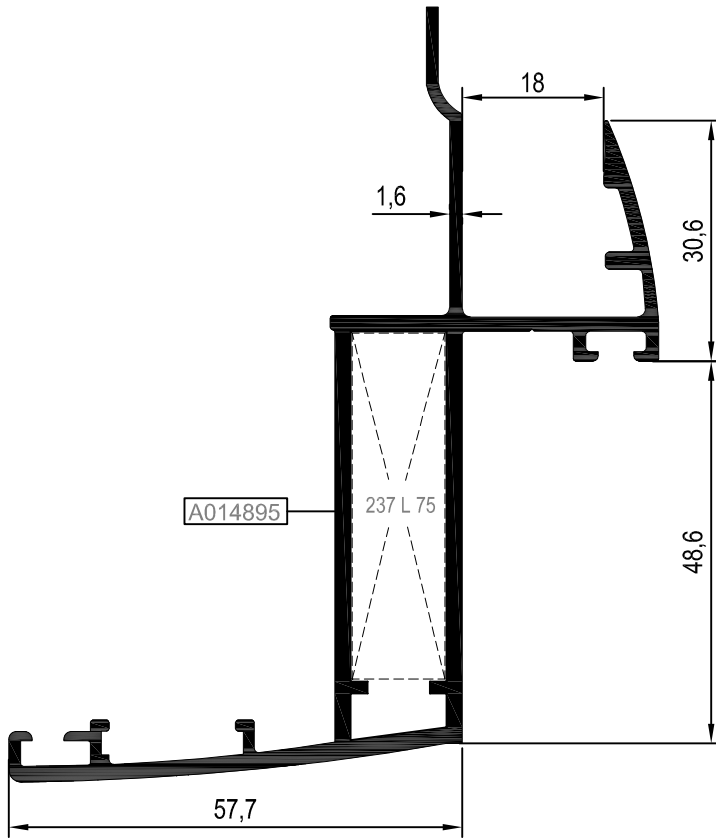
RD55+

PROFİLLER

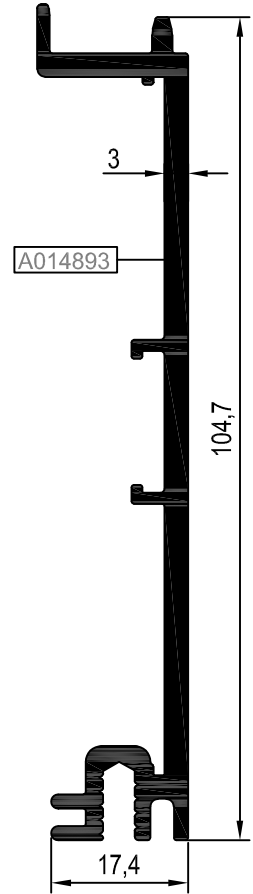
PROFILES

KOD / CODE	AĞIRLIK (kg/m) / WEIGHT	Jxx cm ⁴	Jyy cm ⁴	L m	
RD55F03	1,553	21,881	44,887	6	
RD55A16	1,243	1,134	56,687	6	

RD55F03

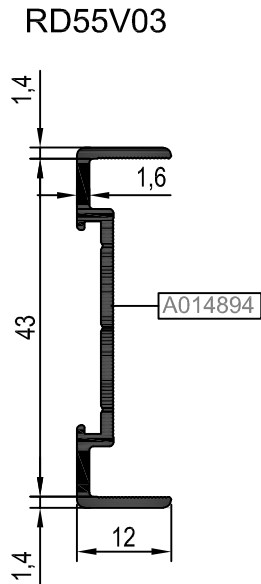
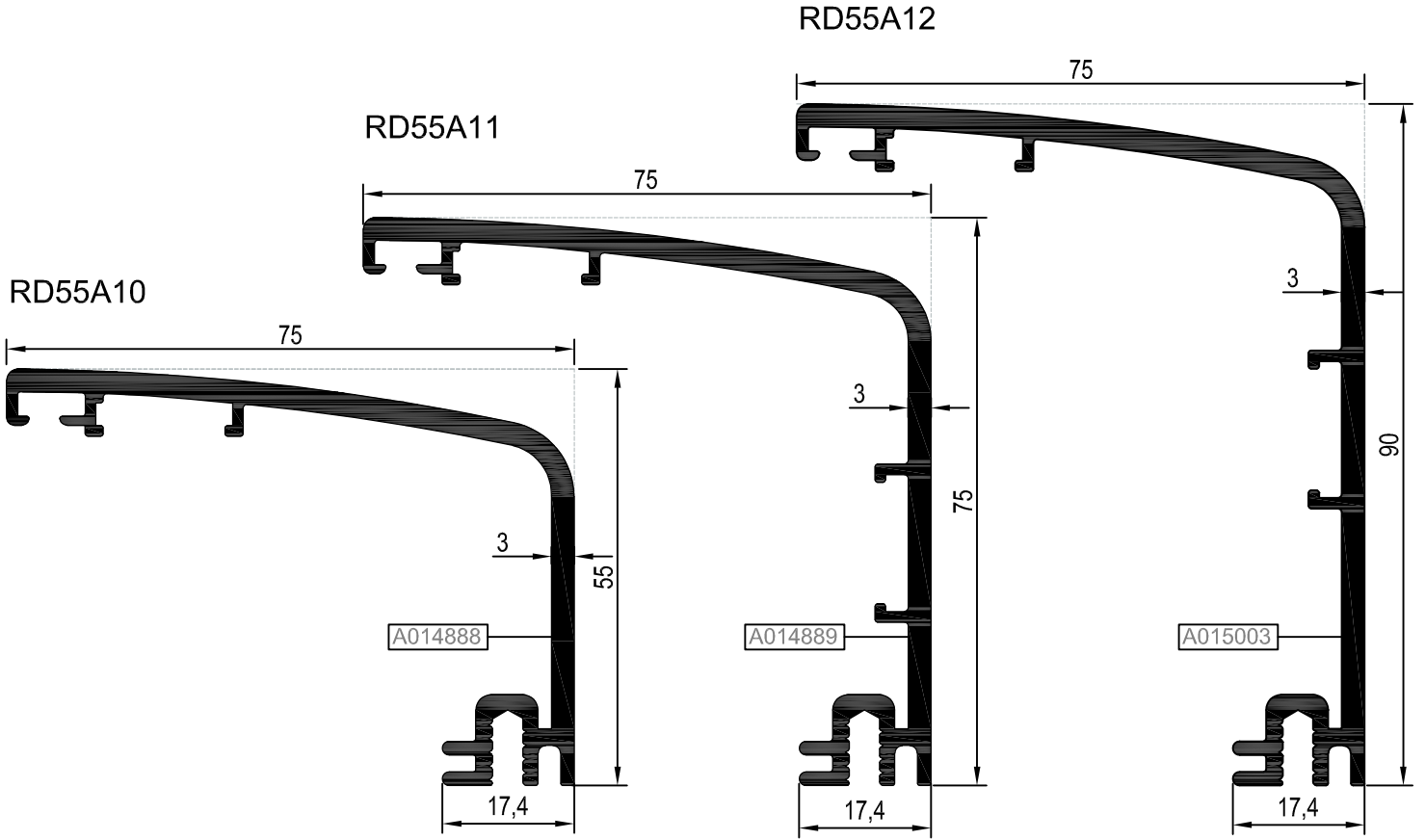


RD55A16

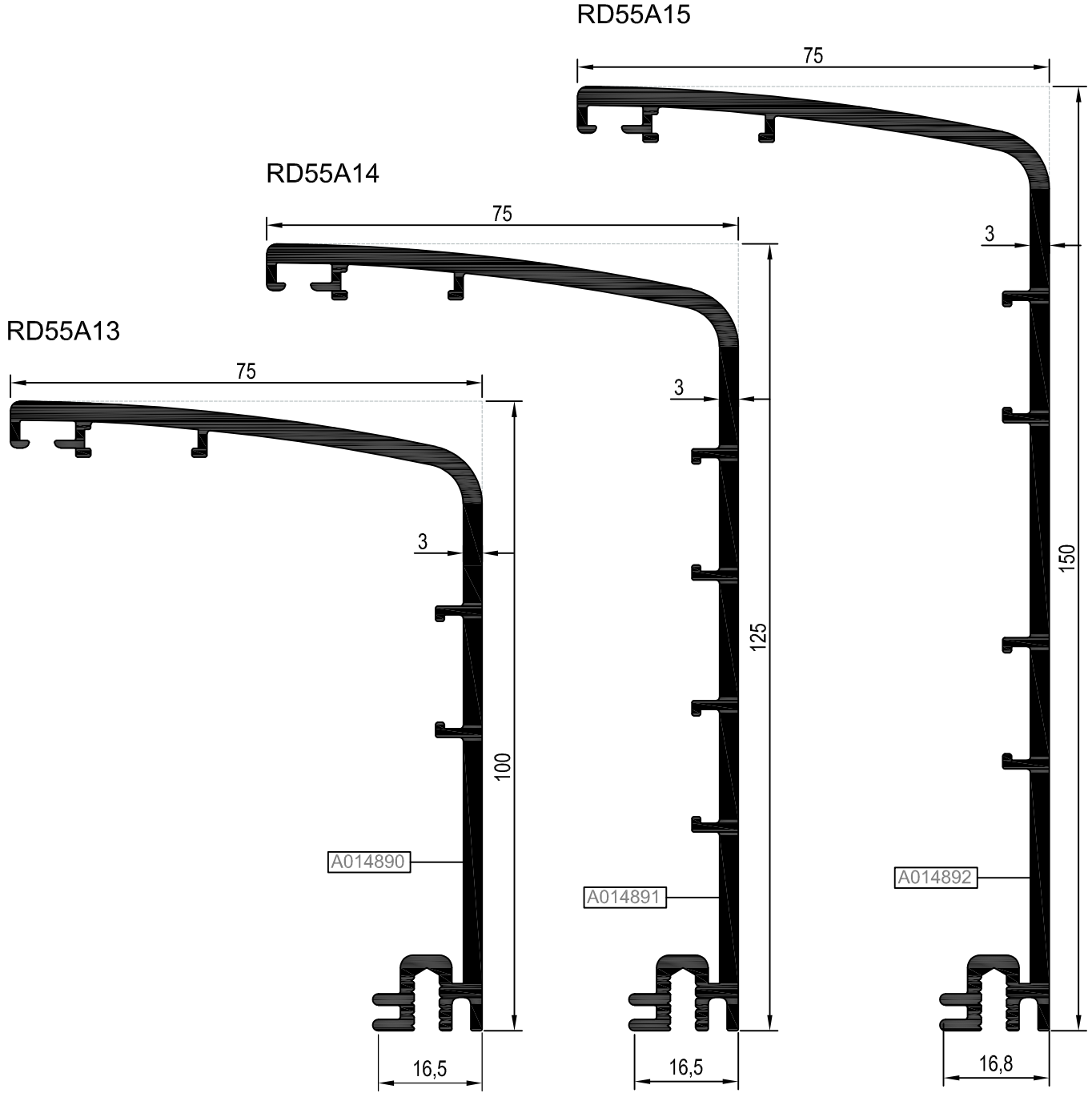


Nr	 L m	KESİM ÖLÇÜSÜ CUTTING SIZE	 AKS. KODU ACS. CODE	
RD55F03	A014895	25L75 (A011839)	44,0 mm	237 L 75

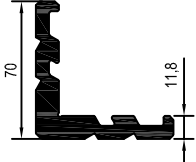
KOD / CODE	AĞIRLIK (kg/m) / WEIGHT	Jxx cm ⁴	Jyy cm ⁴	L m	
RD55A10	1,219	16,348	26,593	6	
RD55A11	1,426	36,929	29,944	6	
RD55A12	1,547	58,222	31,613	6	
RD55V03	0,302	2,872	0,079	6	



KOD / CODE	AĞIRLIK (kg/m) / WEIGHT	Jxx cm ⁴	Jyy cm ⁴	L m	
RD55A13	1,629	75,863	32,592	6	
RD55A14	1,873	134,897	34,859	6	
RD55A15	2,077	213,473	36,460	6	



TAKOZLAR (CLEATS)

PROFİL KODU (PROFILE CODE)	25L75			
FABRİKA KODU (FACTORY CODE)	A011839			
AĞIRLIK (WEIGHT)	3,362 kg/m			
ÇİZİM (DRAWING)				

KÖŞE TAKOZLARI (CORNER CLEATS)

Nr		KESİM ÖLÇÜSÜ CUTTING SIZE	AKS. KODU ACS. CODE	
RD55F03	A014895	25L75 (A011839)	44 mm	237 L 75

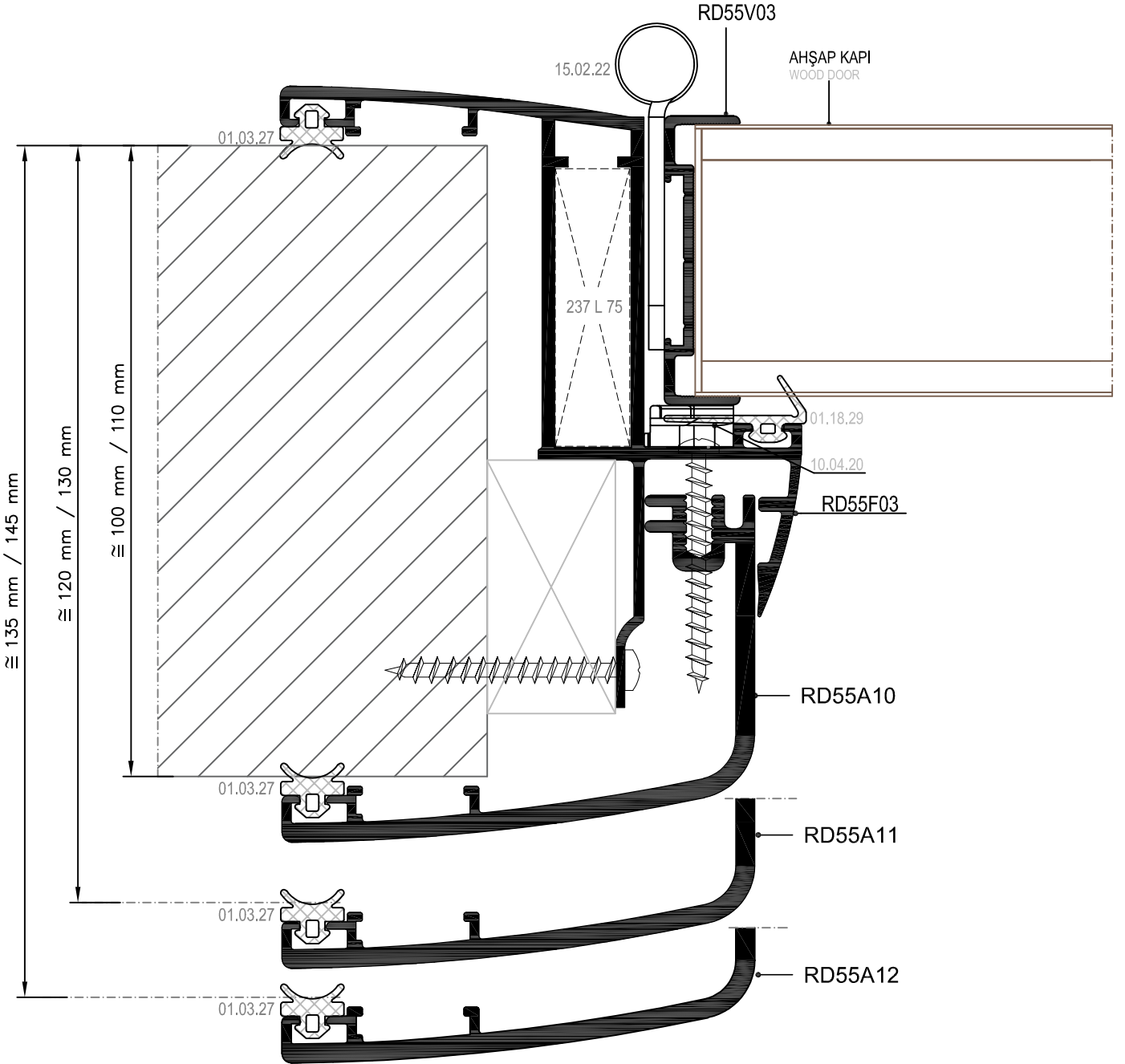
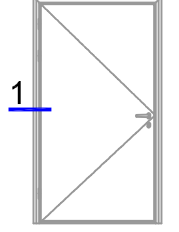
MİMARİ KATALOG
ARCHITECTURAL CATALOGUE

Alüminyum Konvansiyonel Sistemleri
Aluminium Conventional Systems

RD55+

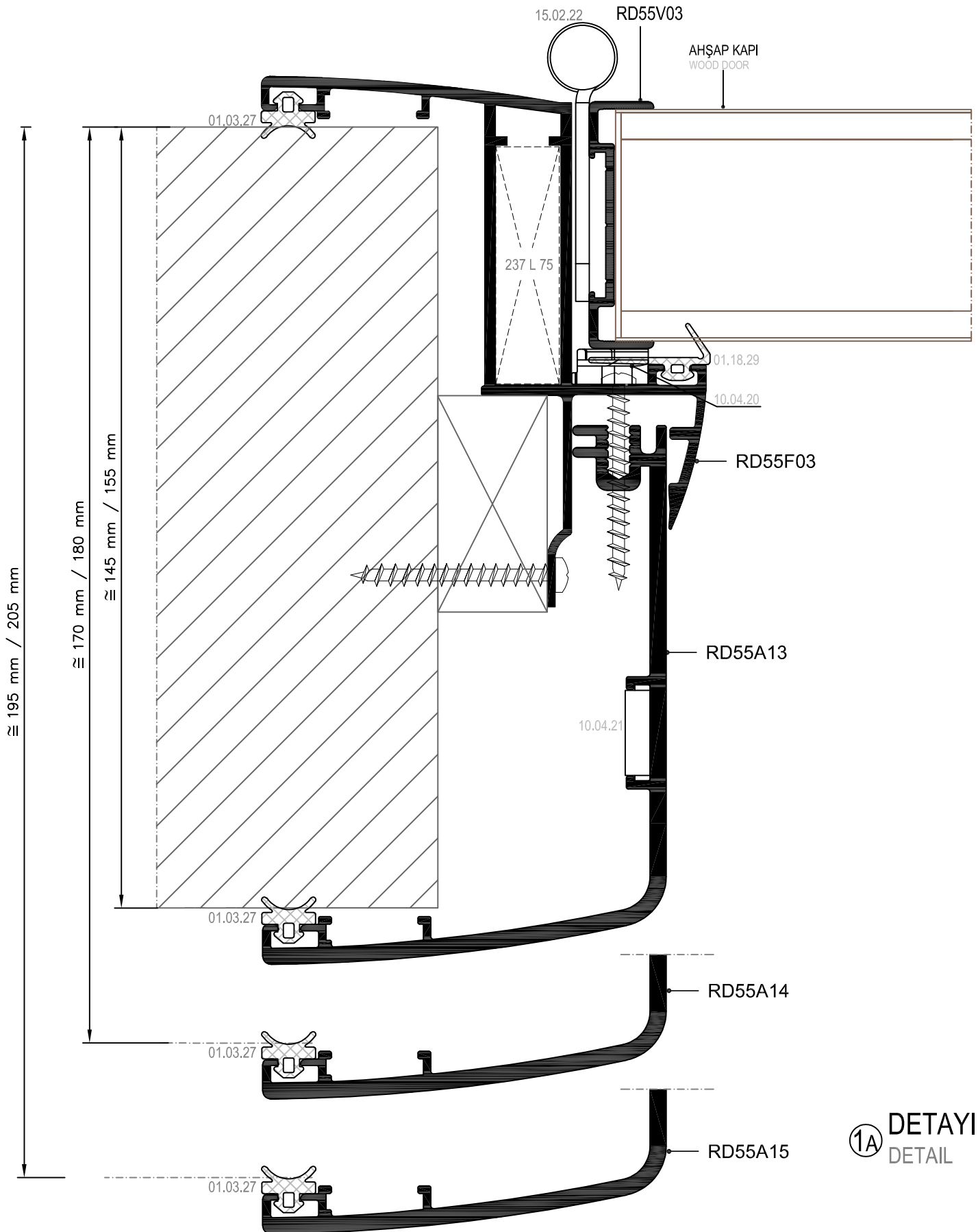
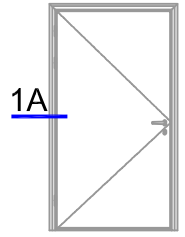
DETAYLAR

DETAILS

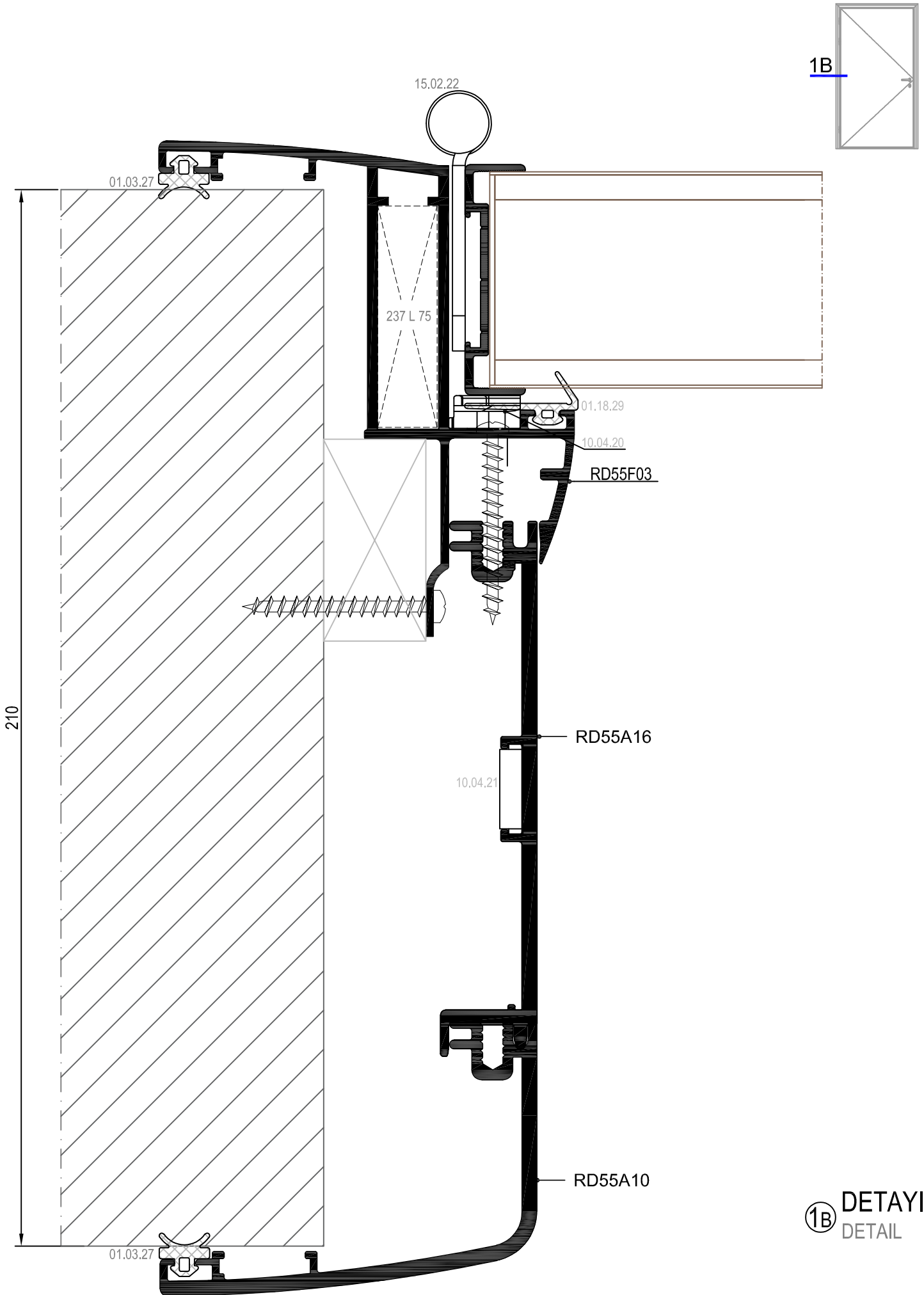


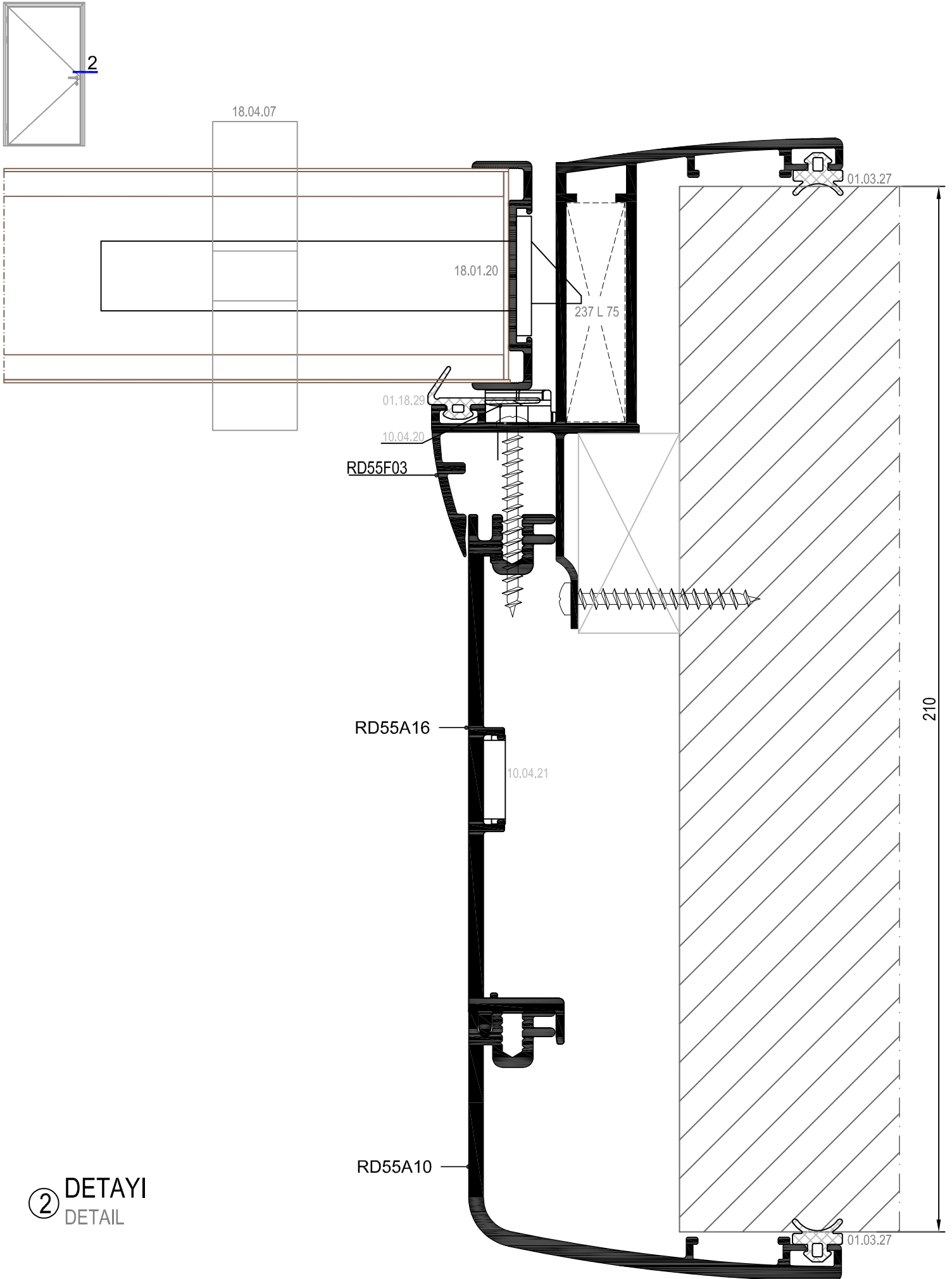
① DETAYI
DETAIL

DUVAR KALINLIĐI WALL THICKNESS	KASA PROFİLİ FRAME PROFILE	PERVAZ PROFİLİ SILL PROFILE	ADAPTÖR PROFİLİ ADAPTER PROFILE
100 mm~110 mm	RD55F03	+ RD55A10	+ ----
120 mm~130 mm	RD55F03	+ RD55A11	+ ----
135 mm~145 mm	RD55F03	+ RD55A12	+ ----
145 mm~155 mm	RD55F03	+ RD55A13	+ ----
170 mm~180 mm	RD55F03	+ RD55A14	+ ----
195 mm~205 mm	RD55F03	+ RD55A15	+ ----
200 mm~210 mm	RD55F03	+ RD55A10	+ RD55A16
220 mm~230 mm	RD55F03	+ RD55A11	+ RD55A16
235 mm~245 mm	RD55F03	+ RD55A12	+ RD55A16
245 mm~255 mm	RD55F03	+ RD55A13	+ RD55A16
270 mm~280 mm	RD55F03	+ RD55A14	+ RD55A16
295 mm~305 mm	RD55F03	+ RD55A15	+ RD55A16

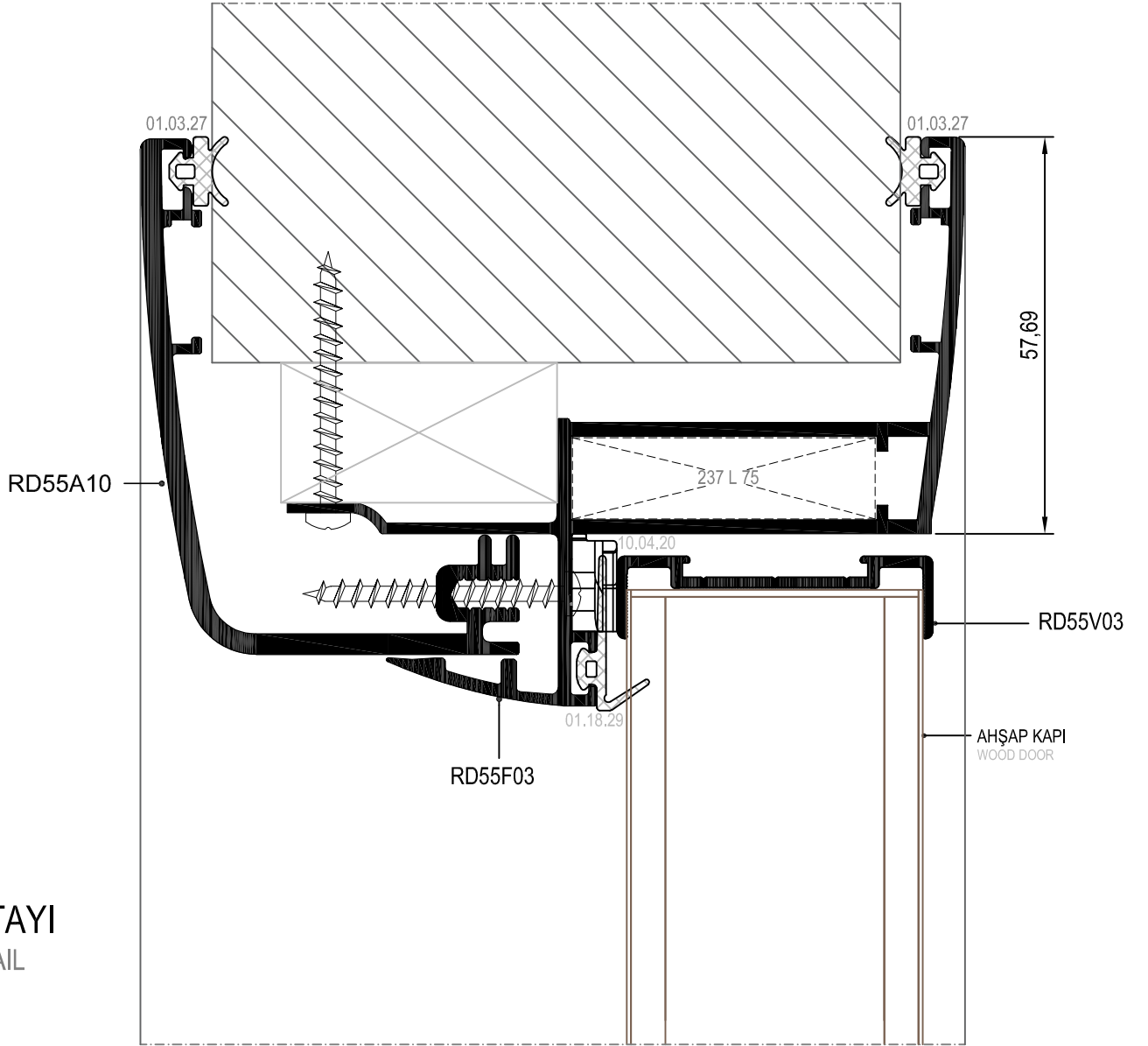
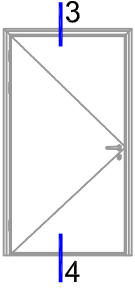


1A DETAYI
DETAIL

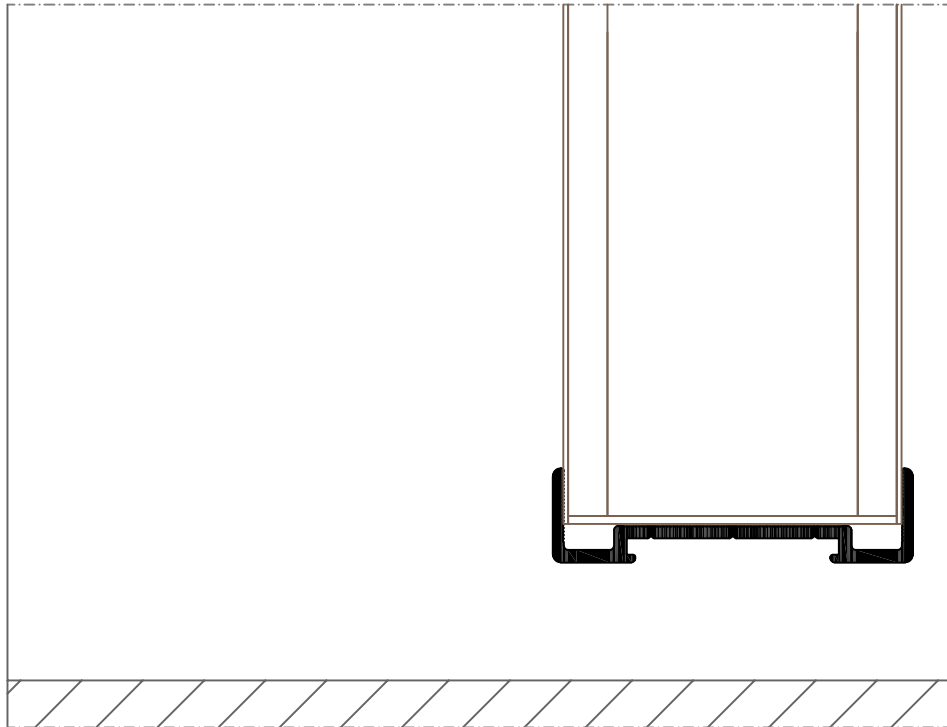




② DETAYI
DETAIL



③ DETAYI
DETAIL



④ DETAYI
DETAIL

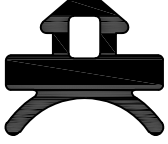
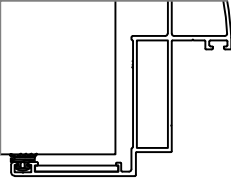
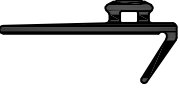
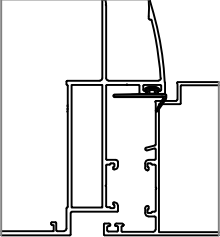

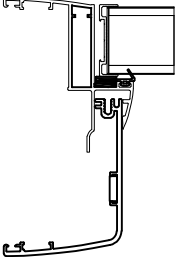
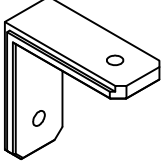
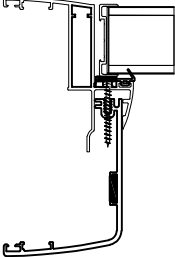

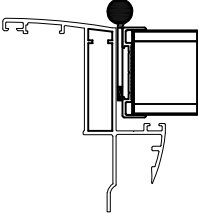
MİMARİ KATALOG
ARCHITECTURAL CATALOGUE

Alüminyum Konvansiyonel Sistemleri
Aluminium Conventional Systems

RD55+

AKSESUARLAR

ACCESSORIES

	<p>01.03.27</p> <p>BİNİ FİTİLİ ACOUSTICAL GASKET</p> <p>Malzeme / Material : EPDM Ağırlık / Weight : 62 gr/m Paket / Package: 242m / 15 kg</p>				
	<p>01.18.29</p> <p>BİNİ FİTİLİ ACOUSTICAL GASKET</p> <p>Malzeme / Material : EPDM Ağırlık / Weight : 64 gr/m Paket / Package: 234 m / 15 kg</p>				
	<p>10.04.20</p> <p>KÖŞE BAĞLANTI CORNER CONNECTION PIECE</p>				
	<p>10.04.21</p> <p>KÖŞE BAĞLANTI CORNER CONNECTION PIECE</p>				
	<p>15.02.22</p> <p>KAPI MENTEŞESİ HINGE FOR DOOR</p>				

KAPI KOLLARI / DOOR HANDLES



07.14.07

RESCARA GLOBAL KAPI KOLU
RESCARA GLOBAL DOOR HANDLE

Renk / Colour : Siyah-Beyaz-Gri
Black-White-Grey



07.14.08

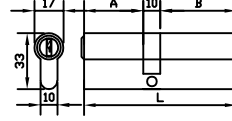
RESCARA MULETA KAPI KOLU
RESCARA GLOBAL DOOR HANDLE

Renk / Colour : Siyah-Beyaz-Gri
Black-White-Grey



18.01.20

SİLİNDİRLİ GÖMME KİLİT
MORTISE LOCK WITH CYLINDER

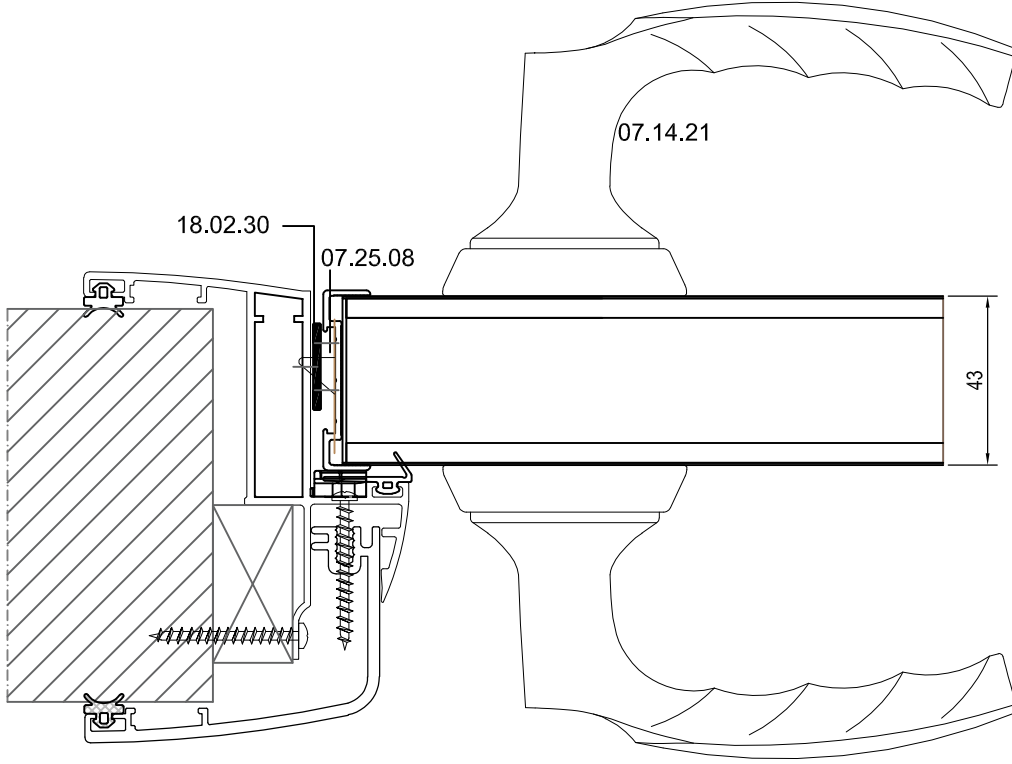


18.04.07

BAREL
CYLINDER

Malzeme / Material : Krom-Nikel / Chrome-Nickel

A	B	L
26	26	62



07.14.21

HOPPE ATLANTA KAPI KOLU
HOPPE ATLANTA DOOR HANDLE

Renk / Colour : Siyah-Gri
Black-Grey



07.25.08

HOPPE HCS DİL SETİ
HOPPE MORTISE LOCKING SET

Renk / Colour : Paslanmaz çelik



18.02.30

HOPPE KASA KARŞILIĞI
HOPPE STRIKER FOR FRAME



18.04.28

HOPPE ÇİFTLİ KİLİT SİLİNDİRİ
HOPPE DOUBLE LOCK CYLINDER



18.04.29

HOPPE TEKLİ KİLİT SİLİNDİRİ
HOPPE SINGLE LOCK CYLINDER

18.04.30 KODLU MANDAL İLE BİRLİKTE KULLANILMALIDIR.



18.04.30

HOPPE MANDAL
HOPPE LATCH

18.04.29 KODLU SİLİNDİR İLE BİRLİKTE KULLANILMALIDIR.